



Trellis

Assembly Instruction Manual

Please read instructions thoroughly before beginning assembly.

Check boxes carefully for contents listed. Some parts are packaged inside of others.

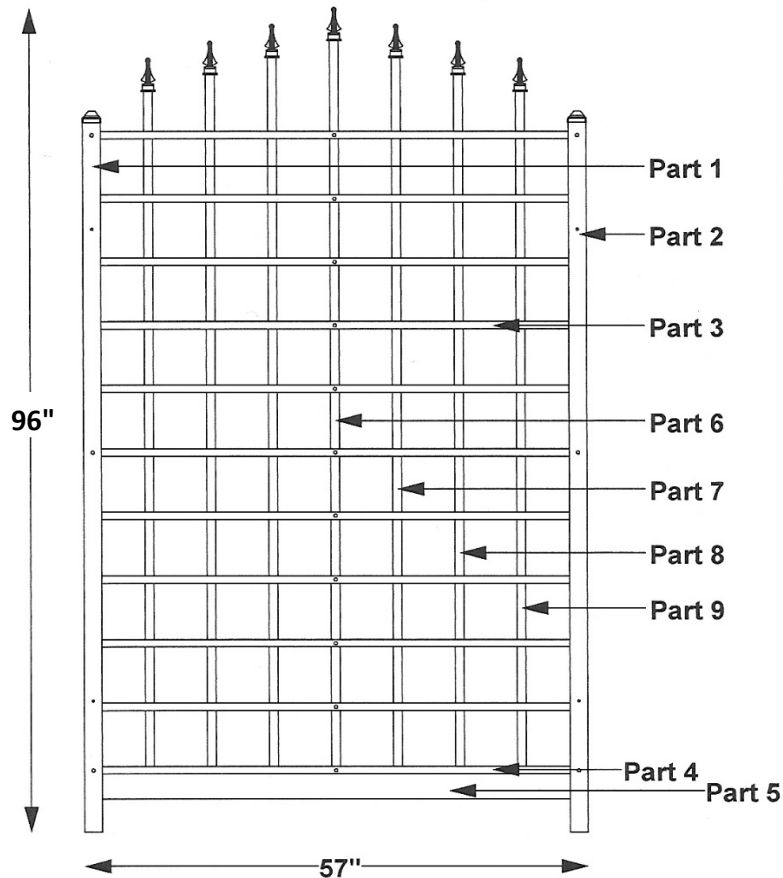
Assemble on a clean, flat, non-abrasive surface to prevent scratching.

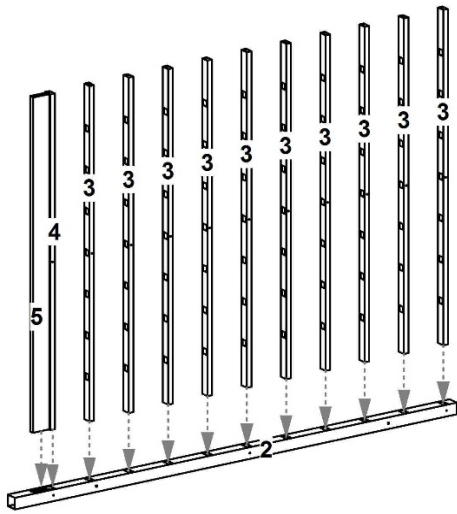
In the event of missing or damaged parts please call or email our customer service department at the contact info below.

Tools Required

- Battery or Electric Drill (#2 phillips bit)
- Tape Measure
- Hammer or Rubber Mallet (Recommended)
- Shovel or Post Hole Digger (Recommended)
- PVC, Super or Crazy Glue

Part #	Description	Dimension	Box #	Qty
1	Left Post	2" sq. x 84"	1	1
2	Right Post	2" sq. x 84"	1	1
3	Center Cross Rail	$\frac{7}{8}$ " x 1 $\frac{1}{2}$ " x 56 $\frac{3}{4}$ "	1	10
4	Bottom Cross Rail	$\frac{7}{8}$ " x 1 $\frac{1}{2}$ " x 56 $\frac{3}{4}$ "	1	1
5	Vertical Rail	$\frac{7}{8}$ " x 3" x 56 $\frac{3}{4}$ "	1	1
6	Vertical Rail	1" x 1" x 84"	1	1
7	Vertical Rail	1" x 1" x 82"	1	2
8	Vertical Rail	1" x 1" x 80"	1	2
9	Vertical Rail	1" x 1" x 78"	1	2
10	Hardware Bag (Includes):		1	1
	▪ Post Cap	2" square		2
	▪ Arrowhead Cap	1" x 1"		7
	▪ Painted Screw	$\frac{3}{4}$ "		17
11	Wall Mount Bag (Includes):		1	1
	▪ Spacer Tube	$\frac{3}{4}$ " x 2 $\frac{1}{2}$ "		4
	▪ Screw	#10 – 6"		4
	▪ Screw Cap	#10		4
	▪ Screw Backer	#10		4

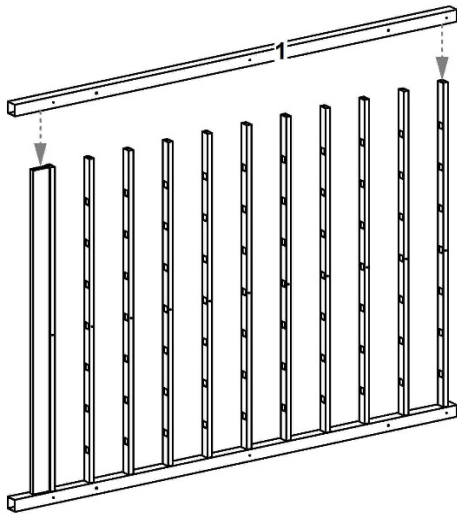




1

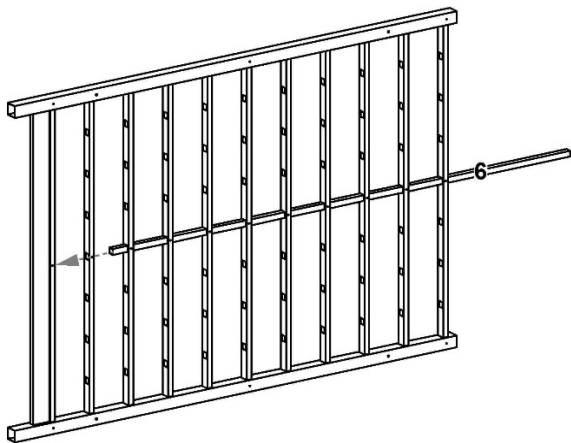
Lay out one right post (part 2). Starting at bottom, insert bottom support rail (part 5), bottom cross rail (part 4) and center cross rails (part 3).

NOTE: Make sure all pilot holes are towards the back of the trellis.



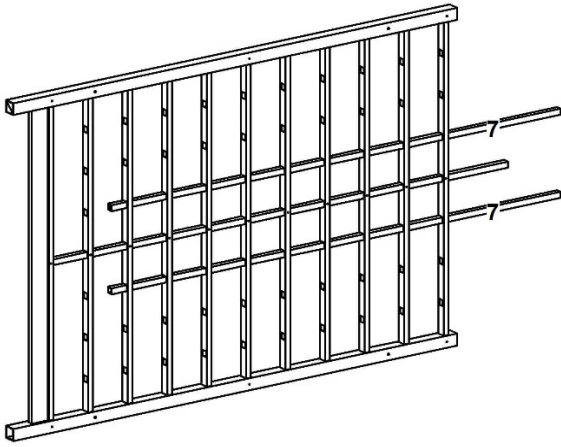
2

Slide left post (part 1) over corresponding support and cross rails.



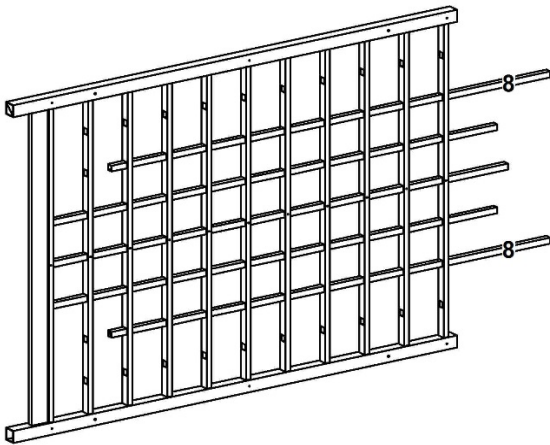
3

Starting with center hole, insert 84" vertical rail (part 6) through cross rails.



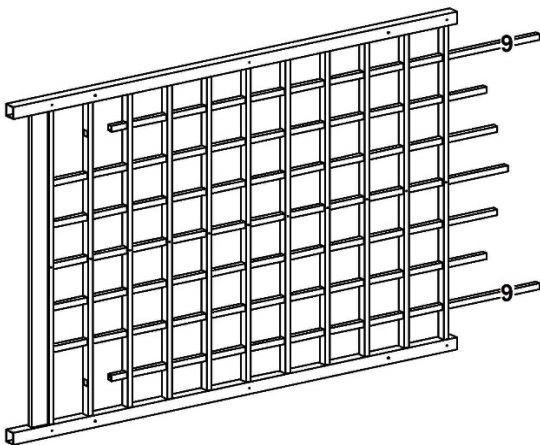
4

Working outward away from center, insert 82" vertical rails (part 7) through cross rails.



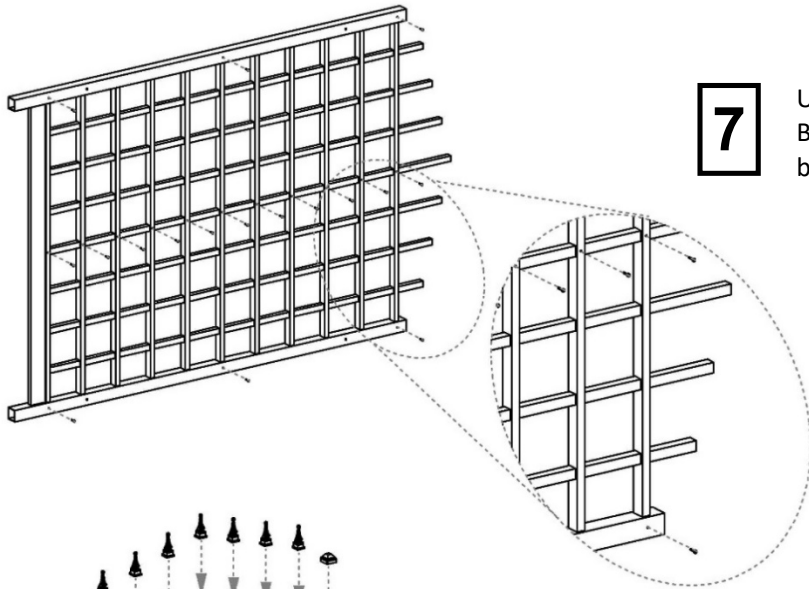
5

Insert 80" vertical rails (part 8) through cross rails.



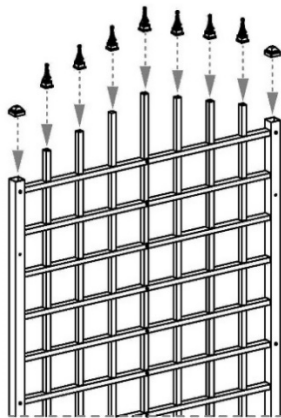
6

Insert 78" vertical rails (part 9) through cross rails.



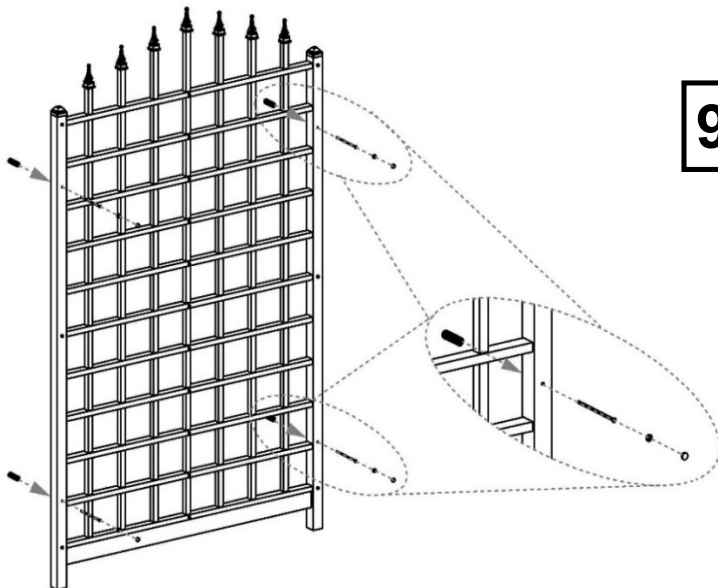
7

Using 3/4" painted screws, screw together trellis. Be sure that all parts are fully inserted into posts before securing.



8

Using PVC, super or crazy glue, glue post caps onto posts and arrowhead caps onto vertical rails.



9

To secure to wall, slide 6" screw through clear screw backer. Insert screw through pre-drilled hole in post. To set trellis away from wall, slide screw through spacer tube. After securing, snap screw cap over the screw backer.

NOTE: The wall mounting screws included will not fasten to stone, brick or concrete walls.

Warranty Statement

20 Year Guarantee

CONDITIONS NOT COVERED BY THIS WARRANTY:

- A. Physical abuse, misuse, neglect, or improper storage.
- B. Improper installation or installation not in strict adherence to the instructions written.
- C. This warranty does not apply if materials are painted, varnished, or coated with any substance.
- D. We are not responsible for damages to product during shipping.
- E. Damage attributable to atmospheric pollutants, hail, lightning, hurricane, tornado, wind borne objects, earthquake, fire, mildew, casualty, act of God, building or ground settlement, or subjection to stress or weight.