

# ASSEMBLY INSTRUCTION

Thank you for purchasing this quality product. Be sure to check all packing material carefully for small parts which may have come loose inside the carton during shipment. Separate, identify and count all parts and hardware. Compare with the parts list to be sure all parts are present.

**IMPORTANT : PLEASE READ INSTRUCTION BEFORE STARTING THE ASSEMBLY.**

**"DO NOT TIGHTEN SCREWS UNTIL COMPLETELY ASSEMBLED"**

**"DO NOT OVERTIGHT ANY HARDWARE"**

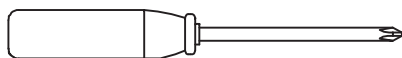
**WARNING : SMALL PARTS AND HARDWARE NOT FOR CHILDREN UNDER 3 YEARS. ADULT ASSEMBLY REQUIRED.**

## TABLE OF CONTENTS

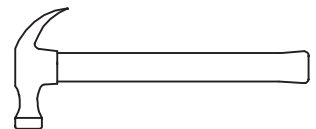
HARDWARES LIST	PAGE 2 - 3
PARTS LIST	PAGE 3 - 5
PARTS' LOCATION	PAGE 6 - 7
ASSEMBLY STEPS	PAGE 6 - 17
ASSEMBLY COMPLETED	PAGE 17

## ASSEMBLY TOOLS REQUIRED

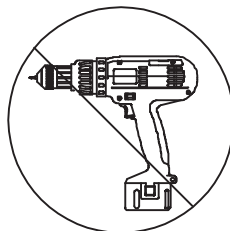
1. Screwdriver (not provide)



2. Hammer (not provide)



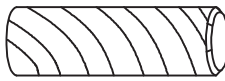
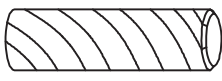
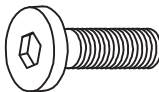
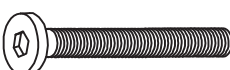





Skip the power trip this time.



# ASSEMBLY INSTRUCTION



## HARDWARES LIST

ITEM	DESCRIPTION	DRAWING	QTY
A	MINIFIX CAM LOCK		12 PCS
B	MINIFIX CAM BOLT		12 PCS
C	WOOD DOWEL (M8 x 30MM)		12 PCS
D	WOOD DOWEL (M6 x 30MM)		16 PCS
E	JCBC SCREW M8 x 20MM		8 PCS
F	JCBC SCREW M6 x 50MM		30 PCS
G	SPRING WASHER M6 x 13MM		23 PCS
H	FLAT WASHER M6 x 19MM		23 PCS
I	CSK C/B SCREW (M4 x 32MM)		6 PCS

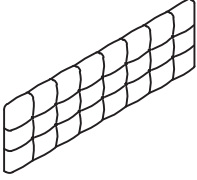
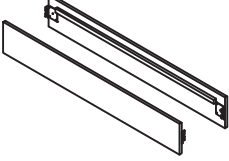
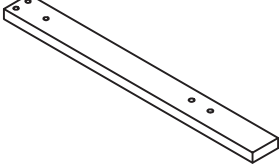
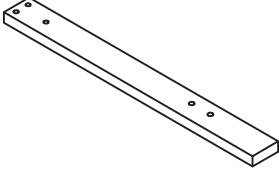
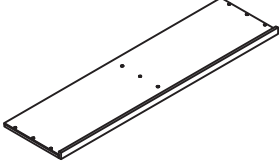
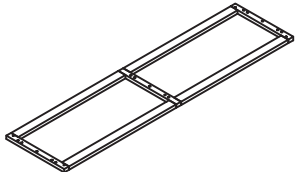
MORE HARDWARES DETAIL IN NEXT PAGE...

# ASSEMBLY INSTRUCTION

## HARDWARES LIST

ITEM	DESCRIPTION	DRAWING	QTY
J	M4 ALLEN KEY (100MM)		1 PC
K	M5 ALLEN KEY (65MM)		1 PC

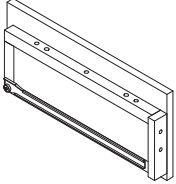
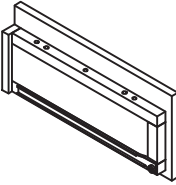
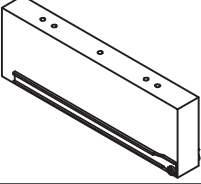
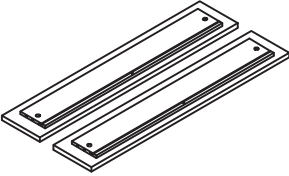
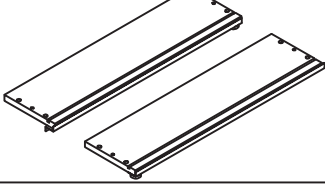
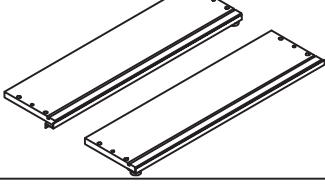
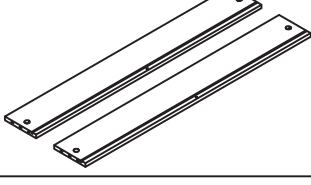
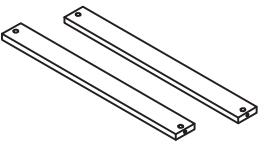
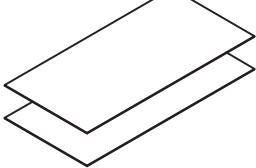
## PARTS LIST

ITEM	DESCRIPTION	DRAWING	QTY
1	HEADBOARD		1 PC
2	SIDE RAIL		2 PCS
3	HEADBOARD LEG WITH LABEL "L"		1 PC
4	HEADBOARD LEG WITH LABEL "R"		1 PC
5	FOOTBOARD TOP PANEL		1 PC
6	FOOTBOARD BOTTOM PANEL		1 PC

MORE PARTS DETAIL IN NEXT PAGE...

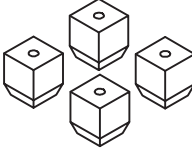

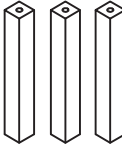
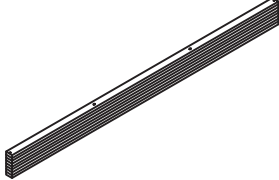
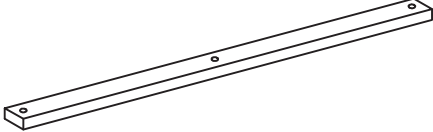
# ASSEMBLY INSTRUCTION

## PARTS LIST

ITEM	DESCRIPTION	DRAWING	QTY
7	FOOTBOARD SIDE PANEL LEFT		1 PC
8	FOOTBOARD SIDE PANEL RIGHT		1 PC
9	FOOTBOARD CENTER PANEL		1 PC
10	DRAWER HEAD		2 PCS
11	DRAWER SIDE LEFT		2 PCS
12	DRAWER SIDE RIGHT		2 PCS
13	DRAWER BACK		2 PCS
14	DRAWER SUPPORT		2 PCS
15	DRAWER PANEL		2 PCS

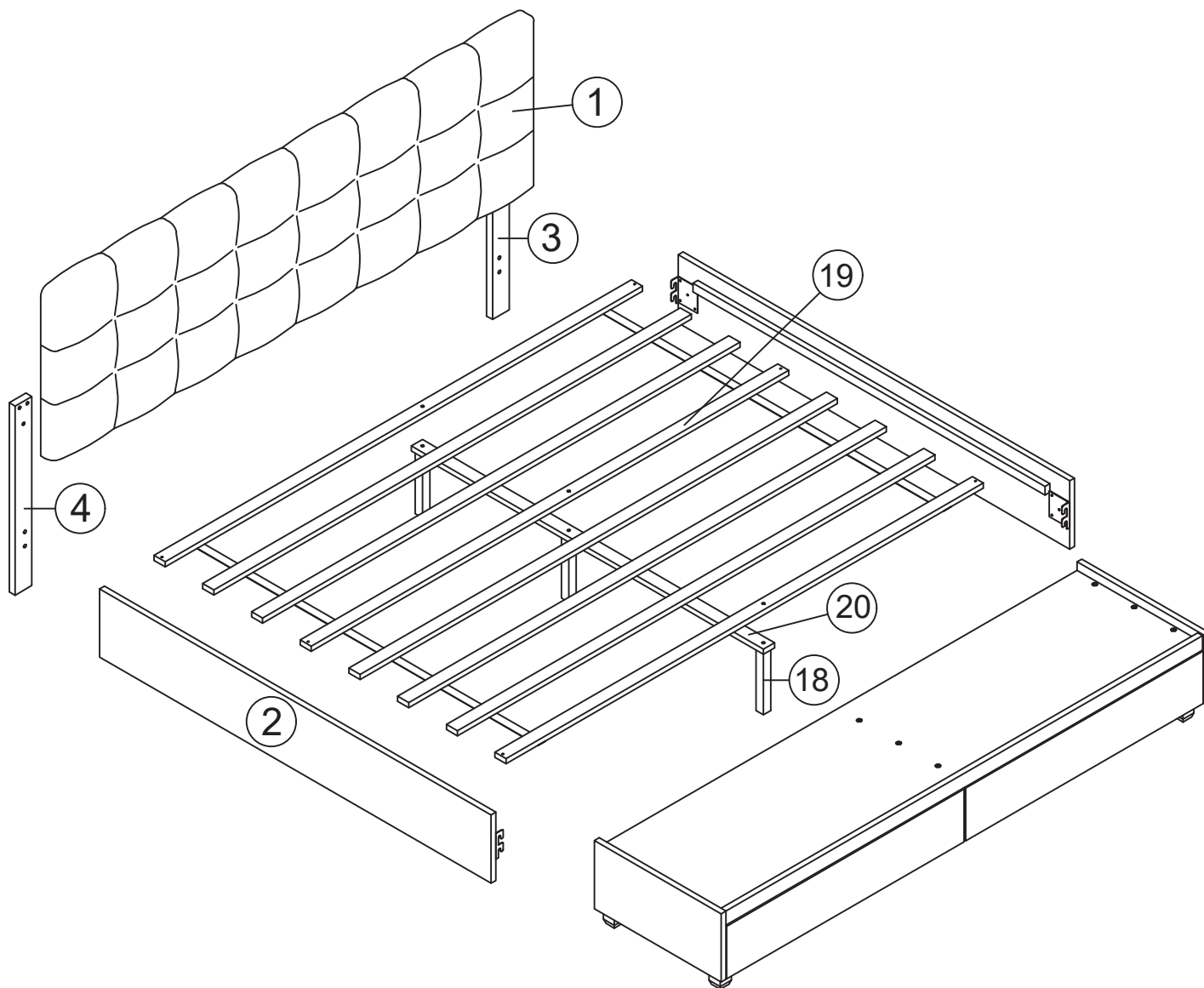
# ASSEMBLY INSTRUCTION

## PARTS LIST

ITEM	DESCRIPTION	DRAWING	QTY
16	FOOTBOARD LEG		4 PCS
17	DRAWER SUPPORT LEG		1 PCS
18	SUPPORT LEG		3 PCS
19	SLAT (8PCS)		8 PCS
20	CENTER RAIL		1 PC

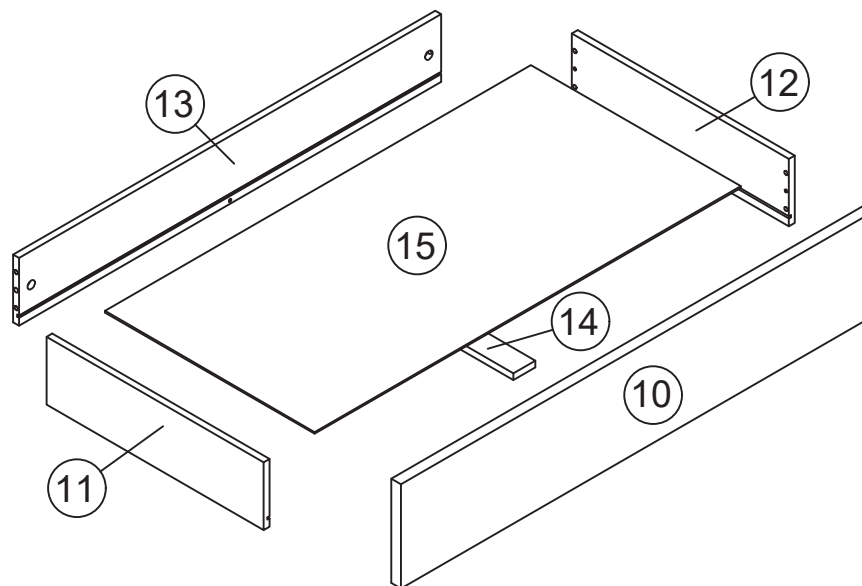
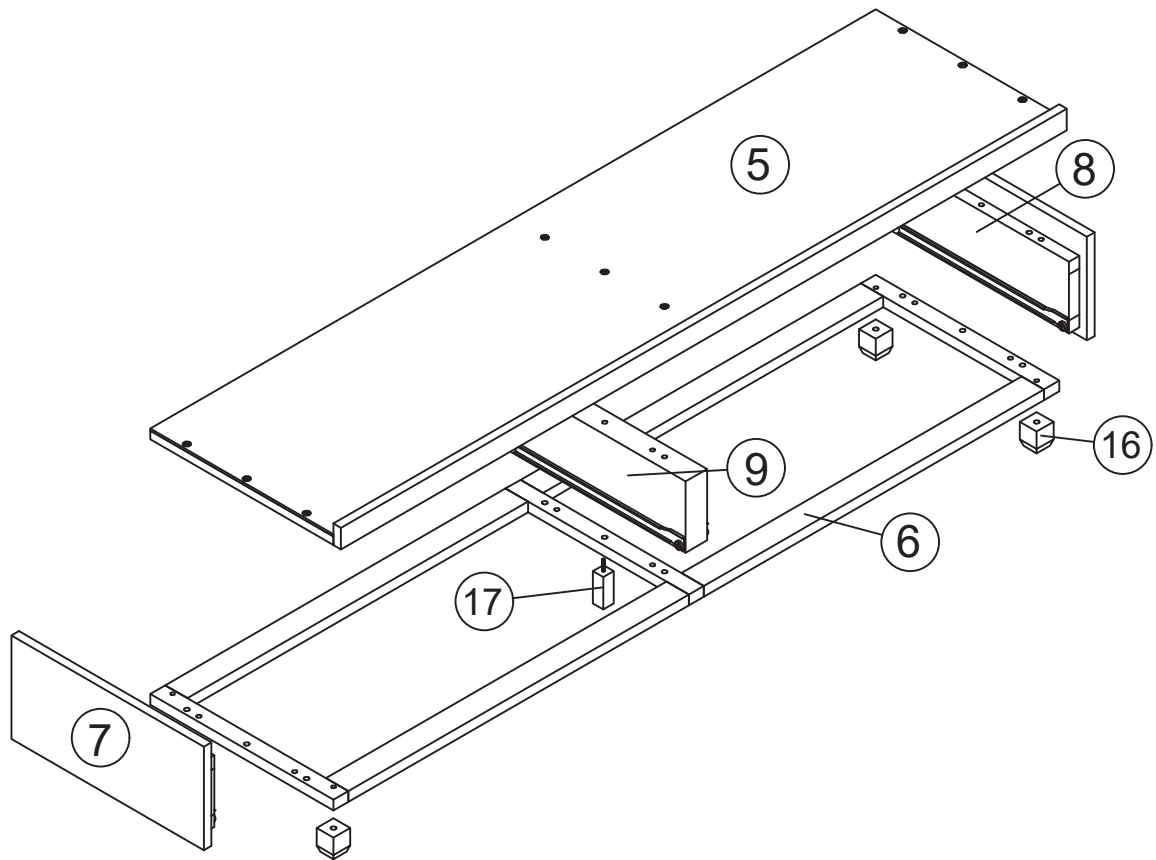
# ASSEMBLY INSTRUCTION

## PARTS ' LOCATION



# ASSEMBLY INSTRUCTION

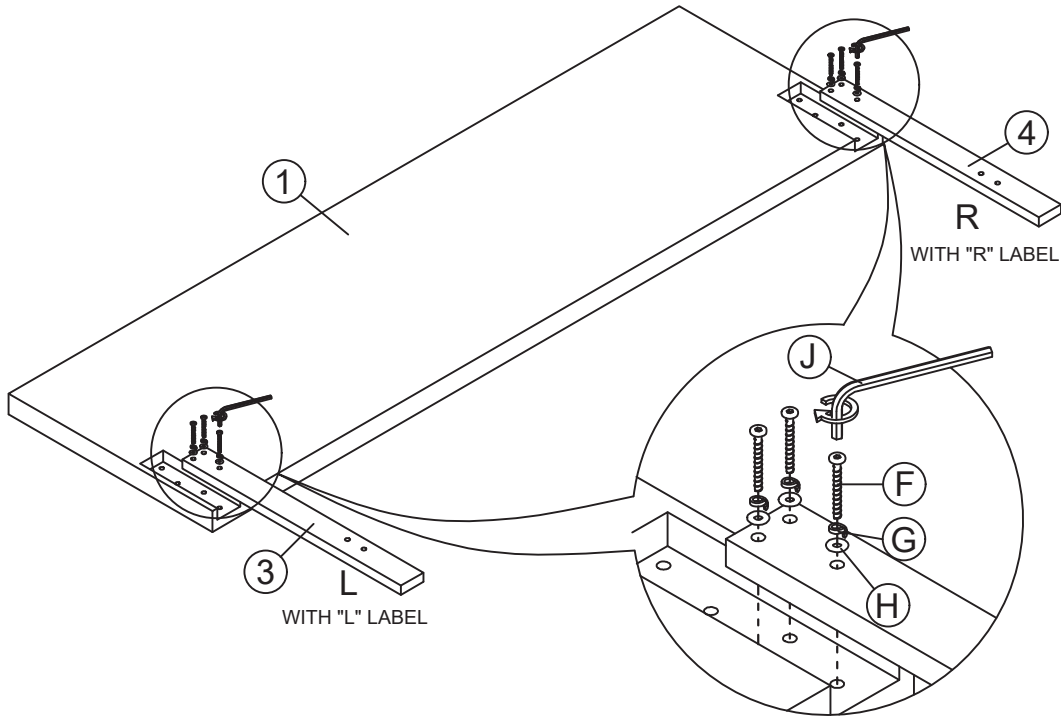
## PARTS ' LOCATION



# ASSEMBLY INSTRUCTION

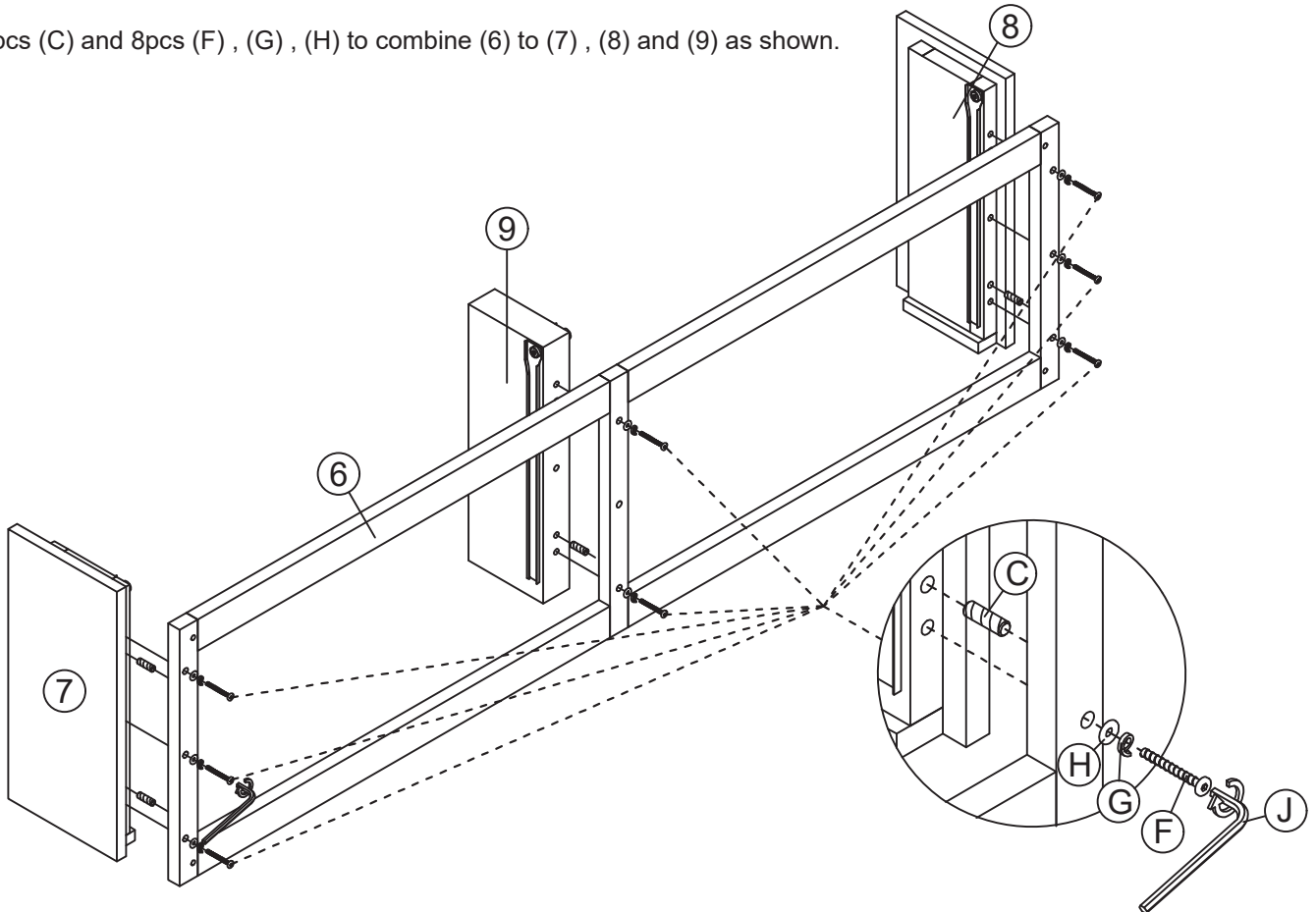
## STEP 1

Insert 6pcs (F) , (G) and (H) to combine (3) and (4) to the (1) as shown.



## STEP 2

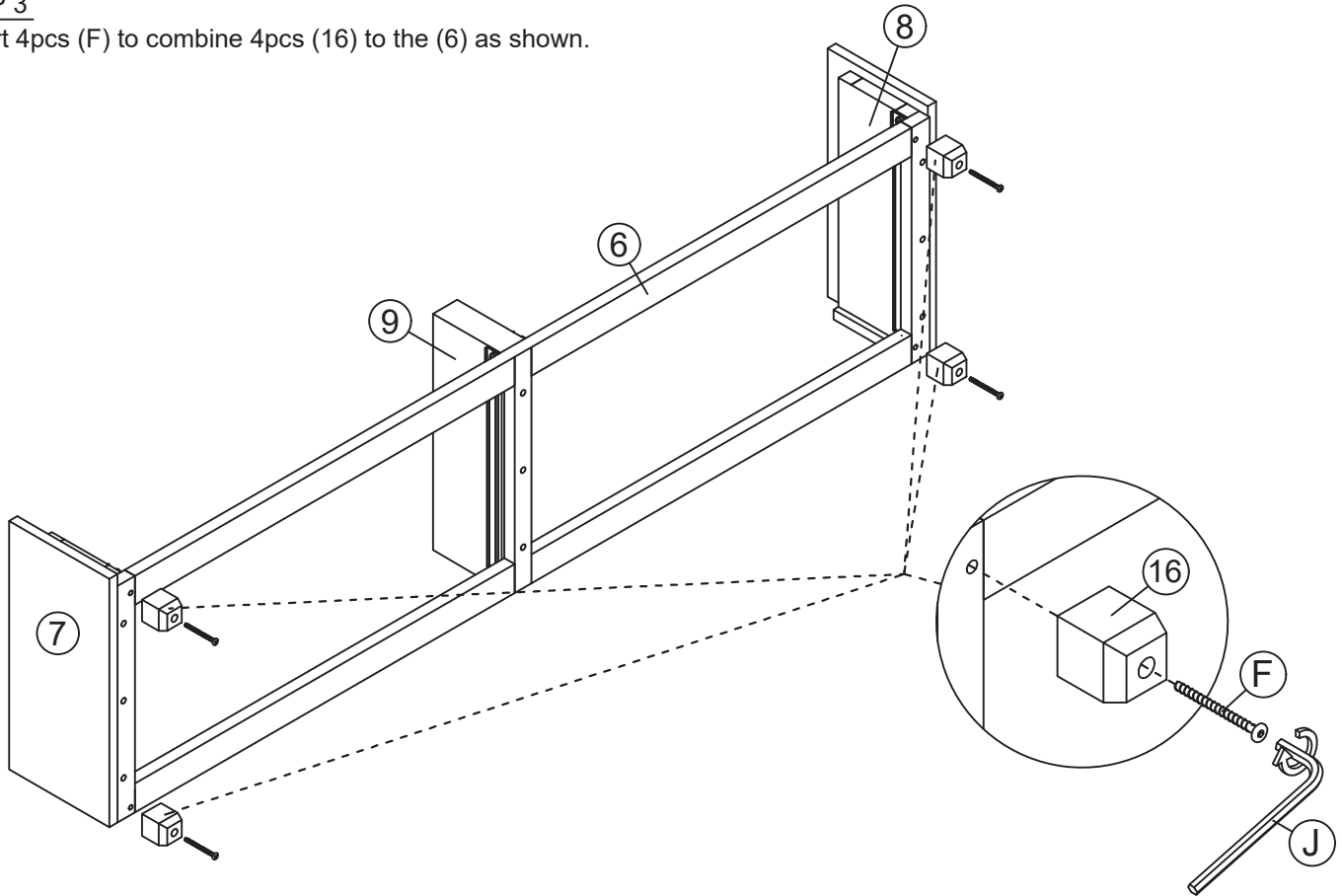
Insert 6pcs (C) and 8pcs (F) , (G) , (H) to combine (6) to (7) , (8) and (9) as shown.



# ASSEMBLY INSTRUCTION

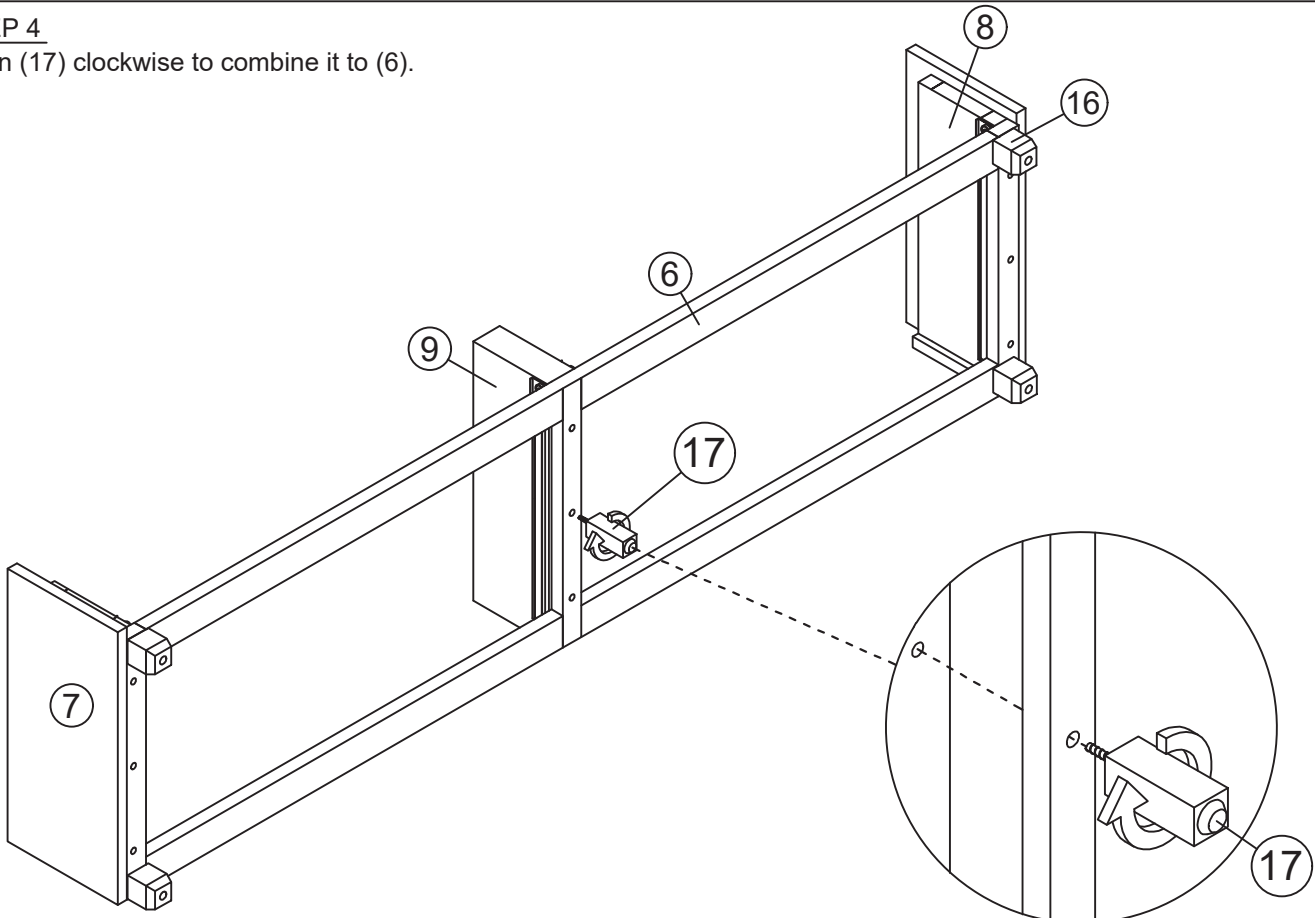
## STEP 3

Insert 4pcs (F) to combine 4pcs (16) to the (6) as shown.



## STEP 4

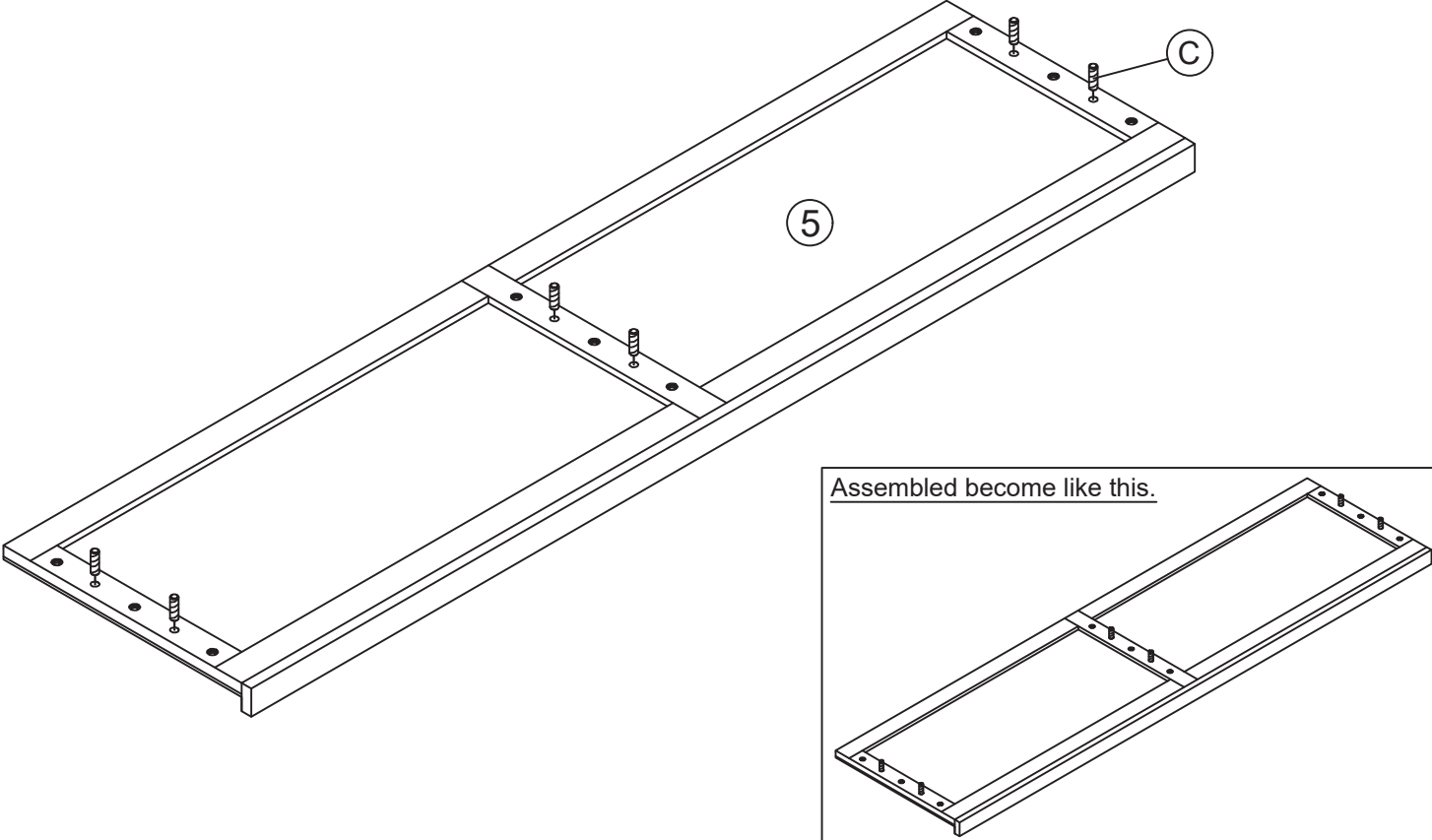
Turn (17) clockwise to combine it to (6).



# ASSEMBLY INSTRUCTION

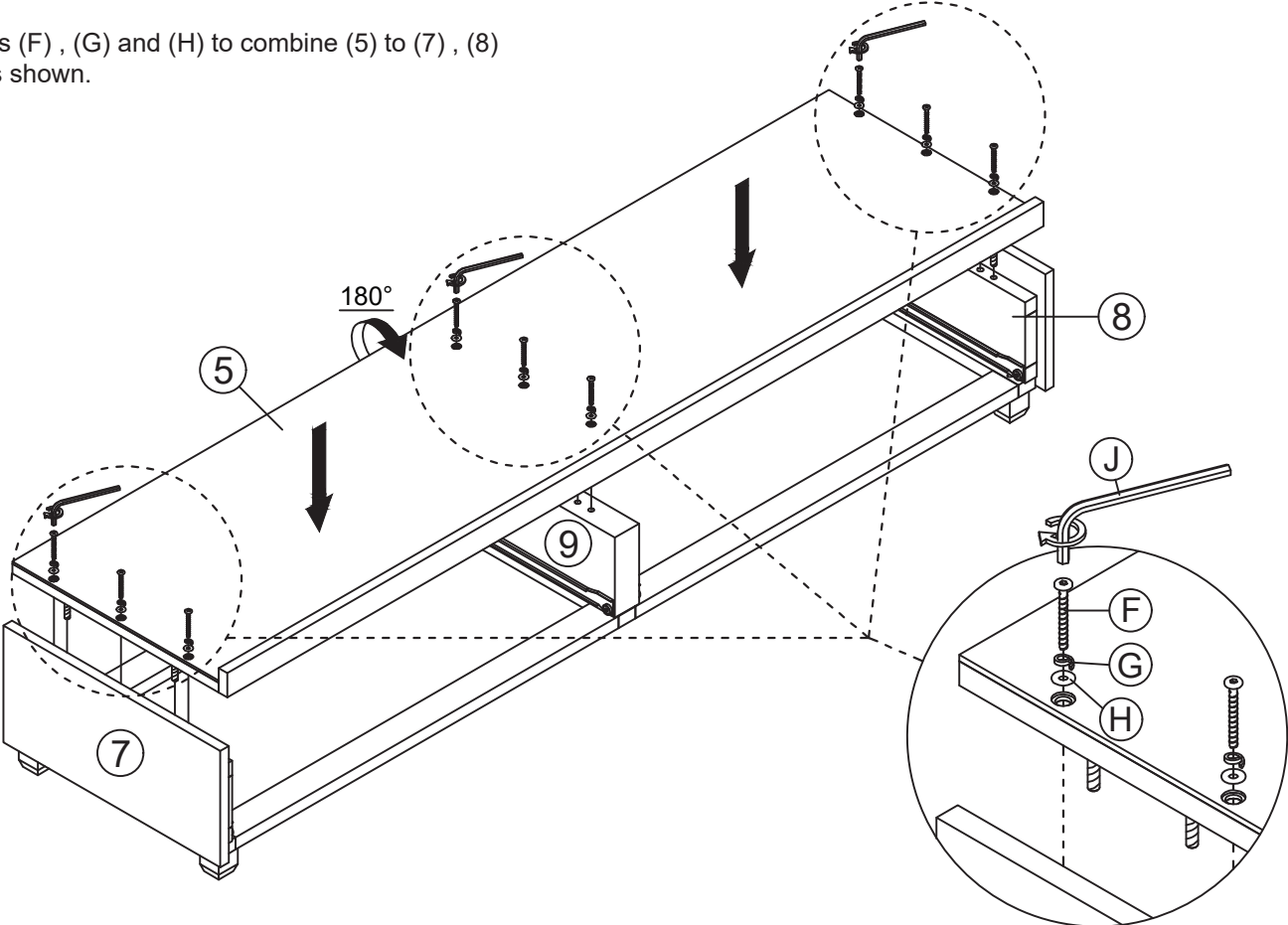
## STEP 5

Insert 6pcs (C) to the (5) as shown.



## STEP 6

Insert 9pcs (F) , (G) and (H) to combine (5) to (7) , (8) and (9) as shown.

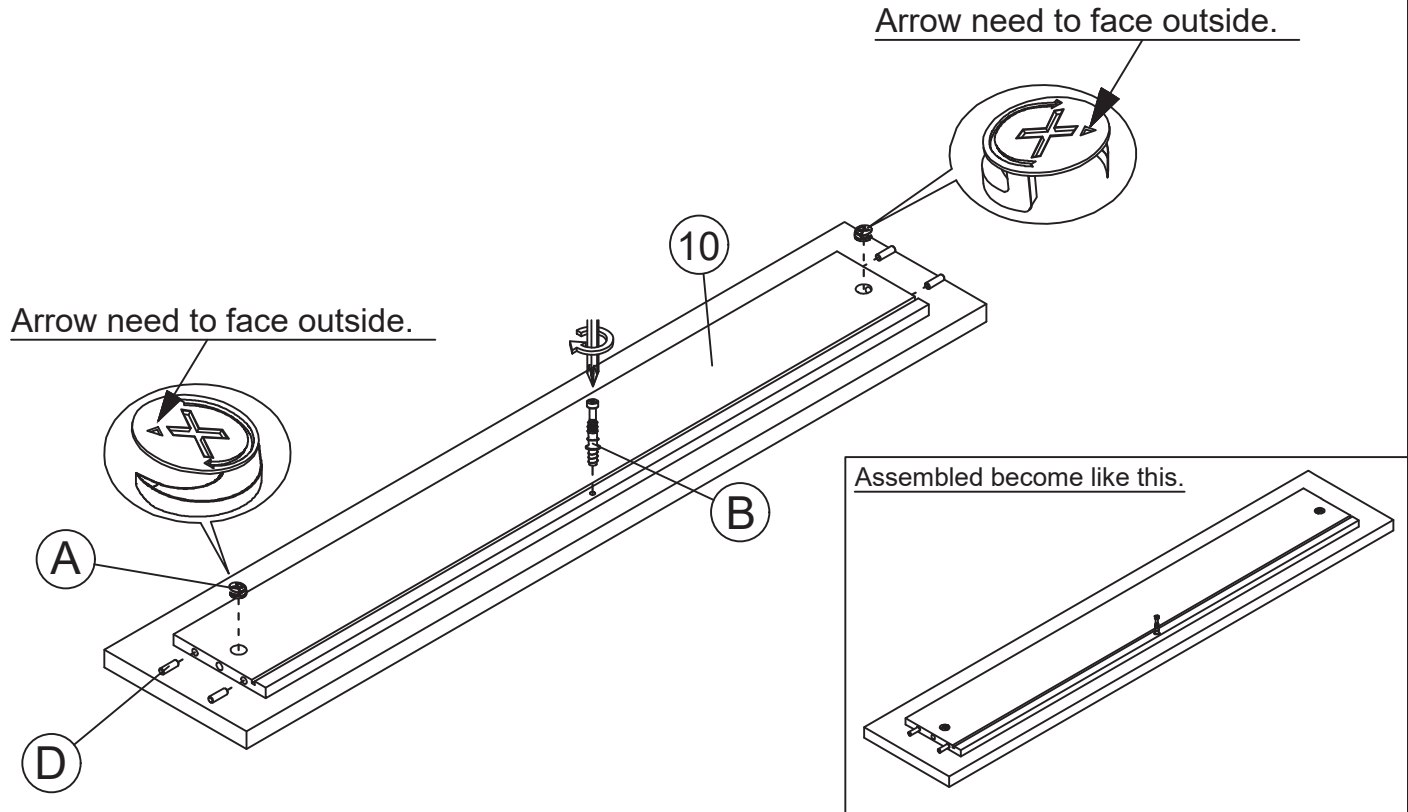


# ASSEMBLY INSTRUCTION

## ASSEMBLY STEPS

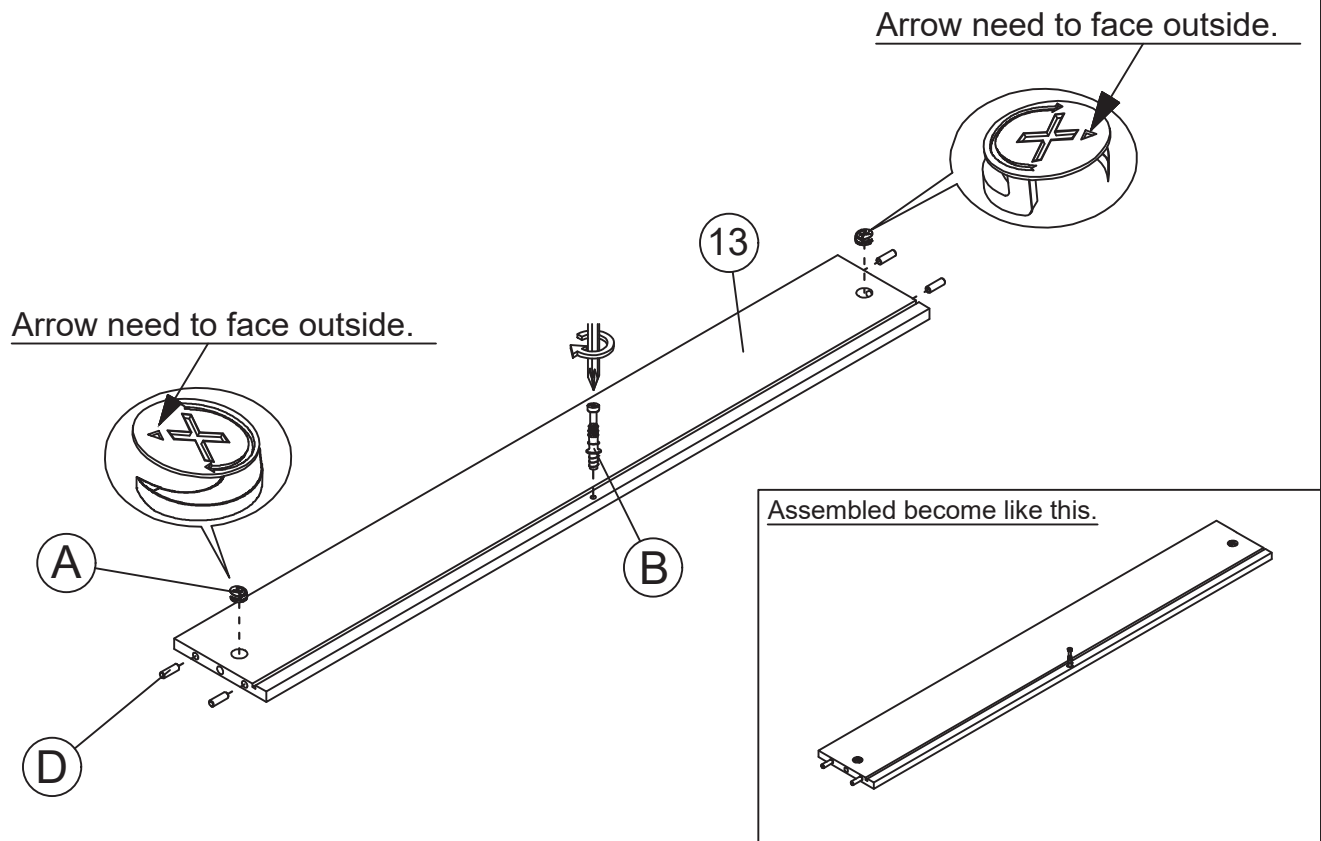
### STEP 7

Insert 2pcs (A), 1pc (B) and 4pcs (D) to the (10) as shown. This step needs to be **done twice time**.



### STEP 8

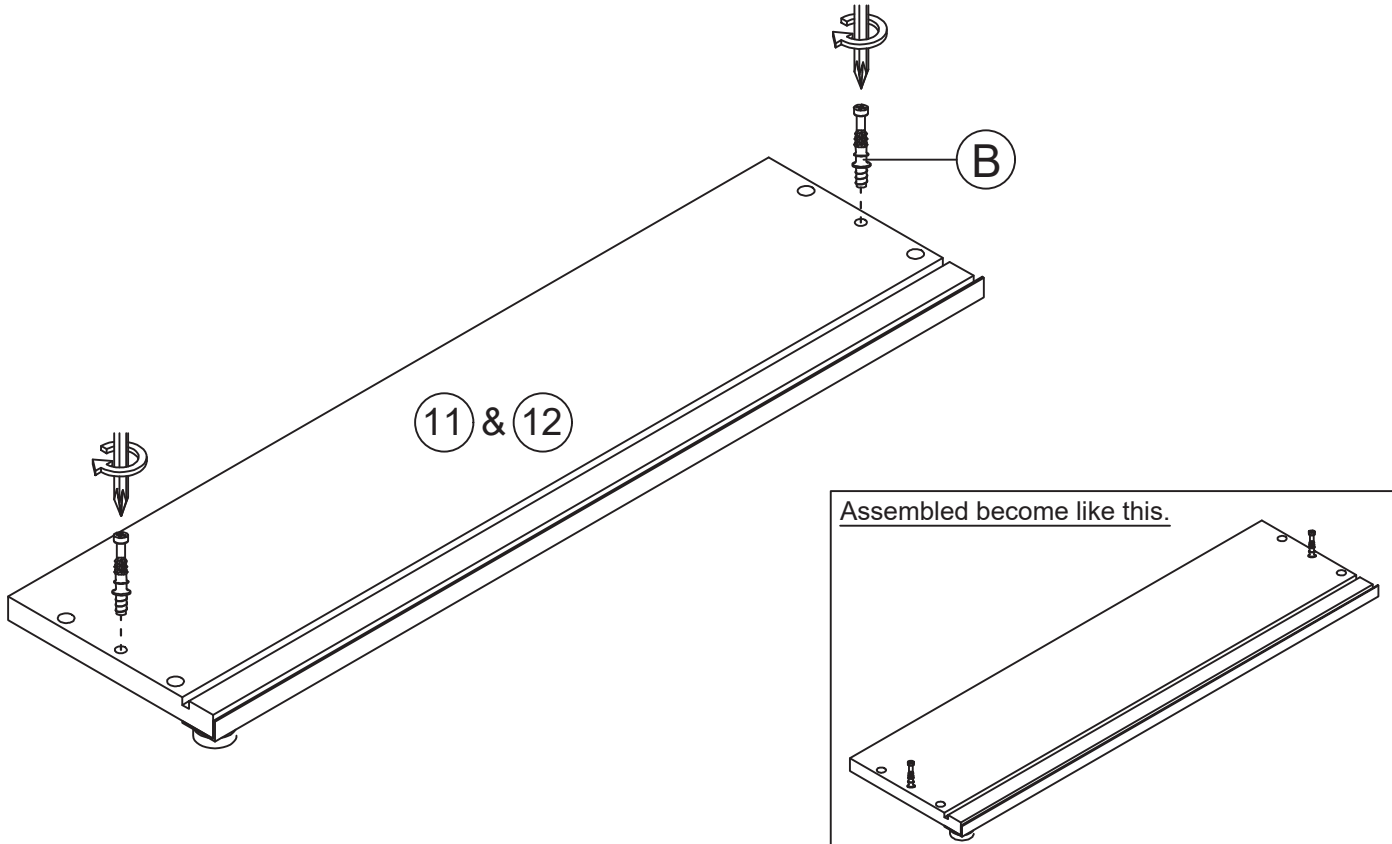
Insert 2 pieces (A), 1pc (B) and 4pcs (D) to the (13) as shown. This step needs to be **done twice time**.



# ASSEMBLY INSTRUCTION

## STEP 9

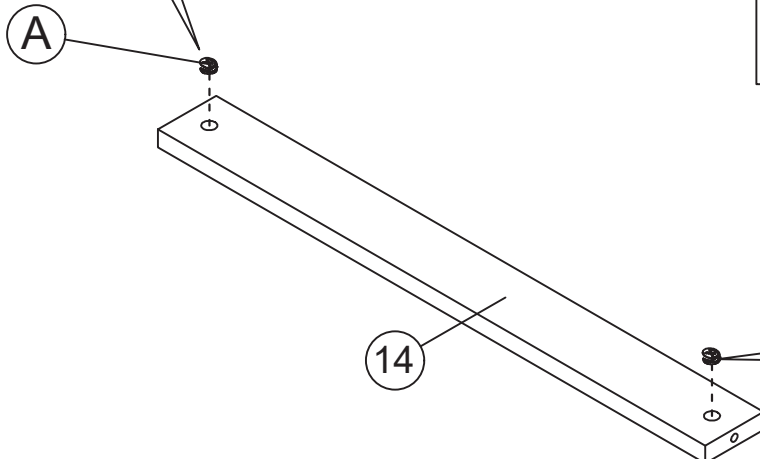
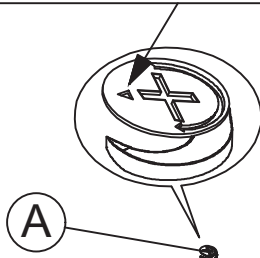
Insert 2pcs (B) to the (11) and (12) as shown. This step needs to be **done four time**.



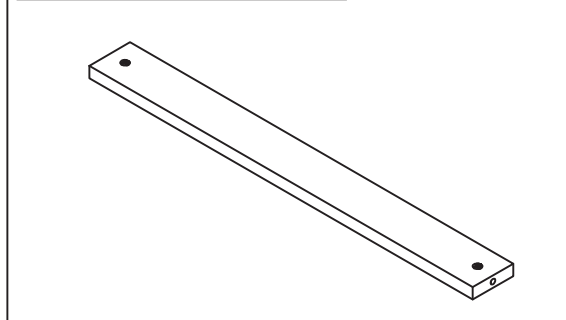
## STEP 10

Insert 2pcs (A) to the (14) as shown. This step needs to be **done twice time**.

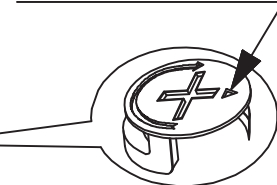
Arrow need to face outside.



Assembled become like this.



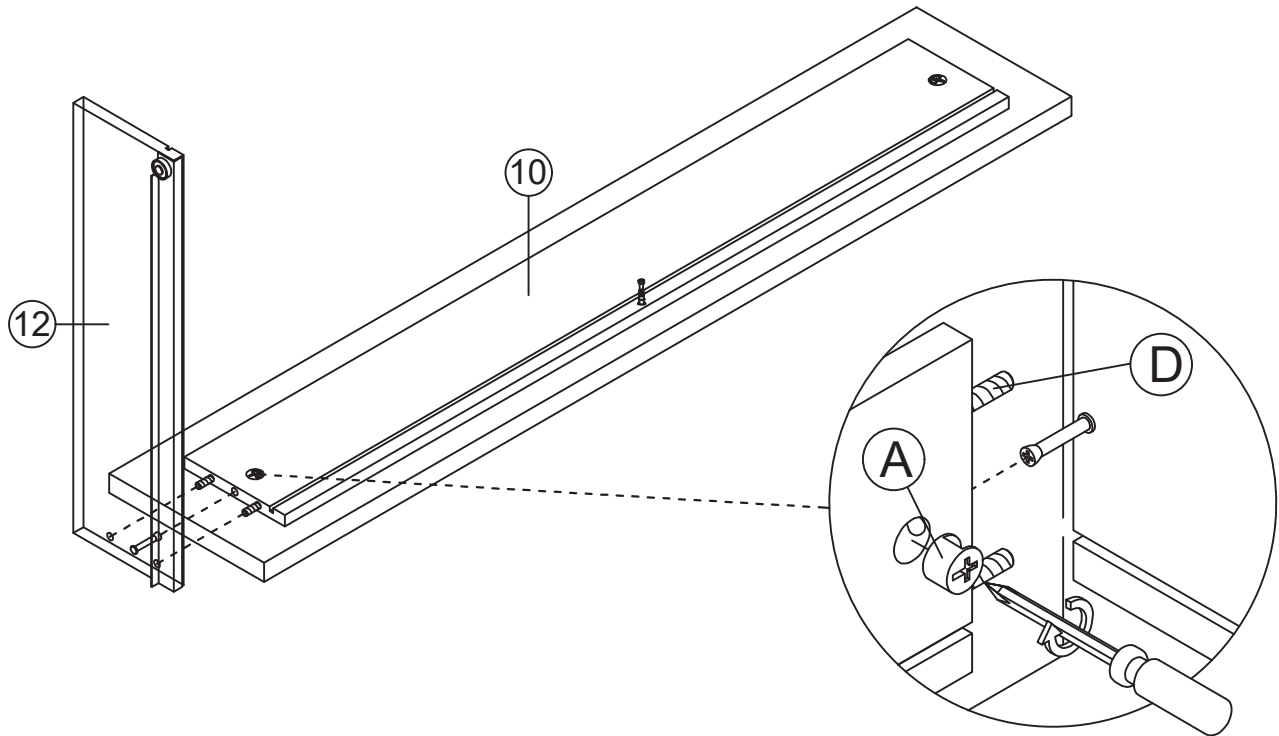
Arrow need to face outside.



# ASSEMBLY INSTRUCTION

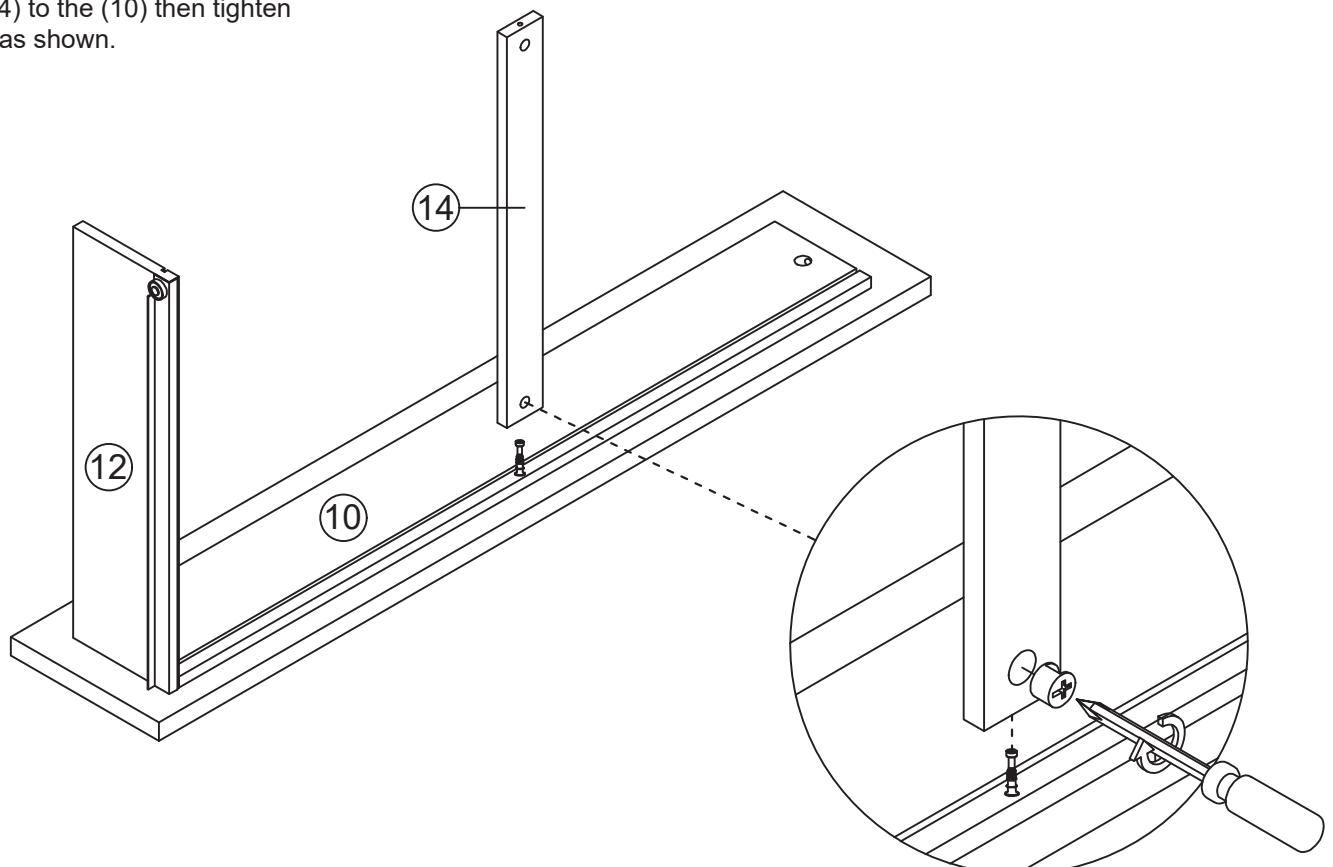
## STEP 11

Combine (12) to the (10) then tighten the 1pc (A) as shown.



## STEP 12

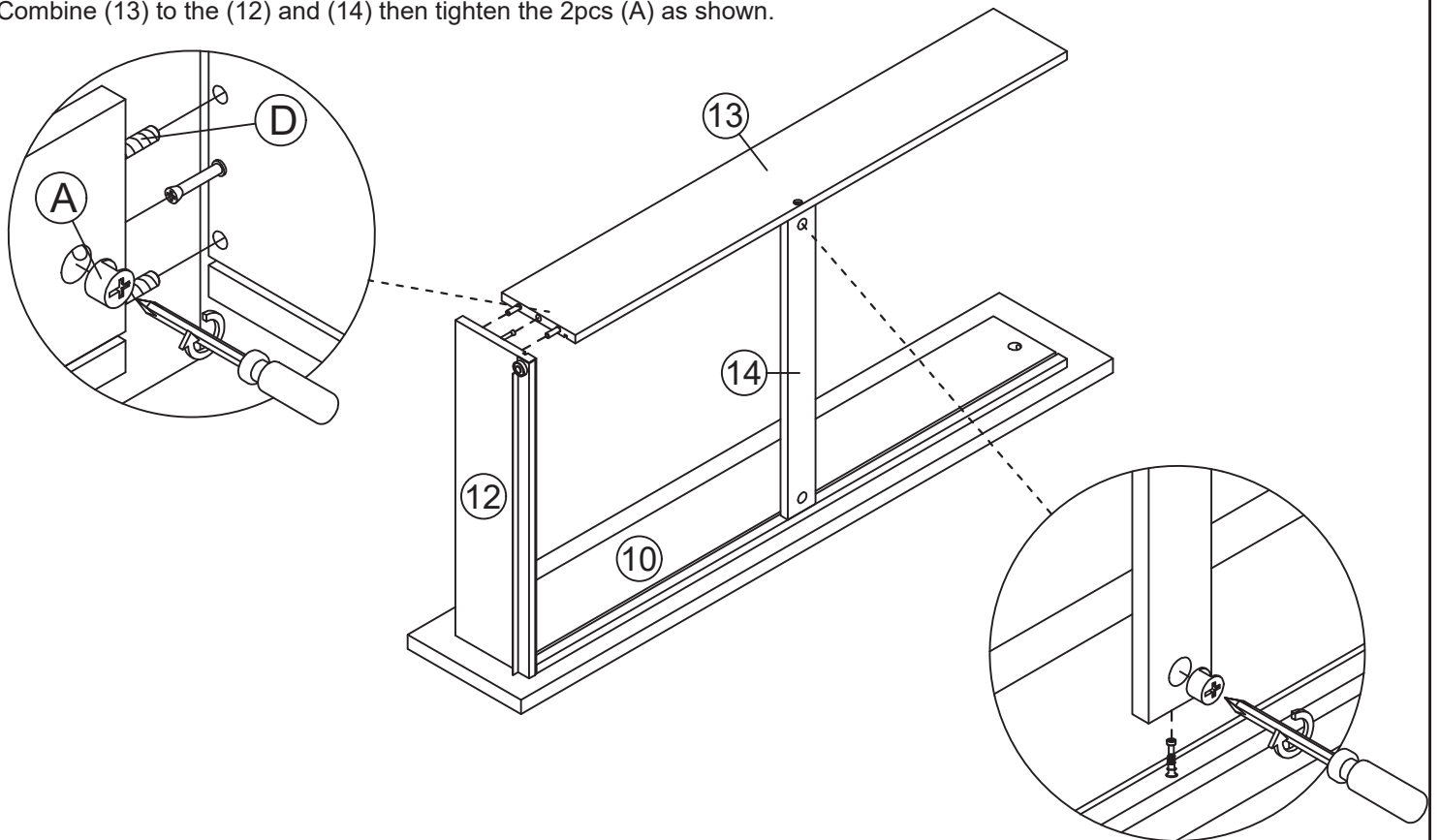
Combine (14) to the (10) then tighten the 1pc (A) as shown.



# ASSEMBLY INSTRUCTION

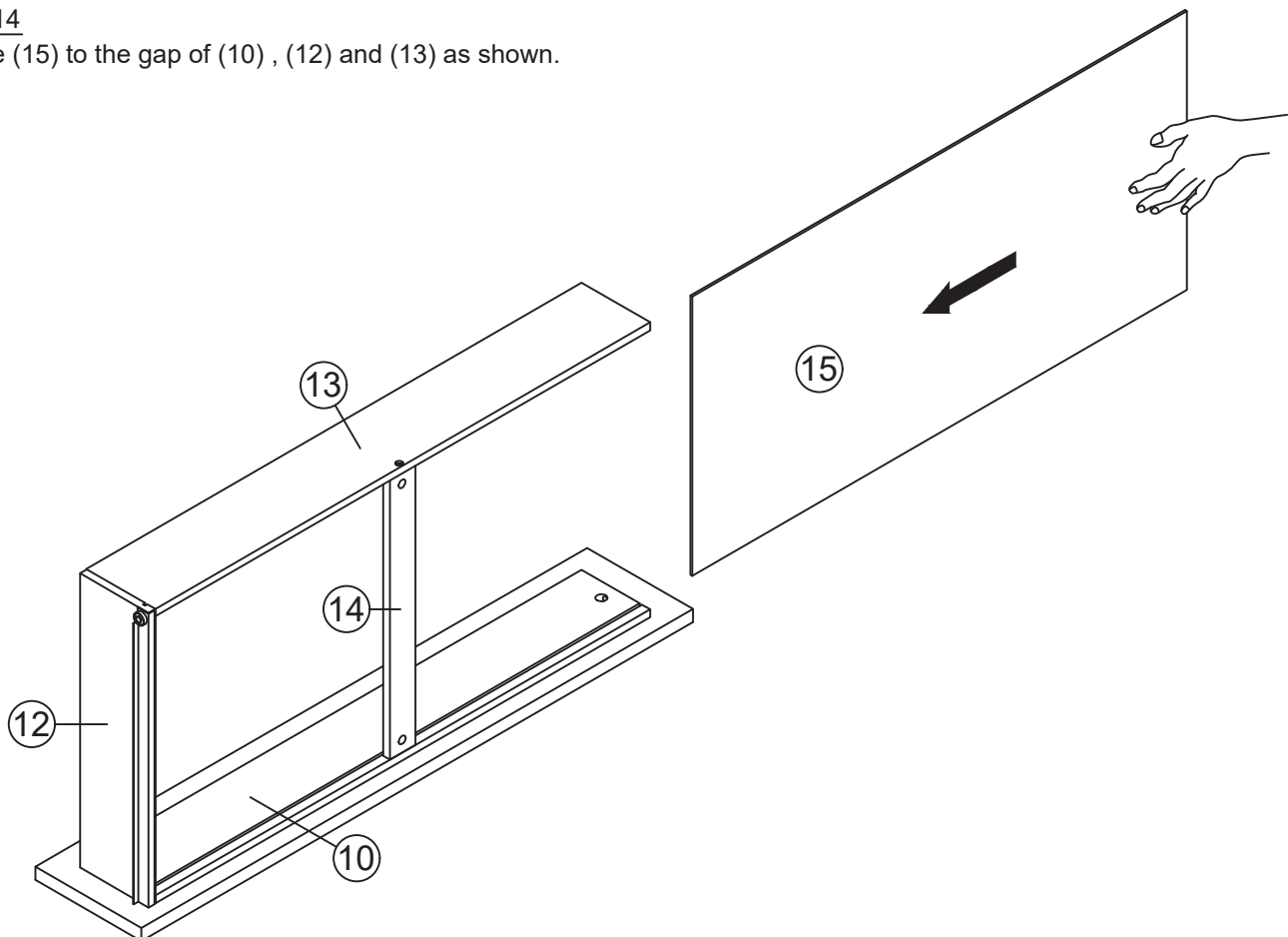
## STEP 13

Combine (13) to the (12) and (14) then tighten the 2pcs (A) as shown.



## STEP 14

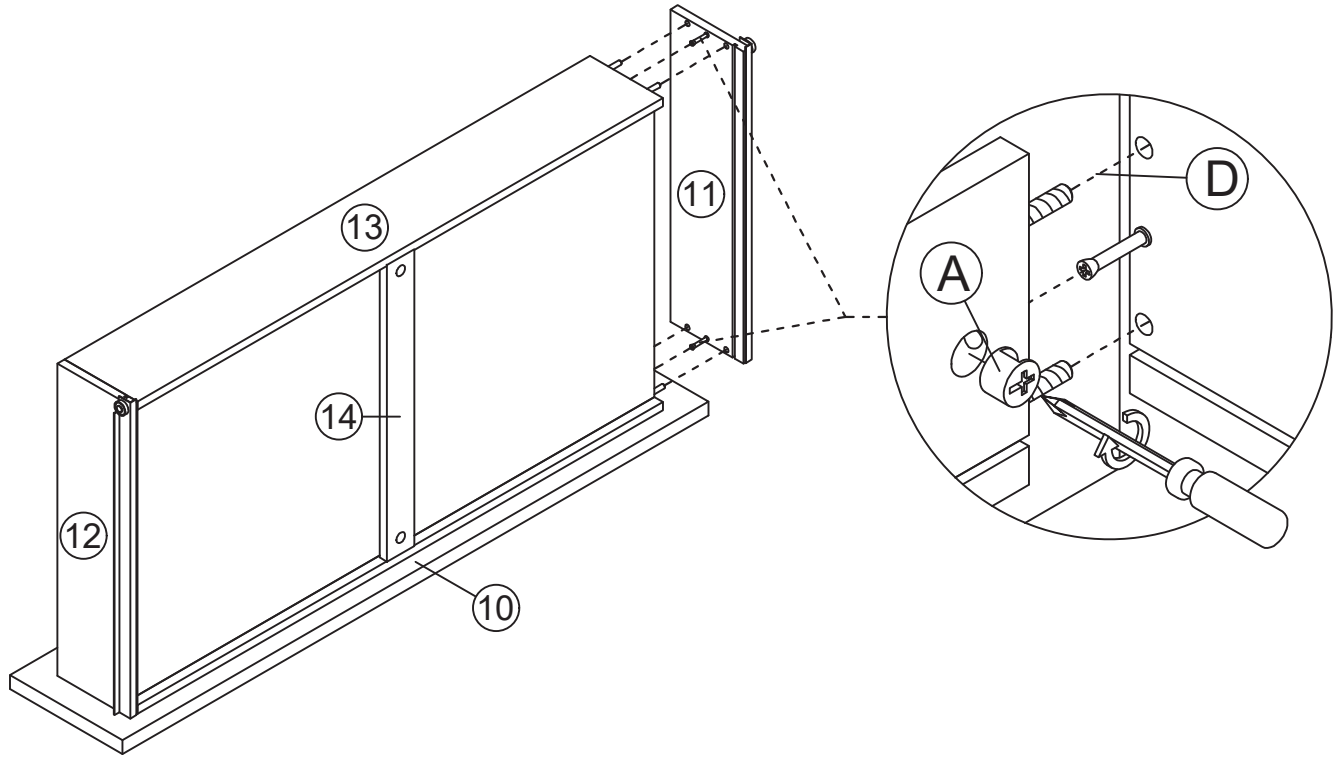
Put the (15) to the gap of (10) , (12) and (13) as shown.



# ASSEMBLY INSTRUCTION

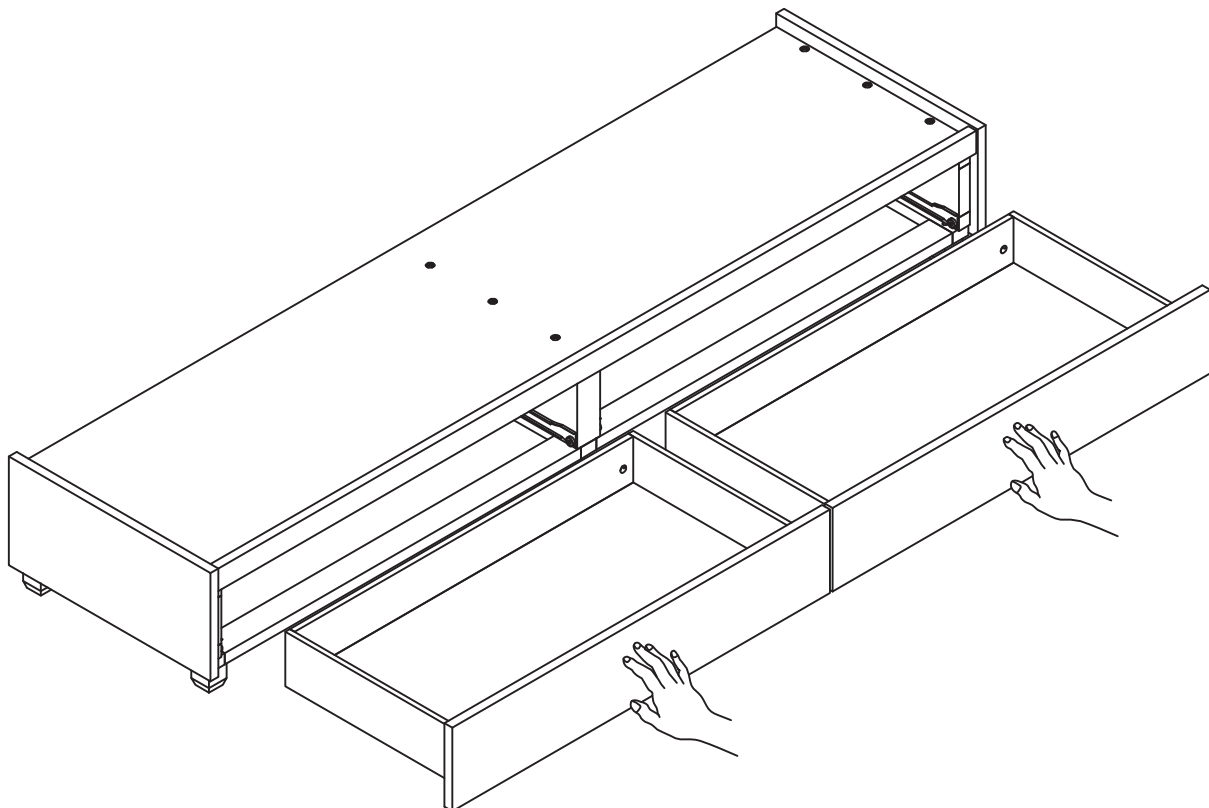
## STEP 15

Combine (11) to the (10) and the (13) then tighten 2pcs (A) as shown.



## STEP 16

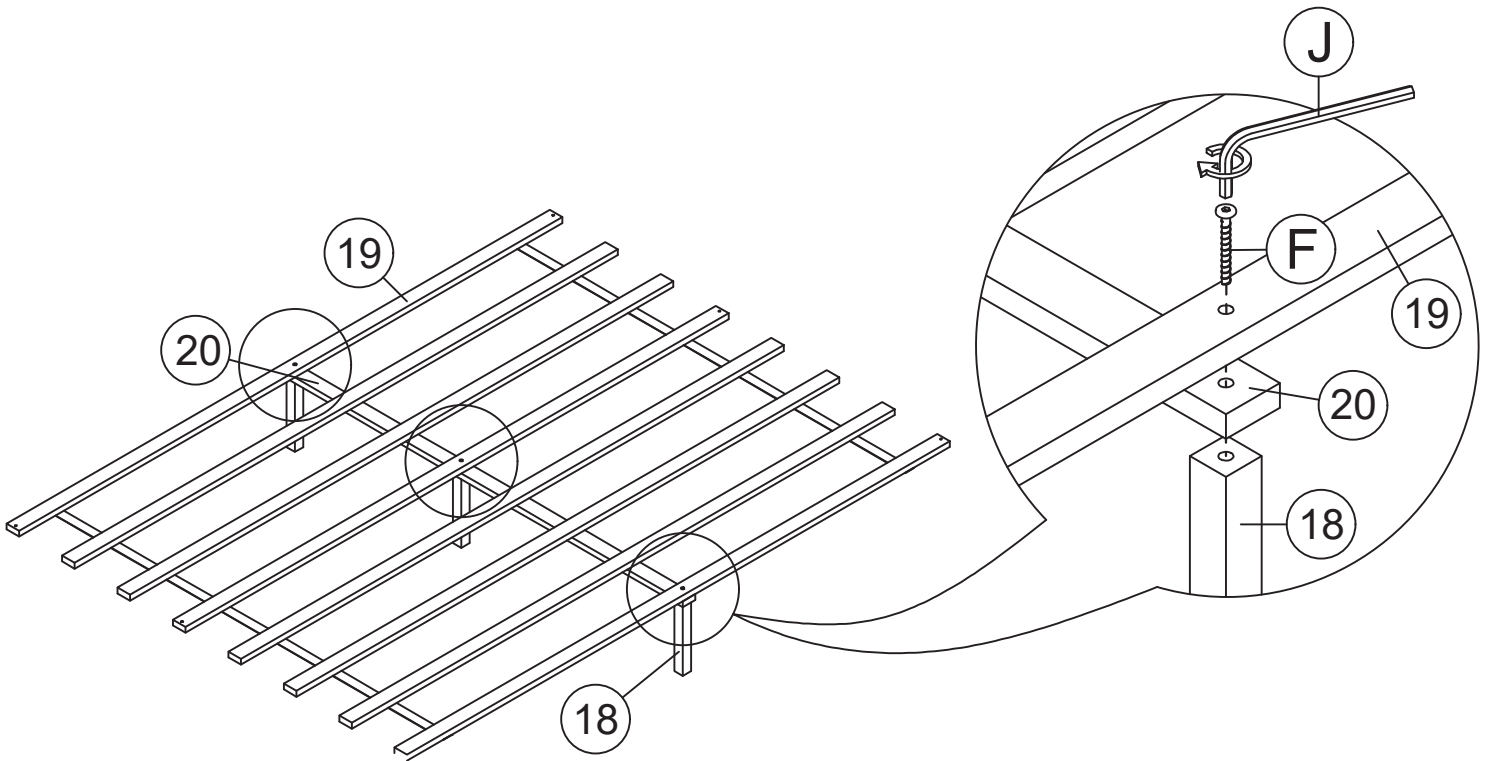
Align the position the push the 2pcs drawer to inside exactly by your hand as shown.



# ASSEMBLY INSTRUCTION

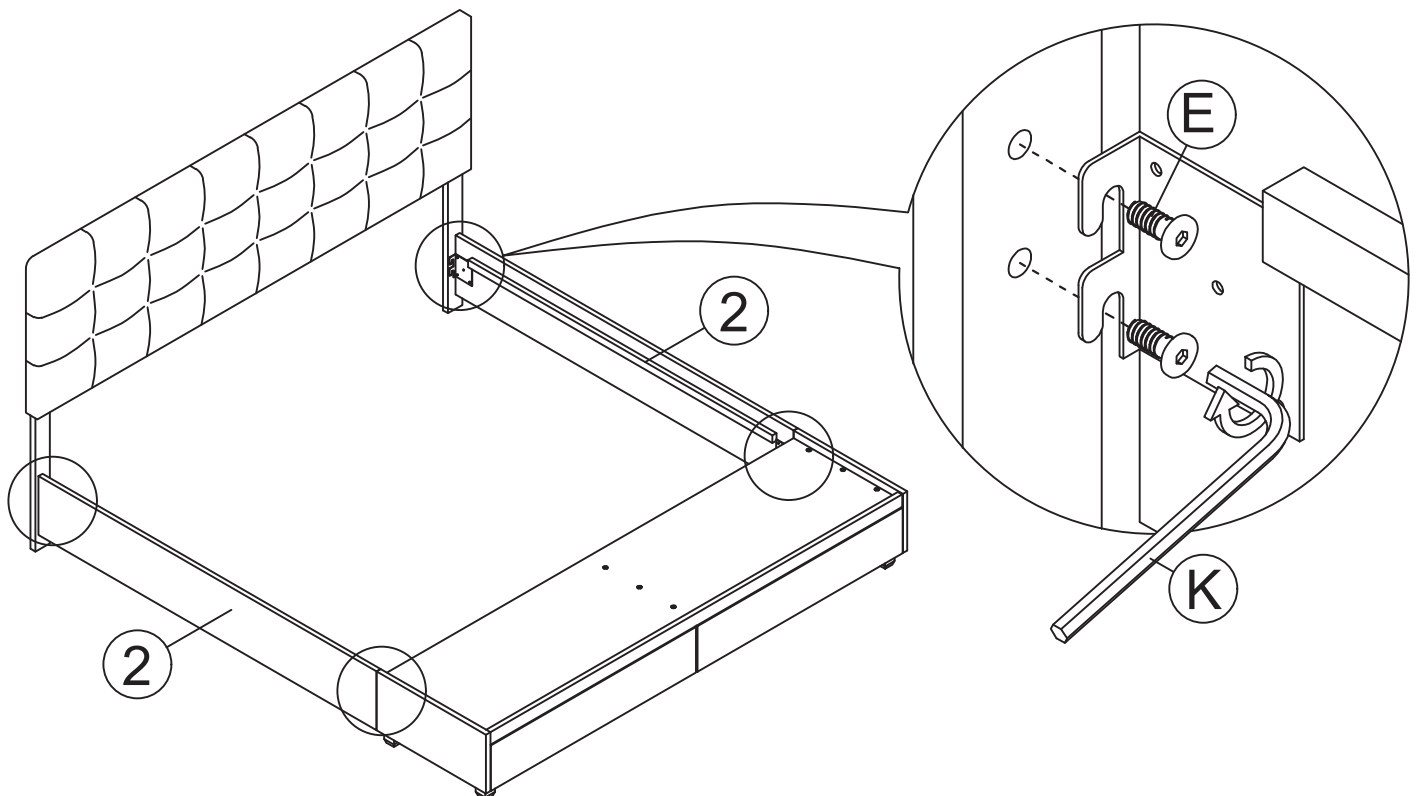
## STEP 17

Insert 3pcs (F) to combine (19) and (20) to the (18) as shown.



## STEP 18

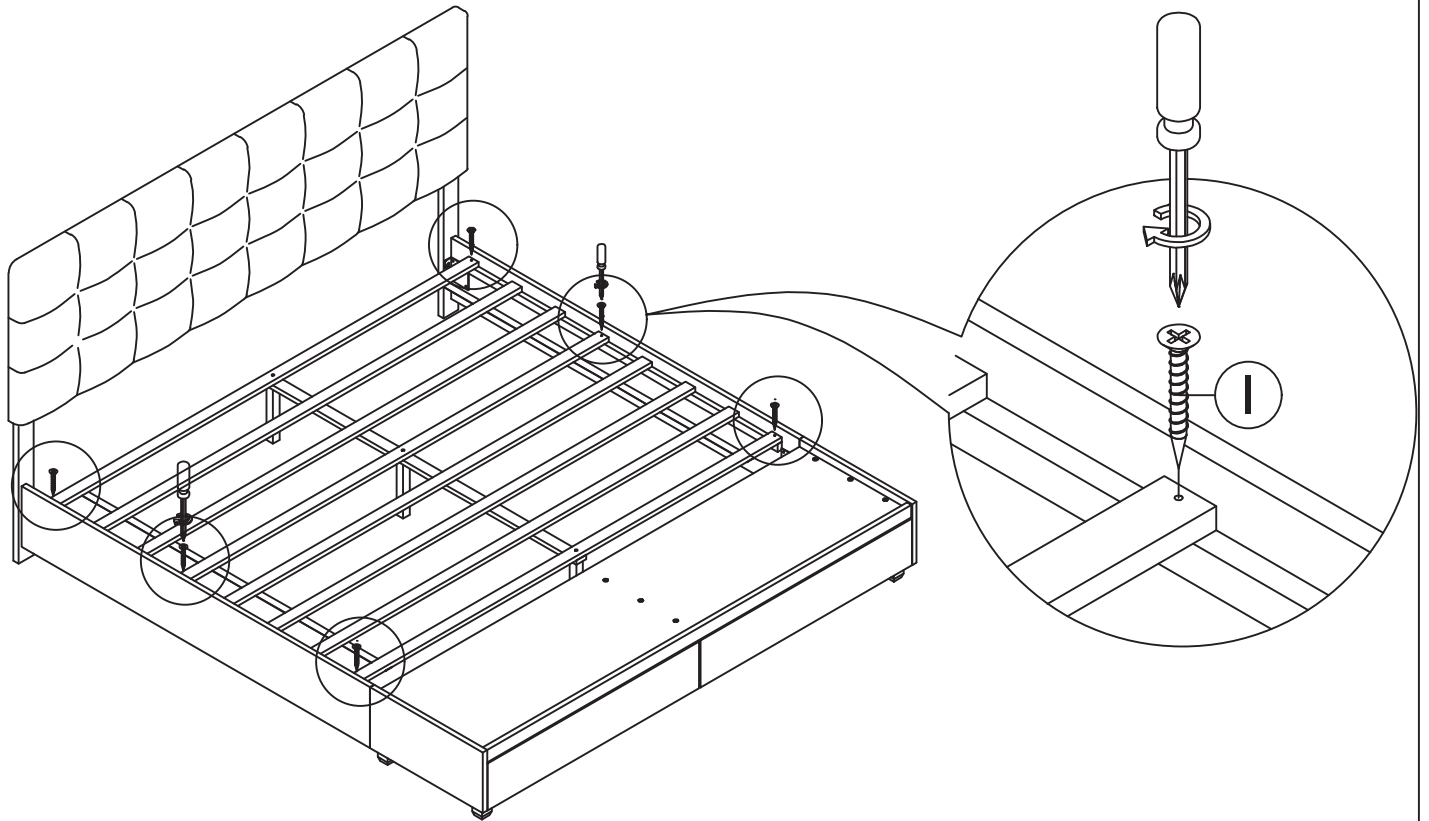
Insert 8pcs (E) to combine 2pcs (2) to the headboard leg and footboard as shown.



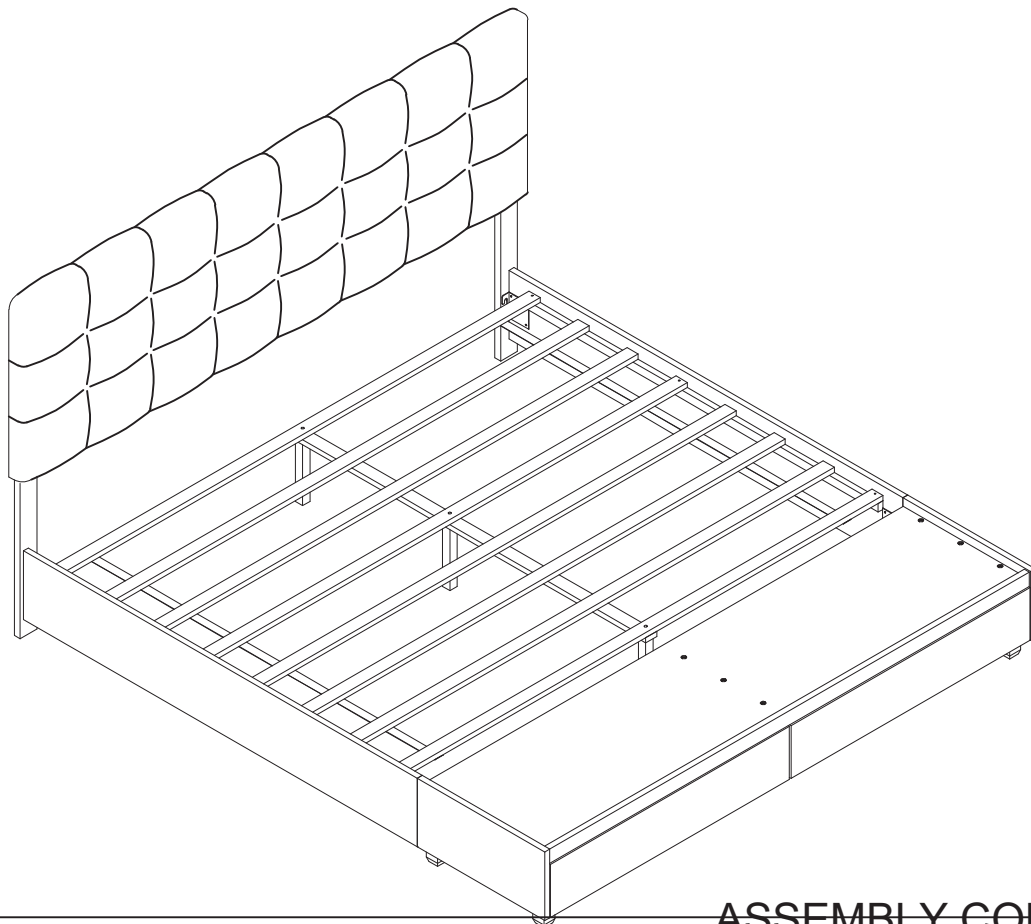
# ASSEMBLY INSTRUCTION

## STEP 19

Put the slat to the inside of bed frame , then insert 6pcs (I) to tighten the slat.



## STEP 20



**ASSEMBLY COMPLETED**