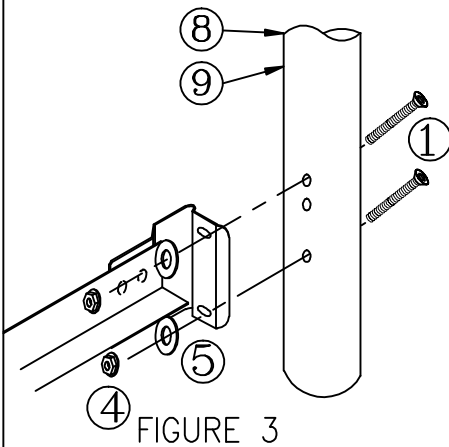
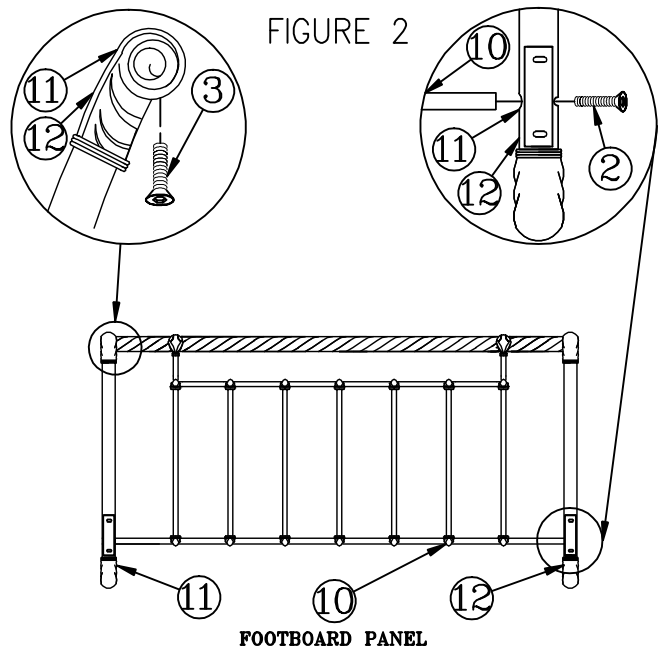
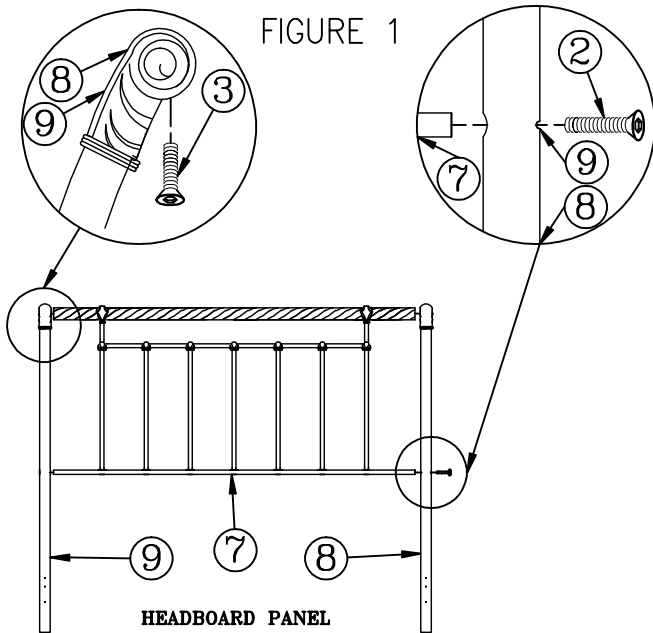


Instruction Sheet

SAVE ALL PACKAGING MATERIALS UNTIL PRODUCT IS FULLY ASSEMBLED. HARDWARE AND SMALL PIECES MAY NOT BE SEEN AND BE ACCIDENTALLY DISCARDED WITH PACKAGING MATERIALS.

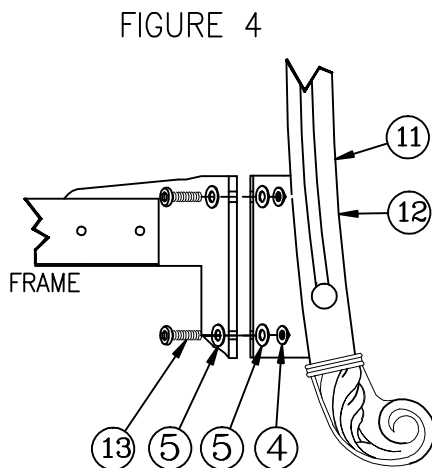


Step 1

- Align grill (7) rail ends with holes in headboard post (8). SEE FIGURE 1
- Secure post (8) to grill (7) with screws (2 & 3). SEE FIGURE 1
- Use screw (2) for bottom rail and screw (3) for top rails attachment.
- Repeat on other side of headboard panel.
- Tighten all screws securely using the Allen wrench (6).
- Repeat the same step for the footboard assembly. SEE FIGURE 2

Step 2

- Place headboard and frame in desired location in room.
- Place 2 screws (1) through holes located in post (9). SEE FIGURE 3
- Align bed frame bracket over screws.
- Place a flat washer (5) and a hex nut (4) on each screw. Hand-tighten, DO NOT TIGHTEN screws all the way.
- Repeat on other side of headboard.
- Tighten all screws securely using the Allen wrench (6).



Step 3

- Position footboard panel and align holes in the post bracket (11) with holes in the frame bracket. SEE FIGURE 4
- Place flat washer (5) on each screw (13) Insert through frame bracket into post bracket.
- Place a flat washer (5) and a hex nut (4) on each screw. Hand-tighten, DO NOT TIGHTEN screws all the way.
- Repeat on other side of footboard panel.
- Tighten all screws securely using the Allen wrench (6).