




IMPORTANT NOTE :

- Place all wooden parts on a clean and smooth surface such as a rug or carpet to avoid the parts from being scratched.
- Check to be sure that you have all parts and hardware.
- Remove all wrapping materials, including staples & packing straps before you start to assemble.
- Do not tighten all screws/bolts until all completely assembled.
- Keep all hardware parts out of reach of children.

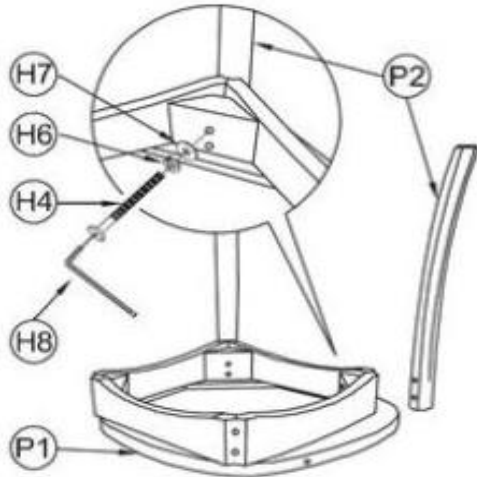
PARTS LIST (FOR 1 NOS. OF CHAIRS)

NO.	COMPONENT	QTY.
P1	CHAIR SEAT	1
P2	FRONT LEGS	2
P3	BACK LEG LEFT & RIGHT	2
P4	BACK CAP RAIL	1
P5	METAL BAR	2

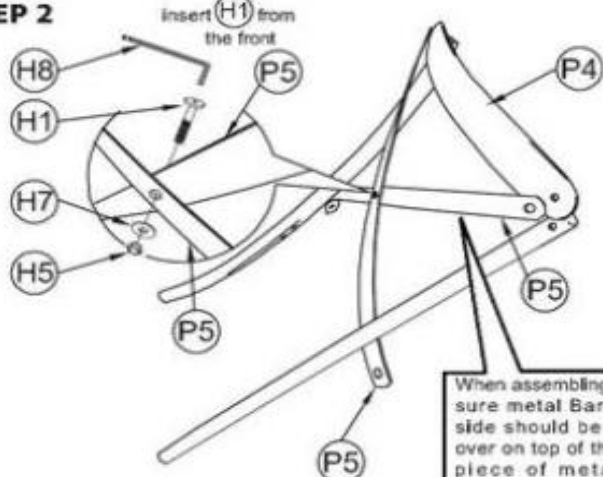
HARDWARE LIST (FOR 1 NOS. OF CHAIRS)

NO.	DESCRIPTION	QTY.
H1	M6 x 10 JCBC SCREW 	1
H2	M6 x 20 JCBC SCREW 	4
H3	M6 x 45 JCBC SCREW 	2
H4	M6 x 70 JCBC SCREW 	8
H5	M6 HEX NUT 	1
H6	M6 SPRING WASHER 	14
H7	M7 FLAT WASHER 	15
H8	ALLEN KEY M4 	1

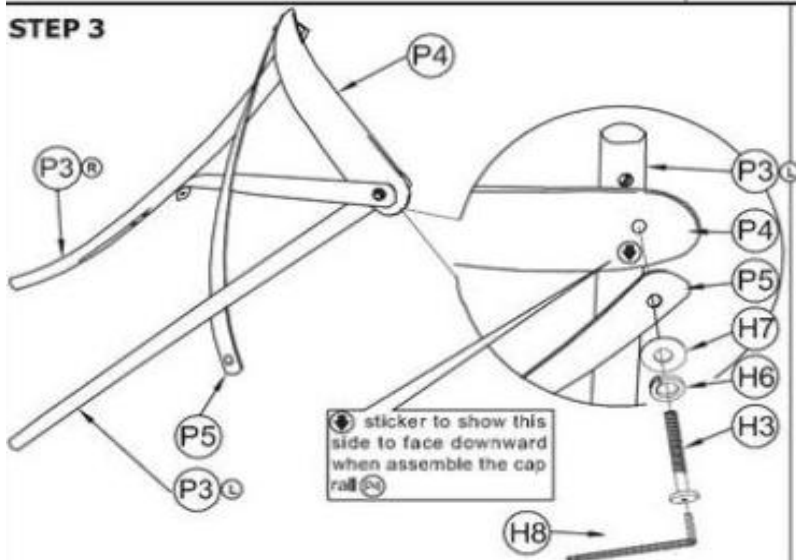
STEP 1



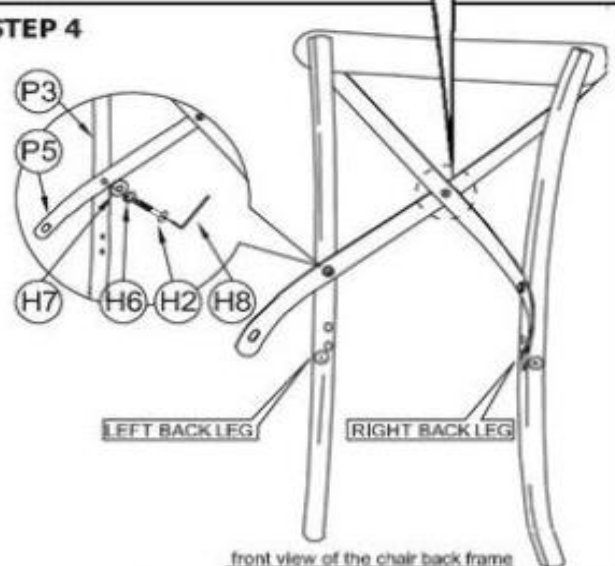
STEP 2



STEP 3

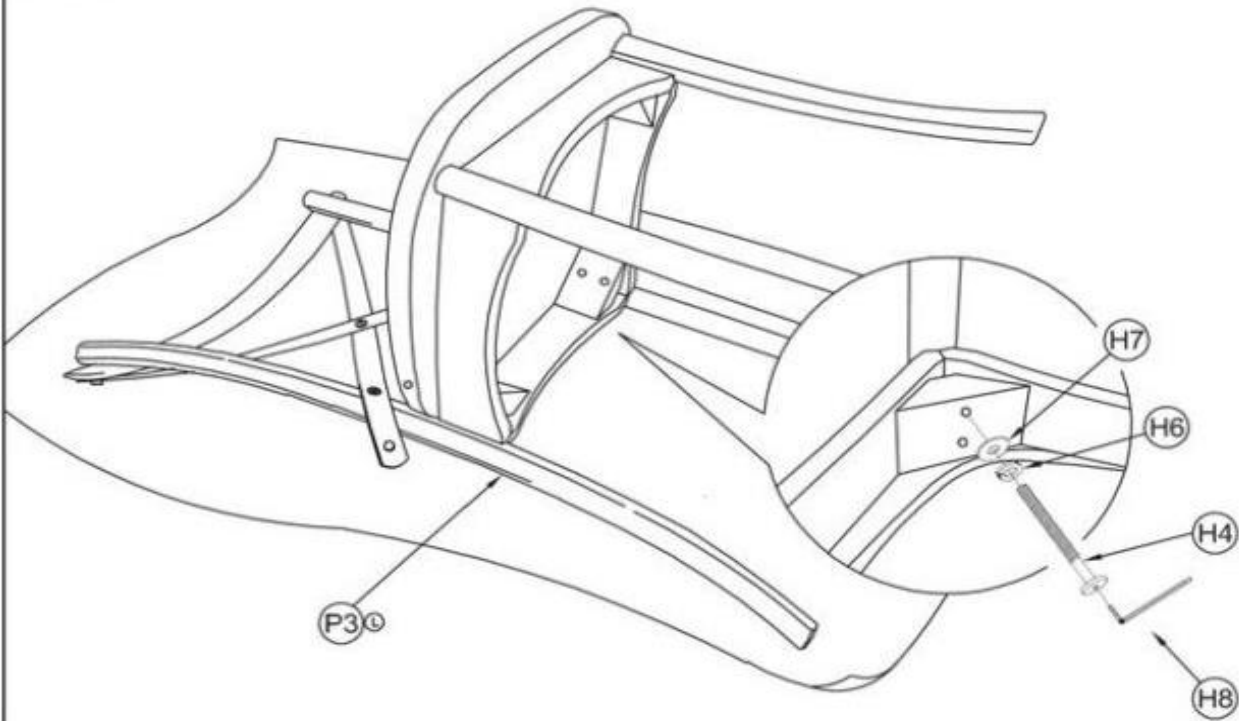


STEP 4

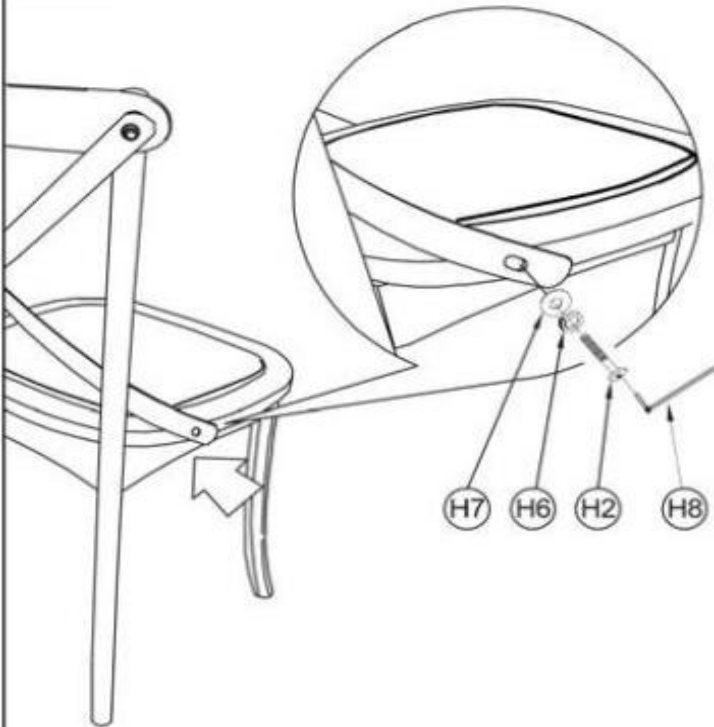


DO NOT FULLY TIGHTEN BOLTS AND NUTS UNTIL ALL PARTS HAVE BEEN ASSEMBLED.

STEP 5



STEP 6



COMPLETE ASSEMBLY
-PLEASE FULLY TIGHTEN BOLTS
AND NUTS

DO NOT FULLY TIGHTEN BOLTS AND NUTS UNTIL ALL PARTS HAVE BEEN ASSEMBLED.

CARE AND MAINTENANCE

- SAFETY** - To avoid any risk of suffocation to children and animals, dispose off plastic bags immediately.
- CLEANING** - Clean with damp cloth and mild detergent. Do not use bleach or abrasive products.
- FITTINGS** - Tighten bolts and nuts from time to time to ensure all parts of product are securely fitted.