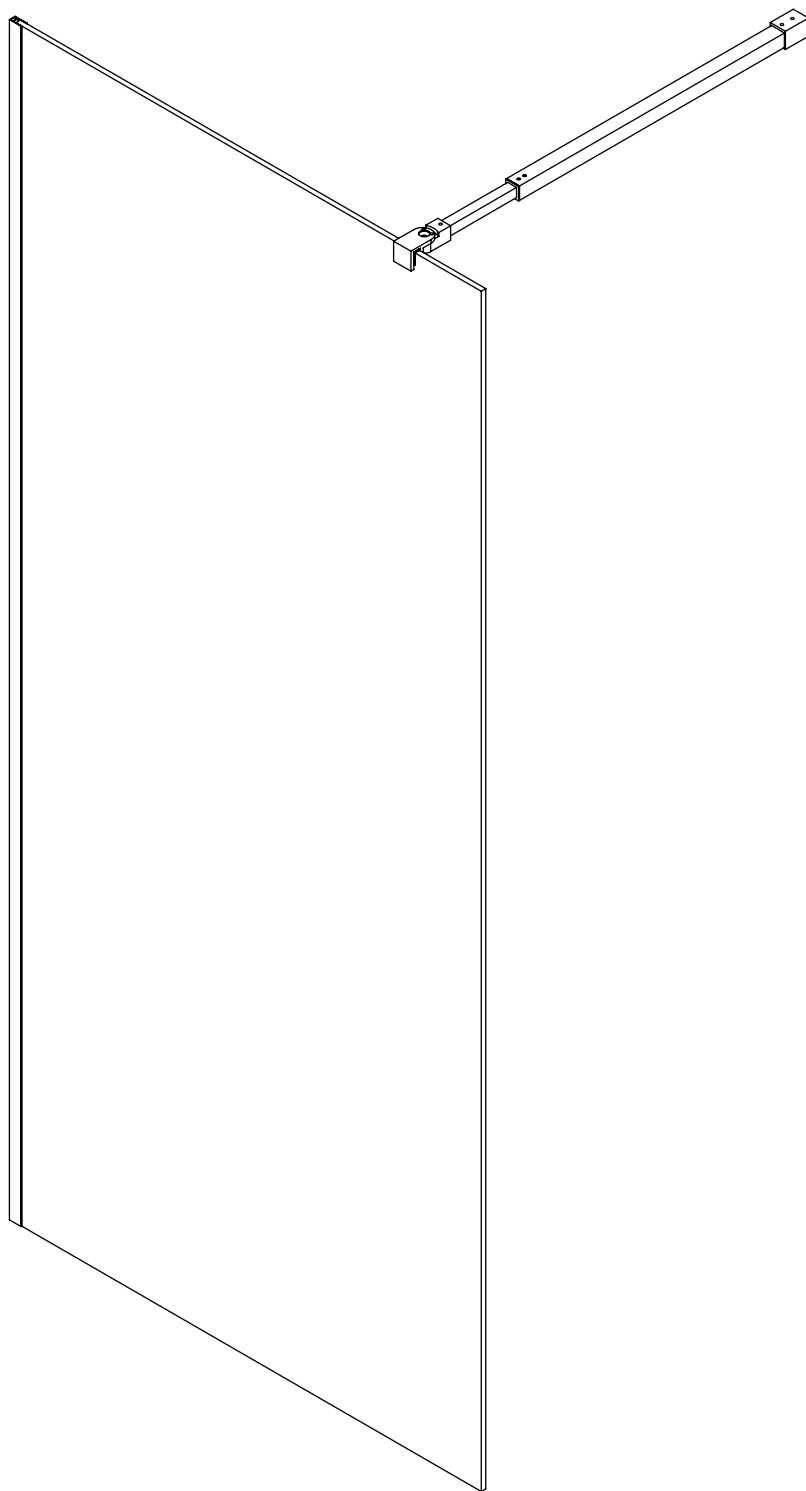
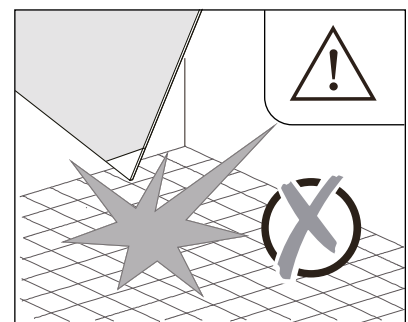
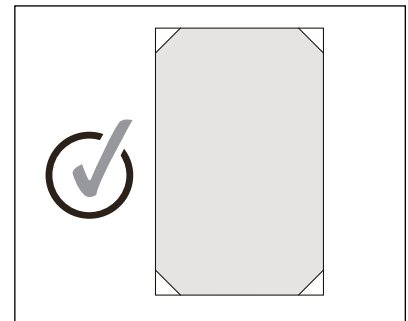
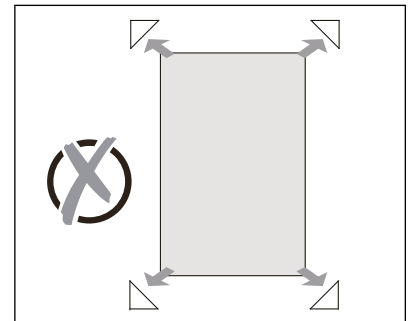
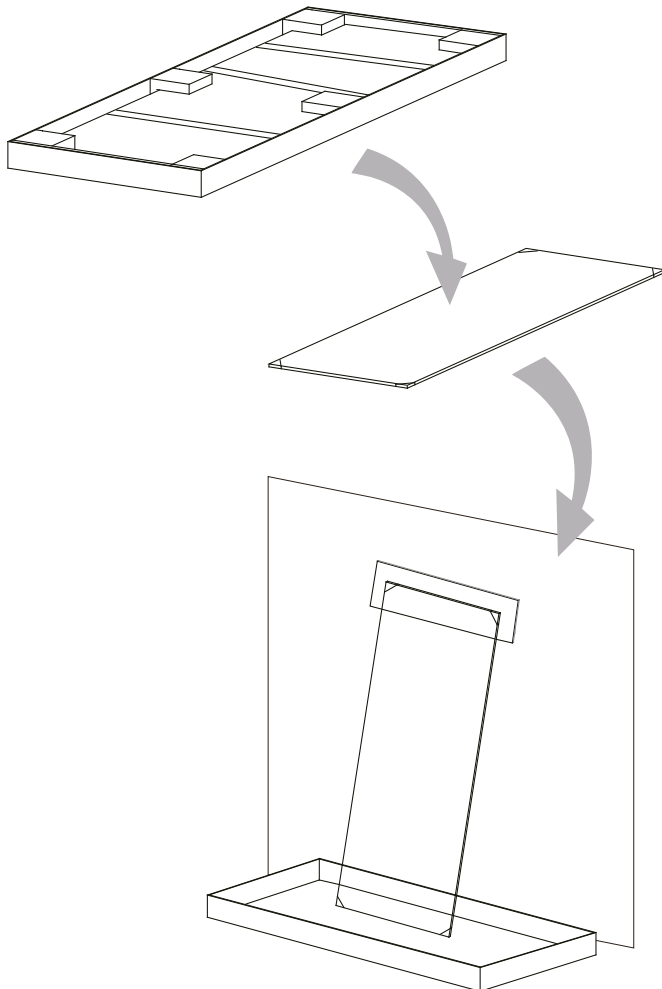
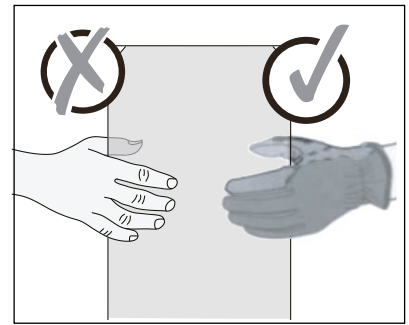
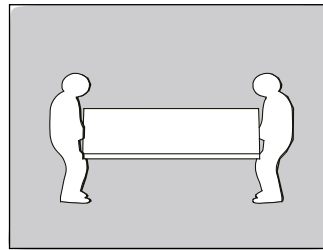
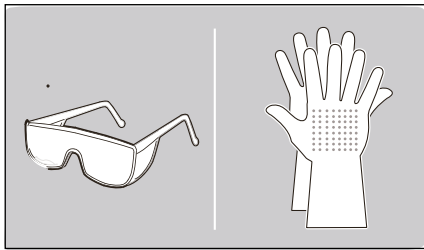
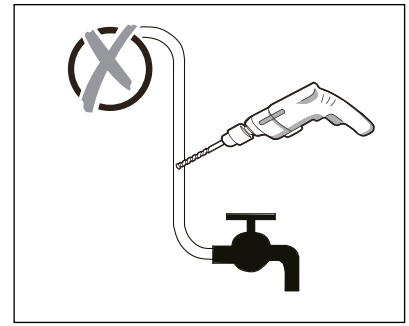
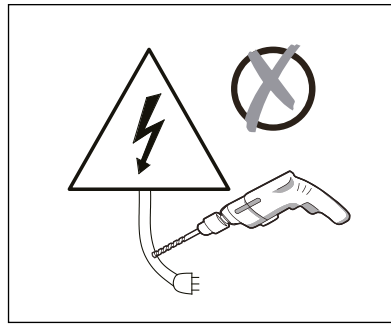
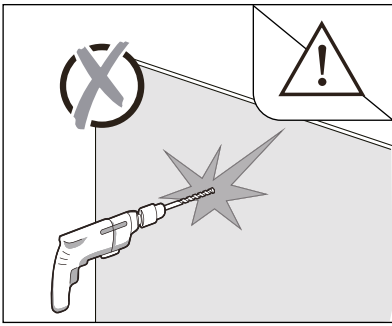
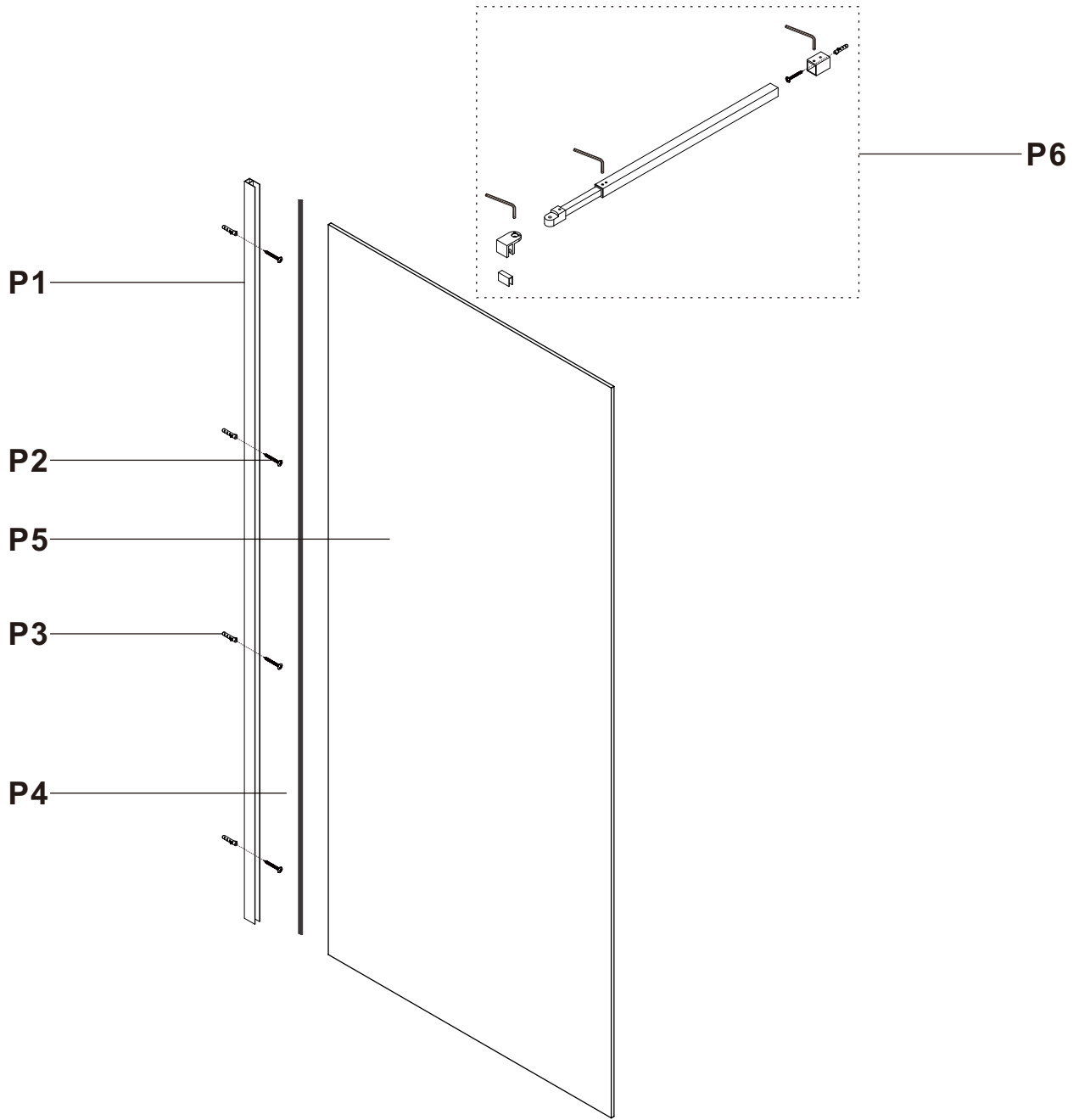
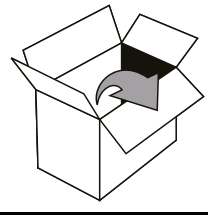


WK-3472J



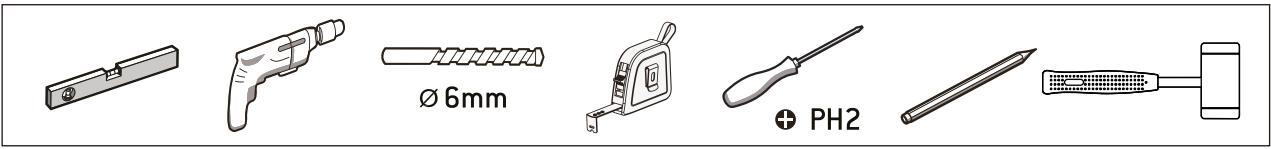






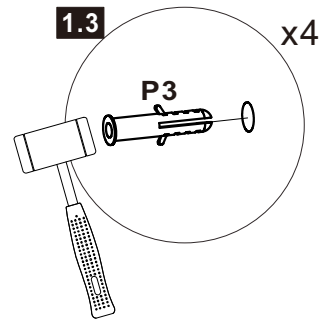
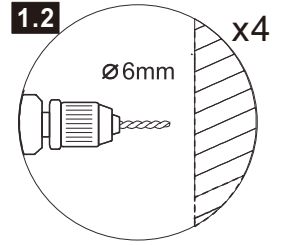
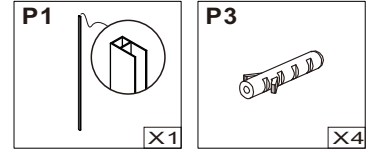
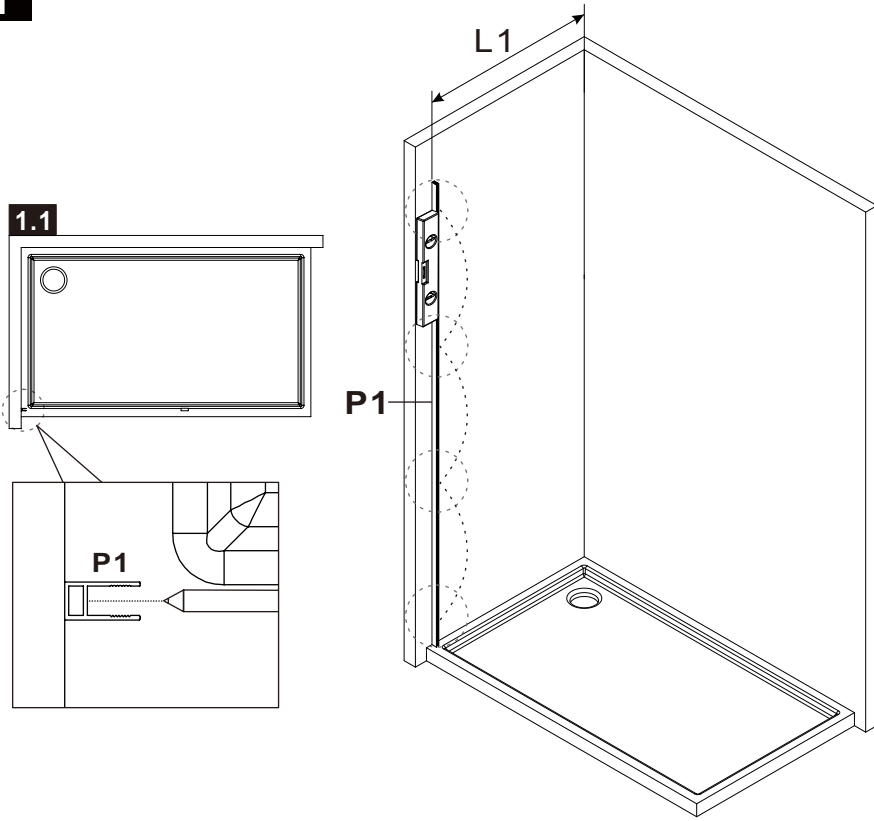
<p>P1</p> <p>X1</p>	<p>P2 ST4x30MM</p> <p>X4</p>	<p>P3</p> <p>X4</p>	<p>P4</p> <p>X1</p>
<p>P5</p> <p>X1</p>	<p>P6</p> <p>X1</p>		

<p>Ø 6mm</p>	
<p>⊕ PH2</p>	
<p>Ø 3mm</p>	

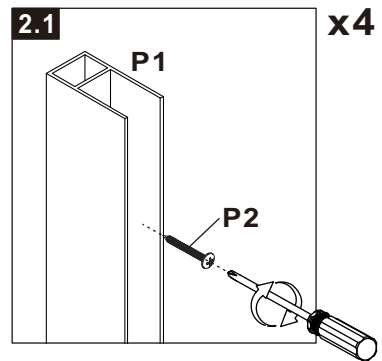
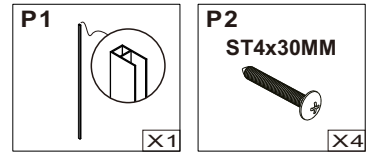
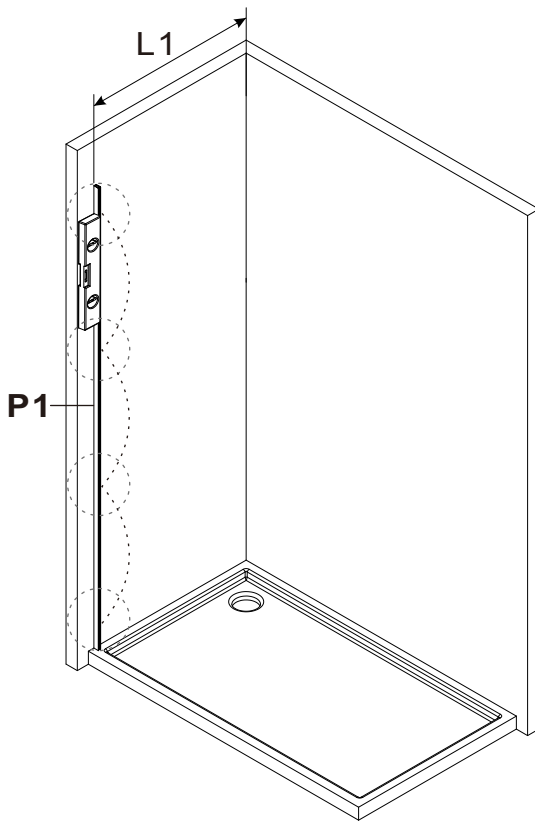


5

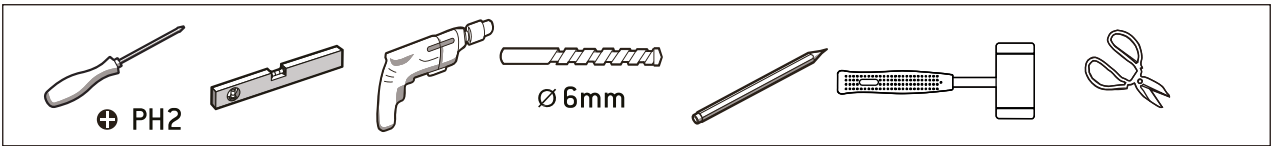
1



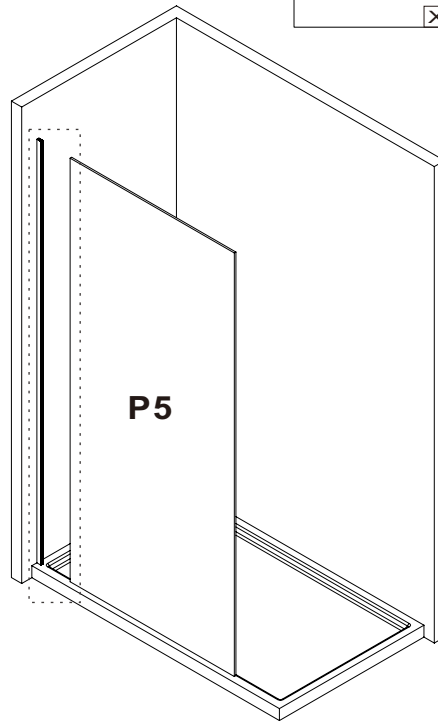
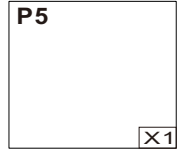
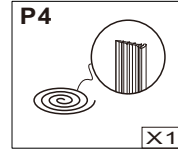
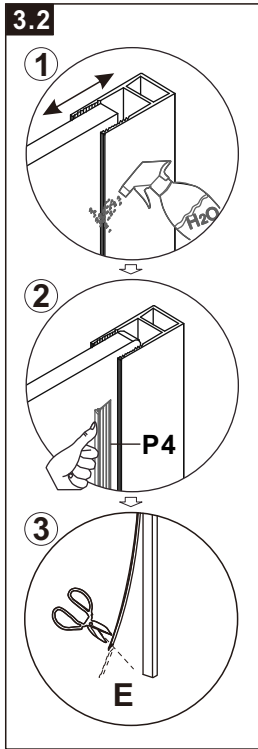
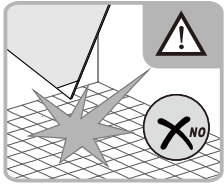
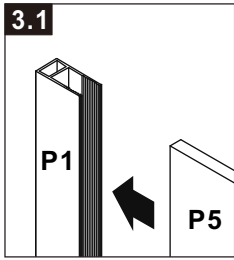
2



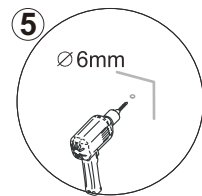
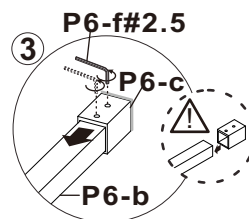
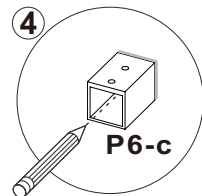
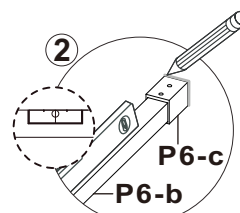
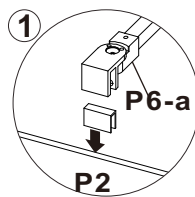
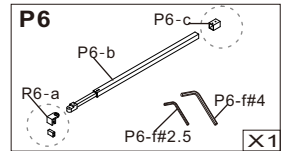
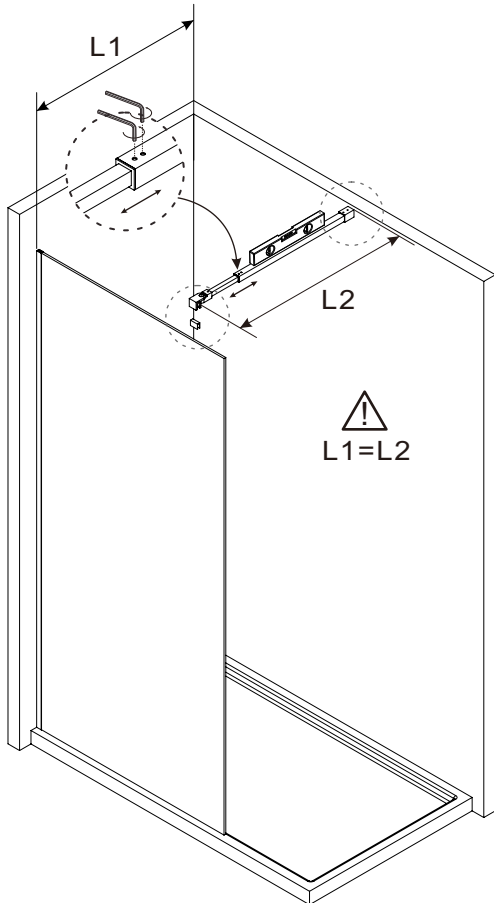
6

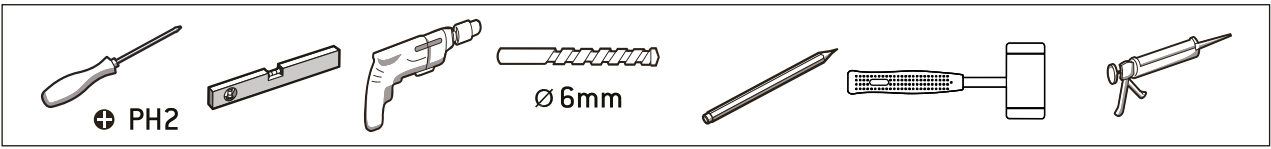


3

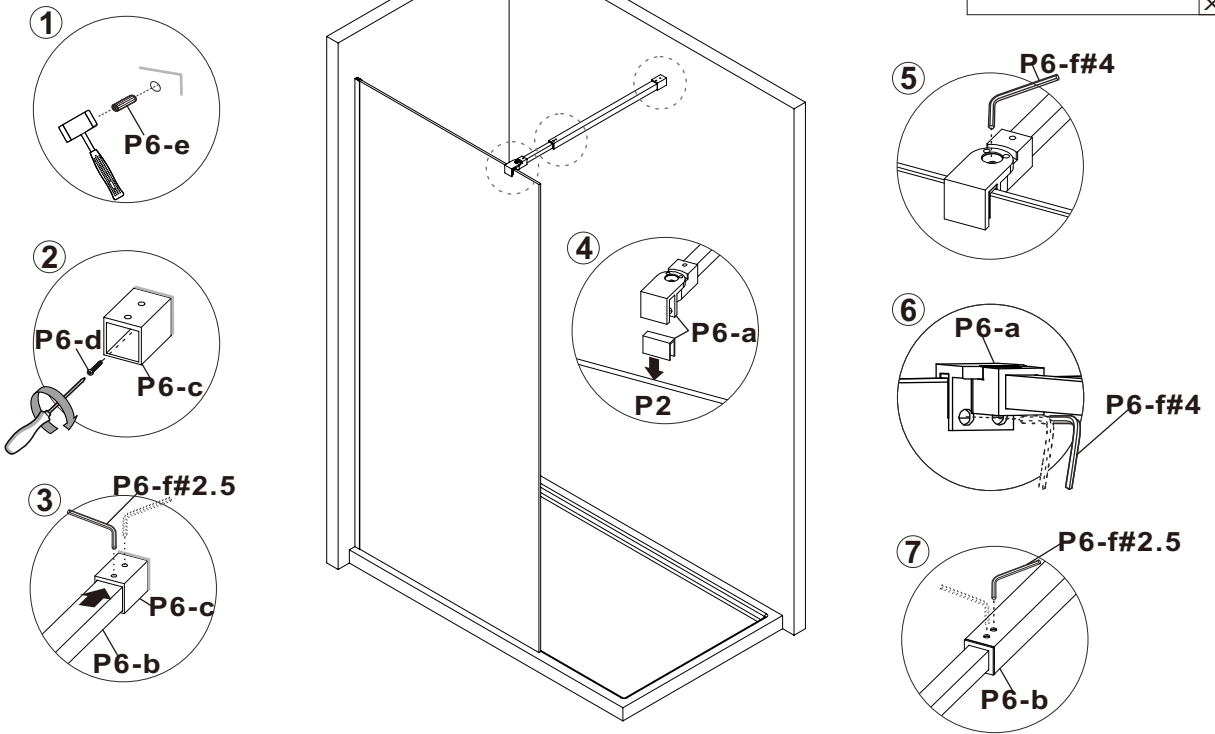
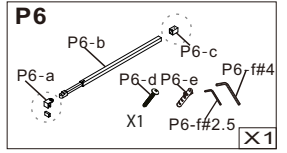


4





5



6

