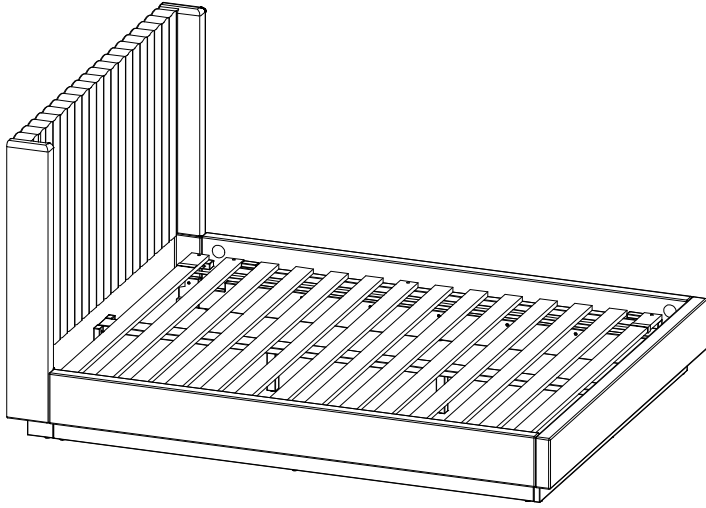




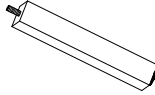


# ASSEMBLY INSTRUCTION

## Montgomery Bed Queen

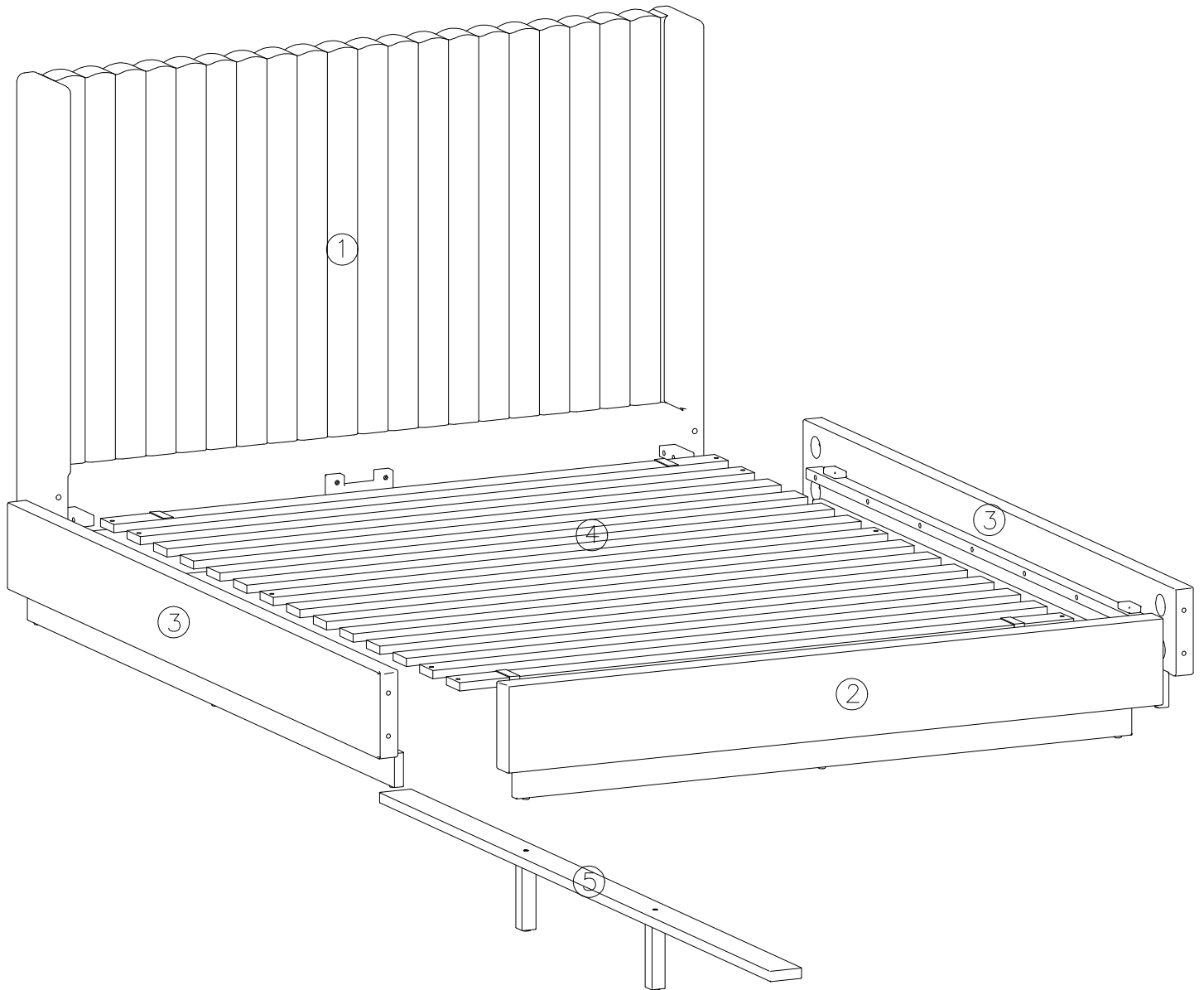


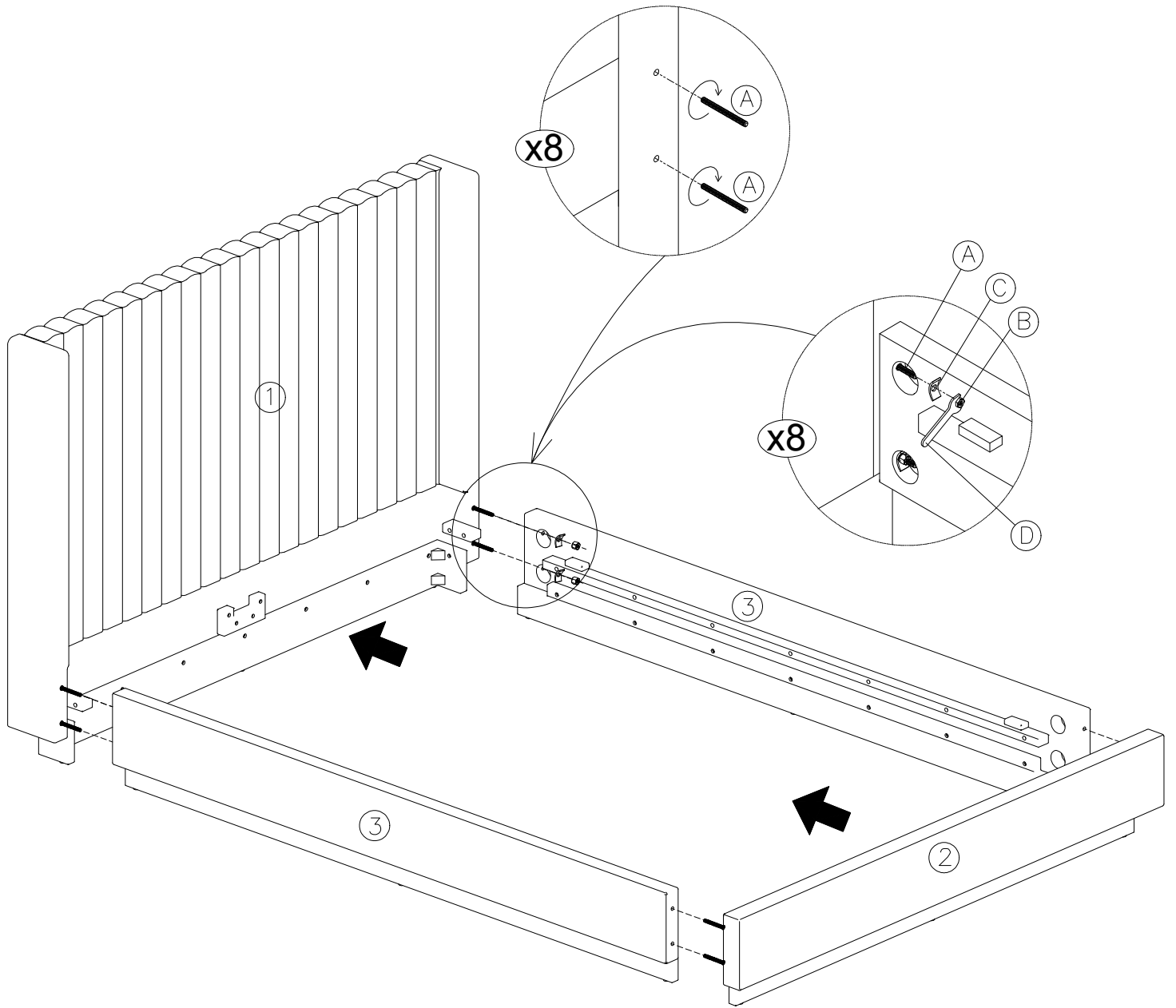
### HARDWARE LIST

|   |  |                        |   |
|---|--|------------------------|---|
| A |     | BOLT<br>Ø8 x100mm      | 8 |
| B |     | HEXAGON NUT M8         | 8 |
| C |     | ACR WASHER<br>15 x30mm | 8 |
| D |   | WRENCH                 | 1 |
| E |   | WOOD SCREW<br>Ø4 x25mm | 8 |
| F |   | WOOD SCREW<br>Ø5 x50mm | 2 |
| G |   | SIDE COVER             | 8 |
| H |  | CENTER LEGS            | 2 |

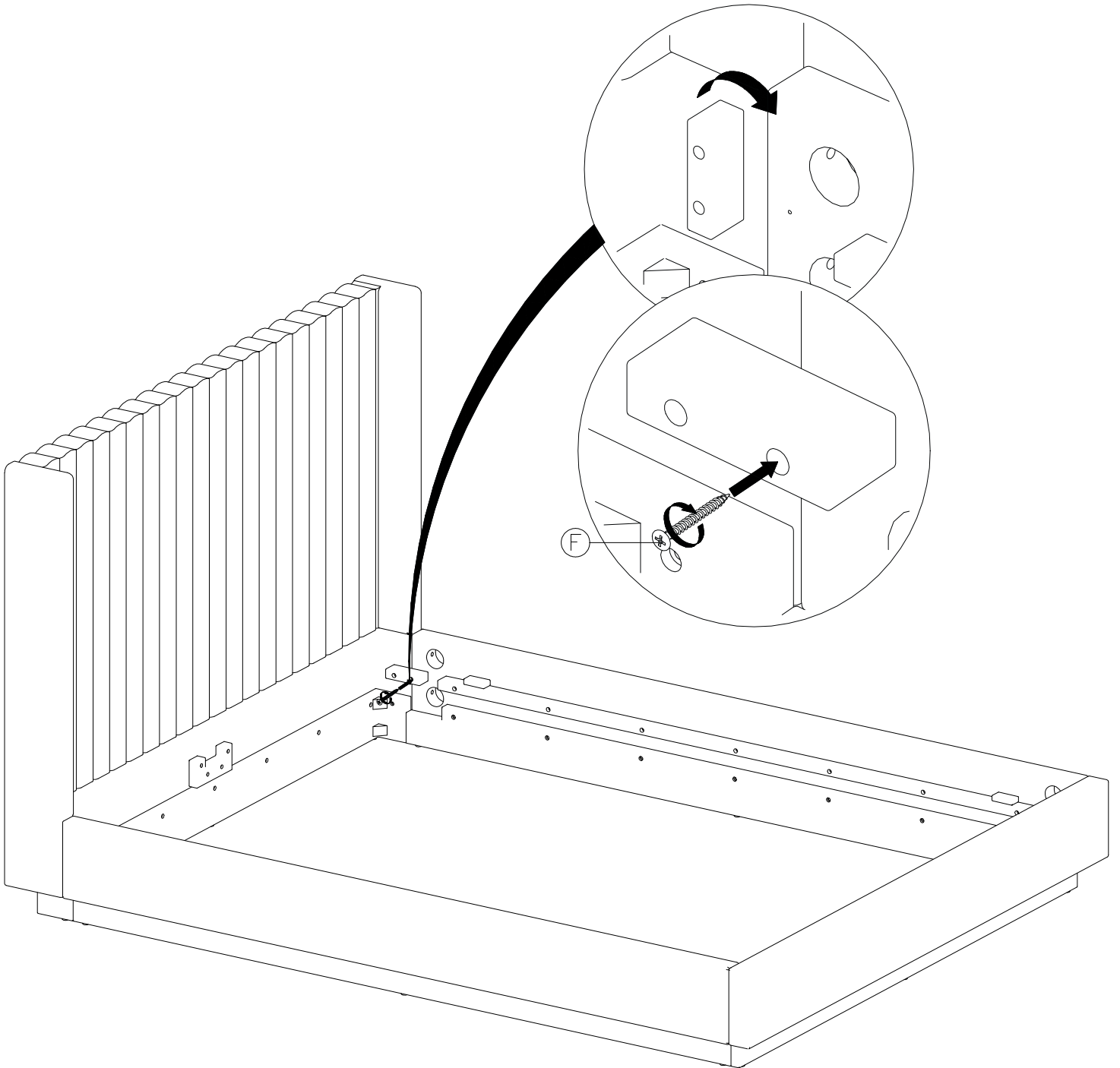
1

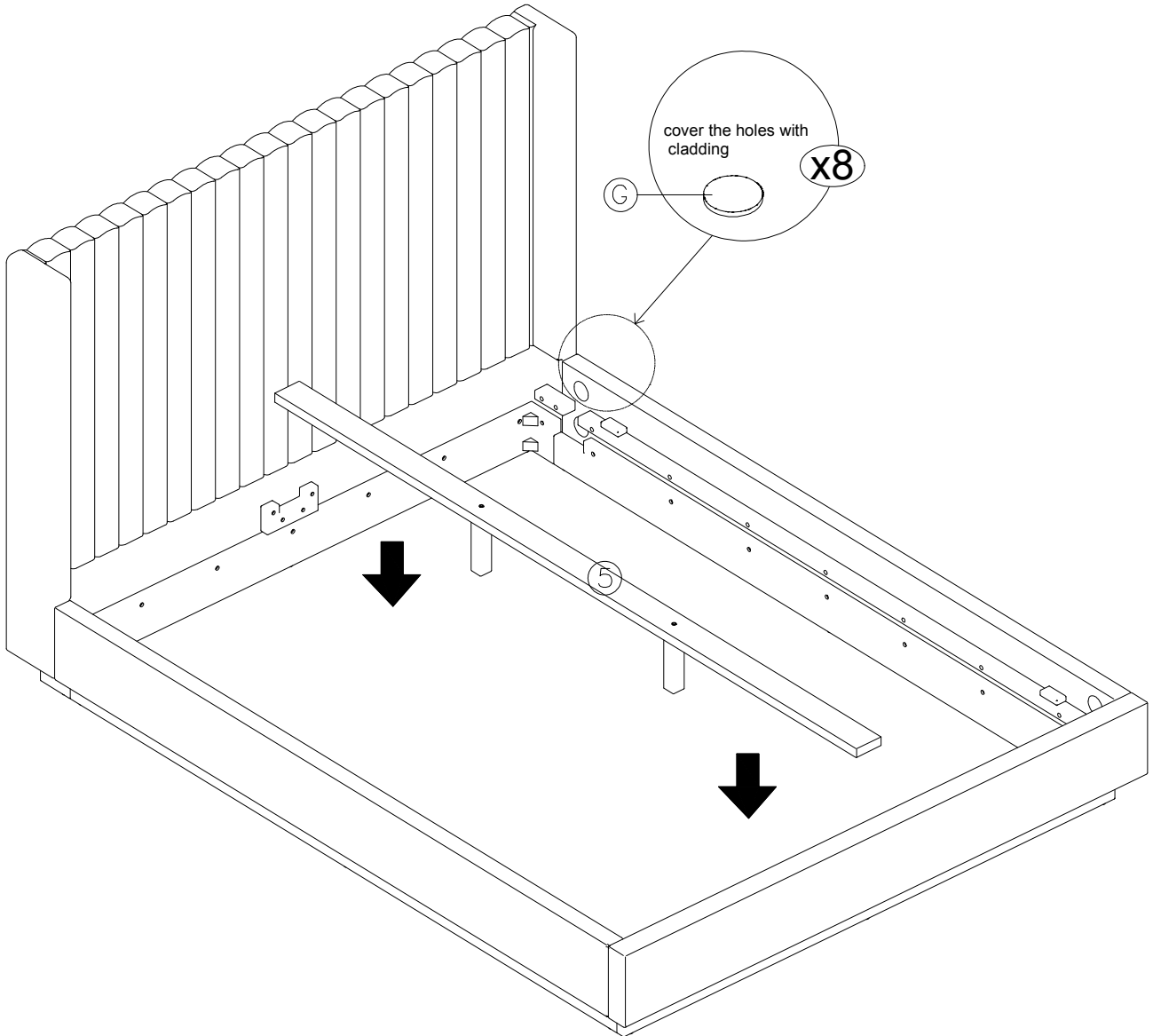
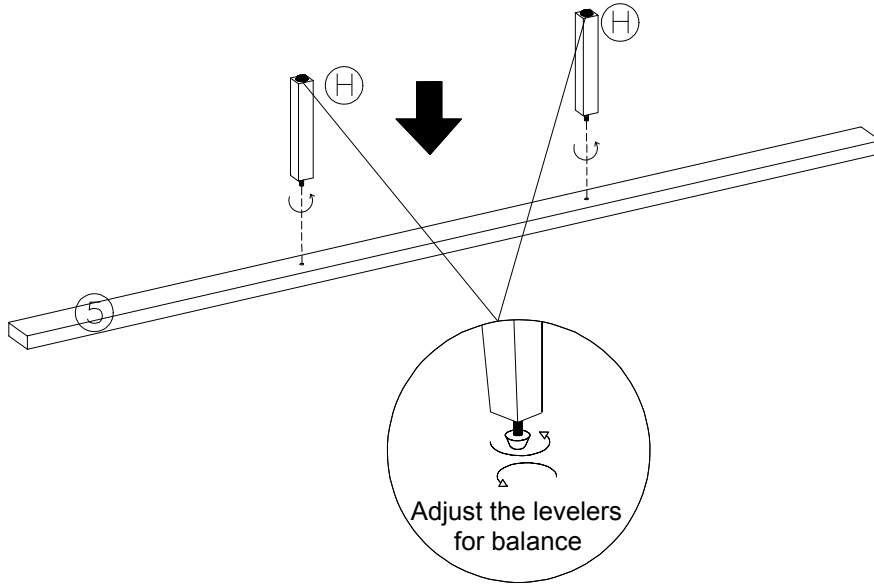
# COMPONENTS



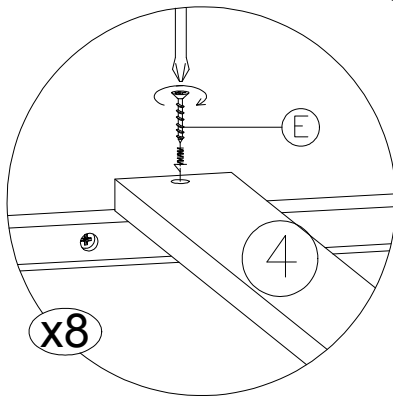
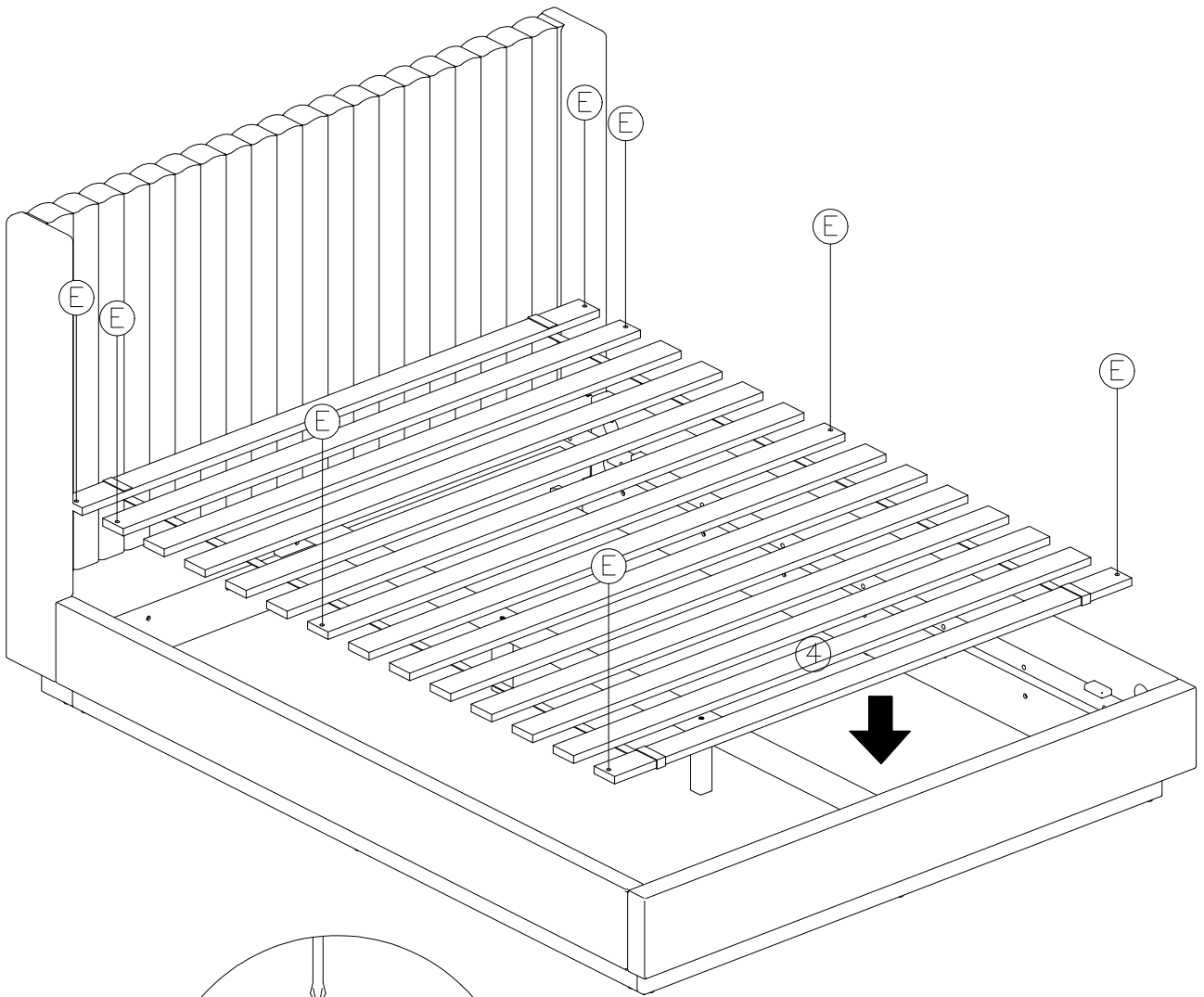


3





5



6

