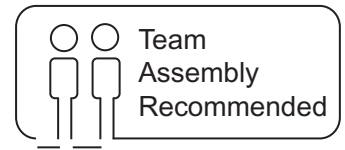
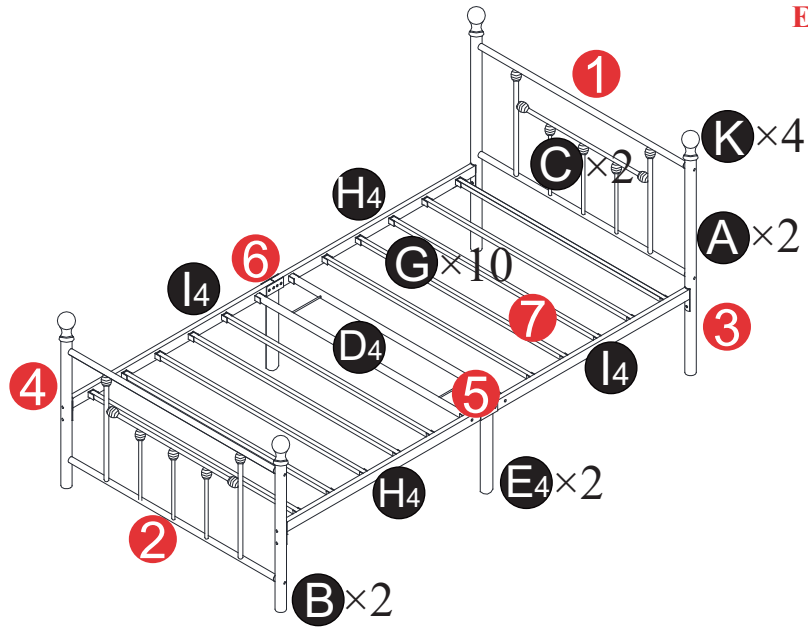
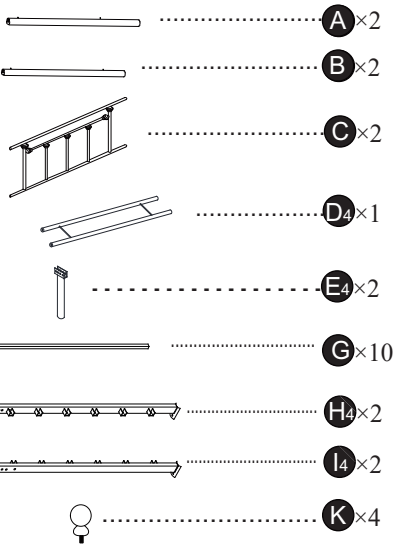


# Bed Frame Installation Manual

**#Number System**  
Easy assembly by following 1,2,3...



## Componets



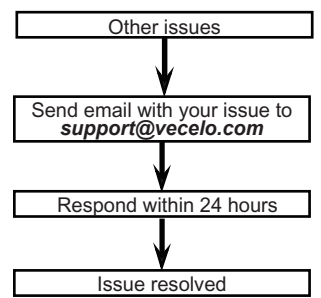
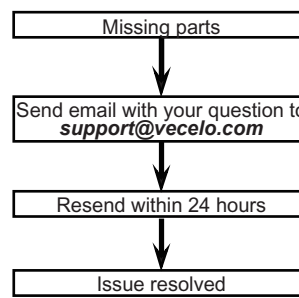
## Screws & Tools

1		M8x50mm	x8
2		M8x35mm	x8
3		M6x60mm	x8
4		M6x40mm	x4
5		M6x15mm	x4
6			x16
7		M8	x12
8		M5	x1
9		M13/M10	x1

Check all the components & screws before assembly. **Do not install in case part is missing, contact us to get.** Send email with your question to [support@vecelo.com](mailto:support@vecelo.com). We will resend within 24 hours.

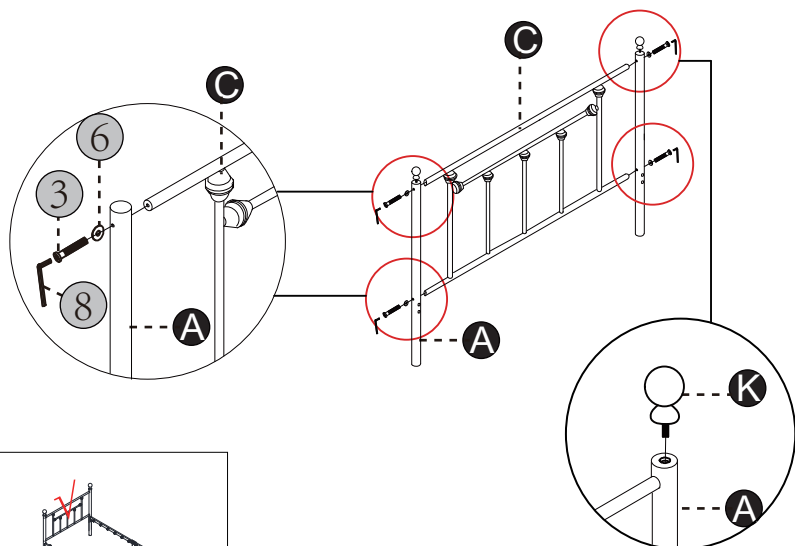


Trouble shooting:



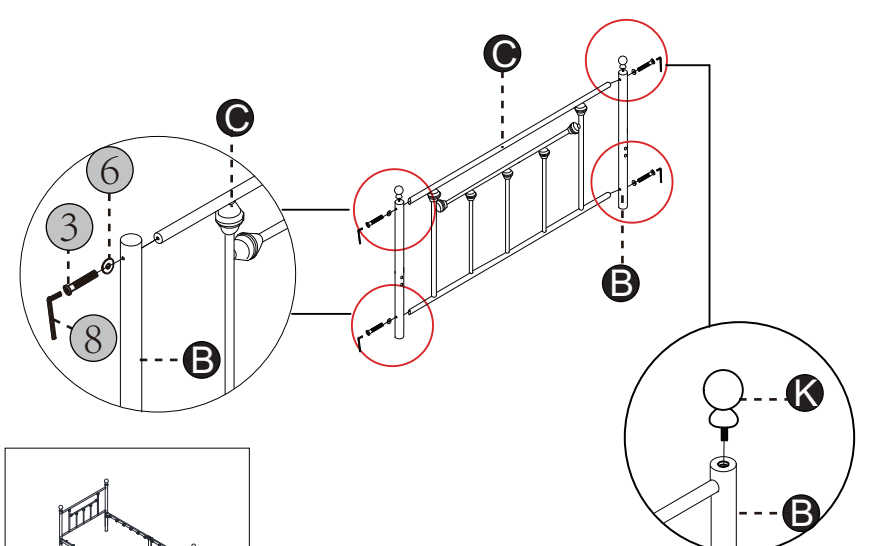
We control manufacturing and distribution ourselves, ensure the quality.

## 1 Headboard assembly



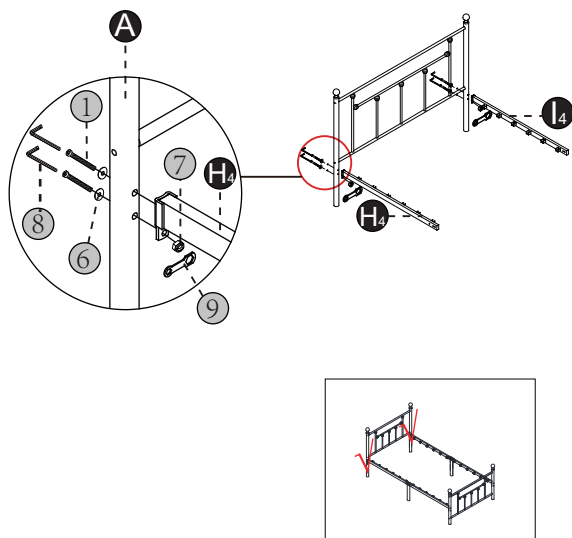
Note:  
In this step, do not tighten screw 3

## 2 Footboard assembly

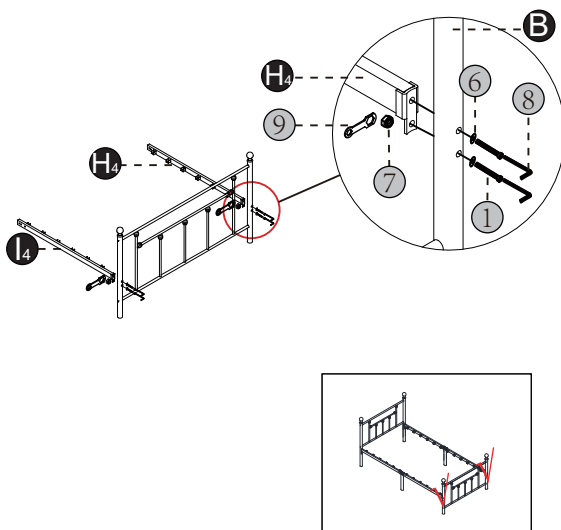


Note:  
In this step, do not tighten screw 3

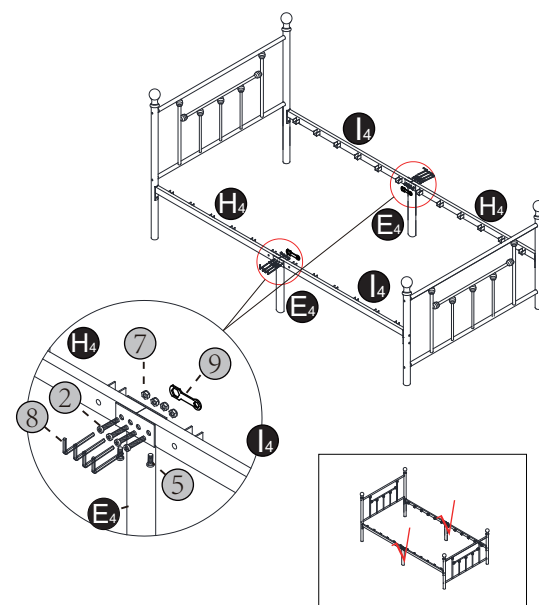
**3** Connect **H<sub>4</sub>** & **L<sub>4</sub>** to headboard



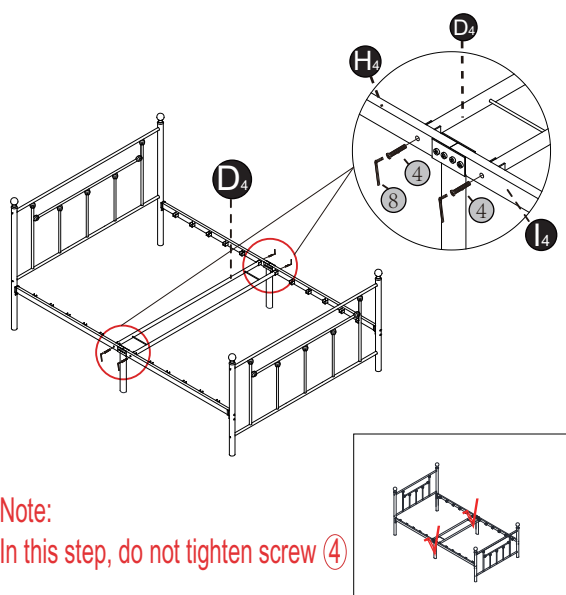
**4** Connect **H<sub>4</sub>** & **L<sub>4</sub>** to footboard



**5** Connect **E<sub>4</sub>** to **H<sub>4</sub>** & **L<sub>4</sub>**

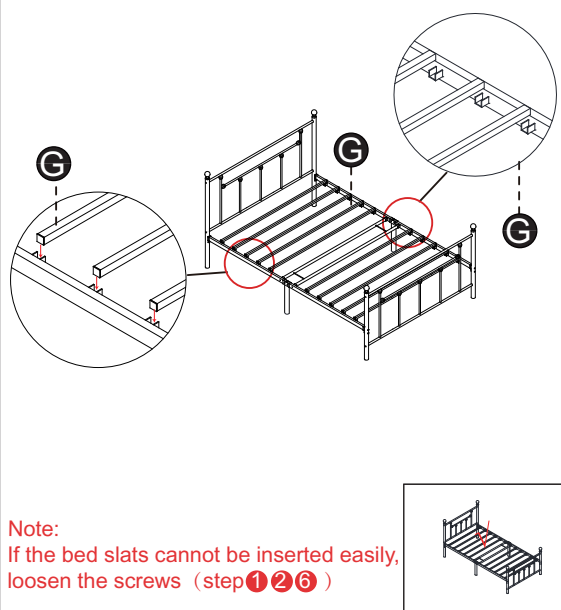


**6** Connect **D<sub>4</sub>** to **H<sub>4</sub>** & **L<sub>4</sub>**



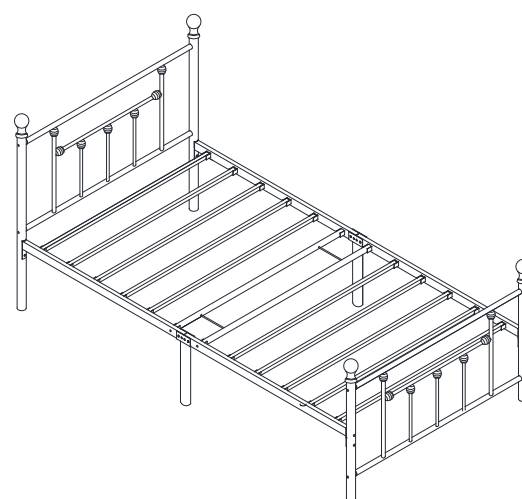
Note:  
In this step, do not tighten screw **4**

**7** Assemble bed slats



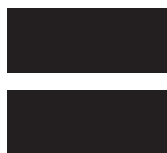
Note:  
If the bed slats cannot be inserted easily,  
loosen the screws (step **1 2 6**)

**8** Check and tighten all screws



## We'd Love to Hear from You!

Receive our \$20 gift card rewards right now



### CAUTIONS!

