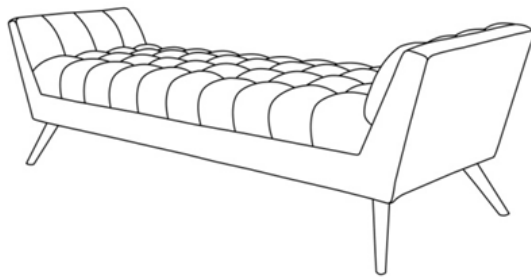


BENCH





Thank you for purchasing the **BENCH!**

Before you start, here is some helpful advice:

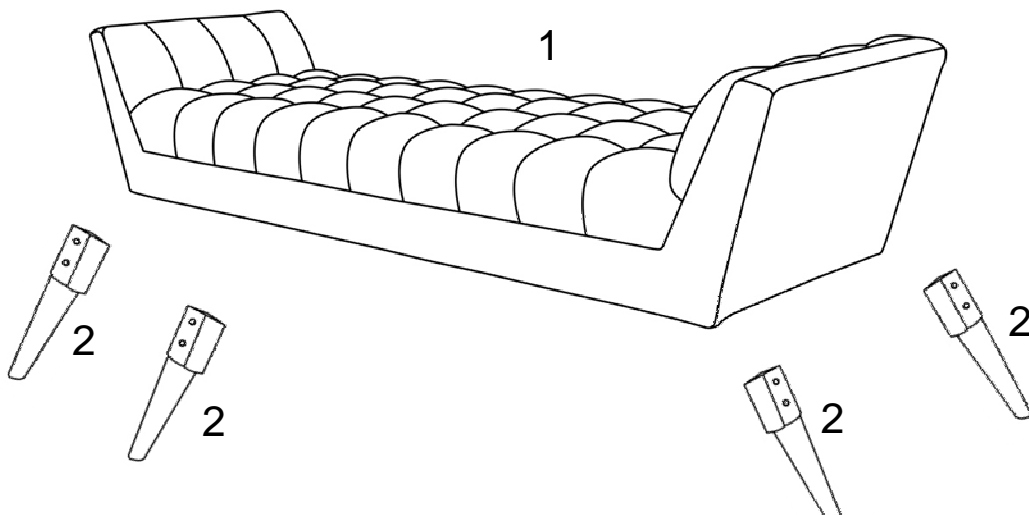
1. We suggest you spend a short time reading through this leaflet and then follow the simple step by step instructions.
2. Owing to the size and weight of the bench, we recommend that it is assembled by two adults, on a carpeted or padded area, in the room that it is intended for. Approximate assembly time: 15 minutes.
3. Please do not use any tools other than those provided or recommended in these instructions.
4. Please do not throw away any of the packaging or instructions until you have checked all the components and hardware and the furniture is fully assembled.
5. Assemble all components loosely until advised to tighten. Depending on use, it may be necessary to tighten the components from time to time, so please save the tools that have been provided.
6. Please keep all pieces out of reach of small children.



Hardware:

A		Bolt	x8
B		Spring Washer	x8
C		Flat Washer	x8
D		Allen Wrench	x1

Component:



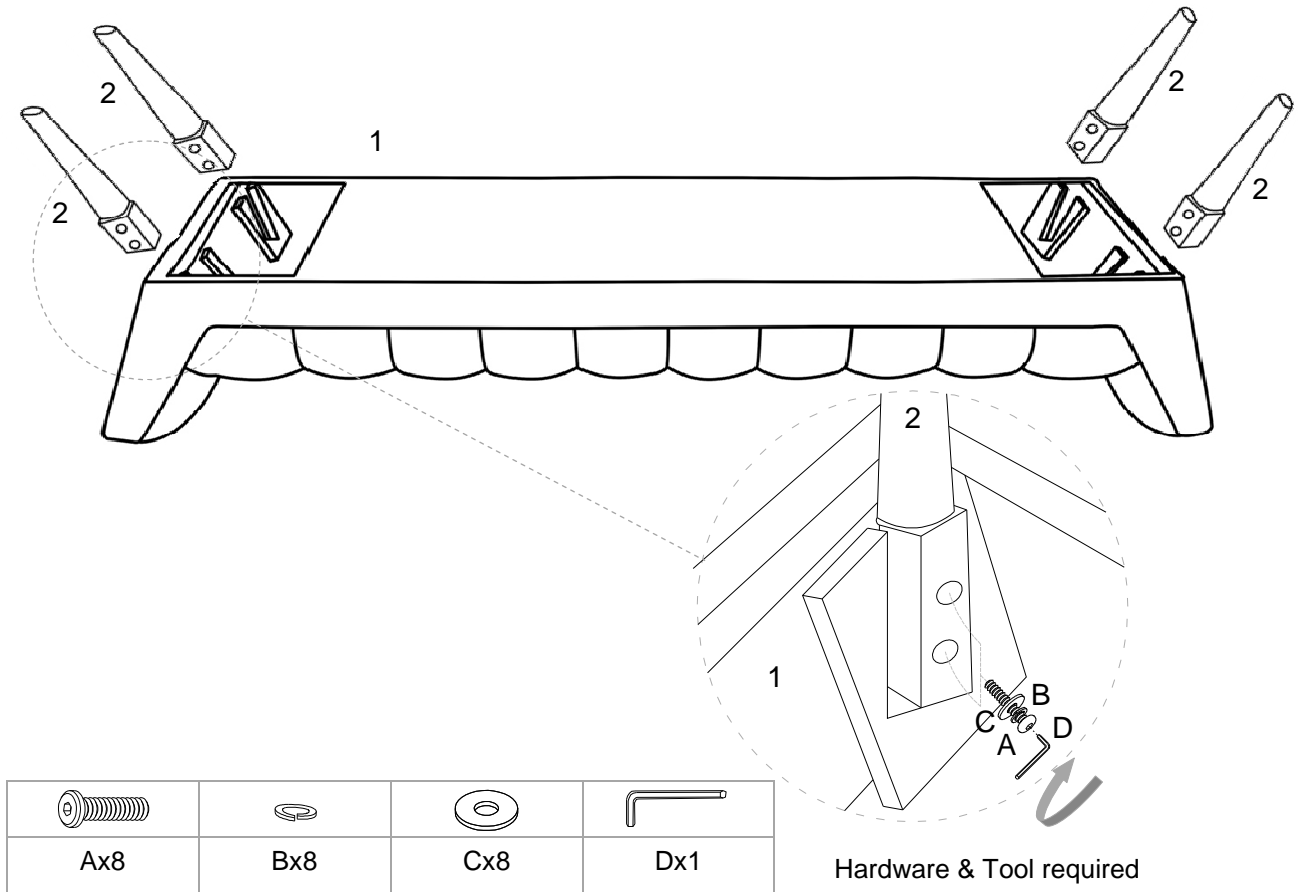
1 Bench Body x1

2 Bench Leg x4

BENCH

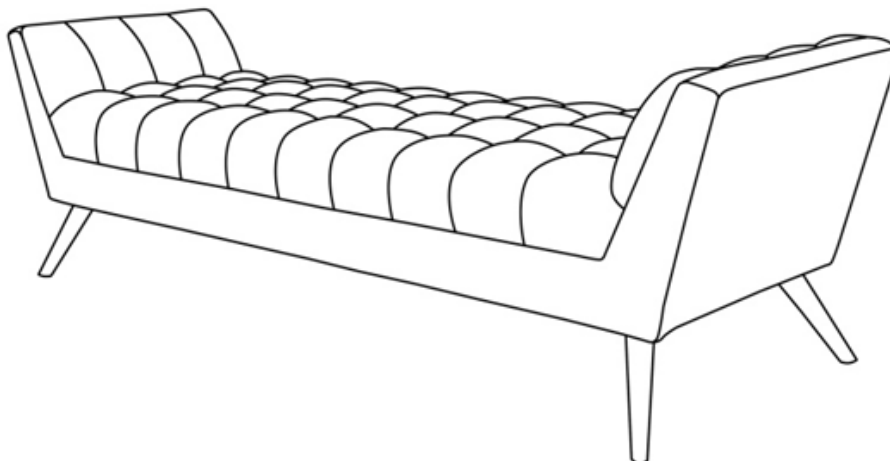
STEP 1:

Please put the **Bench Body (1)** upside down on a carpeted or padded area by two adults to make fully visible the corners. Find the 4pcs **Bench Legs (2)** and hardware package placed inside two bags on the bottom of the **Bench Body (1)**. Position one of **Bench Legs (2)** at one of the four wooden corners. Insert 2 pieces of each **Spring Washer (B)**, **Flat Washer (C)** into 2 pieces of **Bolt (A)** as shown. Then insert assembled 2 pieces of **Bolts (A)** into the corner to connect the **Bench Leg(2)**. Use **Allen Wrench (D)** to tighten all of **Bolts (A)**. Repeat the same steps for the remaining three **Bench legs (2)**.



STEP 2:

Carefully turn over the bench.



Assembly is completed. The bench is ready to enjoy now!