

ASSEMBLY INSTRUCTIONS

MODEL:TSS-50073-18" DINING CHAIR


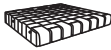
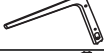

Dear Customer,






Thank you for purchasing our furniture products.

Read instructions carefully. See hardware and furniture part list for guidance. Be sure all part is complete before assembly. Place all wooden furniture parts on a clean and flat surface to prevent from being scratched. Follow the figure to start assembling.

Cautions:

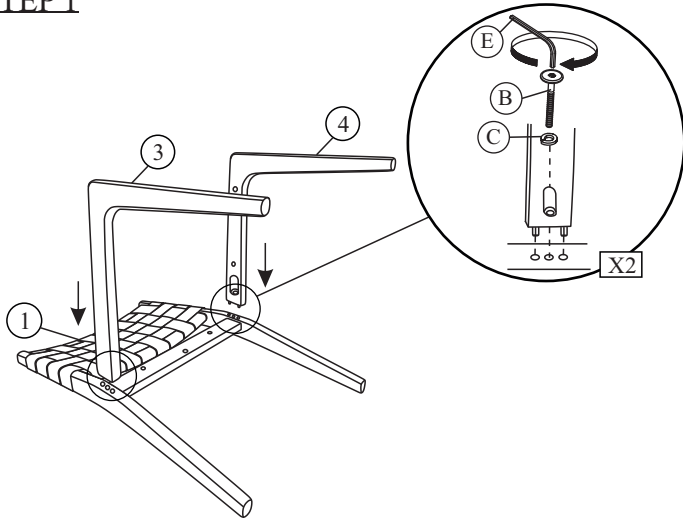
1. Check contents against list for quantity.
2. Familiarize yourself with the components and hardware by reviewing the Assembly Instructions.
3. Do not over tightened the screws and bolts as it may damage the threads.
4. Keep all hardware parts out of reach children.

PART LIST:			
NO.	DESCRIPTION	SKETCH	QTY
1	CHAIR BACK		1PC
2	BOX SEAT		1PC
3	FRONT LEG L		1PC
3	FRONT LEG R		1PC

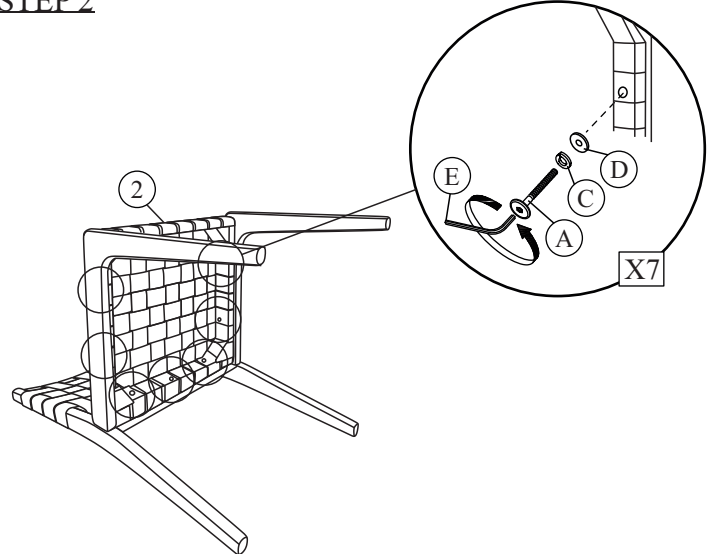
HARDWARE LIST:				
NO.	DESCRIPTION	SKETCH	SIZE	QTY
A	JCBC SCREW		M6 x 35MM	2 PCS
B	JCBC SCREW		M6 x 50MM	7 PCS
C	SPRING WASHER		M6	9 PCS
D	FLAT WASHER		M6	7 PCS
E	ALLEN KEY		M4	1 PC

Note: Do not fully tighten the bolt until all the bolts are ready for assembly.

STEP 1

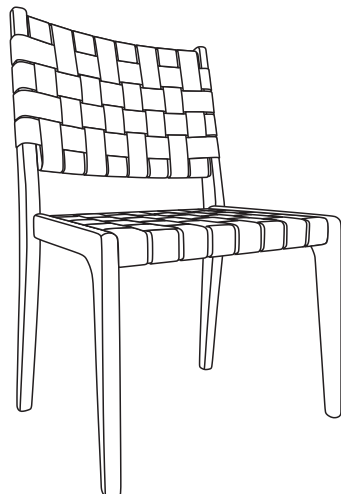


STEP 2



Do not fully tighten at this moment

Finished



Adjust the front legs so that chair is level and does not wobble.

Tighten all the bolts and take care do not over tighten.