

Lago 060 WG

Features

- Bathroom Sink
- Made of Ceramic
- Glossy White Finish
- Without Overflow
- Countertop (Vessel) Installation
- Thin Edge: Reduced Thickness for a Captivating Design (5 mm)
- Made in Europe



Related Items:

- WSBC 00076 | Push Waste Drain
- WSBC 53922 | Decorative Trap


Sink Finishes:

 Glossy White

SKU# | Options:

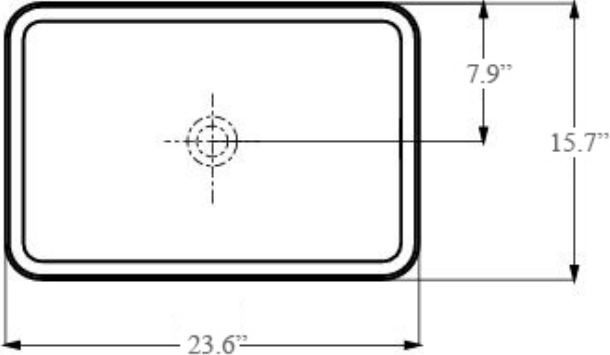
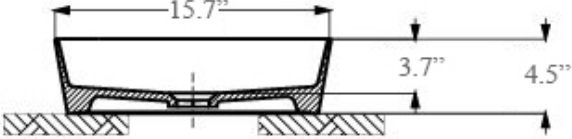
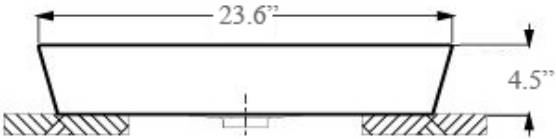
- Lago 060 WG | Glossy White

* WS Bath Collections reserves the right to revise dimensions or information on this sheet without notice

Collections Lago	Model Lago 060 WG	Dimensions Metric <i>1 inch = 2.54 cm</i> <i>1 inch = 25.4 mm</i>	 1051 Lea Drive - Collegeville, PA 19426 Tel. 215 513 9400 - Fax 610 831 0215 www.ws bathcollections.com - info@ws bathcollections.com
------------------------------	-------------------------------	--	---

Lago 060 WG

Weight: 25.0 lbs.



* WS Bath Collections reserves the right to revise dimensions or information on this sheet without notice

Collections |
Lago

Model |
Lago 060 WG

Dimensions Metric
1 inch = 2.54 cm
1 inch = 25.4 mm

WS®
BATH
COLLECTIONS
1051 Lea Drive - Collegeville, PA 19426
Tel. 215 513 9400 - Fax 610 831 0215
www.ws bathcollections.com - info@ws bathcollections.com

We recommend the following items that work with your sink.

Lago 060 WG

TRAPS



WSBC 53922
Our best seller

 Polished Chrome
WSBC 53922.29

 Matte Black
WSBC 53922.22



WSBC 5392

 Polished Chrome
WSBC 5392.29



WSBC 53925

 Polished Chrome
WSBC 53925.29



WSBC 53921
Space saving

 Polished Chrome
WSBC 53921.29

 Matte Black
WSBC 53921.22

DRAINS



WSBC 00076

Push waste drain (click clack) - universal with or without overflow

 Polished Chrome
WSBC 00076.29

 Glossy Black
WSBC 00076.18

 Glossy White
WSBC 00076.09

 Matte Black
WSBC 00076.22

 Matte White
WSBC 00076.26

MOUNTING HARDWARE

Wall-mount installation

Vessel/ countertop installation



Bolts



Silicone (optional)

Collection
Lago

Model |
Lago 060 WG

Dimensions Metric
1 inch = 2.54 cm
1 inch = 25.4 mm

WS[®]
BATH
COLLECTIONS

1051 Lea Drive - Collegeville, PA 19426
Tel. 215 513 9400 - Fax 610 831 0215
www.ws bathcollections.com - info@ws bathcollections.com