

# PARTS AND HARDWARE

Avoid using sharp objects such as a knife to cut open packing as you may accidentally damage the upholstery



A. BOLT M8\*50MM  
X9



B. SPRING WASHER  
X9



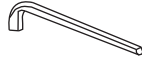
C. ADJUSTMENT  
FOOT NAIL  
X5  
(4pcs assembled on leg  
1pc for additional)



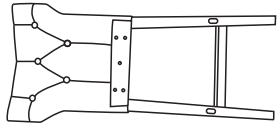
D. FLAT WASHERS  
X9



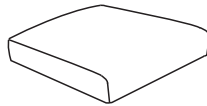
E. M4\*40MM  
X6



F. ALLEN KEY  
X1



1. BACKREST WITH  
REAR LEGS  
X1



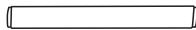
2. SEAT  
X1



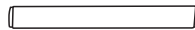
3. LEFT LEGS  
X1



4. RIGHT LEGS  
X1



5. LEFT SIDEBAR  
X1



6. RIGHT SIDEBAR  
X1

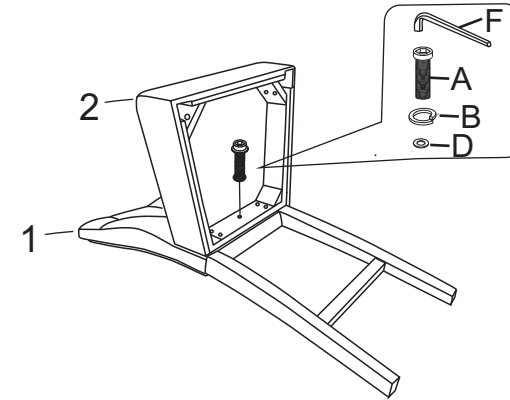


7. FRONT GEAR  
X1

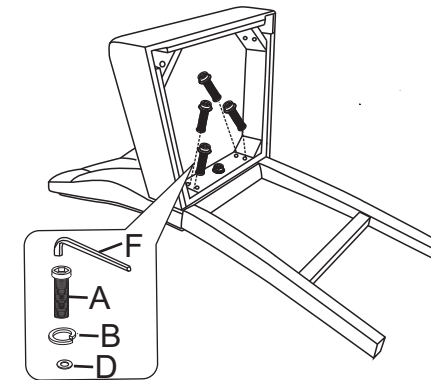
# ASSEMBLY INSTRUCTIONS

Do not fully tighten bolts until assembly is complete

1

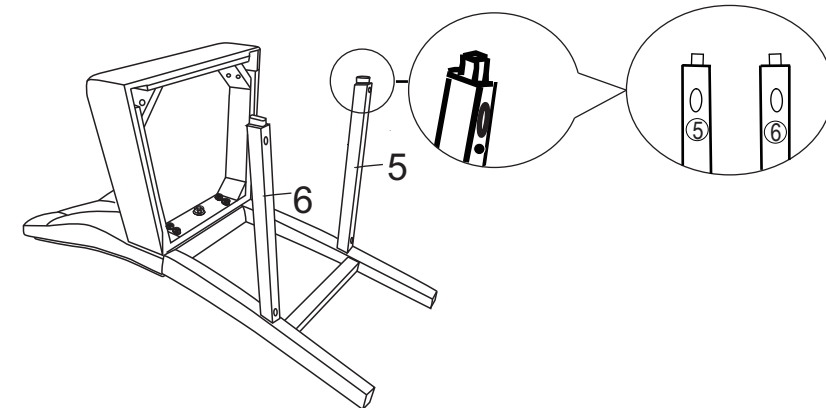


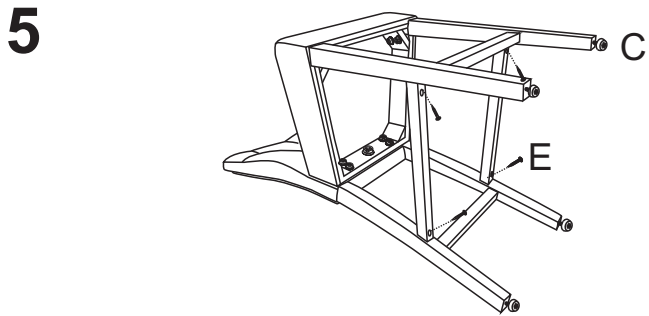
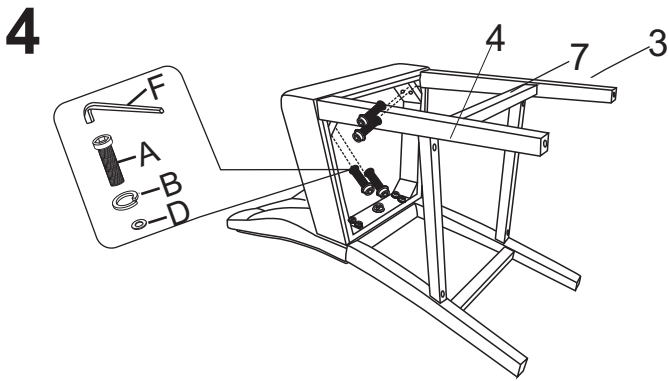
2



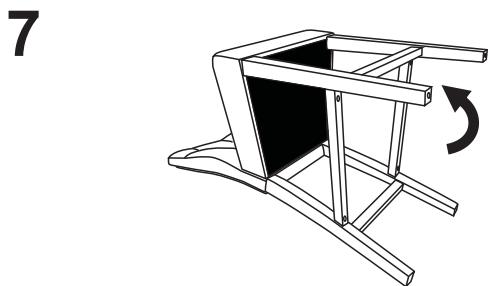
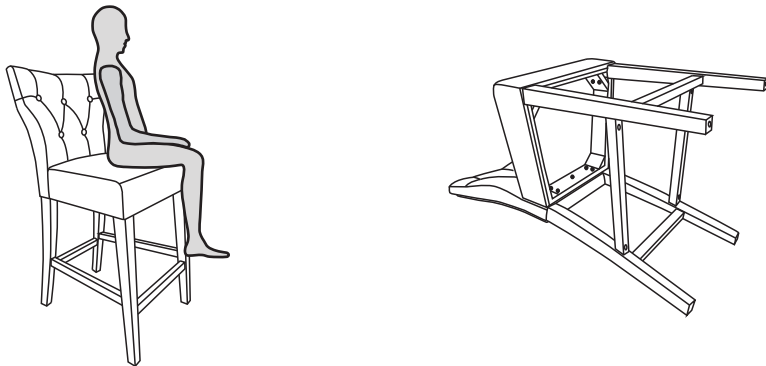
3

Pls note the parts marked 5&6 should be on front as photo shows.

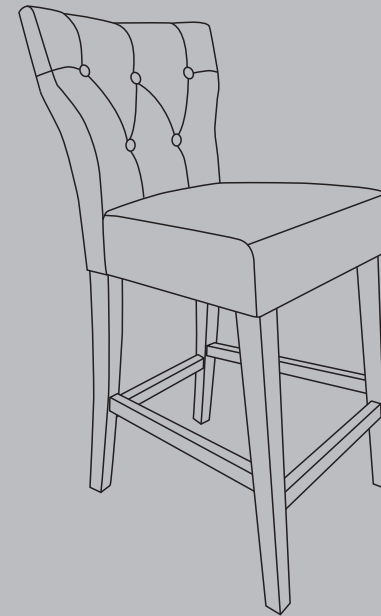




**6** Once level on ground, now tighten 100%



## BAR STOOL



### ADULT ASSEMBLY REQUIRED

If you are missing any parts or have any questions regarding assembly, please contact us On-line, and have this assembly manual open to the parts list ready to provide the model name and part name or number



**WARNING:** This product may contain small components, please ensure they are kept away from small children.