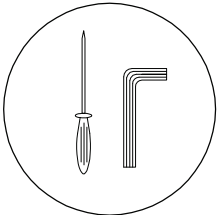
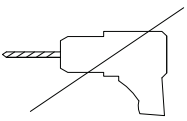
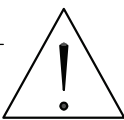
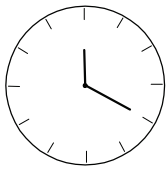
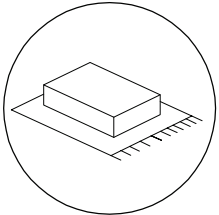
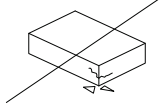
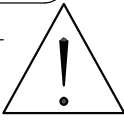
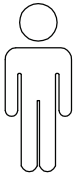

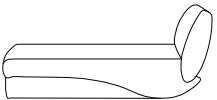
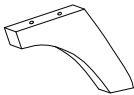

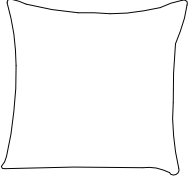
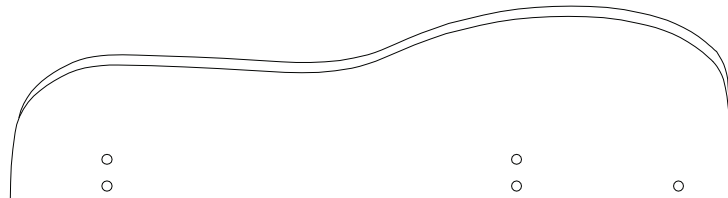
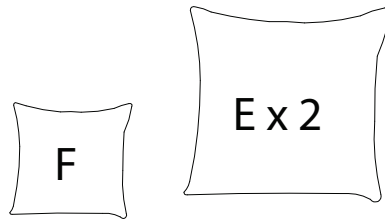
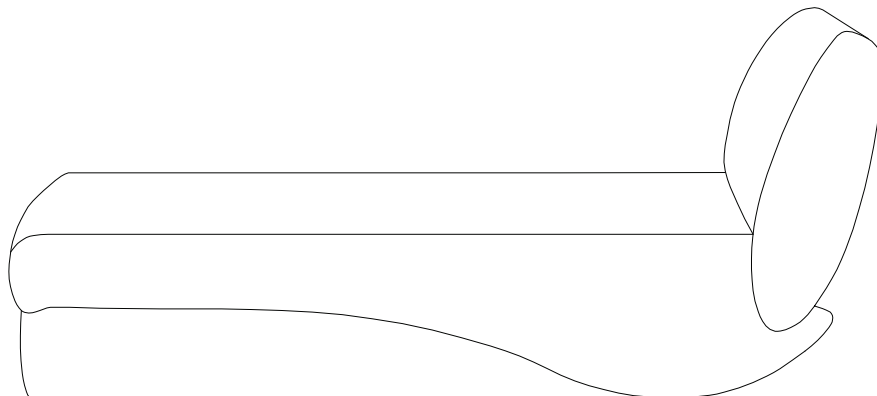


| | | |
|---|---|---|
|   |  |  |
| | | 20' |
|   |  |  |
| | | 1 |

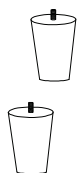
| | | | | |
|---|---|---|---|---|
| A | B | C | D | E |
|  |  |  |  |  |
| x 1 | x 1 | x 2 | x 2 | x 2 |



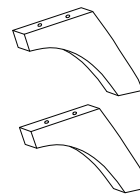
A



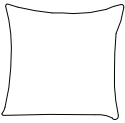
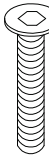
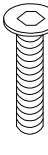
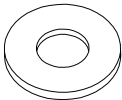

B



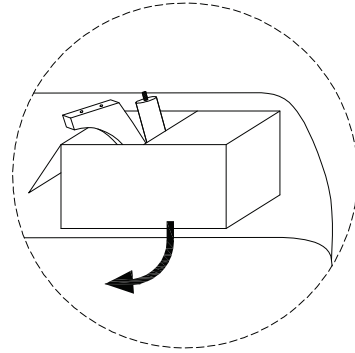
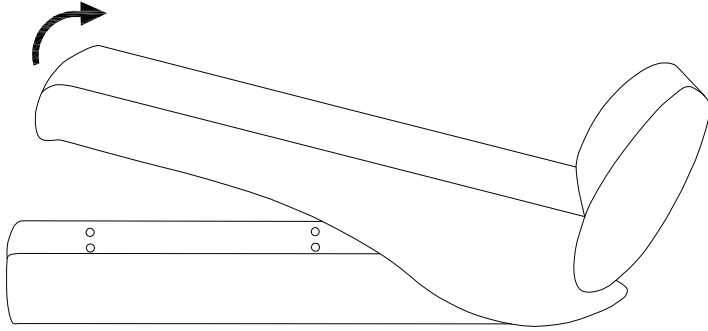
C x 2






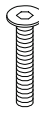
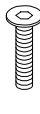
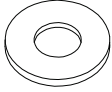
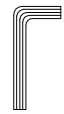
D x 2

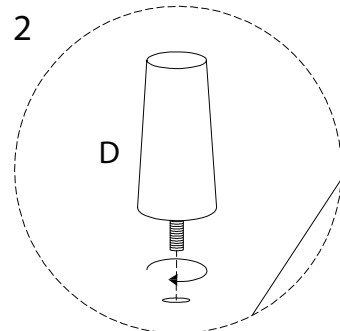
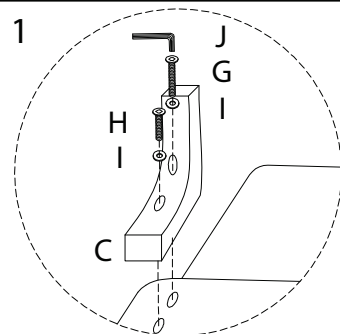
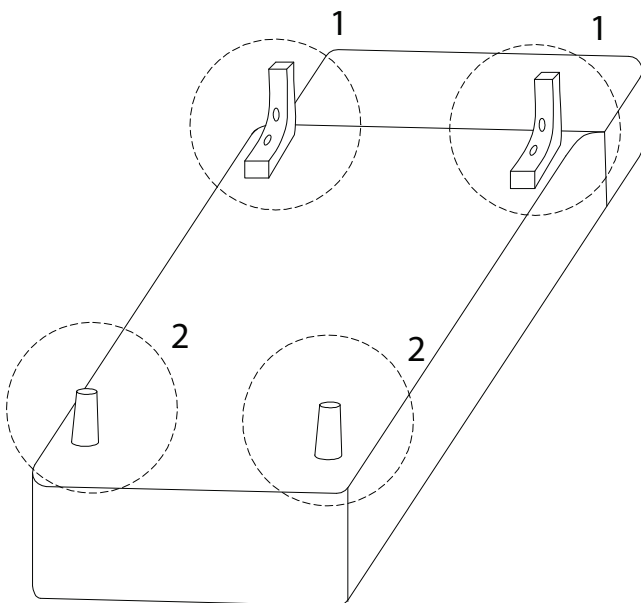
| | | | | |
|---|---|---|--|---|
| F | G | H | I | J |
|  |  M8 x 80 |  M8 x 60 |  |  |
| x 1 | x 2 | x 7 | x 9 | x 1 |

!

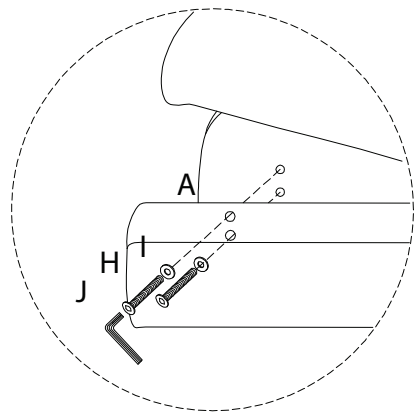
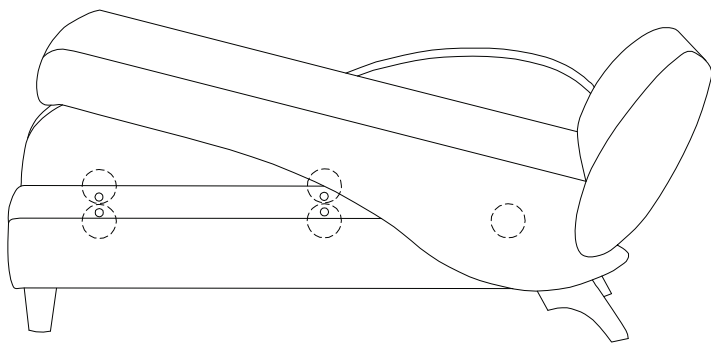
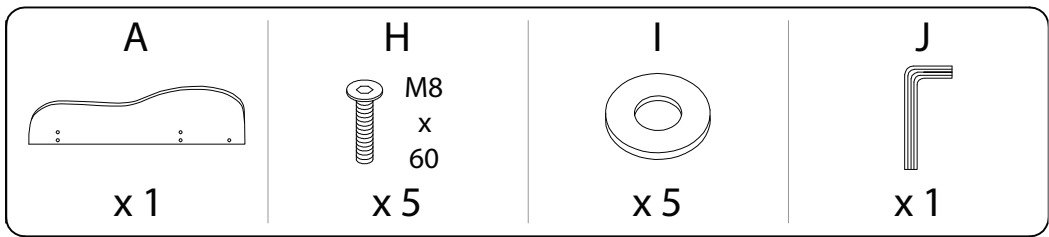


1

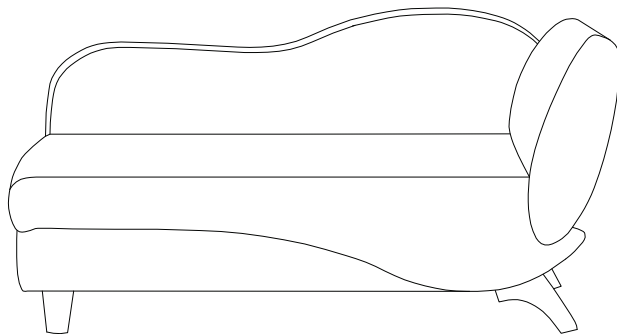
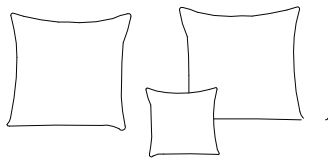
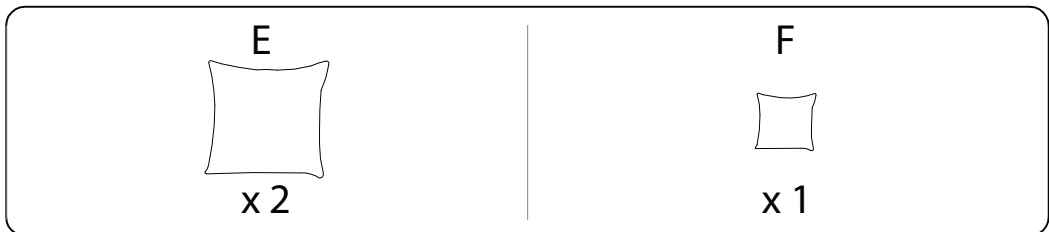
| | | | | | | |
|---|---|---|--|---|---|---|
| B  x1 | C  x2 | D  x2 | G  M8 x 80 x2 | H  M8 x 60 x2 | I  x4 | J  x1 |
|---|---|---|--|---|---|---|



2



3



4

