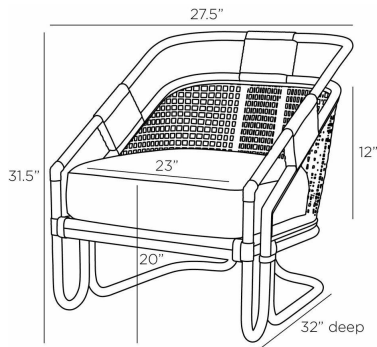


ARTERIOS

BEGALA LOUNGE CHAIR



FRS08

H: 31.5 IN, W: 27.5 IN, D: 32 IN,
Bone Linen

Woven in an American Art Deco style, our gray-washed finished lounge chair utilizes an intriguing mix of open and closed rattan. Featuring a high square back and serpentine arms, a cushion of ivory linen completes this comfortable lounge chair. Rattan and leather will vary.

APPEARANCE

Material	Linen, Rattan
Finish	Bone, Gray Wash
Finish Will Vary	Yes
Top Coat/Sealant	Yes
Textile Contract Suitability	Low Traffic/Private Spaces

DIMENSIONS

Arm	H: 26.5 IN
Foot Print	W: 26.5 IN, D: 27 IN
Seat	H: 20 IN, W: 23 IN, D: 25 IN
Seat Back	H: 12 IN, W: 19 IN
Diagonal Dimension	32 IN
Clearance	10 IN

SHIPPING

Product Weight	39.7 lbs
Gross Weight 1	44.1 lbs
Gross Weight 2	8 lbs
Shipping Box 1	H: 34.8 IN, L: 30 IN, W: 33.5 IN
Shipping Box 2	H: 8 IN, L: 34.8 IN, W: 34.8 IN

ADDITIONAL INFO

Features	Sustainable
Swatch Number	L17SW
Fabric Compliancy	Barrier Cloth used for TB117-2013 and NFPA-260
Fabric Content	100% Belgian Linen
Fabric Cleaning Code	S - dry clean only
Seating Type	Tight Wrapped Dacron Foam
Leg Or Foot Application	Glides

CONTRACT

Contract Suitable	Not for use in high traffic/public spaces
Fabric Composition	100% Belgian Linen