

Assembly Instruction

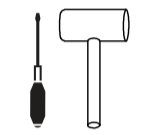
3 Tier Shelf Bookcase

00:30

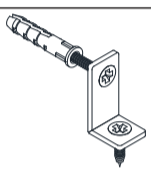
Approx. 30 minutes



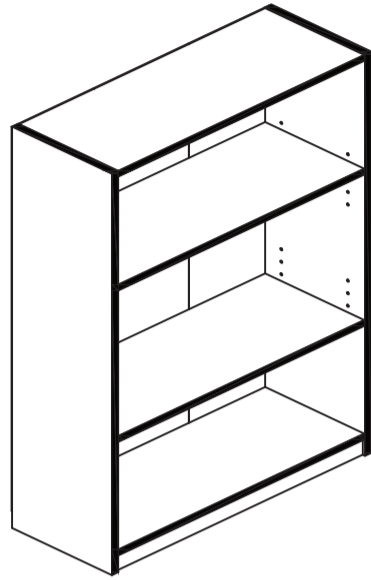
Recomm. 2 Person



Tool Required

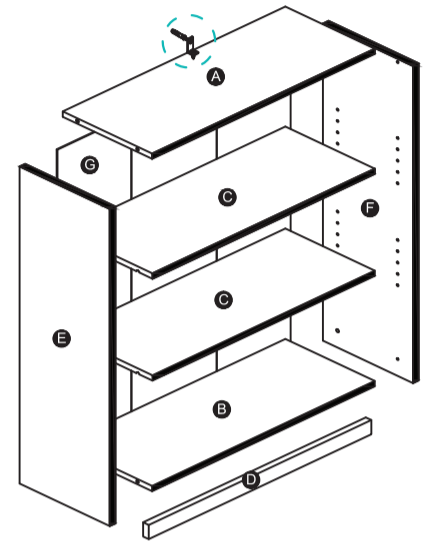


Wall Plug



No	Hardware List	Qty
1	Small Screw	4pcs
2	Mini Fix Cam	8pcs
3	Mini Fix Bolt	8pcs
4	Wall Mounting Set	1set
5	Shelving Support	8pcs
6	L Bracket	2pcs
7	Power Pin	28pcs

No	Parts List	Qty
A	Top Panel	1pc
B	Bottom Panel	1pc
C	Shelf Panel	2pcs
D	Bottom Bar	1pc
E	Left Side Panel	1pc
F	Right Side Panel	1pc
G	Back Panel	1set

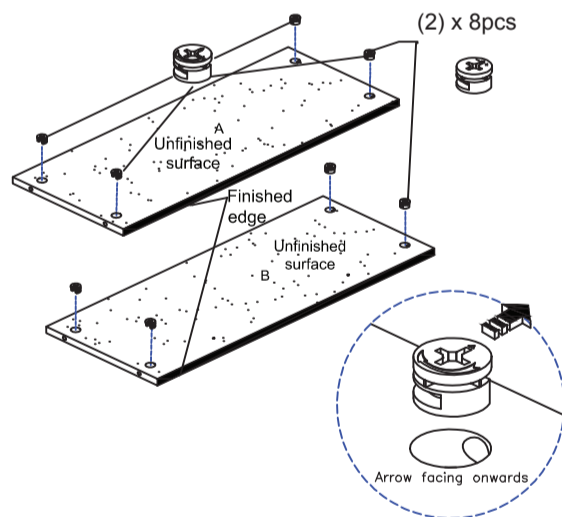


USEFUL HINTS BEFORE YOU START:

1. Read each step carefully before starting.
2. It is important that each step is performed in correct order to avoid difficulties.
3. Identify, sort and count the parts before assembly.
4. Assemble your furniture on packaging cardboard to prevent scratch or damage.
5. Clean the product with mild cleanser using soft dampened cloth. Do not use harsh or abrasive cleanser.
6. Using incompatible hardware might cause damage to product.

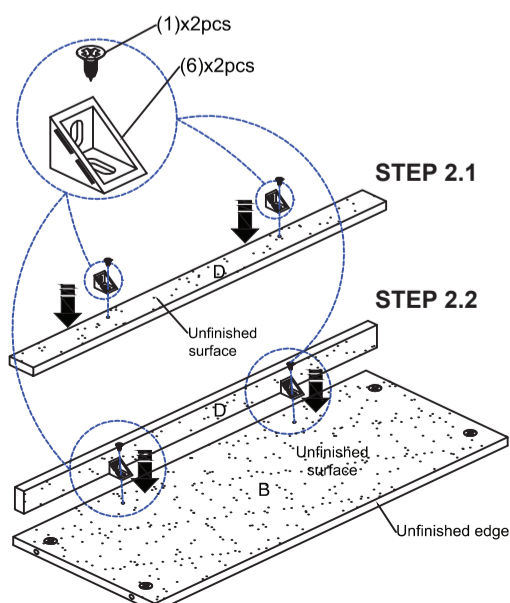
STEP 1

Insert Mini Fix Cam (2) to Panel (A&B), as shown.



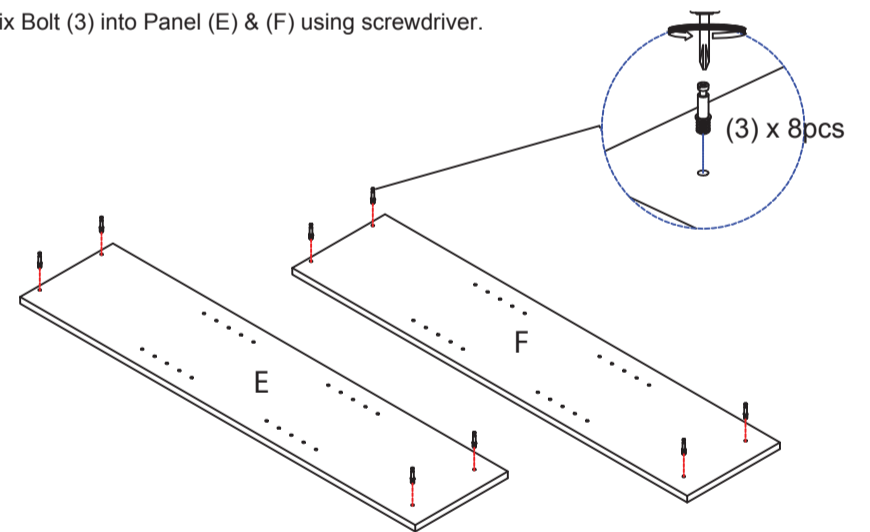
STEP 2

- 2.1 Install L Bracket (6) to Bar (D) with Small Screw (1).
- 2.2 Attach assembled unit to Panel (B) with Small Screw (1).



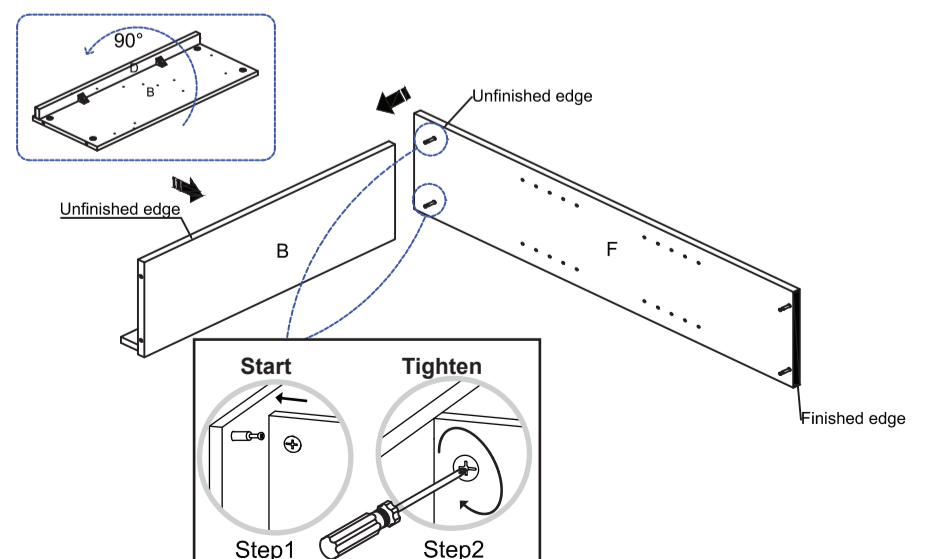
STEP 3

Insert Mini Fix Bolt (3) into Panel (E) & (F) using screwdriver.



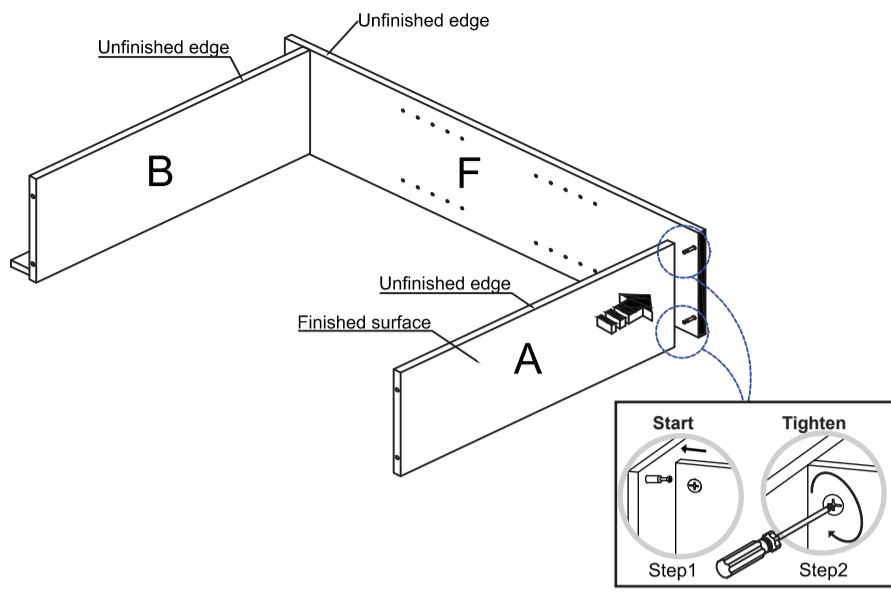
STEP 4

Attach Panel (F) to assembled unit in Step 2, as shown.



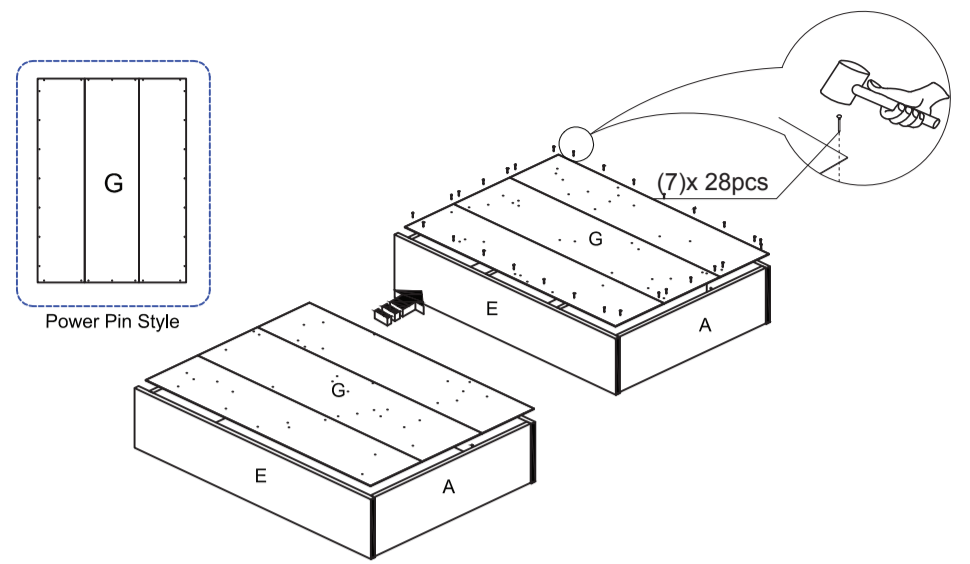
STEP 5

Attach Panel (A) to Panel (F), as shown.



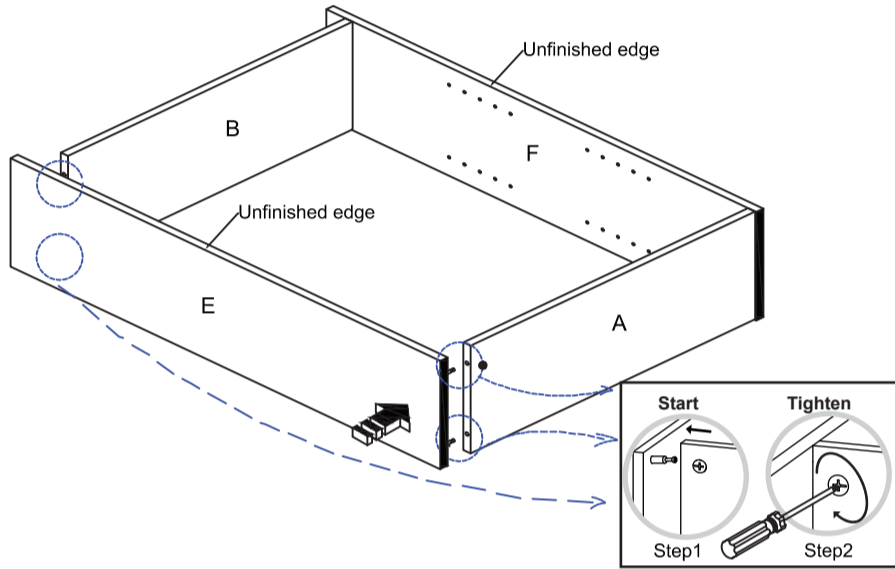
STEP 7

Attach Panel (G) to the back of the assembled unit using Power Pin (7).



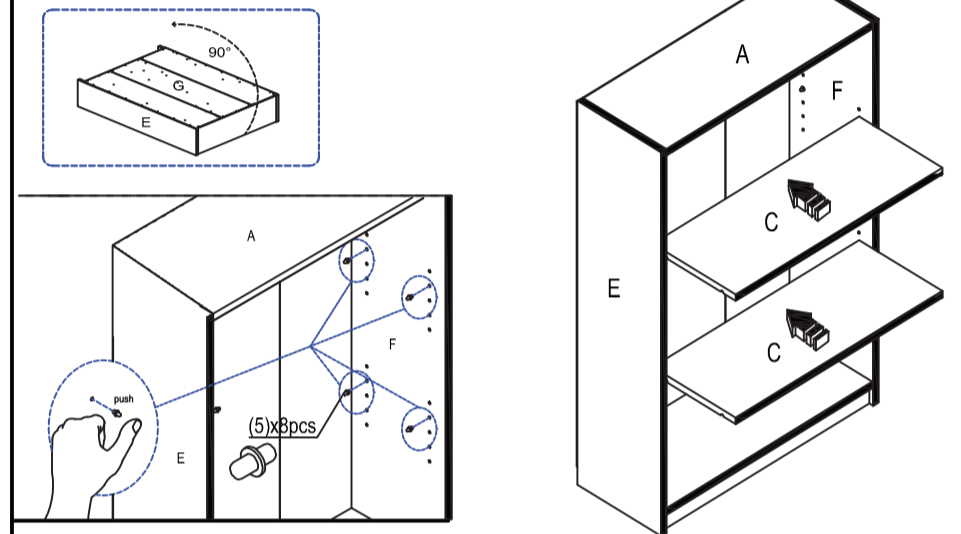
STEP 6

Attach Panel (E) to Panel (A&B), as shown.



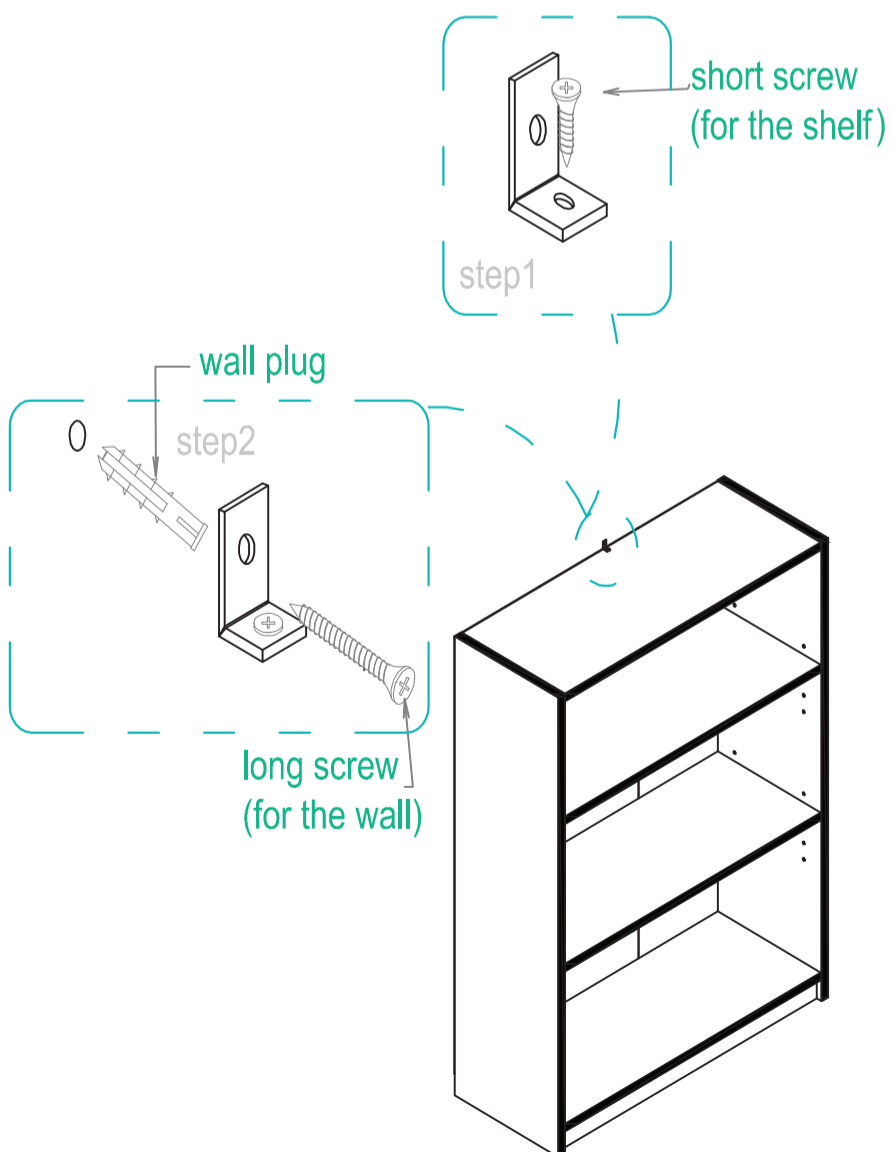
STEP 8

- 8.1 Insert Shelving Support (5) to the pre-drilled holes on Panel (E&F).
- 8.2 Insert Shelf Panel (C) to the unit, as shown.

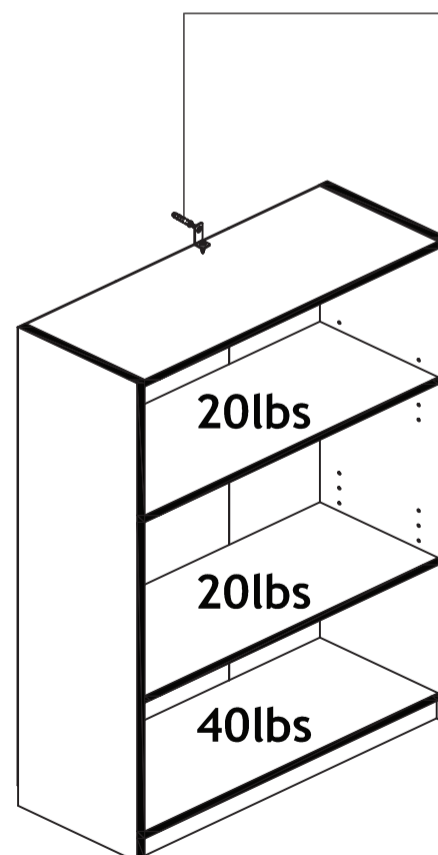


STEP 9

Fix the unit to the wall using Wall Mounting Set (4) to prevent unit from falling.



Recommended Maximum Weight



IMPORTANT: In order to prevent product tip over, please secure the unit to the wall.

WARNING:

- >This unit has been designed to support the maximum loads shown. Exceeding these load limits could cause sagging, instability, product collapse, and/or serious injury.
- >DO NOT allow children to climb on unit.
- >Put heavier items on lower shelves.