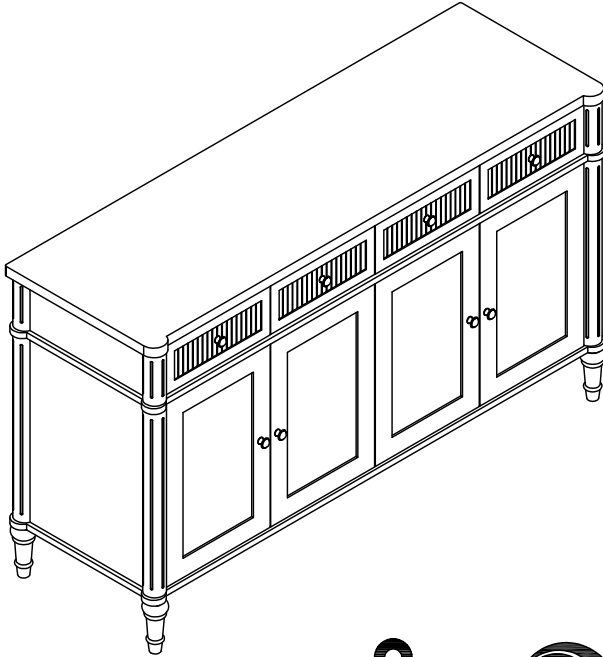


OWNER MANUAL



Weight Limitation

150 LBS



Installation:
60 minutes.



Two Person

Thank You For Choosing Our Furniture

- ▣ If you have any questions or concerns, don't hesitate to reach out to us. ▣

NOTE:

This brochure contains **IMPORTANT** safety info. Please read and keep it for future reference.

MAINTENANCE AND WARNINGS



Before You Start

Please follow the steps below:

- ⚠ Check the packaging for any damage, deformation, or water stains. If there is significant damage, please contact us promptly.
- ⚠ Unpack the box and compare the contents with the parts list and hardware list to ensure all components and accessories are present and complete.
- ⚠ Please read the installation instructions carefully to understand the installation steps and precautions to ensure proper installation.
- ⚠ Clean the installation area in advance and ensure the ground is level and there is enough space to avoid damaging the furniture or making installation difficult.
- ⚠ Lay a protective mat on the ground to prevent scratching the floor during installation.

After-Sales Service

- If you encounter any issues or need technical support during use, please contact our after-sales team. We offer long-term maintenance and warranty services.



Precautions

- ⚠ This product is for indoor use only. Do not expose it to outdoor elements or high-humidity environments.
- ⚠ Keep the product away from high heat or open flames to prevent fire hazards.
- ⚠ Do not allow children to climb on the product, as this may cause tipping and result in personal injury.



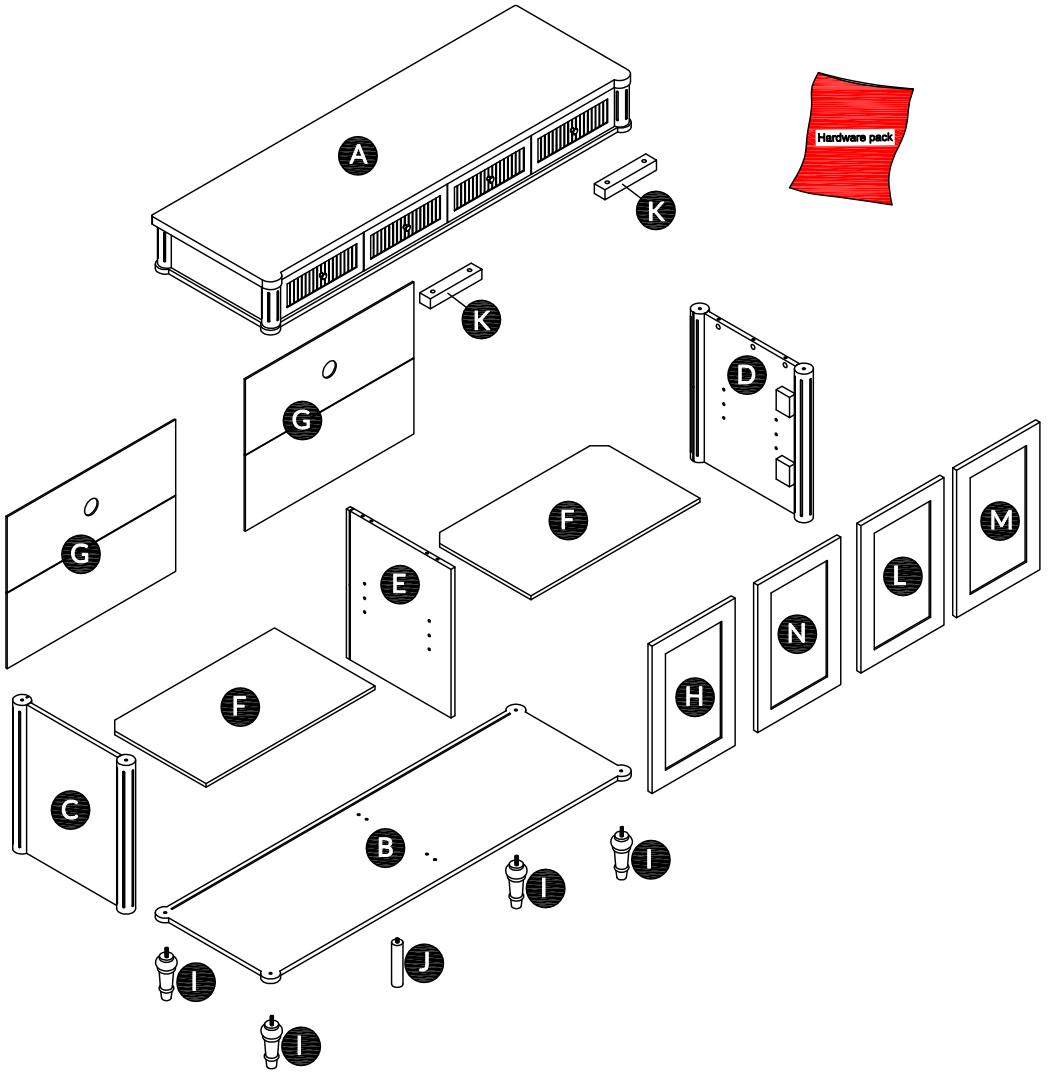
Safety Warnings

- ⚠ If you notice any loose or damaged parts, stop using the product immediately and contact customer service.
- ⚠ Do not attempt to disassemble or replace any components yourself, as this may affect the stability and safety of the product.

Daily Maintenance

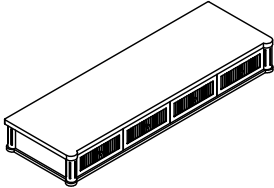
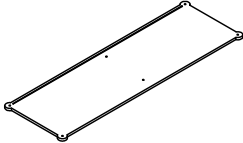
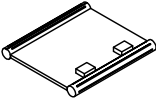
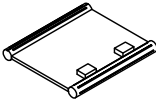
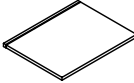
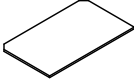
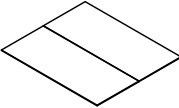
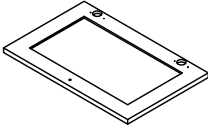


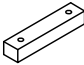
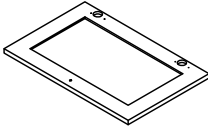
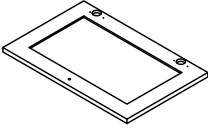
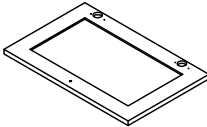

- Regularly clean the surface with a soft cloth to prevent dust accumulation.
- Do not use cleaning agents containing acids, alkalis, or corrosive substances, as they may damage the surface. It is recommended to use neutral cleaning agents or specialized furniture cleaners.
- Avoid exposing furniture to humid environments for extended periods. Use a dehumidifier or desiccant during humid weather.
- Avoid direct contact of furniture with water. If water is accidentally spilled, wipe it dry immediately.
- Avoid placing excessively heavy objects on the furniture: ensure the weight is within a reasonable load-bearing range.
- Avoid using sharp or rough items on the furniture surface to prevent scratches. Handle items gently when moving them.

Explosive view

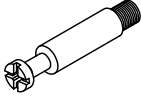

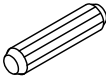

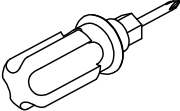
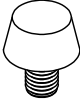


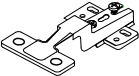
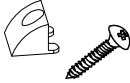

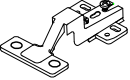



Parts list

Box A

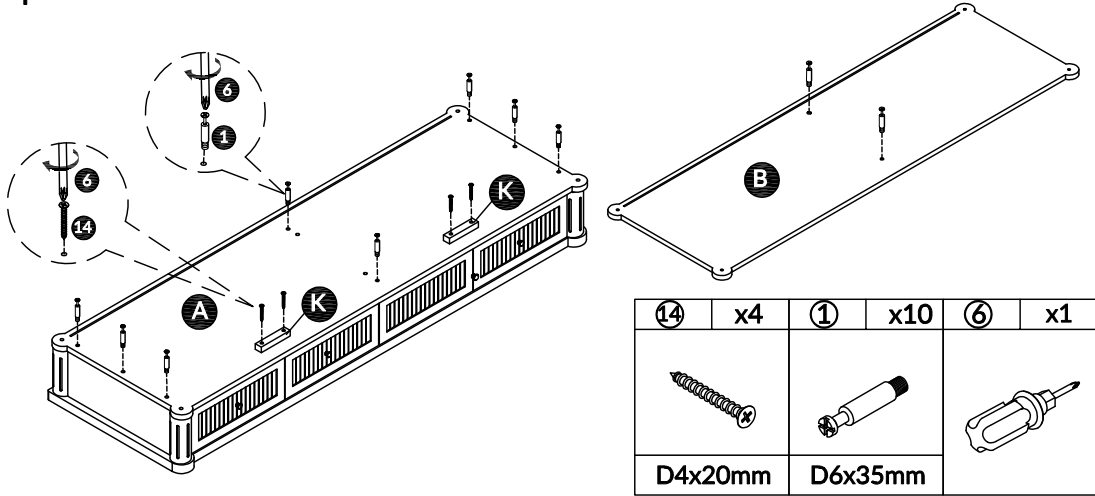
A x1 Top panel 		B x1 Bottom board 	
C x1 Side panel 	D x1 Side panel 	E x1 Middle panel 	F x2 Clapboard 
G x2 Back panel 	H x1 Door 	I x4 Leg 	J x1 Adjust the foot 
K x2 	L x1 Door 	M x1 Door 	N x1 Door 
Hardware Pack 			

Hardware List

<p>① x10+1</p>  <p>D6*35mm</p>	<p>② x10+1</p>  <p>D15*11mm</p>	<p>③ x8+1</p>  <p>D8*30mm</p>	<p>④ x4</p>  <p>D4*25mm</p>
<p>⑥ x1 Screw driver</p> 	<p>⑦ x5</p> 	<p>⑧ x2</p> 	<p>⑨ x8+1</p> 
<p>⑩ x4 Half overlay</p> 	<p>⑪ x8</p>  <p>D3*14mm</p>	<p>⑫ x48+2</p>  <p>D4*16mm</p>	<p>⑬ x4 Insert</p> 
<p>⑭ x4+1</p>  <p>D4*20mm</p>			

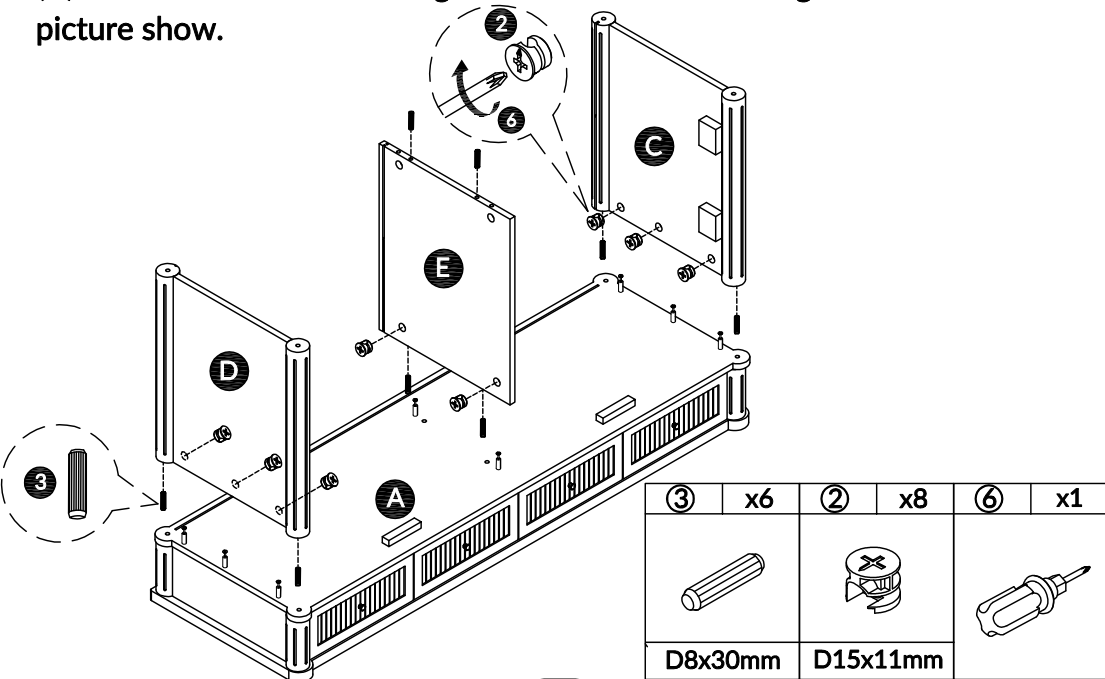
Step 1

Insert 1 into the panel A and B , make sure all holes aligned as picture show.



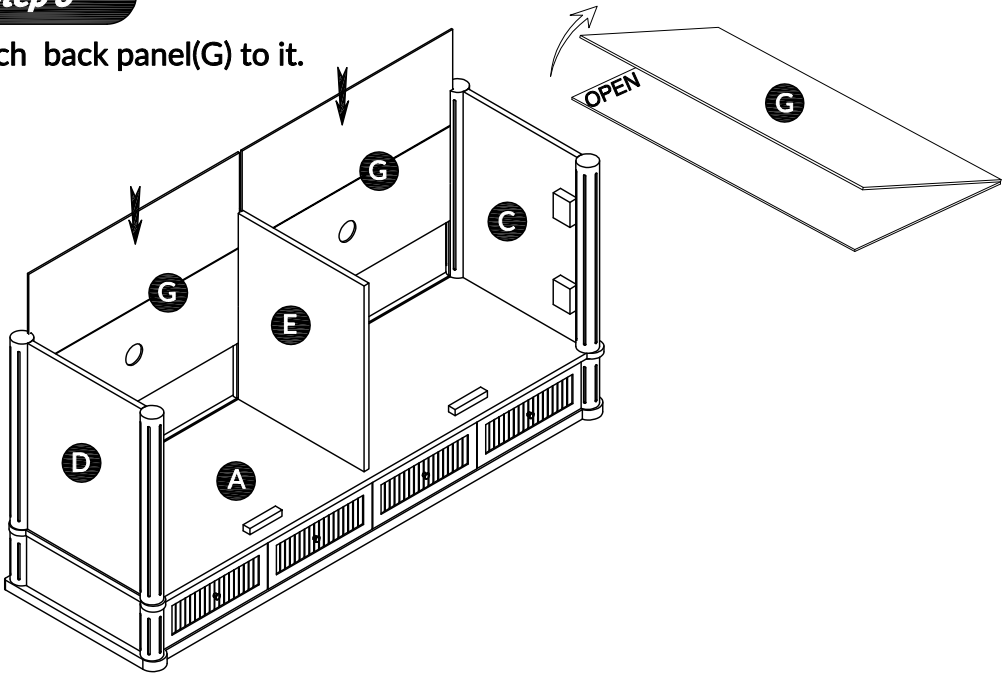
Step 2

Insert side panel C, D and E into the corresponding hole of panel (A) , make sure all holes aligned and use 2 and 3 to tighten it as picture show.



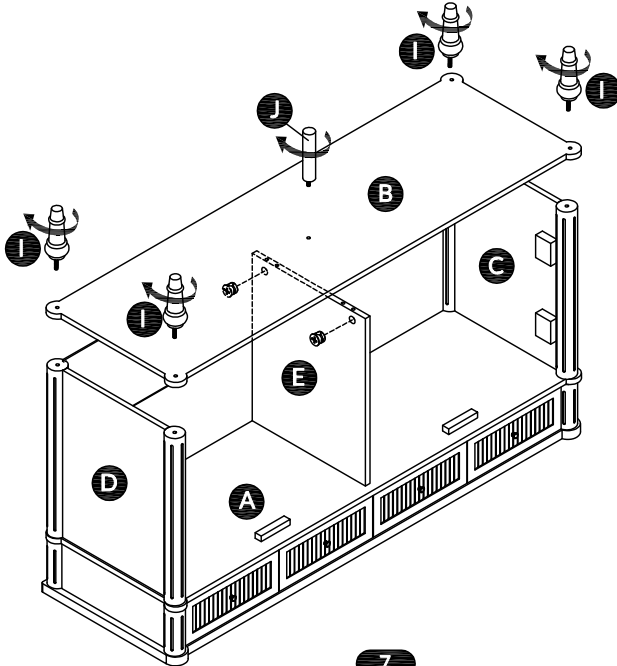
Step 3

Attach back panel(G) to it.



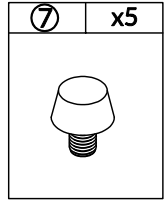
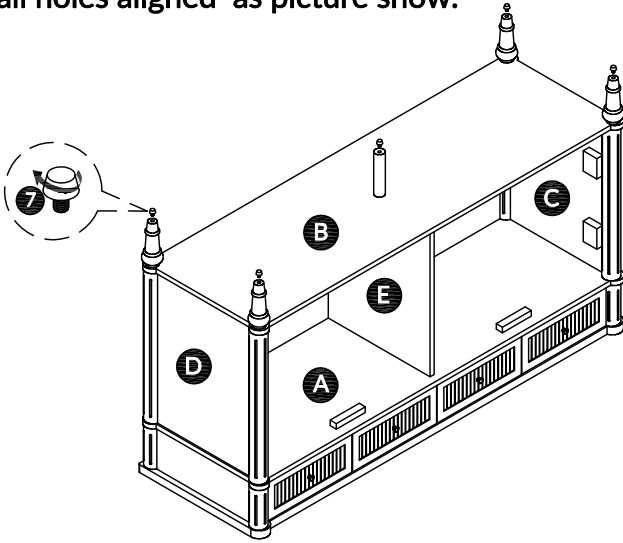
Step 4

Attach Leg I and Adjust the foot (J) back panel(B) to it.



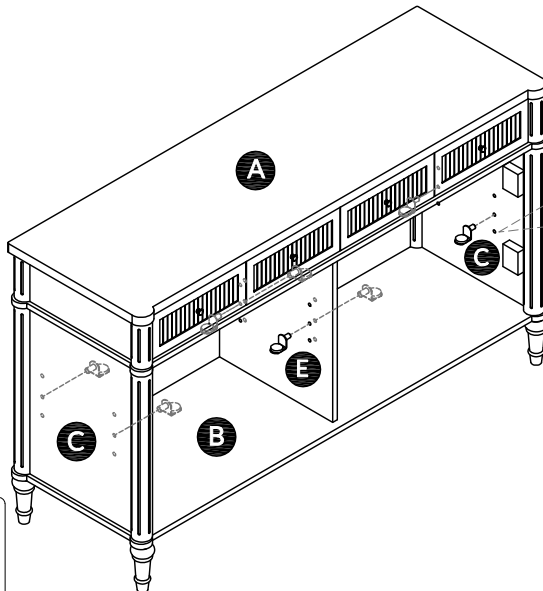
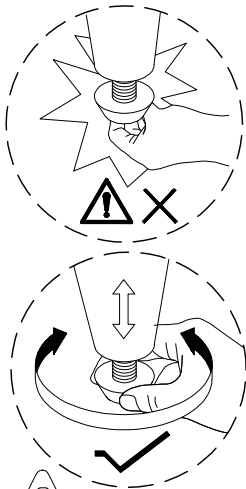
Step 5

Use (7) into the corresponding hole of Leg (I) and Adjust the foot (J), make sure all holes aligned as picture show.



Step 6

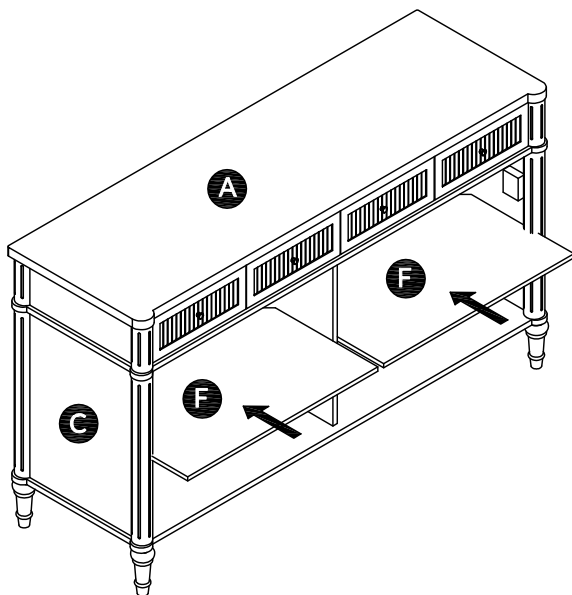
Use (9) into the corresponding hole of panel (C/E), make sure all holes aligned as picture show.



Attention:
Before the next step, adjust the feet of the locker to keep it level.

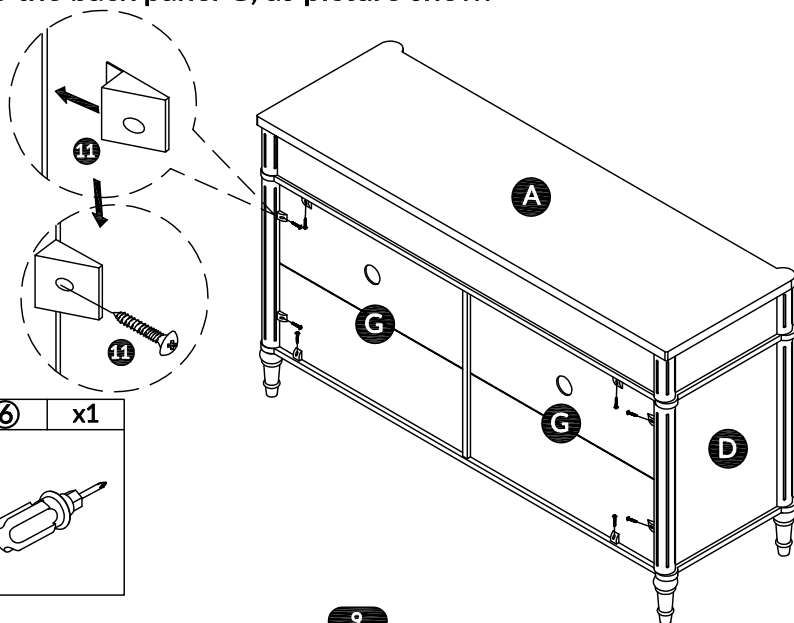
Step 7

Attach panel (F) to it.



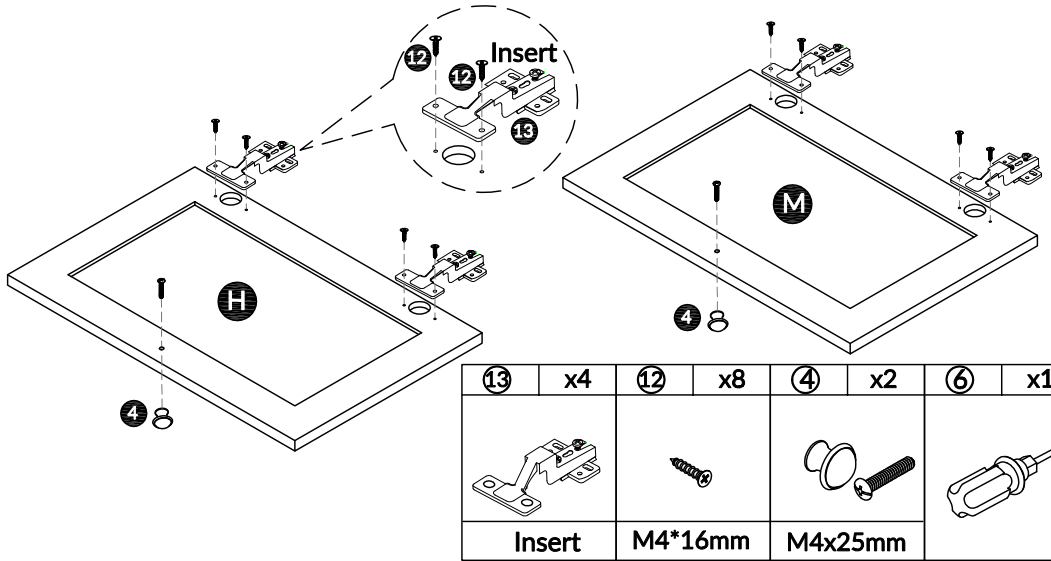
Step 8

Use (11) into the back panel G, as picture show.



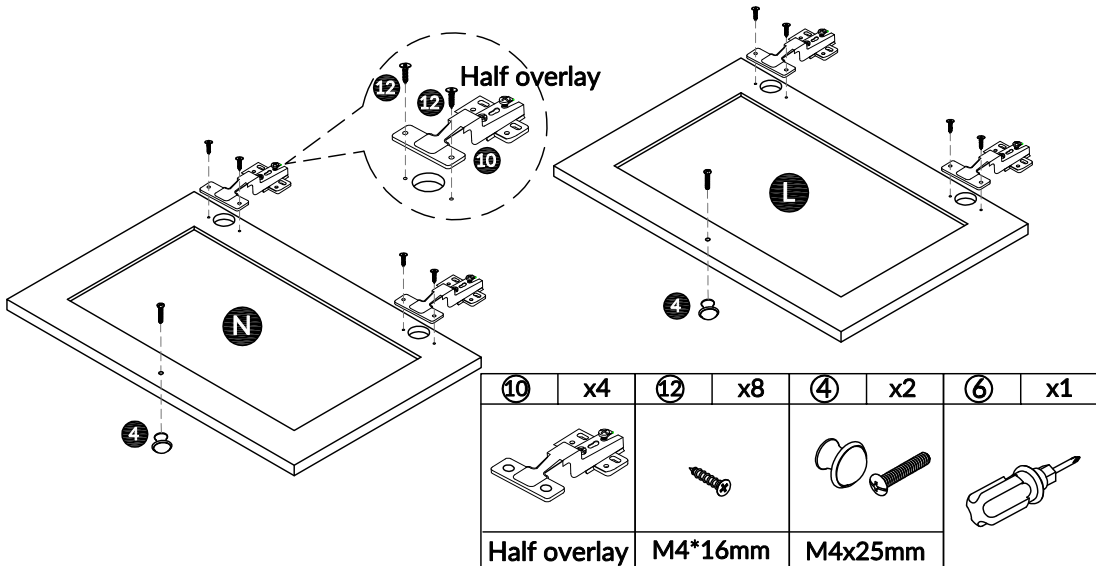
Step 9

Install hinges 13 use screw 12 and handles 4 on the door panel (H/M), as picture show.



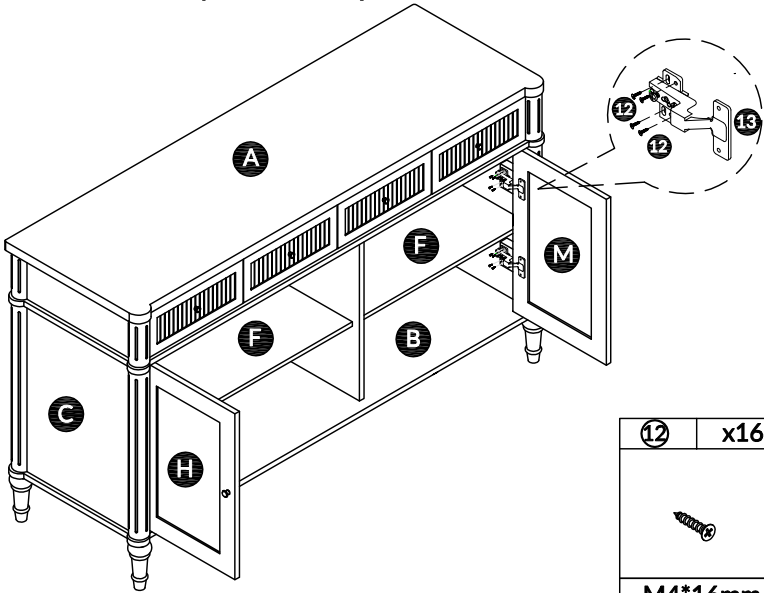
Step 10


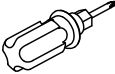
Install hinges 10 use screw 12 and handles 4 on the door panel (N/L), as picture show.



Step 11

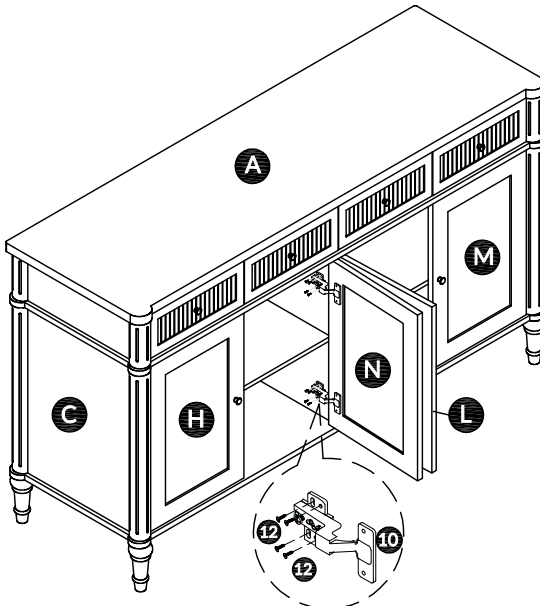
Attach panel H and M to panel C, as picture show.


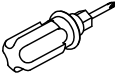


⑫	x16	⑥	x1
			
M4*16mm			

Step 12

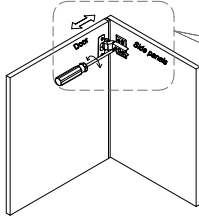
Attach panel N and L to panel E, as picture show.



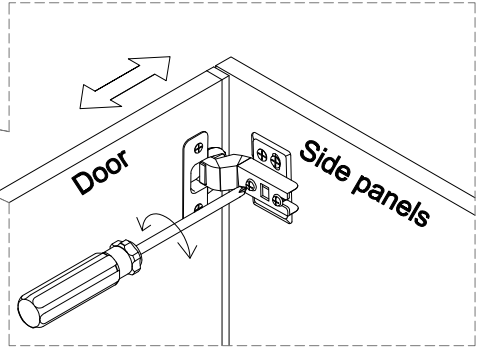
⑫	x16	⑥	x1
			
M4*16mm			

Door Hinge Adjustment Instructions

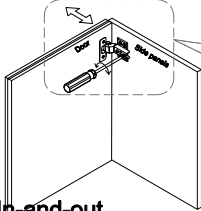
Concealed hinges are three-way adjustable:



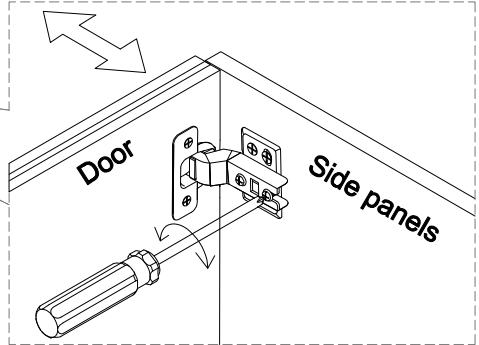
Horizontal
by screw adjustment!



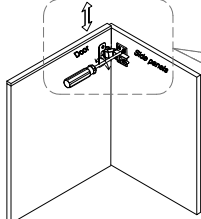
Concealed hinges are three-way adjustable:



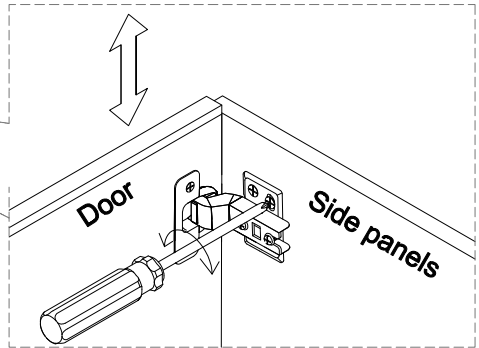
In-and-out
by loosening the hinge arm
mounting screw or via cam
adjustment!



Concealed hinges are three-way adjustable:

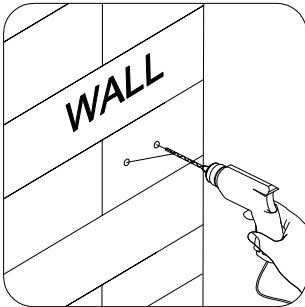
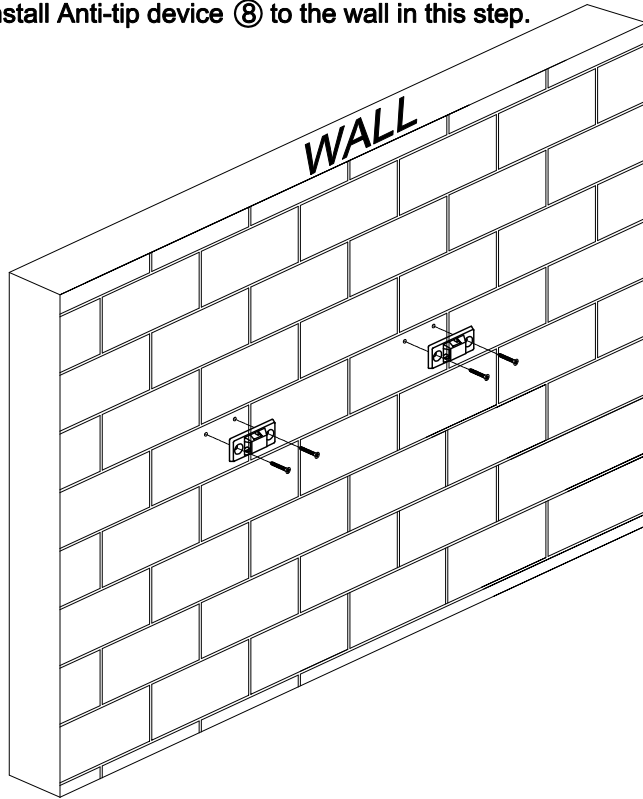


Vertical via slots in
the mounting plate
or via cam
adjustment!

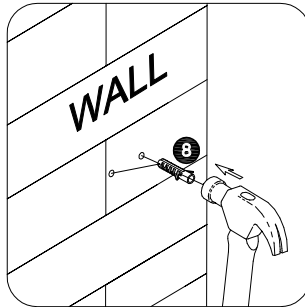


Step 13

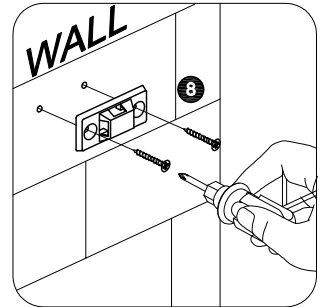
Install Anti-tip device ⑧ to the wall in this step.






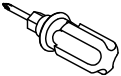
1. Drill a hole in the wall with an electric drill.



2. Tap the plastic wall anchor into the hole with a hammer.



3. Secure the Anti-tip device to the wall with screws

⑧ x2		⑥ x1	
			
	D4x39mm		

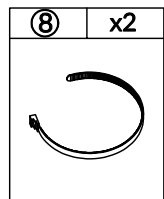
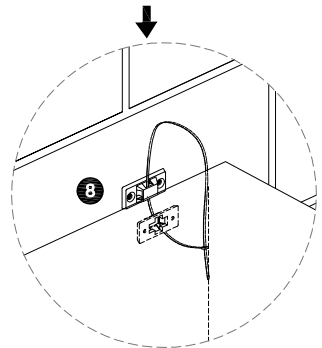
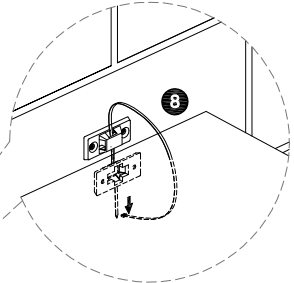
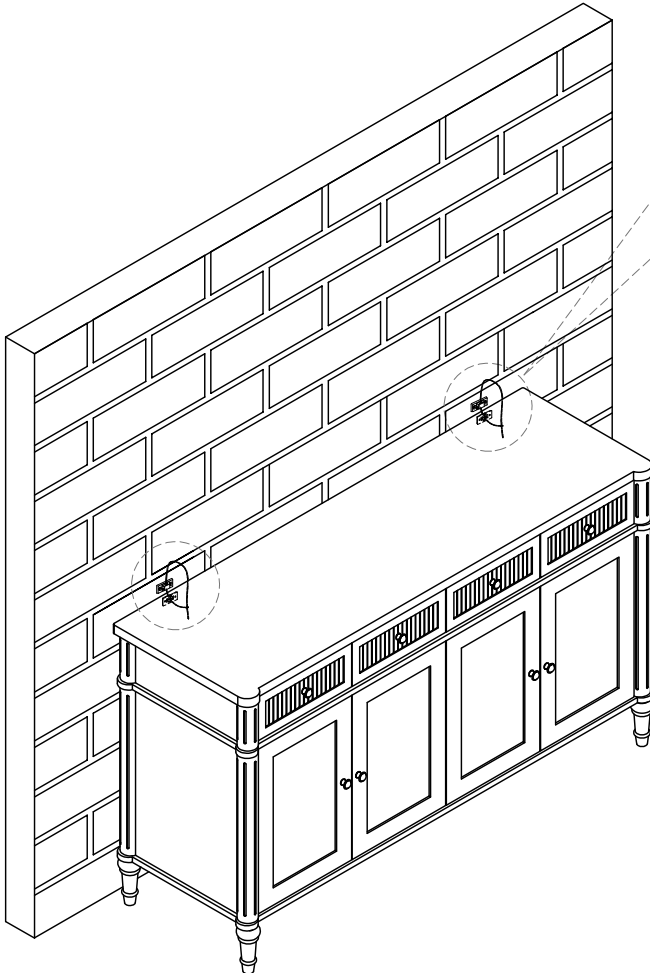
Step 14

WARNING

Children have died from furniture tipover.

To reduce the risk of furniture tipover:

- ALWAYS install Anti-tip device provided.
- For use with televisions weighing 35 lb or less. Use with heavier televisions may result in instability causing tip-over resulting in death or serious injury.
- NEVER allow children to stand, climb or hang on drawers, doors, or shelves.
- NEVER open more than one drawer at a time.
- Place heaviest items in the lowest drawers.



WARRANTY

- We strive to offer quality products, and we also try our best to satisfy every customer who orders from us with products or services as needed.
- Replacement parts can be purchased from our company if available.
- For returns, please check the return policy with the retailer or marketplace where you purchased the item.

**We appreciate your purchase.
Brighten your life with our furniture!**