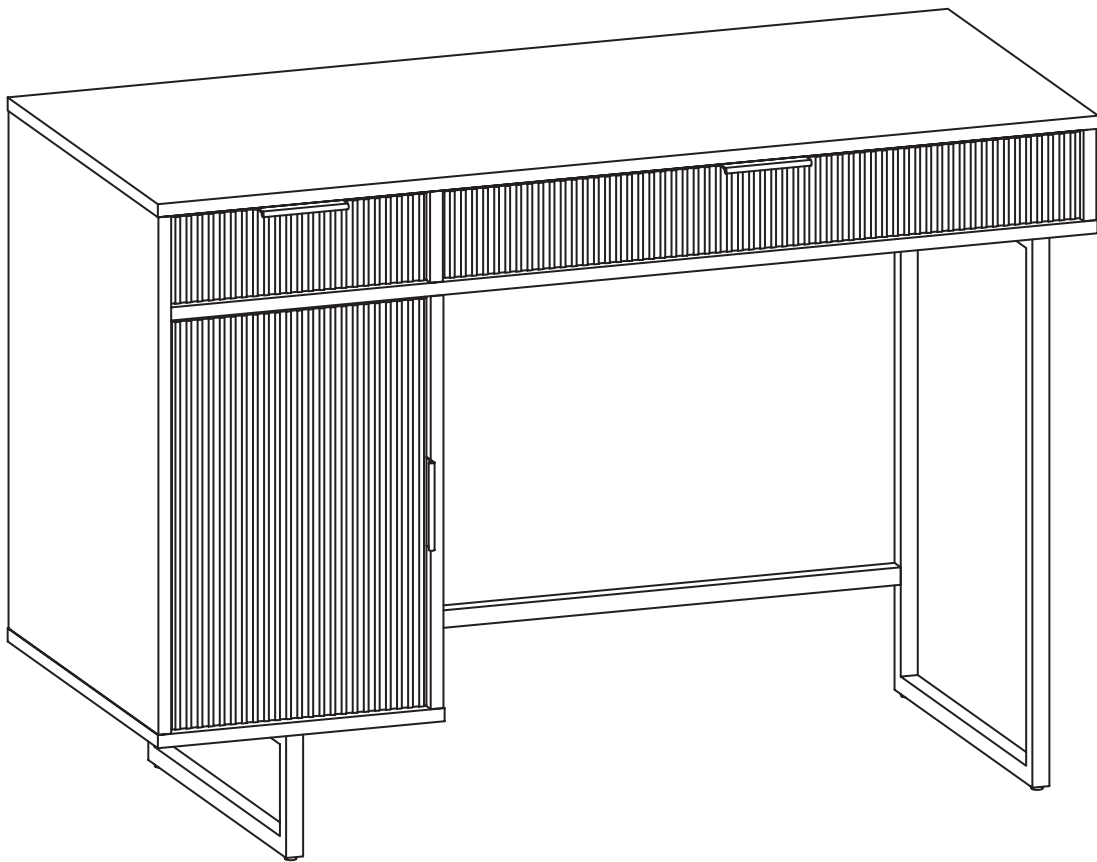


Let's build the

# Jacklyn Desk

SKU 56011



**Scan me!**

Free Lifetime  
Warranty

nathan james

23-0724-VN

# Ok, let's get rolling

This should be easy, just follow our instructions and you will be back to Netflix in no time.

## Estimated time for assembly



90:00

## What you need

- Some of your favourite bubbly or your preferred relaxant
- Use the packaging carton as a working surface to prevent product damage during assembly
- Phillips head screwdriver

## Weight Limitation



155  
lbs

**Top Max. Capacity:** 100lbs.

**Small Drawer Max. Capacity:** 11lbs.

**Large Drawer Max. Capacity:** 11lbs.

**Shelf Max. Capacity:** 33lbs.

Toll-free at 1-866-619-1004

Help@nathanjames.com

Nathanjames.com/help

## What's included - Part one

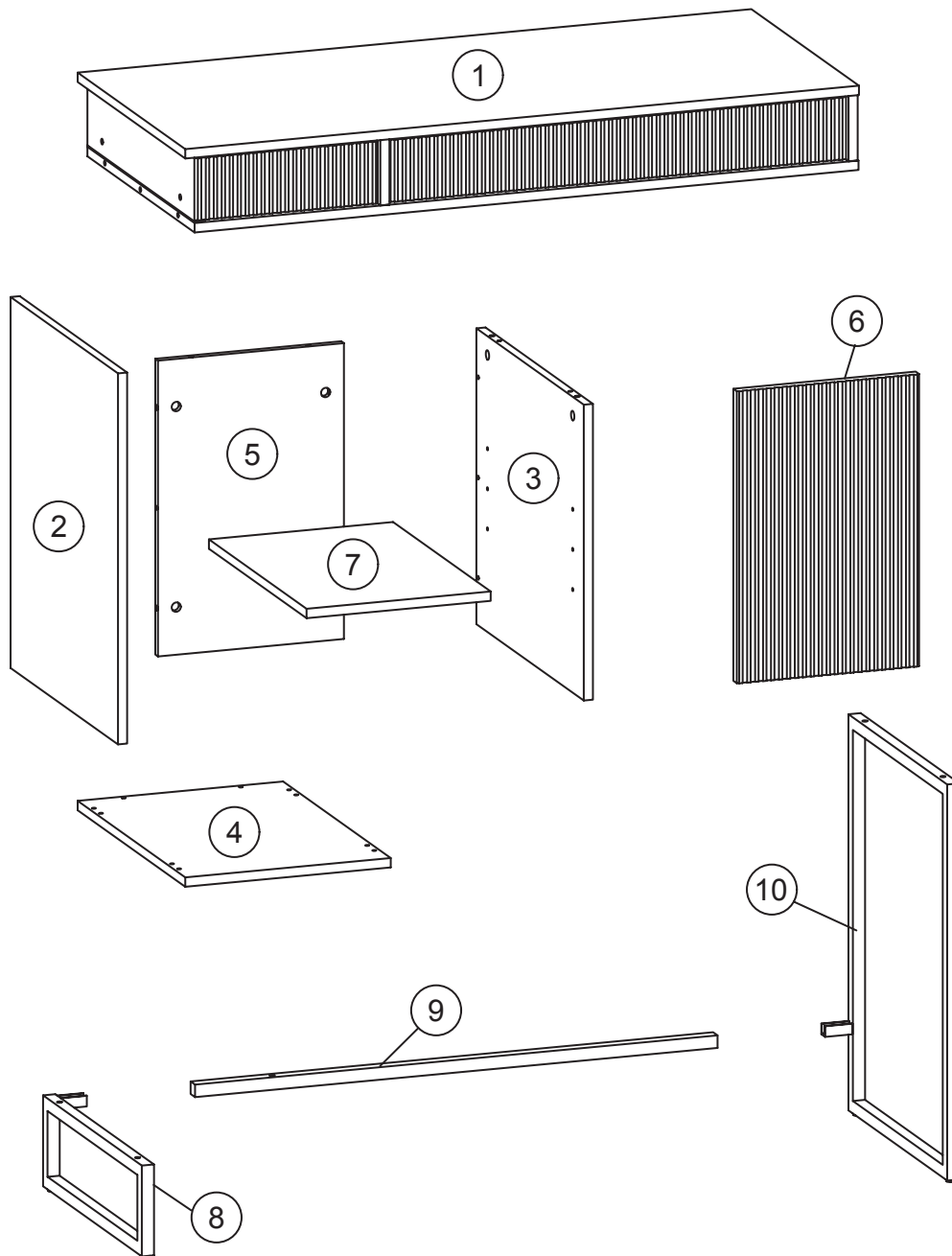
	Description	Qty
1	Top Sub-assembly	1
2	Left Side Panel	1
3	Right Side Panel	1
4	Bottom Panel	1
5	Back Panel	1
6	Door	1
7	Adjustable Shelf	1
8	Left Side Metal Frame	1
9	Back Metal Stretcher	1
10	Right Side Metal Frame	1

**Scan me!**

Free Lifetime  
Warranty



# The goods

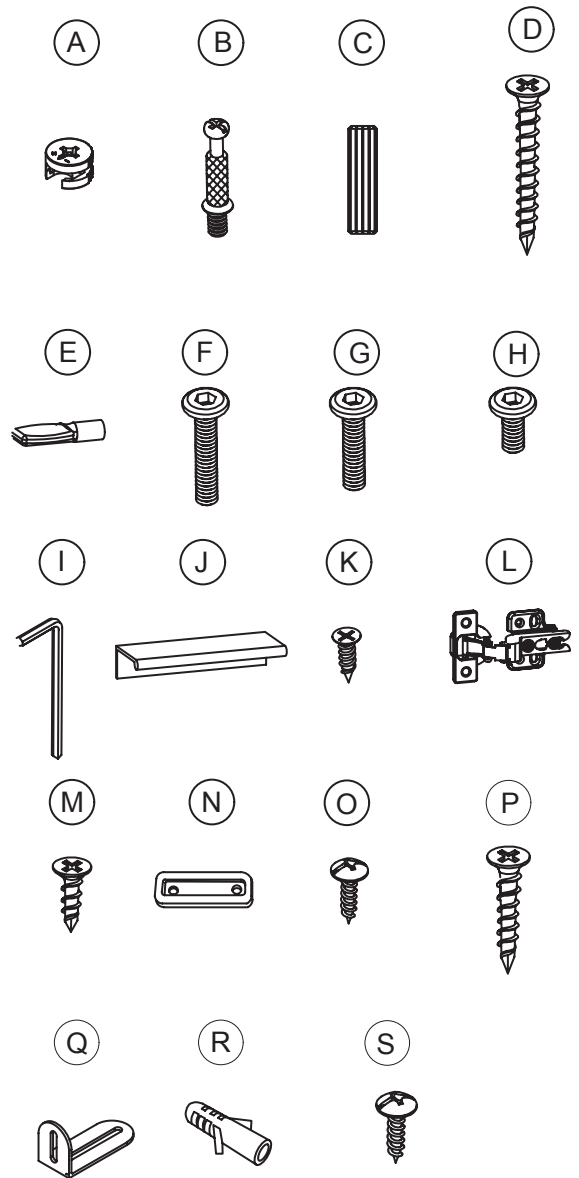


## IMPORTANT

1. Do not tighten bolts / screws completely until all bolts / screws are lined up and inserted into holes.
2. Do not over tighten screws and bolts to avoid stripping.
3. Please use hand tools to assemble this product. Do not use power tools.

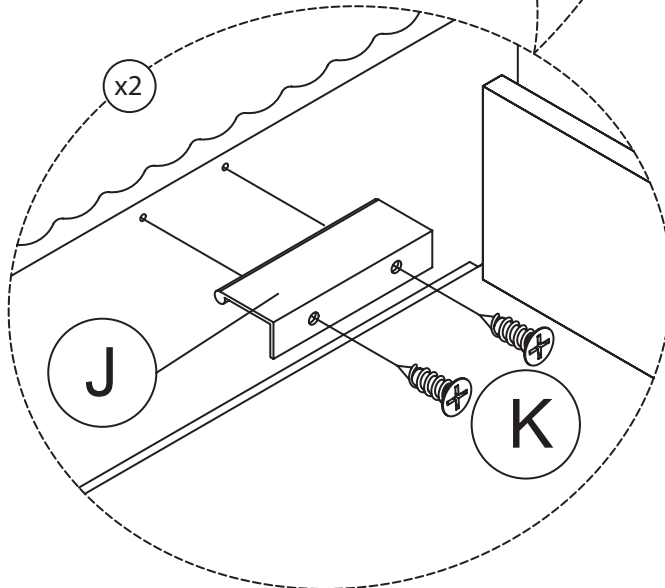
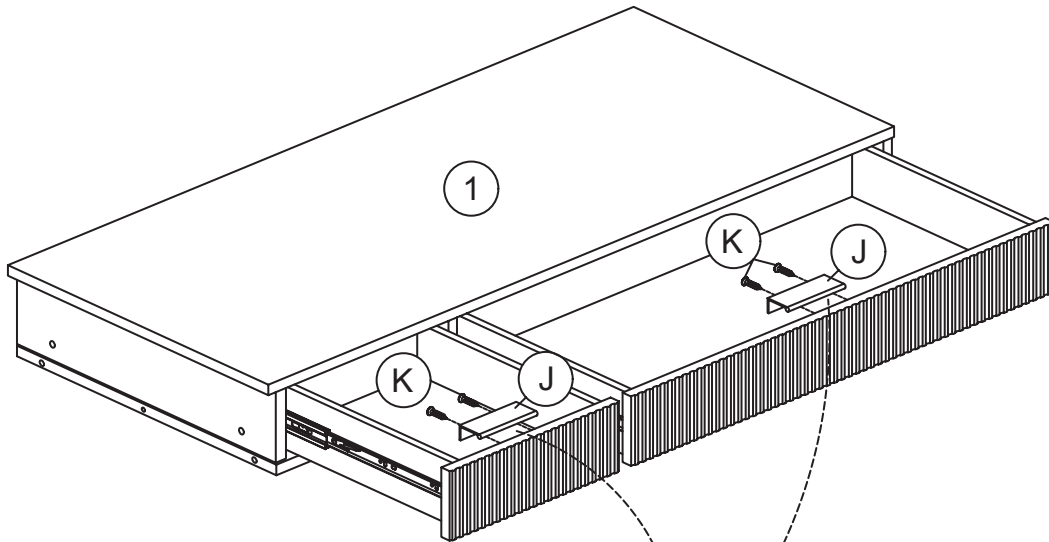
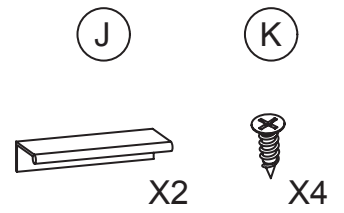
# What's included - Part two

Description	Qty
A Ø15x9mm Cam Lock	8
B Ø6x34mm Cam Bolt	8
C Ø6x30mm Wooden Dowel	11
D M4x50mm Screw	6
E Metal Shelf Pin	4
F Ø1/4x32mm Bolt	5
G Ø1/4x28mm Bolt	2
H Ø1/4x12mm Bolt	4
I Allen Key	1
J Handle	3
K M3x12mm Screw	6
L Hinge	2
M M4x14mm Screw	12
N Door Catcher	1
O M3x15mm Screw	2
P M4x35mm Screw	1
Q Anti-tip Bracket	1
R Wall Anchor	1
S M4x14mm Screw	1



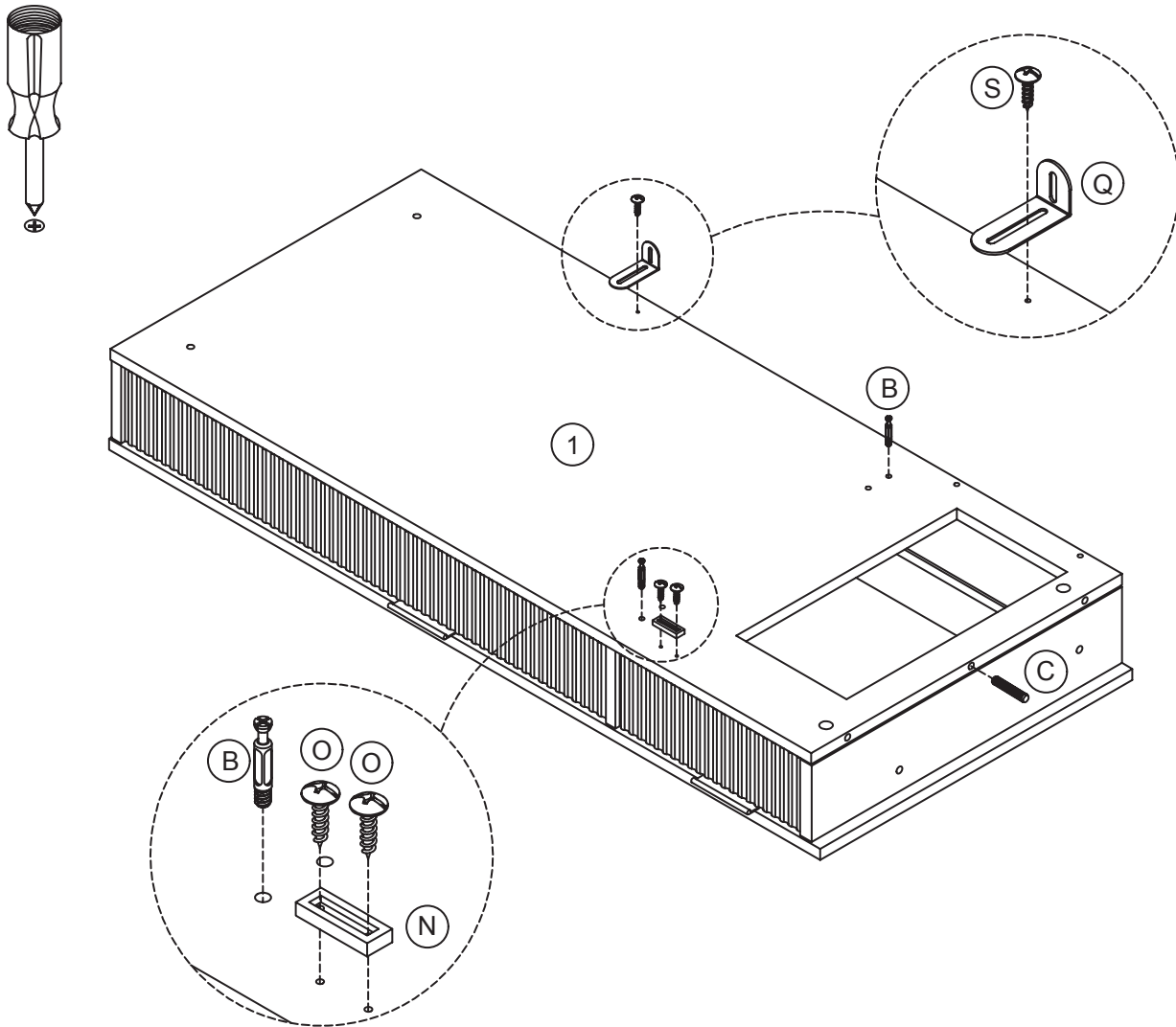
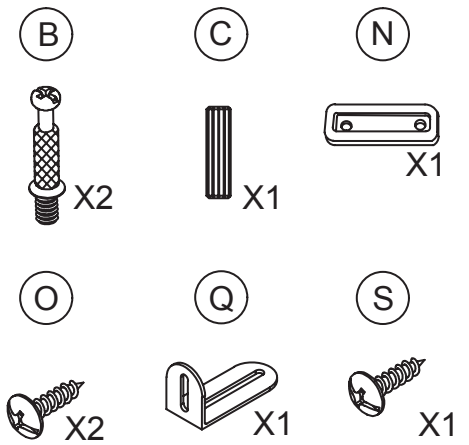
# Step 1

Begin by attaching the handles. Take the two handles (J) and position them inside the drawers, aligning the holes. Use the M3x12mm Screws (K) and a screwdriver to securely attach the handles to Top Sub-assembly (1).



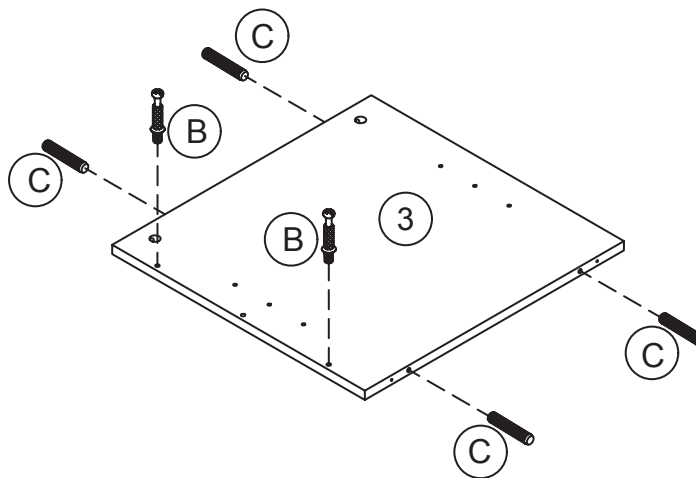
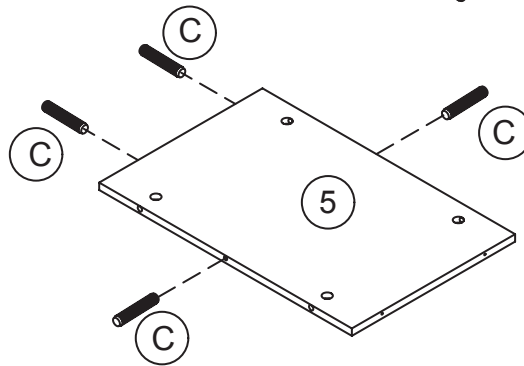
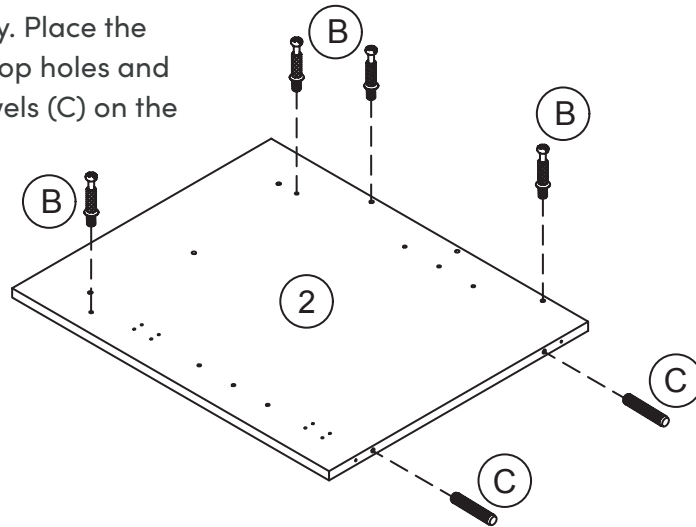
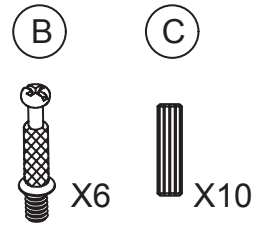
# Step 2

Flip the Top Sub-assembly (1) onto its back, ensuring it is upside down. Attach the Anti-tip Bracket (Q) using the M4x14mm Screw (S) and your screwdriver. After completing this step, take the Door Catcher (N) and secure it in place with the M3x15mm Screws (O) and your screwdriver. Next, referring to the provided image as a guide, insert the  $\varnothing 6 \times 34$ mm Cam Bolt (B) and  $\varnothing 6 \times 30$ mm Wooden Dowel (C) into their designated holes.



# Step 3

Grab components 2, 3, and 5.  
Insert the Cam Bolts (B) and  
Wooden Dowels (C) as shown in the  
accompanying imagery. Place the  
Cam Bolts (B) into the top holes and  
insert the Wooden Dowels (C) on the  
sides.

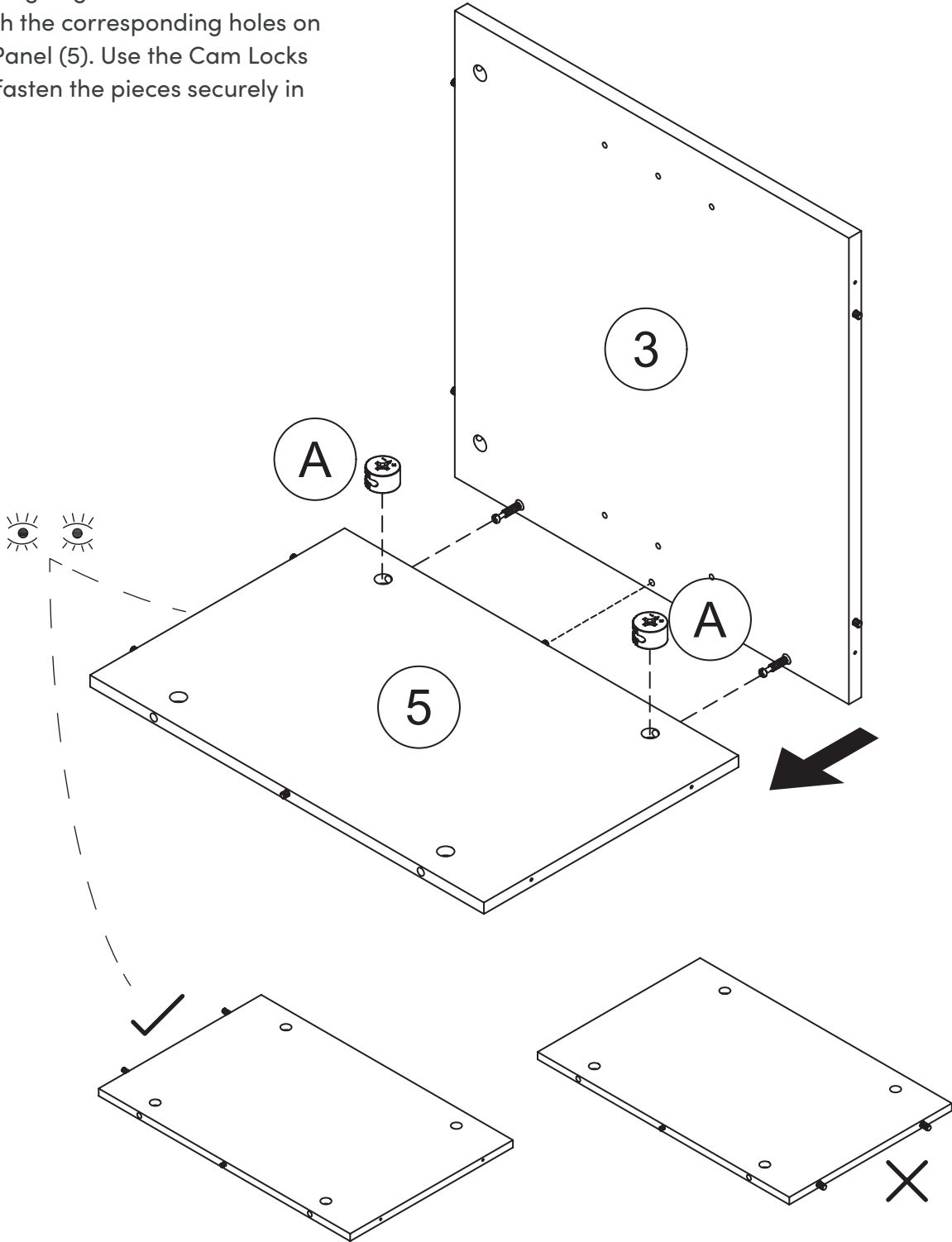


# Step 4

(A)

 X2

Once Step 3 is complete, attach the Right Side Panel (3) to Back Panel (5) by aligning the two Cam Bolts (B) with the corresponding holes on Back Panel (5). Use the Cam Locks (A) to fasten the pieces securely in place.



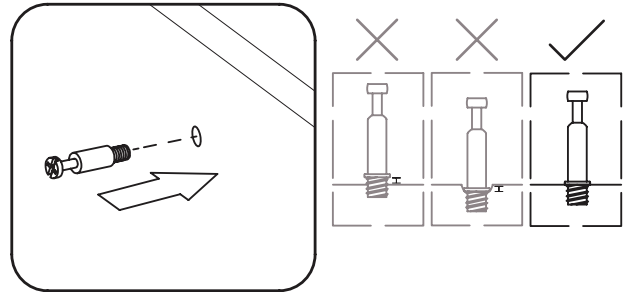
# How to use cam locks

Did you know?

Cam locks are used to join two panels together, usually the edge of one to the flat side of another.

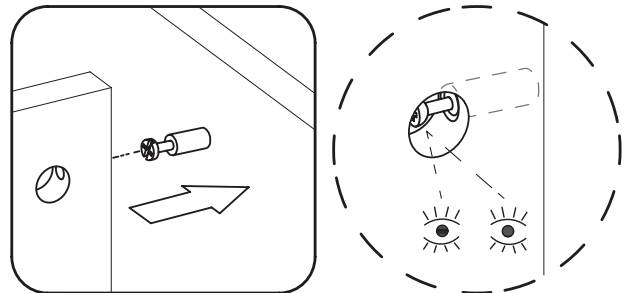
First, your cam bolt (or cam pin) will need to be properly inserted into the flat side of the board.

Important Note: Only tighten the cam bolt until it is secure. Do not over-tighten.



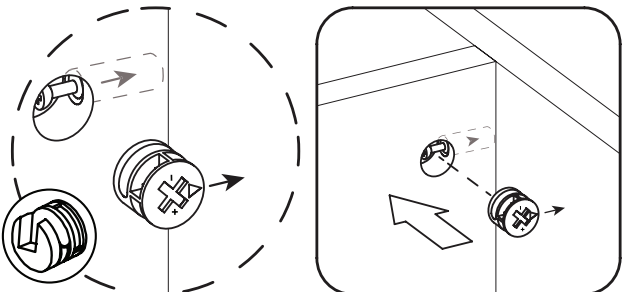
Next, you will fit the proper hole on the edge of the associated joining panel over the cam bolt.

Important Note: When installed properly, the head of the cam bolt will be visible through the larger hole on the side of the joining panel.



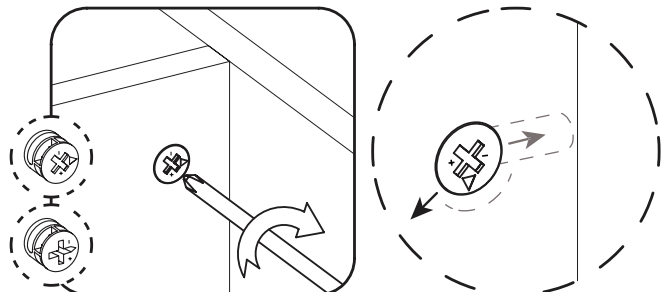
Next, you will notice the cam lock has a “C” shaped back. Commonly, an arrow on the front of the cam lock points in the same direction as the open section on back.

Using these as your cue, insert the cam lock into the large hole so the opening of the “C” fits over the head of the cam bolt.



Using a screwdriver, you will turn the cam lock until it stops, usually between 130° or 180°. You will feel the panels pulling closer until they are secured.

Important Note: Only turn the cam lock until the panels are fully engaged & feel secure. Turning too far may lead to hardware failure.



## Still having issues?

If a cam lock seems to be spinning in place or is not “catching” or pulling the panels together as expected, first remove the cam lock & try again while making sure that everything is properly positioned & oriented.

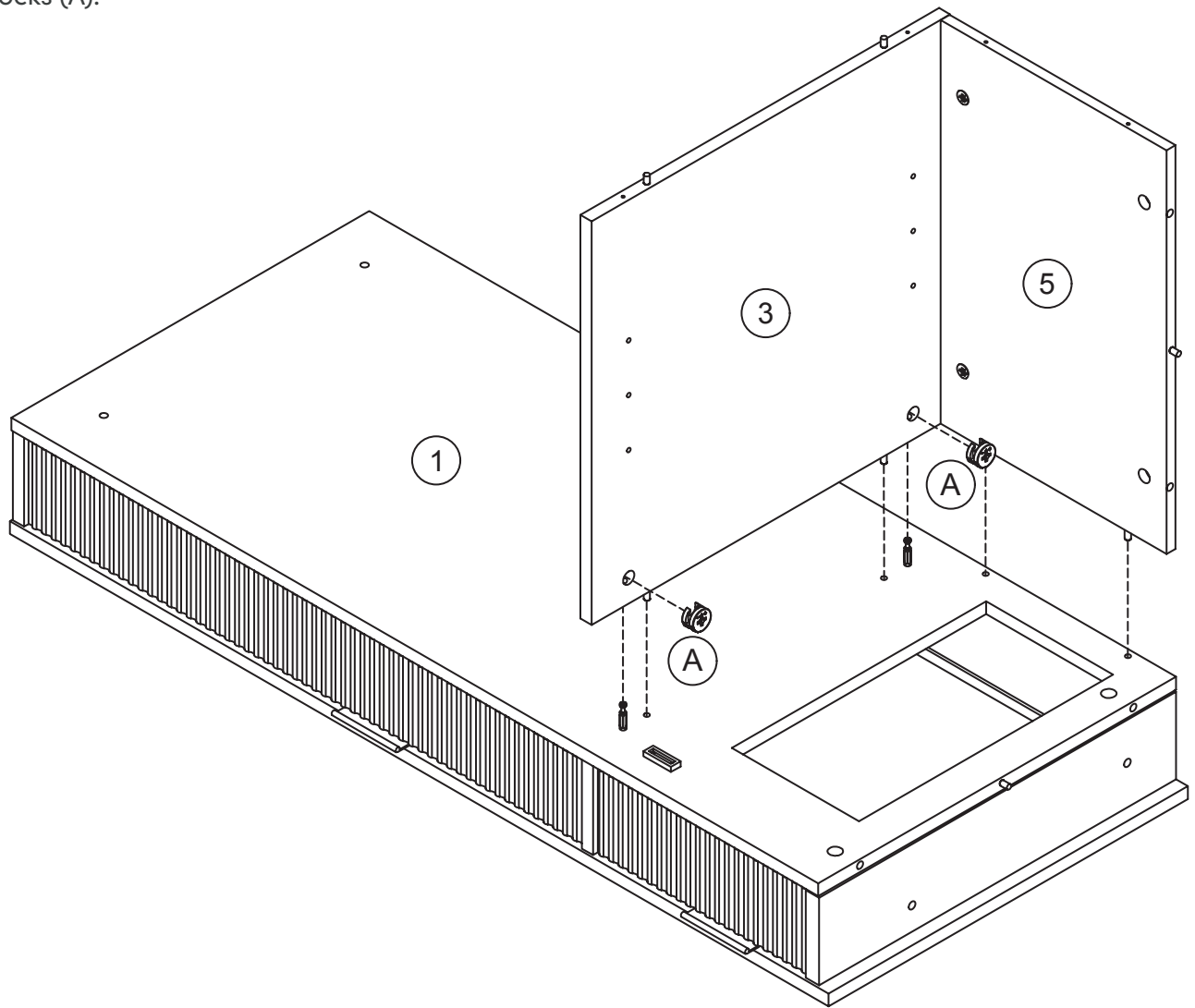
If you are still having issues getting things working as expected, first remove the cam lock then unscrew the cam bolt slightly (less than 1 complete turn) to see if that helps with the alignment of the cam lock & bolt .

# Step 5

Take the component assembled in Step 4 and connect it to the Top Sub-Assembly (1). Ensure that all the parts align correctly, using the diagram below as a reference. Once properly aligned, apply gentle pressure to join the elements together, and then secure them in place using the Cam Locks (A).

(A)

 X2

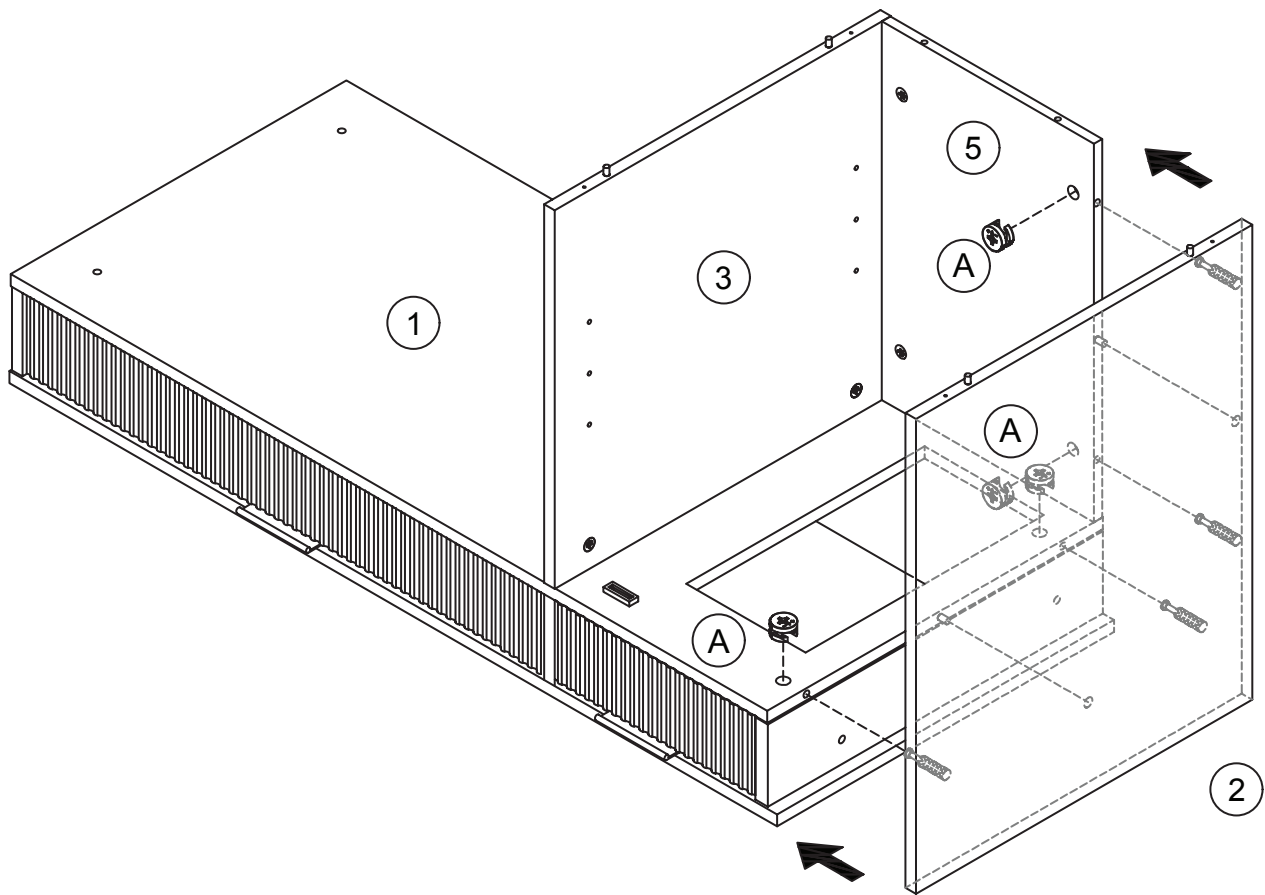


# Step 6

Now, take the Left Side Panel (2) and affix it to the assembly you have been working on. Ensure that everything is properly aligned, and then apply pressure to push it into place. Once the panel is attached, use the Cam Locks (A) to securely fasten everything together.

(A)

 X4



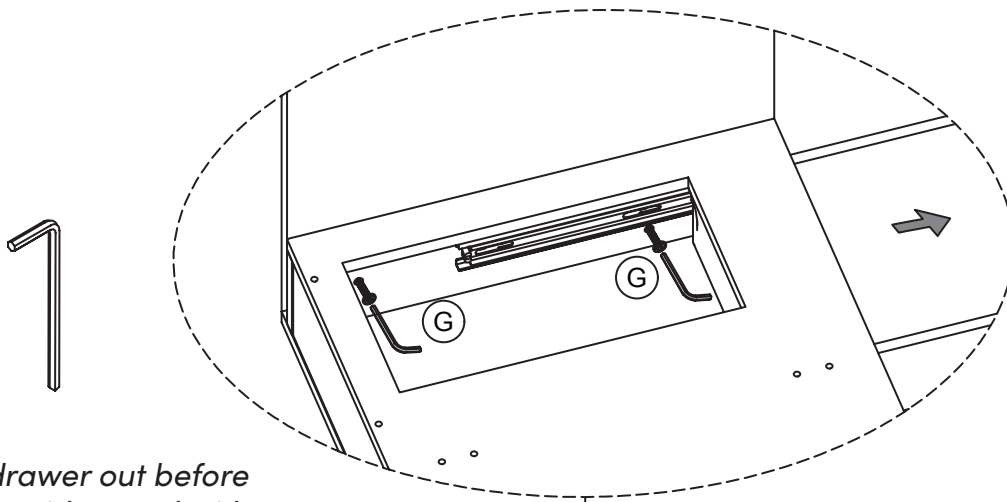
# Step 7

Time to fasten the Left Side Panel (2) into place! Begin by sliding the drawer outward to expose the corresponding holes. Proceed to insert the  $\text{Ø}1/4 \times 28\text{mm}$  Bolts (G) into each hole and tighten them using the Allen Key (I).

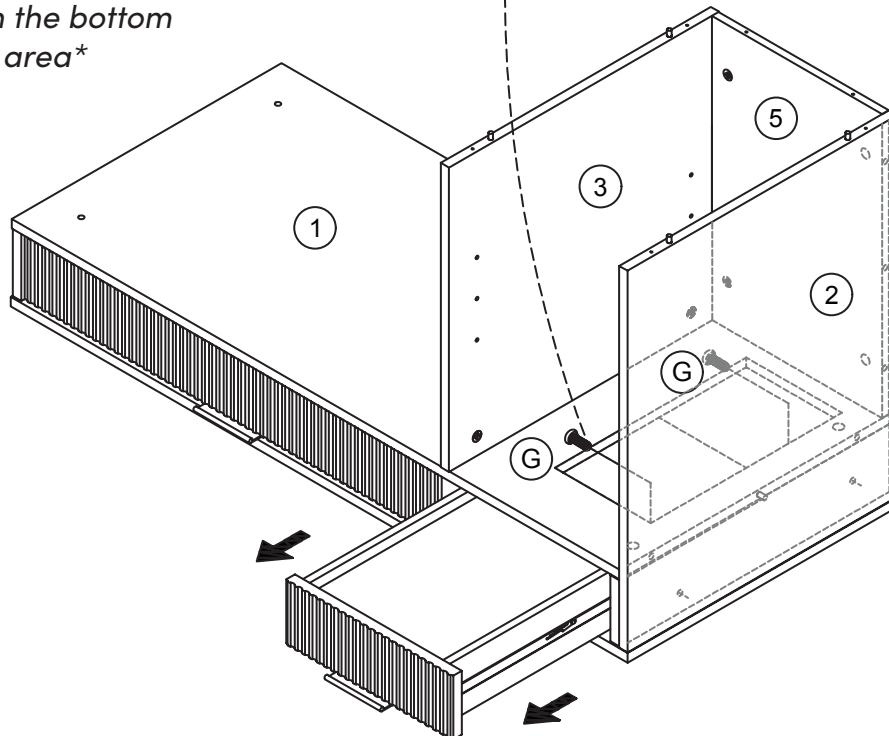
(G)



X2

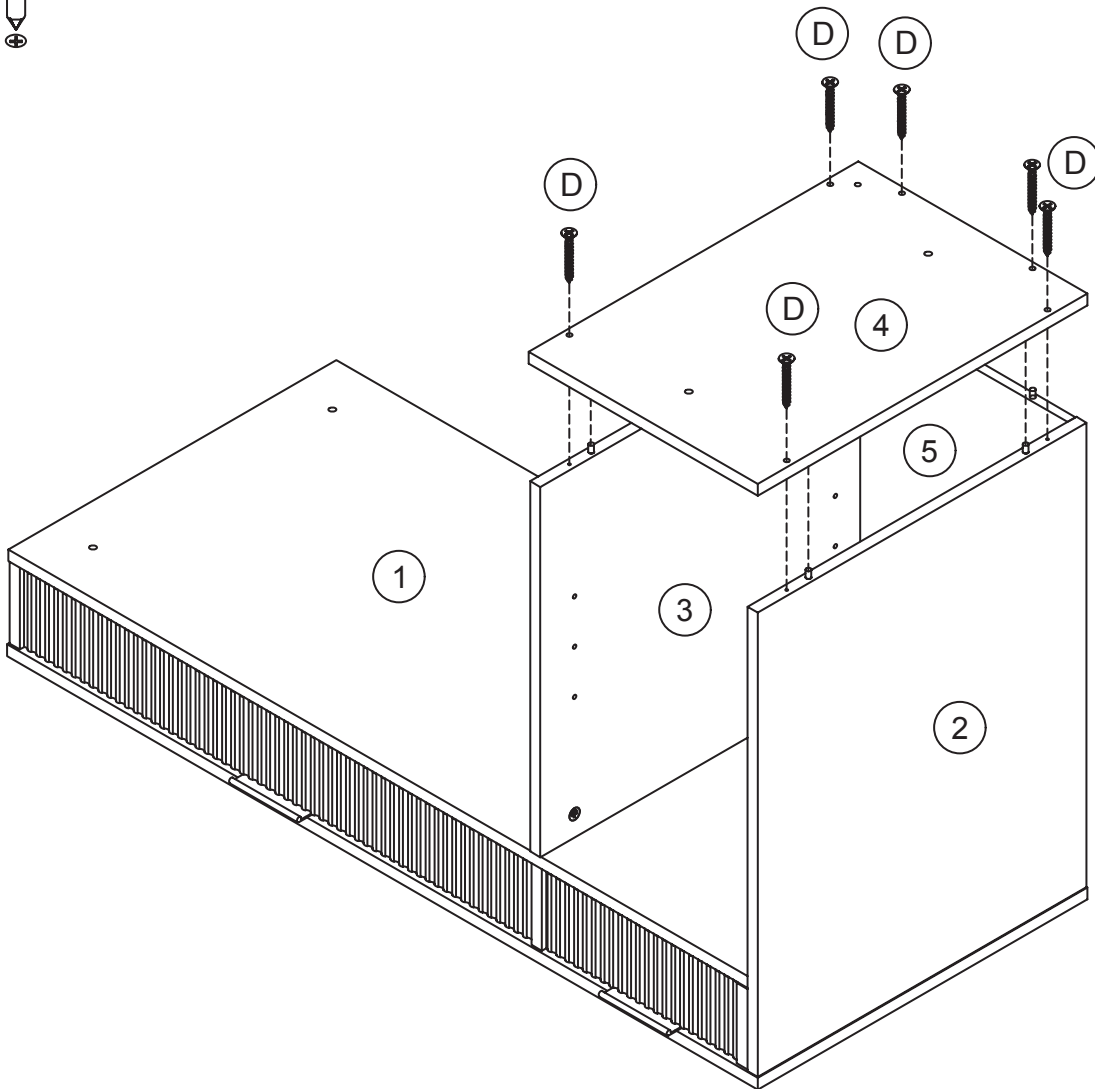


*\*slide drawer out before securing side panel with bolts through the bottom access area\**



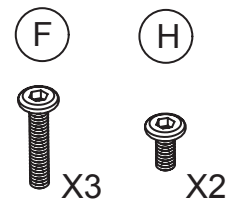
# Step 8

Almost there! It's time to grab the Bottom Panel (4) and attach it to the assembly. Grab your screwdriver and use the M4x50mm Screw (D) to secure the Bottom Panel (4) into place. Let's finish this!

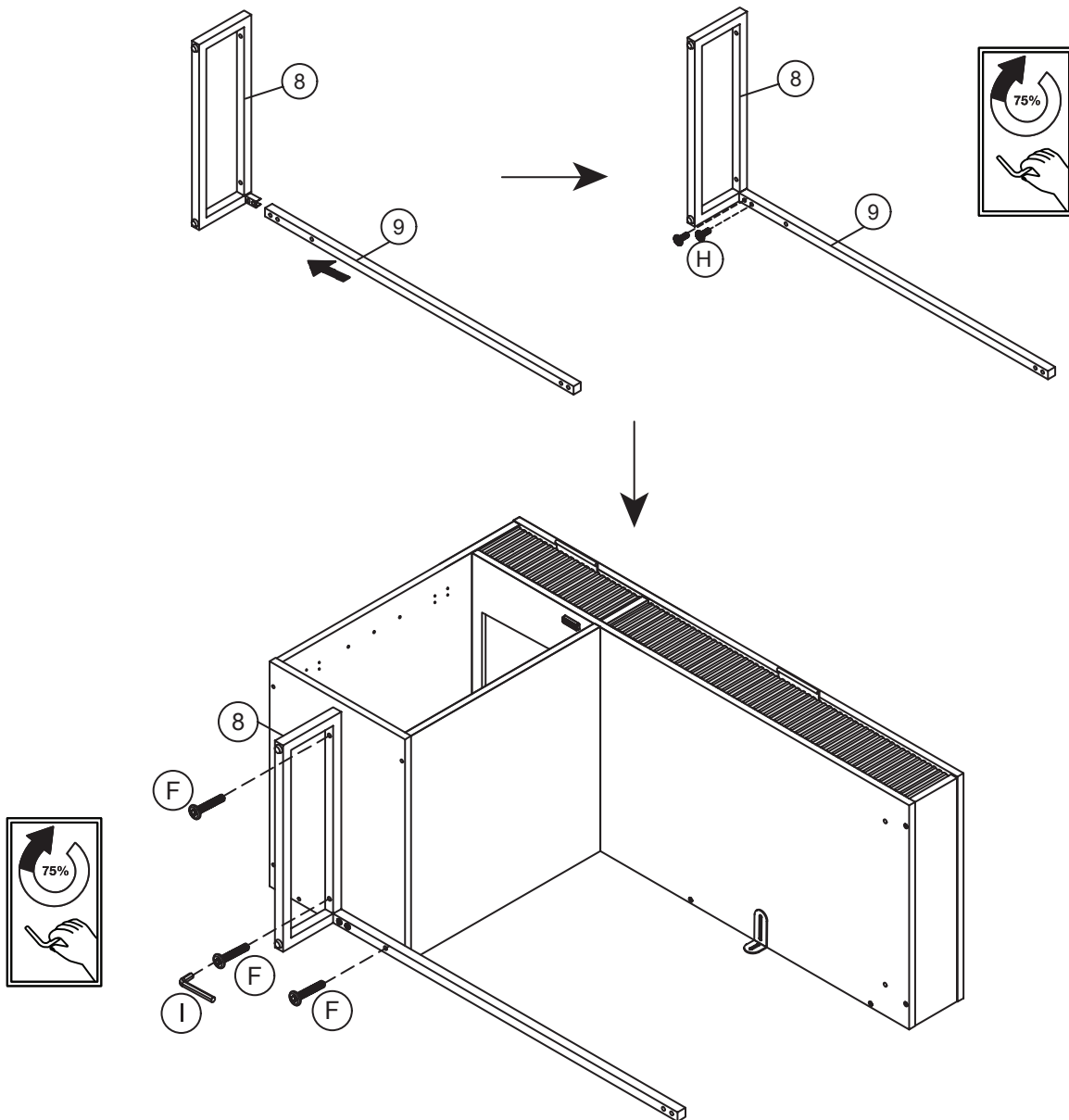


# Step 9

Attach the Left Side Metal Frame (8) and the Back Metal Stretcher (9) together, then secure them in place using the 1/4x12mm Bolt (H) and Allen Key (I). Tighten to 75%.

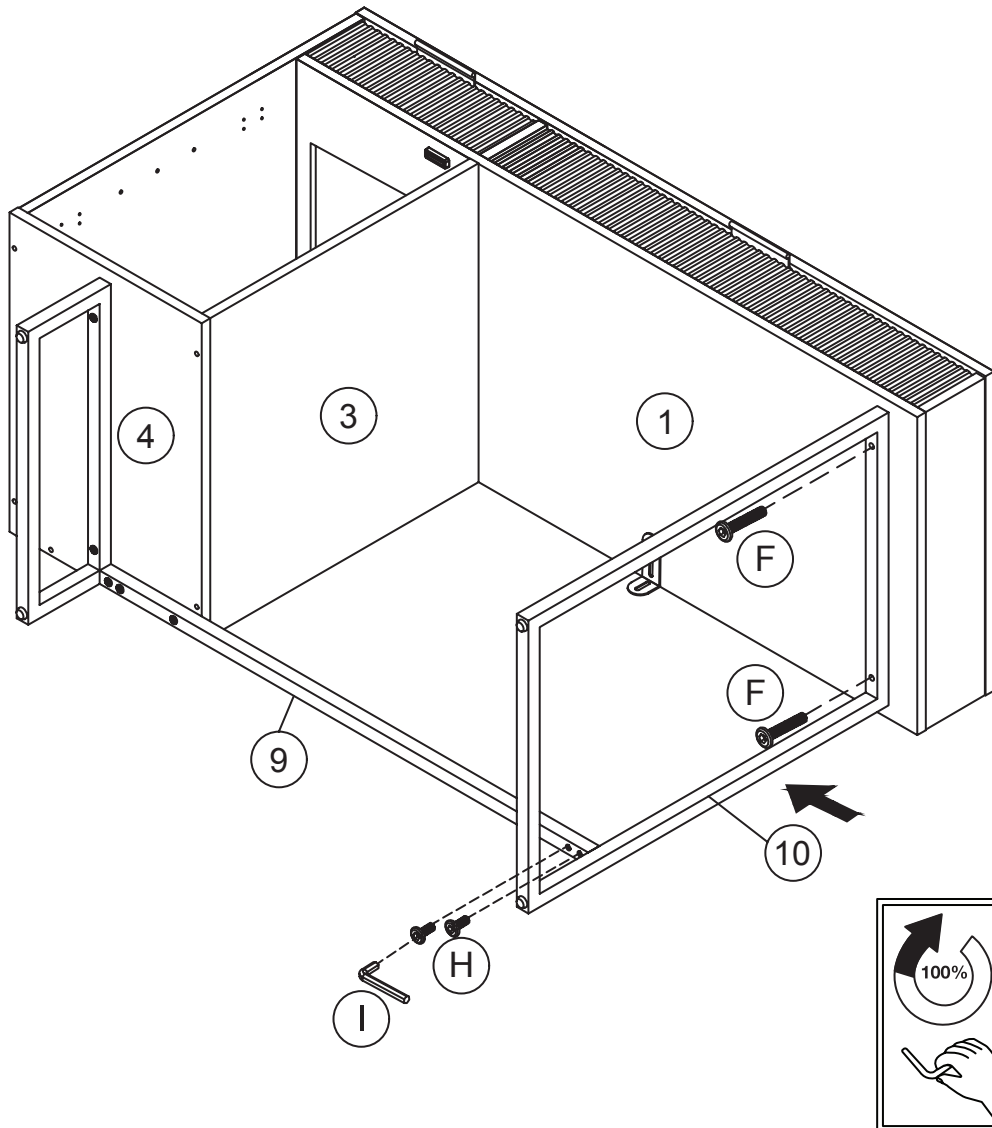
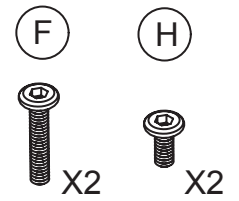


Next, attach the assembled parts to the bottom of the desk. Use the 1/4x32mm Bolts (F) and the Allen Key (I) to securely fasten these parts. Tighten to 75%.



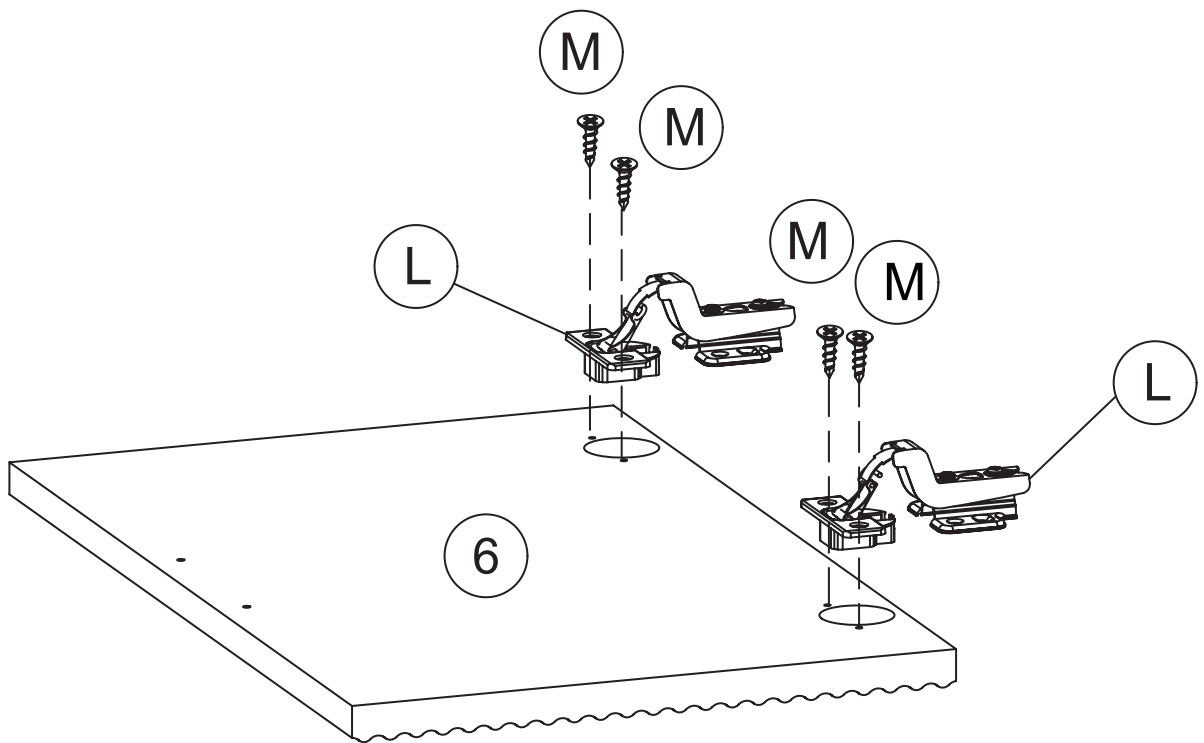
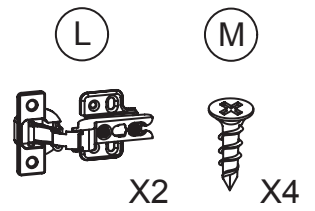
# Step 10

Take the Right Side Metal Frame (10) and attach it to the Top Sub-assembly (1) and the Back Metal Stretcher (9). Use the 1/4x12mm Bolts (H) and the Allen Key (I) to firmly secure it in place. Tighten everything to 100%, even those from previous steps.



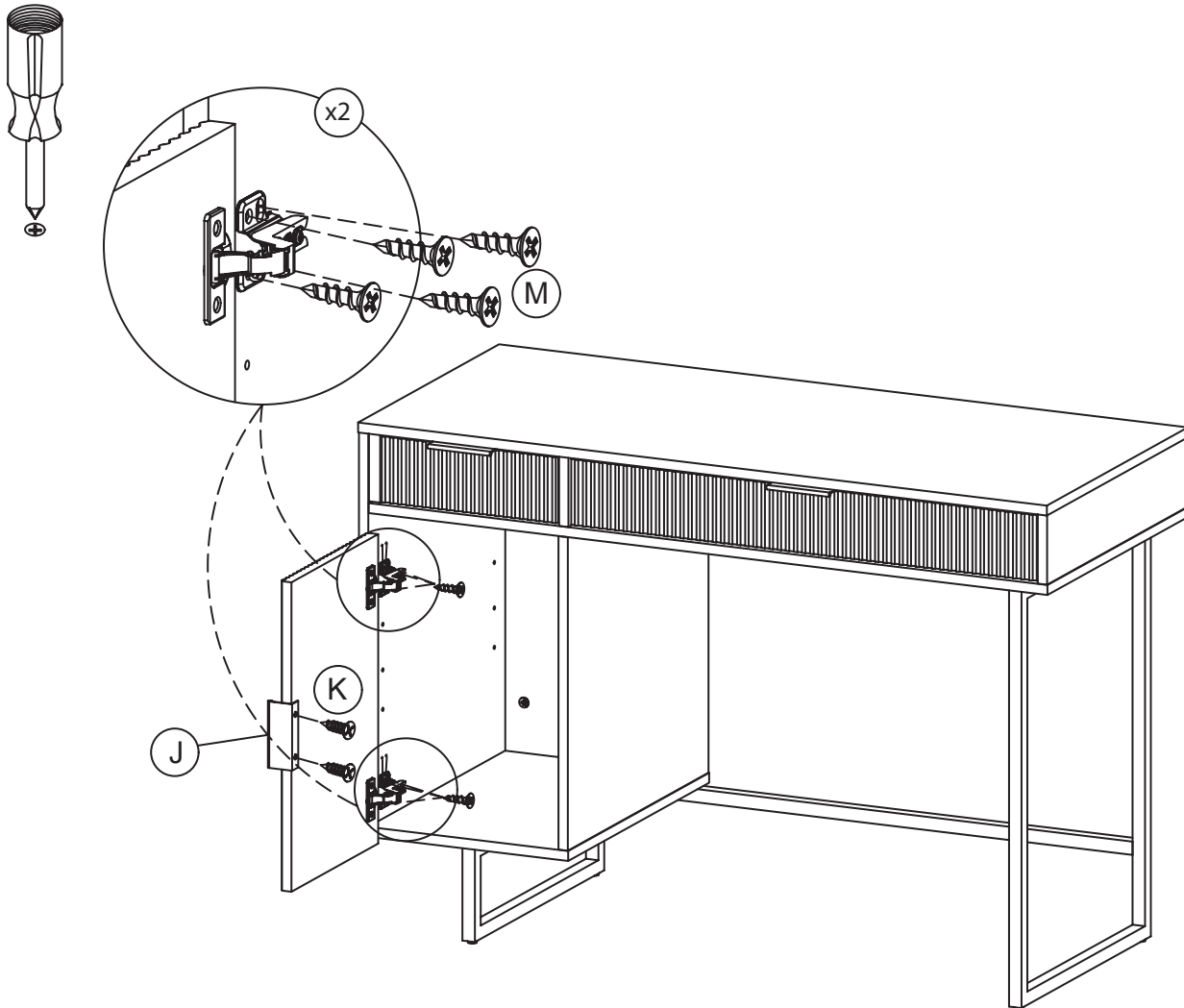
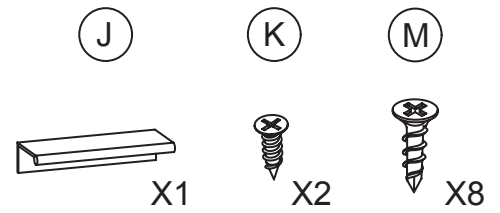
# Step 11

Locate the Door (6) and attach two Hinge (L) pieces. Secure them in place using the M4x14mm Screws (M) and a screwdriver.



# Step 12

Install the door to the desk using the M4x14mm Screws (M). Then, attach the door handle - Handle (J) - using the M3x12mm Screws (K) and a screwdriver.

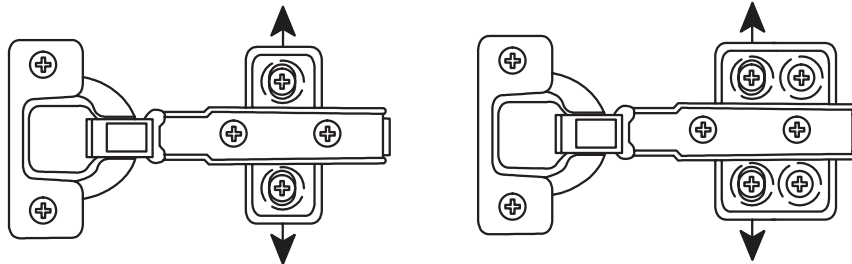


Helpful Tip: Place your desk where it will reside and ensure everything is level prior to installing the doors. This will help reduce adjustments to the hinges. (see following pages for adjustment tips)

# Is your cabinet door looking crooked or unevenly spaced?

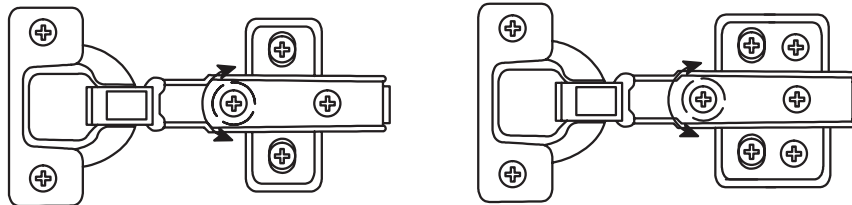
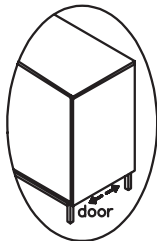
Then you've come to the right place. Follow the illustrations below to get your cabinet door aligned and ready for action.

**If your door is too low or too high...**



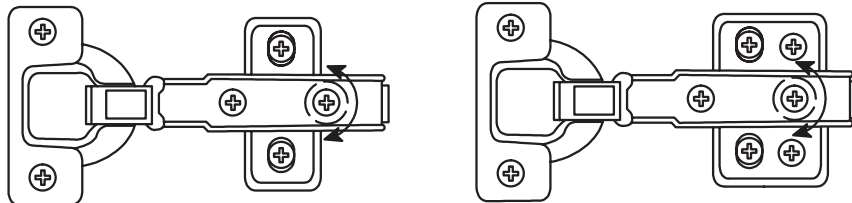
Loosen the height screws, then move the door up or down to make it level.

**If the space between your doors is off...**



Loosen the side-to-side screws, then screw counter-clockwise to make the gap wider or clockwise to close any gaps.

**If you need to adjust the depth of the doors...**



Adjust the in-and-out screws until the door is aligned with the side of the cabinet.

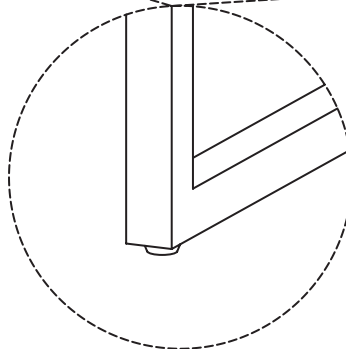
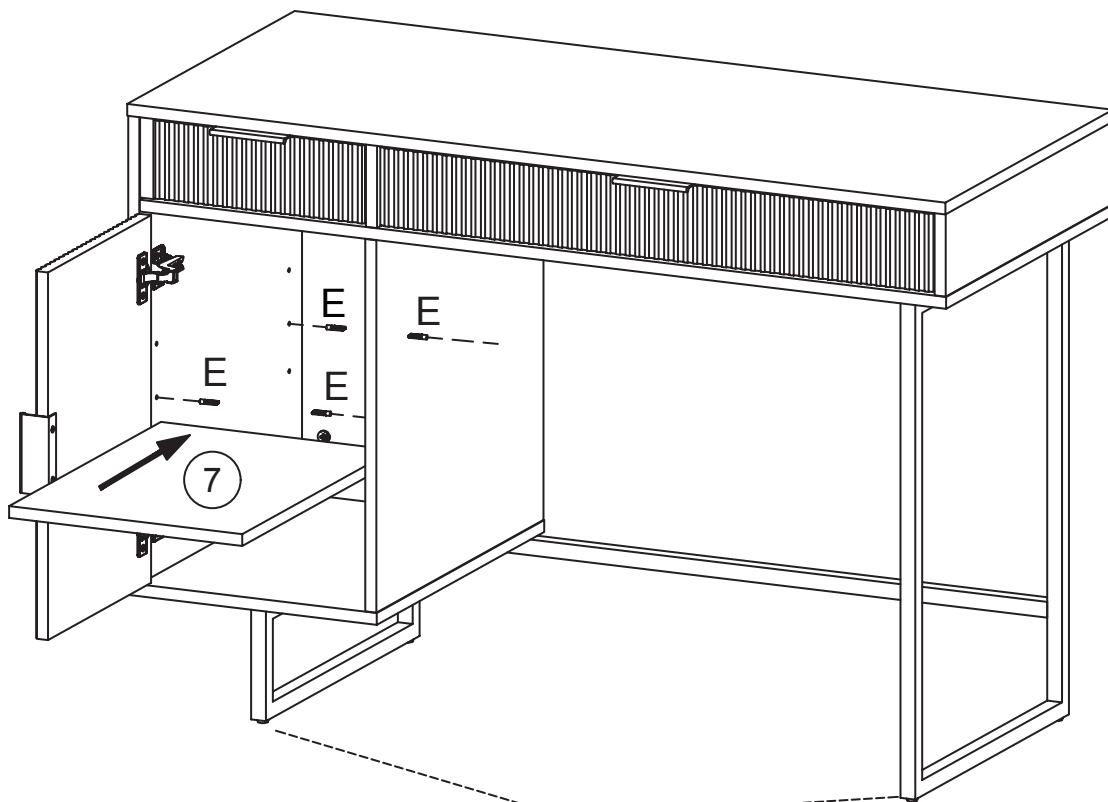
# Step 13

Finishing touches! Place the Metal Shelf Pins (E) in four spots at the desired height. Slide Adjustable Shelf (7) into place. Great job! Your new desk is now complete.

(E)



X4

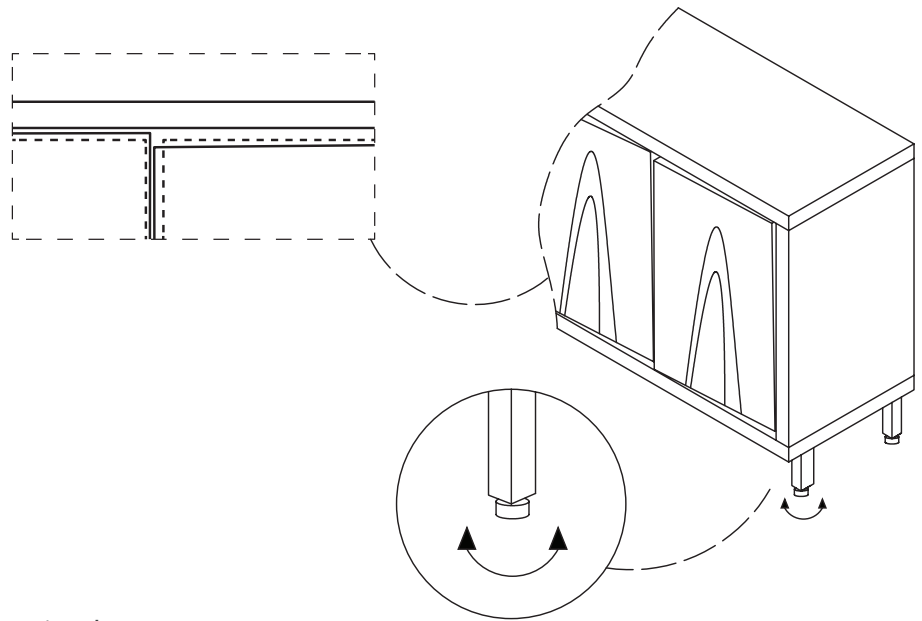


Wobbly or unlevel?  
Adjust feet until stable!

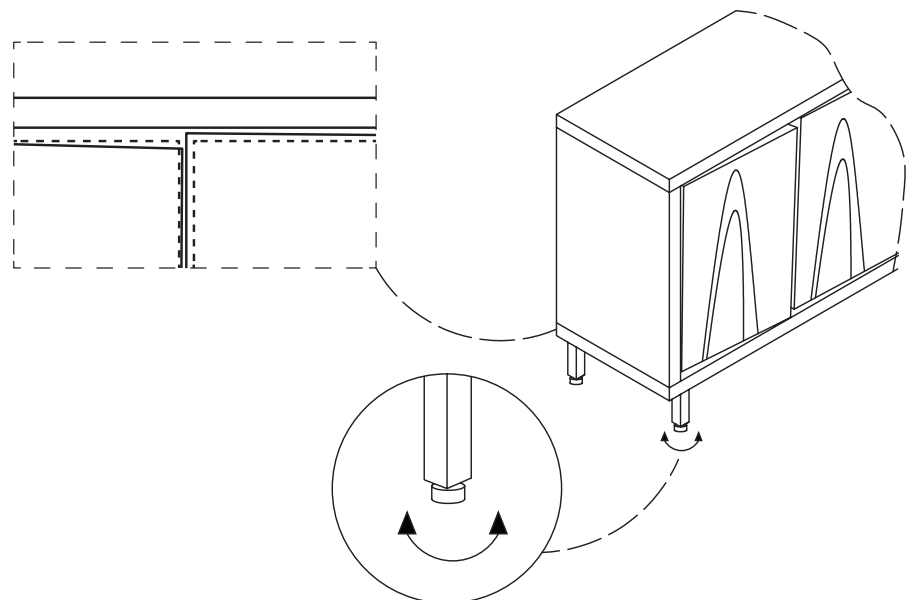
# Is your cabinet door looking crooked or unevenly spaced? (Cont.)

If you're still having trouble lining everything up, your next step should be to try to adjust the feet slightly to square up the cabinet & doors. Follow the illustrations below:

If the right door appears to be hanging low, you can adjust the adjustable leveler on the front right until the door is better aligned.

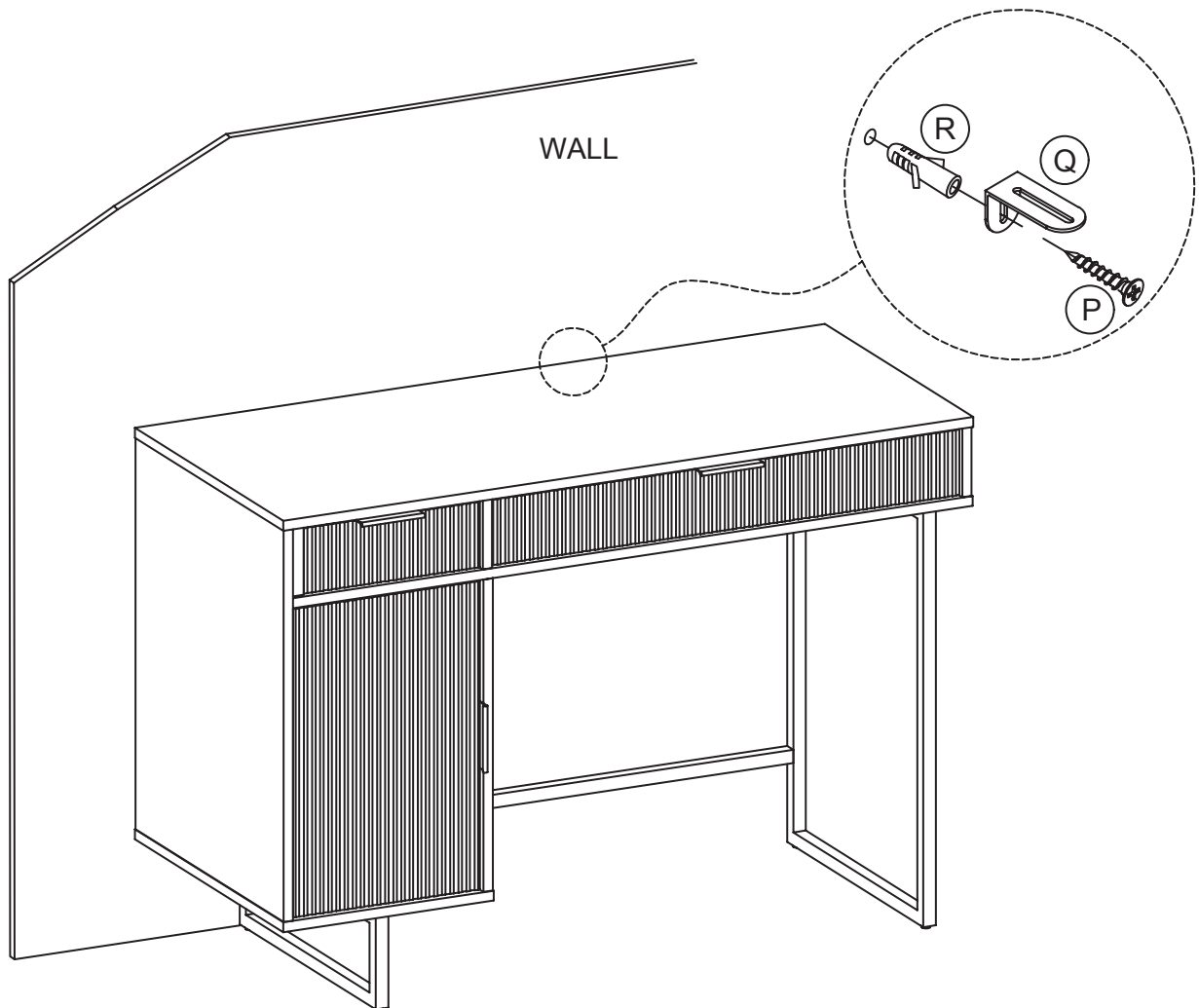
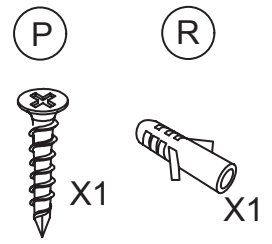


If the left door appears to be hanging low, you can adjust the adjustable leveler on the front left until the door is better aligned.



# Step 14

Safety first! Use the wall anchor to secure your desk to the wall. You'll need a drill and 1/4" Drill Bit for this step. Drill a 1/4" hole into the wall for the Plastic Anchor (R). Insert the Plastic Anchor (R) in the hole, then secure the Adjustable Anchor Bracket (Q) to the wall using a M4\*35mm Screw (P).



# No heartburn, when we handle the return

Give us a call **1-866-619-1004** or shoot us a message at **help@nathanjames.com** we will issue you a free replacement with **zero hassle**.

## Our way



Give us a call

---



Replacement

---



You

## Their way



Re-package item

---



Schedule pick up

---



Track package

---



Replacement

---



You

We really don't want you to go through the hassle of re-packaging your item and sending it back, because let's be honest...nobody has time for that.

# Safety first, fun later

We want your product to last as long as possible, so we recommend that you tighten the screws 2 weeks after assembly and for added safety check the tightness of all screws every 2 months.

For proper care and treatment, please check our website at [NathanJames.com/products](http://NathanJames.com/products)

## Safe use of this product starts with you.

Use this product responsibly with the primary concern for your safety. Follow assembly instructions carefully and inspect product upon receipt and each use.

Nathan James and its parent companies cannot be held legally responsible for any injuries or death resulted from failure to follow instructions or improper use of this product.

## Do not modify the structure of this product in any way.

Our products have been tested to meet specific safety measures as they were originally intended to be sold. Any modifications will present the risk of creating significant safety issues which NJ will not be responsible for.

## Proper use

- DO NOT** use for commercial purposes
- DO NOT** frolic on desk
- DO NOT** use desk as foot stool
- DO NOT** leave spilled liquid on desk
- DO NOT** use desk if damaged
- DO NOT** make temporary repairs
- DO NOT** use outdoors

# We are only in business if you're happy

For starters, thanks for being you.

☎ Toll-free at 1-866-619-1004

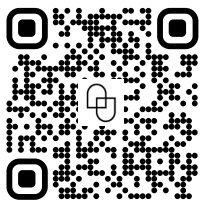
✉ Help@nathanjames.com

🌐 NathanJames.com/help

We do our best to ensure your furniture arrives without any problems, but occasionally mistakes happen—as humans we are imperfect beings. In the event that a part is damaged or missing, we will be more than happy to provide you with replacement part(s) for free.

## Warranty

This product comes with a lifetime warranty from the date of purchase. Please use your phone to scan the QR code to register your product or visit <https://goo.gl/i9dk3q>



### Did we do alright? Please spread the love!

If you are happy with your product, tell your friends and family about us or even better leave us a review online. Spreading the word gives us the opportunity to make more people happy and keep our prices low for your next purchase.

*Brooklyn Burden*

Founder, Nathan James