

ASSEMBLY INSTRUCTIONS

COVENTRY HALL COLLECTION


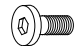
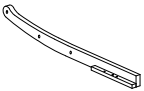
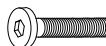


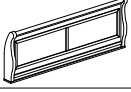




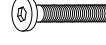





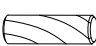



MODEL : B1828-115 COVENTRY HALL 6/6 EK HB,FB AND SLATS
: B1828-335 COVENTRY HALL 6/6-5/0 EK/Q SIDE RAILS

Thank you for purchasing this quality product. Be sure to check all packing materials carefully for small parts, which may have come loose inside the carton during shipment. Identify and count all items and compare with the parts list and/or hardware list shown below.

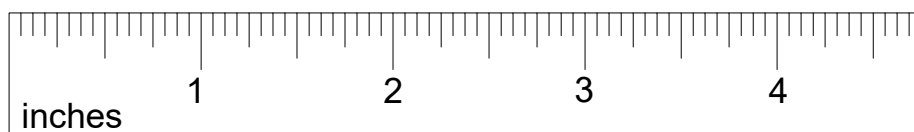
Please read all instructions carefully. See the hardware and furniture part listing for guidance. Be sure you have all parts listed before beginning assembly. Place all wooden parts on a clean, flat surface to protect the finish from scratches. Follow the diagram to assemble.

CAUTION

1. Do not fully tighten the nuts or bolts until the table is fully assembled.
2. Please tighten by hand, not by a drill. Overtightening will damage threads. Do not overtighten.
3. Keep all hardware out of the reach of children.

PARTS LIST				HARDWARE LIST			
ITEM	DESCRIPTION	SKETCH	QTY	ITEM	DESCRIPTION	SKETCH	QTY
A	HEADBOARD		1 PC	1	BOLT M8 x 5/8"		8 PCS
B	HEADBOARD LEFT SIDE FACING (LSF) LEG		1 PC	2	BOLT M8 x 1 9/16"		8 PCS
C	HEADBOARD RIGHT SIDE FACING (RSF) LEG		1 PC	3	SPRING WASHER M8 x 9/16"		8 PCS
D	FOOTBOARD		1 PC	4	FLAT WASHER M8 x 7/8"		8 PCS
E	FOOTBOARD LEFT SIDE FACING (LSF) LEG		1 PC	5	ALLEN KEY M5 x 2 5/8"		1 PC
F	FOOTBOARD RIGHT SIDE FACING (RSF) LEG		1 PC	6	BOLT M6 x 1 9/16"		2 PC
G	SIDE RAIL		2 PCS	7	SPRING WASHER M6 x x 1/2"		2 PC
H	SLAT		4 PCS	8	FLAT WASHER M6 x 3/4"		2 PC
I	SLAT SUPPORT LEG		8 PCS	9	WOOD DOWEL Ø8 x 1 3/16"		2 PC
J	HEADBOARD STRETCHER		1 PC	10	ALLEN KEY M4 x 2 3/8"		1 PC
WEIGHT CAPACITY			800LBS	11	CSK SCREW M4 x 1 1/4"		8 PCS

HARDWARE DIMENSIONS
VERIFICATION TOOL



ASSEMBLY INSTRUCTIONS

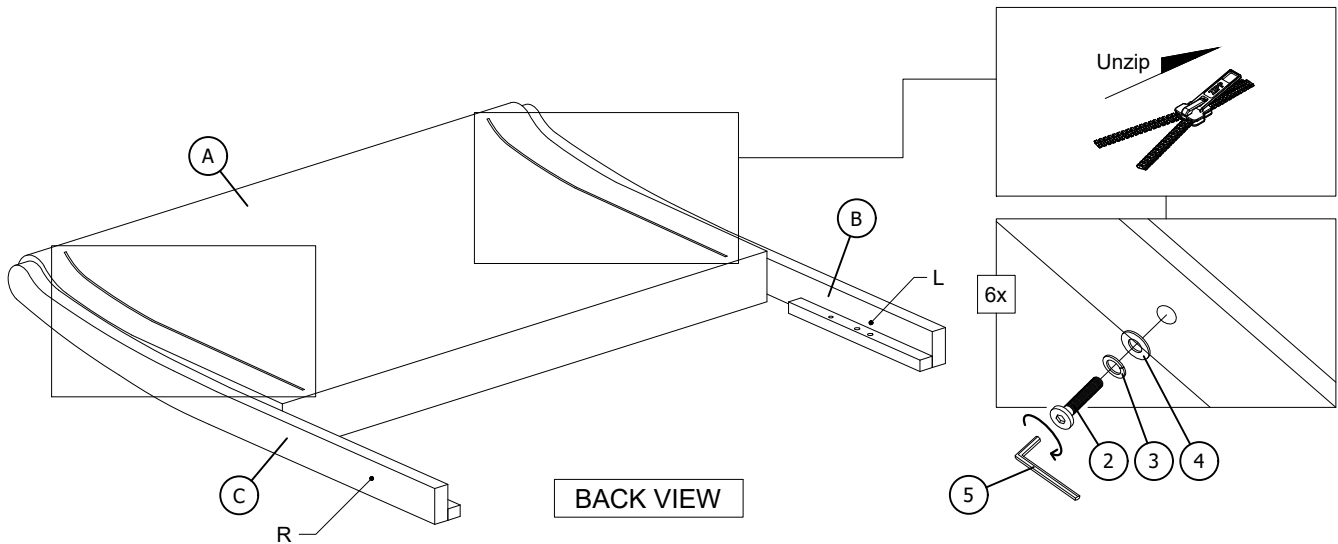
COVENTRY HALL COLLECTION

MODEL : B1828-115 COVENTRY HALL 6/6 EK HB,FB AND SLATS
: B1828-335 COVENTRY HALL 6/6-5/0 EK/Q SIDE RAILS

STEP 1: Lay the Headboard (A) face down on a flat and clean surface.

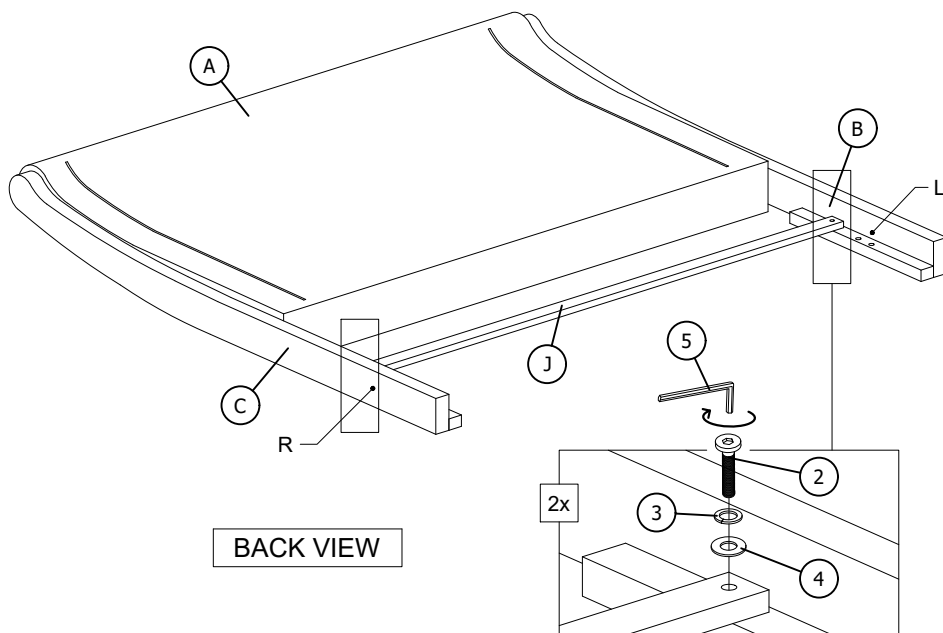
Unzip the zipper at the back of the Headboard (A) to reach holes to assemble the Headboard Legs (B & C) with the Headboard (A) by using Allen Key (5) with hardware (2), (3) and (4).

** Attention: DO NOT OVER TIGHTEN THE BOLTS.



STEP 2: Assemble the Headboard Stretcher (J) with the Headboard Legs (B & C) by using Allen Key (5) with hardware (2), (3) and (4).

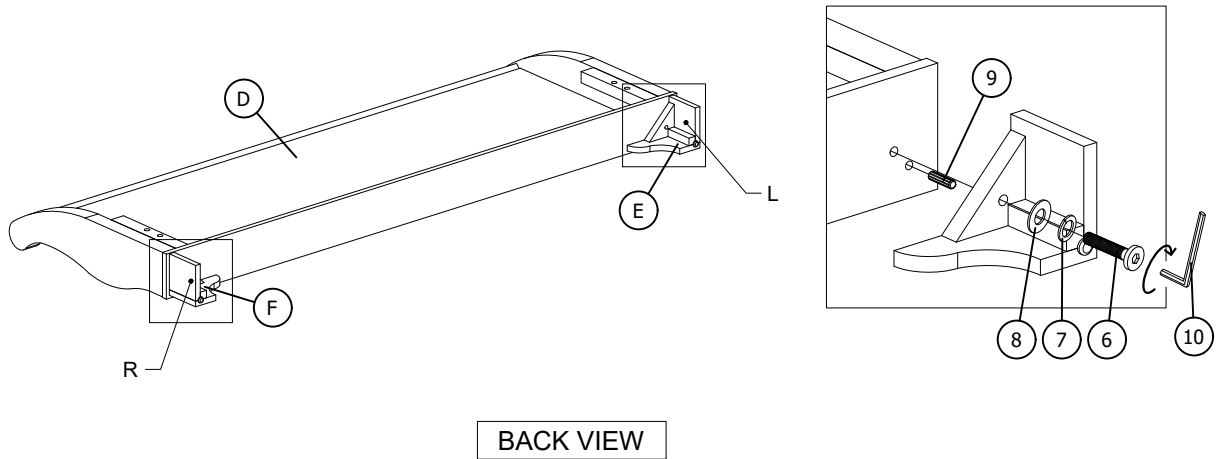
** Attention: DO NOT OVER TIGHTEN THE BOLTS.



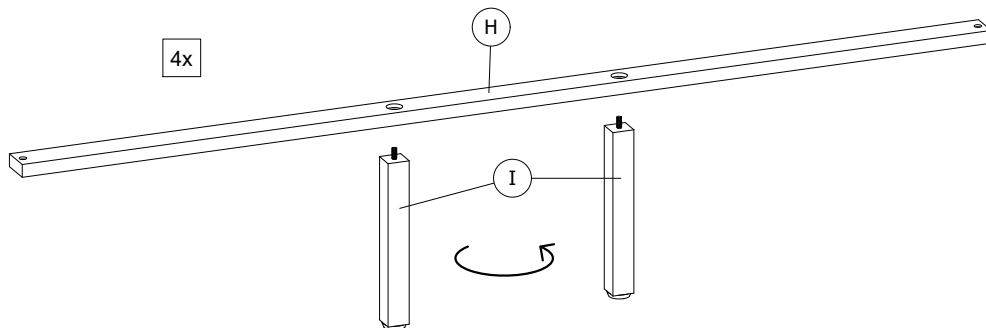
ASSEMBLY INSTRUCTIONS COVENTRY HALL COLLECTION

MODEL : B1828-115 COVENTRY HALL 6/6 EK HB,FB AND SLATS
: B1828-335 COVENTRY HALL 6/6-5/0 EK/Q SIDE RAILS

STEP 3: Lay the Footboard (D) face down on a flat and clean surface.
Assemble the Footboard Legs (E & F) with the Footboard (D) by using Allen Key (10) with hardware (6), (7), (8) and (9).
**** Attention: DO NOT OVER TIGHTEN THE BOLTS**



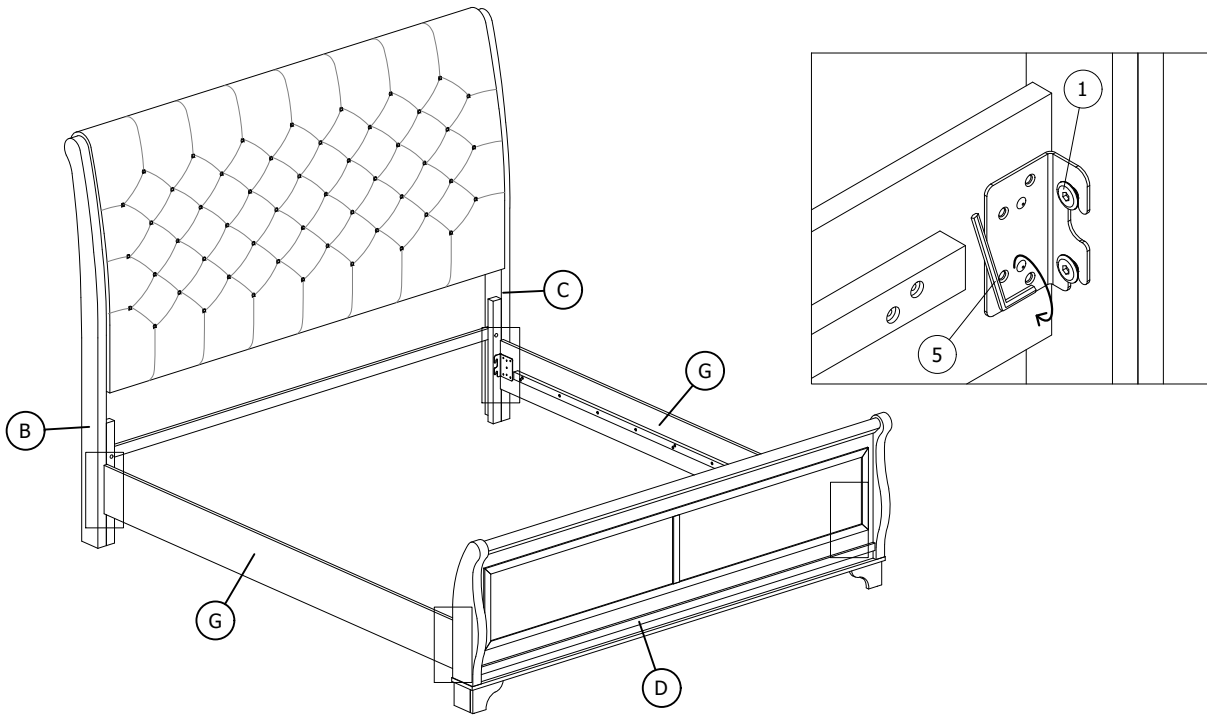
STEP 4: Attach Slat support Leg (I) to Slat (H) by rotating it clockwise.
Repeat this step for all Support Legs (I) and Slats (H).



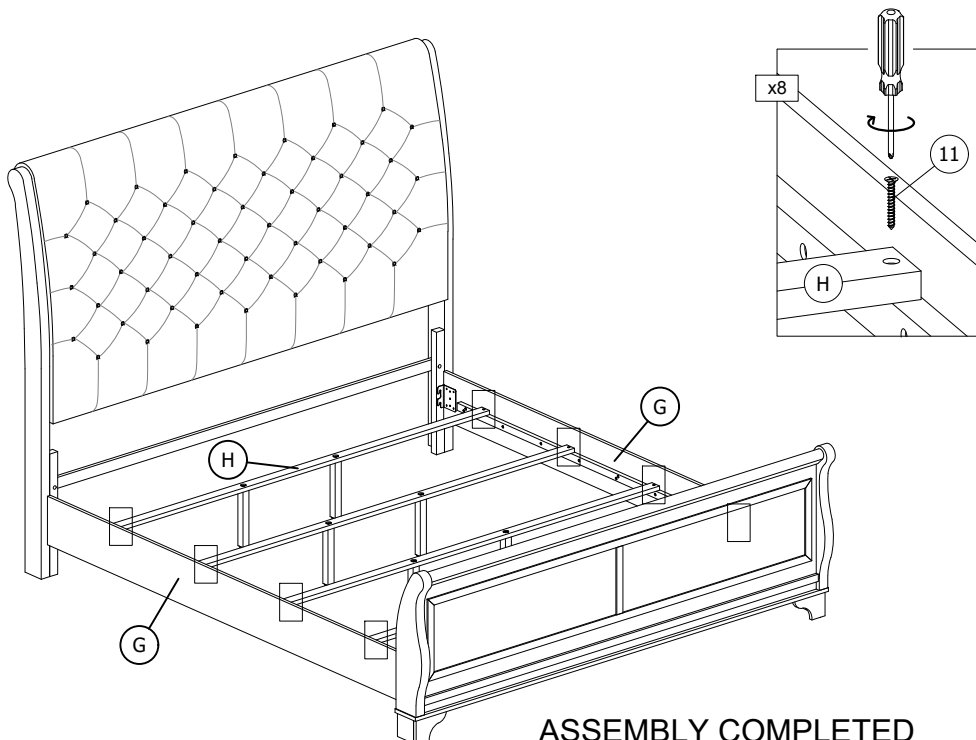
ASSEMBLY INSTRUCTIONS COVENTRY HALL COLLECTION

MODEL : B1828-115 COVENTRY HALL 6/6 EK HB,FB AND SLATS
: B1828-335 COVENTRY HALL 6/6-5/0 EK/Q SIDE RAILS

STEP 5: Assemble the Side Rail (G) with the Headboard Legs (B & C) and Footboard (D) by using Allen Key (5) with hardware (1).
** Attention: DO NOT OVER TIGHTEN THE BOLTS.



STEP 6: Assemble the Slat (H) with the Side Rail (G) by using a screwdriver with hardware CSK Screw (11).
** Attention: DO NOT OVER TIGHTEN THE SCREW



ASSEMBLY COMPLETED

ASSEMBLY INSTRUCTIONS

COVENTRY HALL COLLECTION

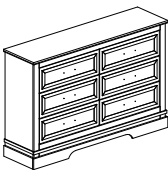
MODEL : B1828-050 COVENTRY HALL DRESSER
(1 Per Carton)

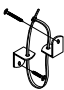
Thank you for purchasing this quality product. Be sure to check all packing materials carefully for small parts, which may have come loose inside the carton during shipment. Identify and count all items and compare with the parts list and/or hardware list shown below.

Please read all instructions carefully. See the hardware and furniture part listing for guidance. Be sure you have all parts listed before beginning assembly. Place all wooden parts on a clean, flat surface to protect the finish from scratches. Follow the diagram to assemble.

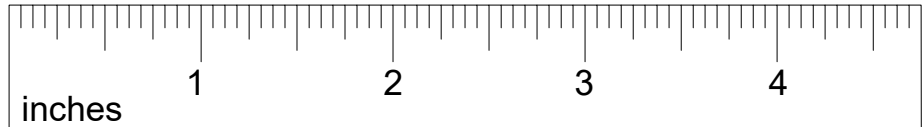
CAUTION

1. Do not fully tighten the nuts or bolts until the table is fully assembled.
2. Please tighten by hand, not by a drill. Overtightening will damage threads. Do not overtighten.
3. Keep all hardware out of the reach of children.

PARTS LIST			
ITEM	DESCRIPTION	SKETCH	QTY
A	DRESSER		1 PC

HARDWARE LIST			
ITEM	DESCRIPTION	SKETCH	QTY
1	TIPPING RESTRAINT		1 PC

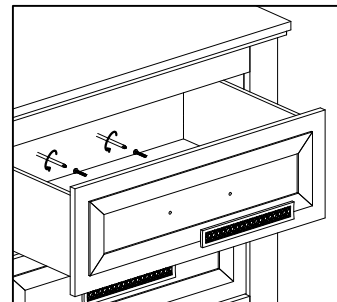
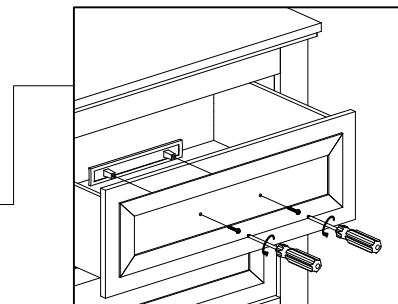
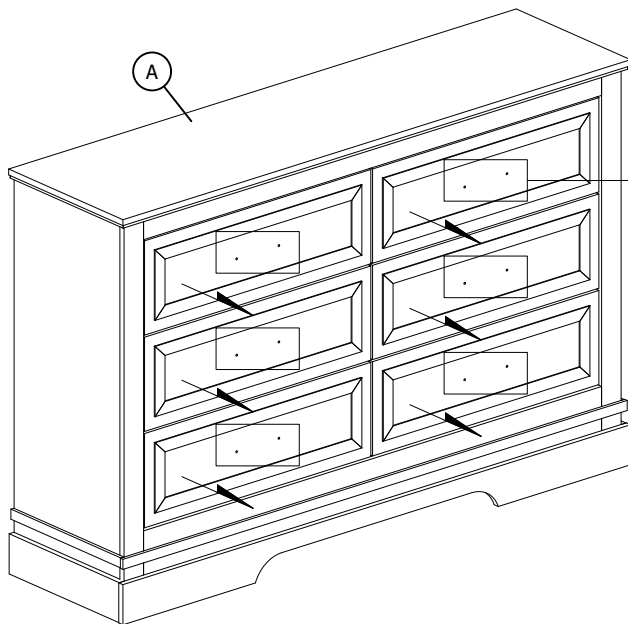
HARDWARE DIMENSIONS VERIFICATION TOOL



STEP 1: Install the handle by unscrewing the bolts with a screwdriver and move the handle to the outside of the drawers and screw the bolts back in from the inside of the drawers.

Repeat for each handle.

**** Attention: DO NOT OVER TIGHTEN THE SCREWS.**

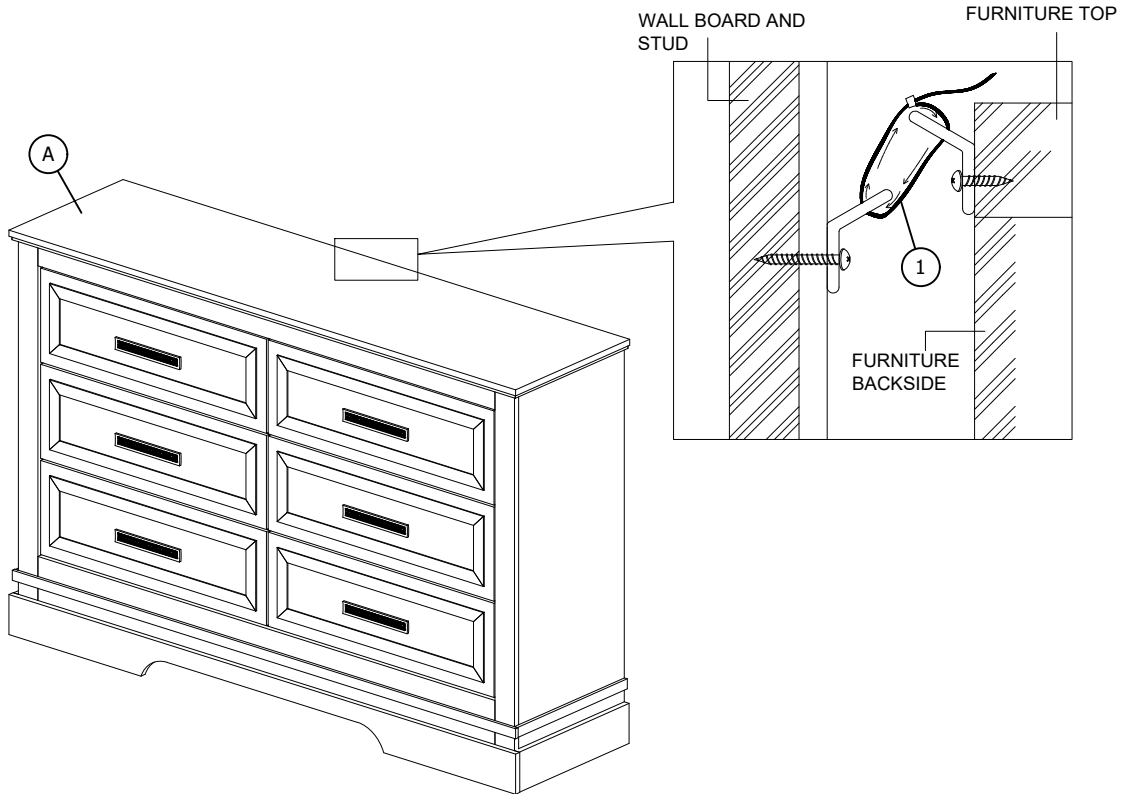


ASSEMBLY INSTRUCTIONS

COVENTRY HALL COLLECTION

MODEL : B1828-050 COVENTRY HALL DRESSER
(1 Per Carton)

STEP 2: Follow the instructions from the anti-tipping kit to install the Tipping Restraint (1).



ASSEMBLY COMPLETED

ASSEMBLY INSTRUCTIONS

COVENTRY HALL COLLECTION

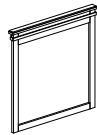






MODEL : B1828-060 COVENTRY HALL MIRROR
(1 Per Carton)

Thank you for purchasing this quality product. Be sure to check all packing materials carefully for small parts, which may have come loose inside the carton during shipment. Identify and count all items and compare with the parts list and/or hardware list shown below.

Please read all instructions carefully. See the hardware and furniture part listing for guidance. Be sure you have all parts listed before beginning assembly. Place all wooden parts on a clean, flat surface to protect the finish from scratches. Follow the diagram to assemble.

CAUTION

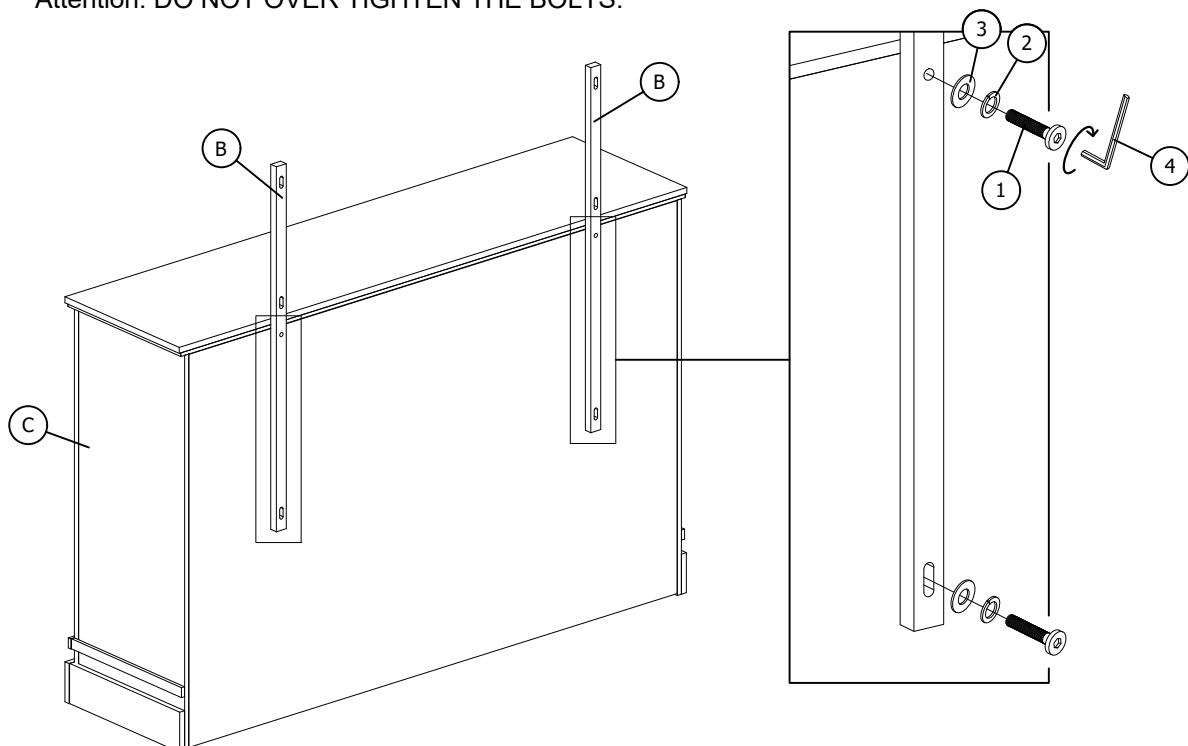
1. Do not fully tighten the nuts or bolts until the table is fully assembled.
2. Please tighten by hand, not by a drill. Overtightening will damage threads. Do not overtighten.
3. Keep all hardware out of the reach of children.

PARTS LIST				HARDWARE LIST			
ITEM	DESCRIPTION	SKETCH	QTY	ITEM	DESCRIPTION	SKETCH	QTY
A	MIRROR		1 PC	1	BOLT M6 x 1 9/16"		8 PCS
B	MIRROR SUPPORT		2 PCS	2	SPRING WASHER M6 x 1/2"		8 PCS
C	DRESSER (FROM DRESSER BOX)		1 PC	3	FLAT WASHER M6 x 3/4"		8 PCS
				4	ALLEN KEY M4 x 2 3/8"		1 PC

HARDWARE DIMENSIONS VERIFICATION TOOL



STEP 1: Assemble the Mirror Support (B) with the Dresser (C) by using Allen Key (4) with hardware (1), (2) and (3).
** Attention: DO NOT OVER TIGHTEN THE BOLTS.

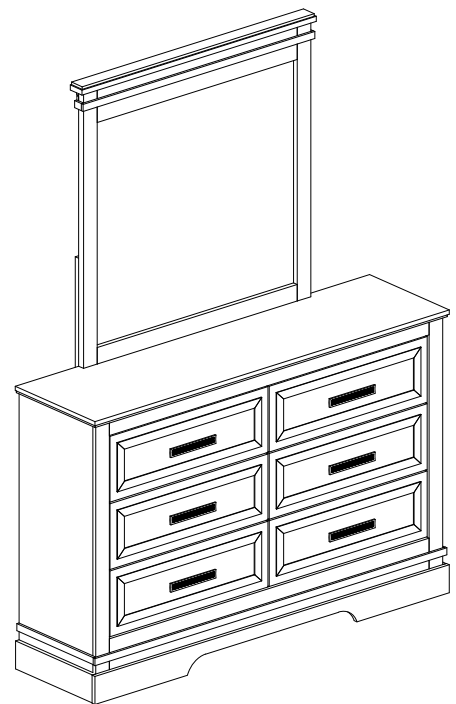
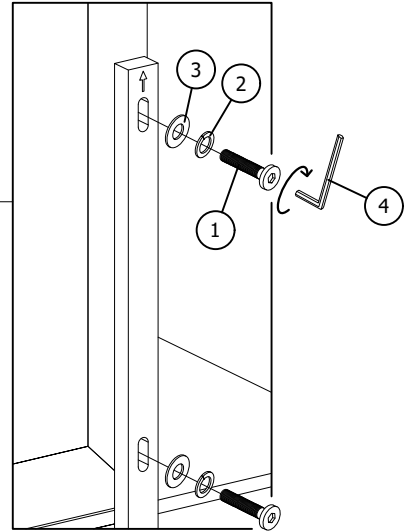
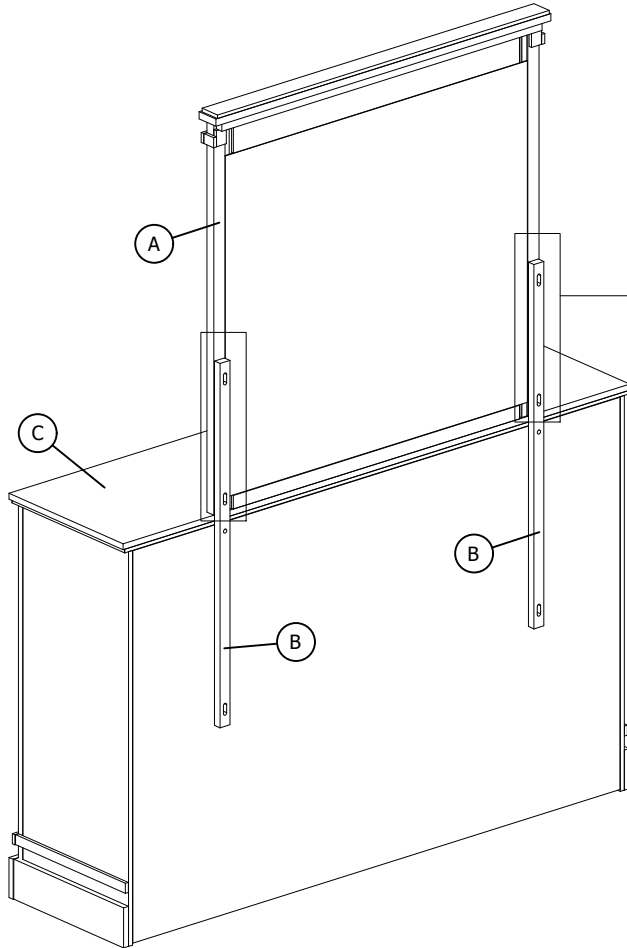


ASSEMBLY INSTRUCTIONS

COVENTRY HALL COLLECTION

MODEL : B1828-060 COVENTRY HALL MIRROR
(1 Per Carton)

STEP 2: Assemble the Mirror (A) with the Mirror Support (B) by using Allen Key (4) with hardware (1), (2) and (3).
** Attention: DO NOT OVER TIGHTEN THE BOLTS.



ASSEMBLY COMPLETED

ASSEMBLY INSTRUCTIONS

COVENTRY HALL COLLECTION

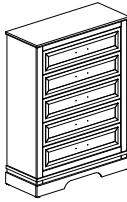
MODEL : B1828-070 COVENTRY HALL CHEST
(1 Per Carton)

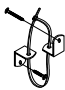
Thank you for purchasing this quality product. Be sure to check all packing materials carefully for small parts, which may have come loose inside the carton during shipment. Identify and count all items and compare with the parts list and/or hardware list shown below.

Please read all instructions carefully. See the hardware and furniture part listing for guidance. Be sure you have all parts listed before beginning assembly. Place all wooden parts on a clean, flat surface to protect the finish from scratches. Follow the diagram to assemble.

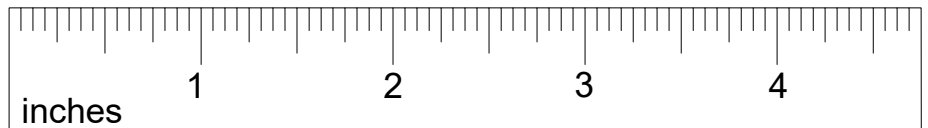
CAUTION

1. Do not fully tighten the nuts or bolts until the table is fully assembled.
2. Please tighten by hand, not by a drill. Overtightening will damage threads. Do not overtighten.
3. Keep all hardware out of the reach of children.

PARTS LIST			
ITEM	DESCRIPTION	SKETCH	QTY
A	CHEST		1 PC

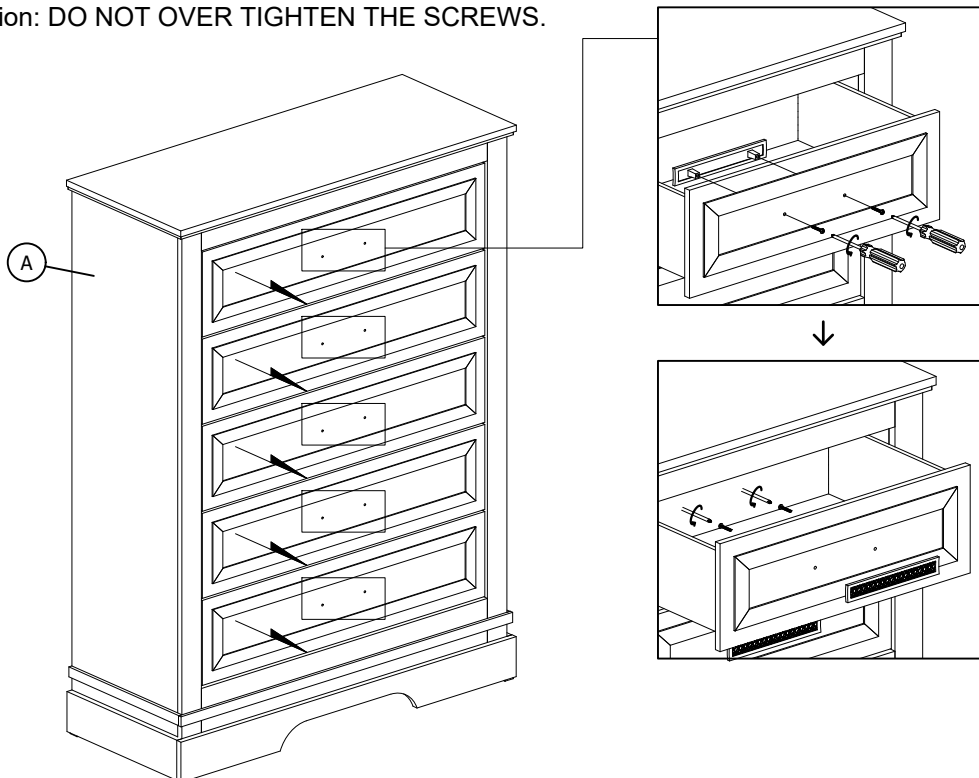
HARDWARE LIST			
ITEM	DESCRIPTION	SKETCH	QTY
1	TIPPING RESTRAINT		1 PC

HARDWARE DIMENSIONS VERIFICATION TOOL



STEP 1: Install the handle by unscrewing the bolts with a screwdriver and move the handle to the outside of the drawers and screw the bolts back in from the inside of the drawers. Repeat for each handle.

**** Attention: DO NOT OVER TIGHTEN THE SCREWS.**

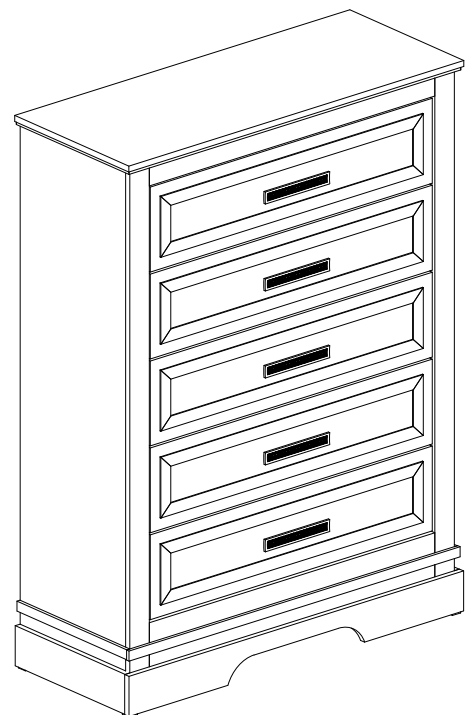
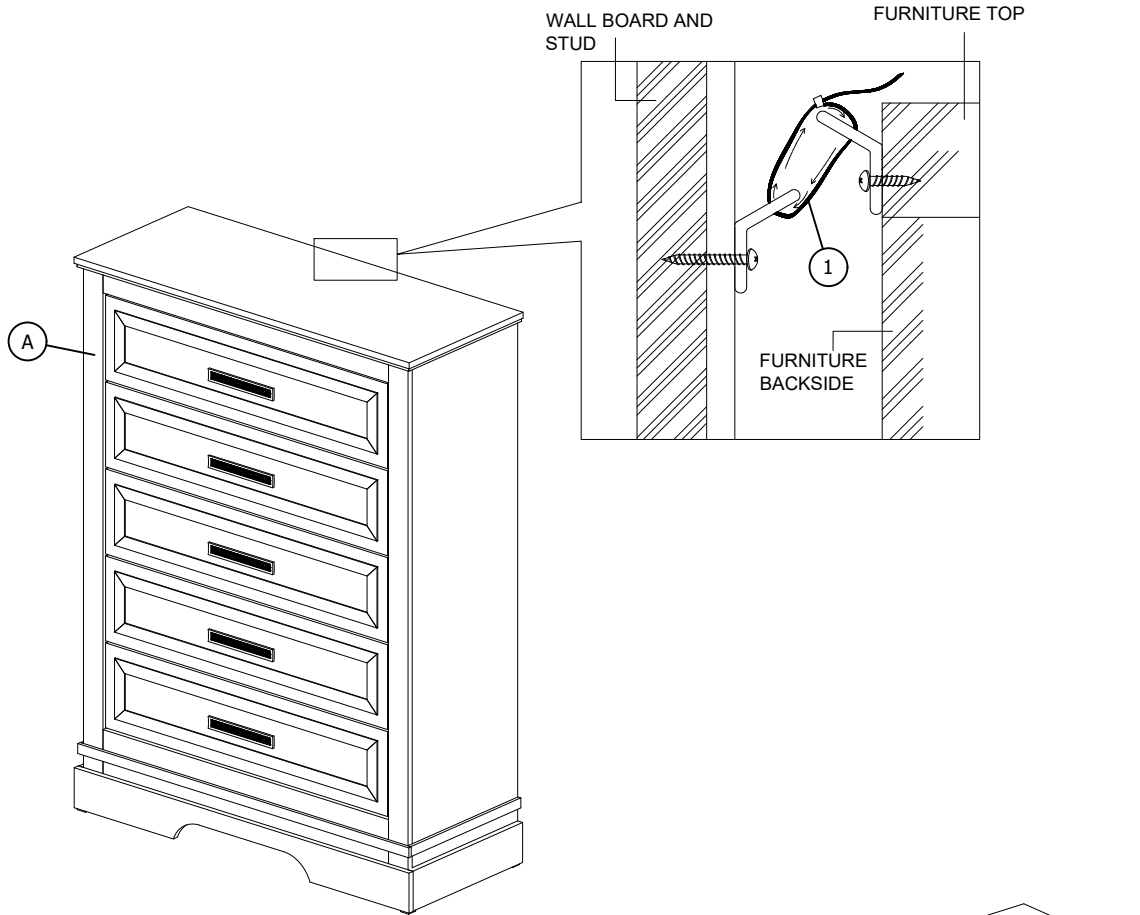


ASSEMBLY INSTRUCTIONS

COVENTRY HALL COLLECTION

MODEL : B1828-070 COVENTRY HALL CHEST
(1 Per Carton)

STEP 2: Follow the instructions from the anti-tipping kit to install the Tipping Restraint (1).



ASSEMBLY COMPLETED