

Shower Door
5/16" glass (8mm)

S9902-L INSTALLATION GUIDE

Installation Dimensions :

54" - 60" W x 60" H

48" - 54" W x 76" H

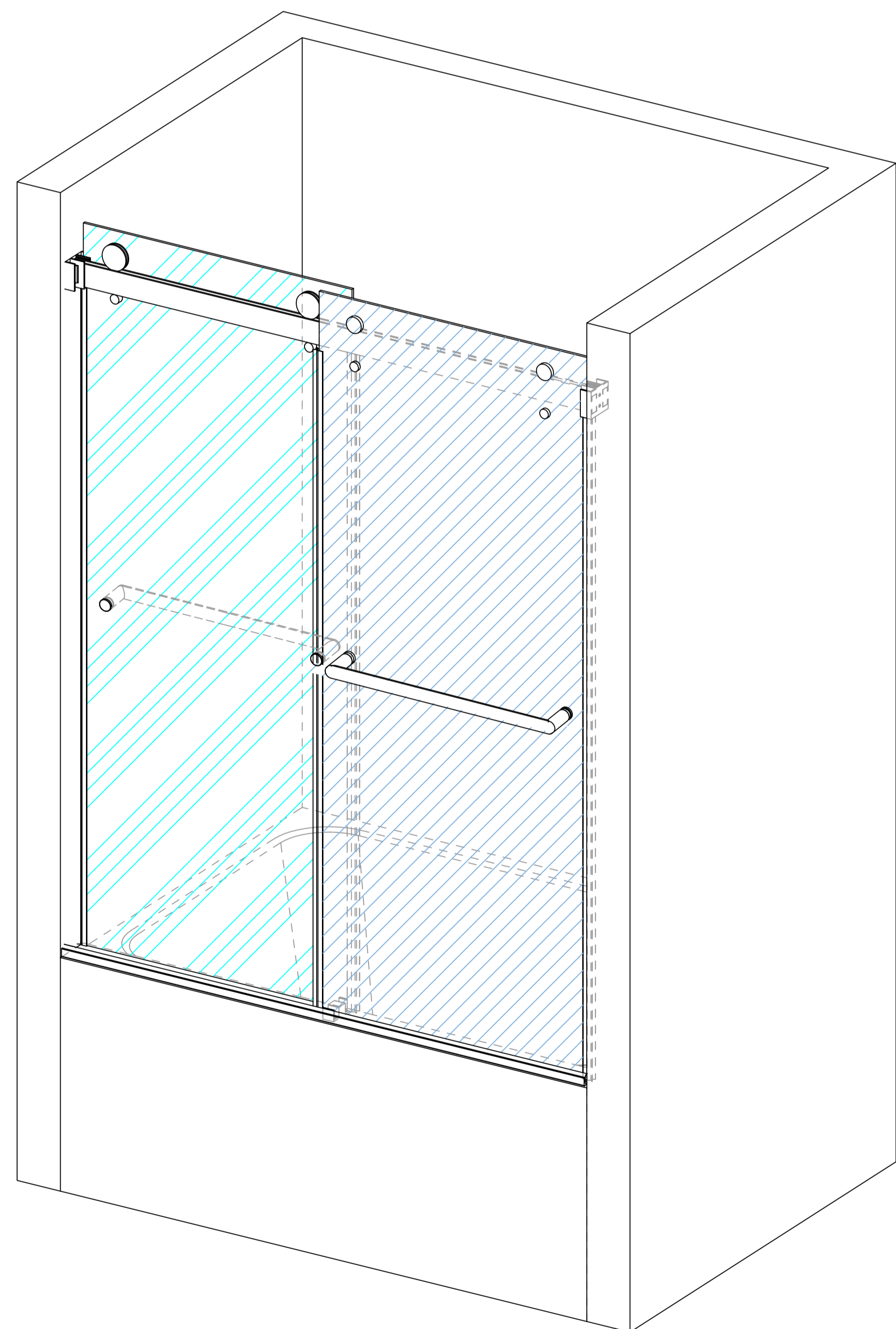
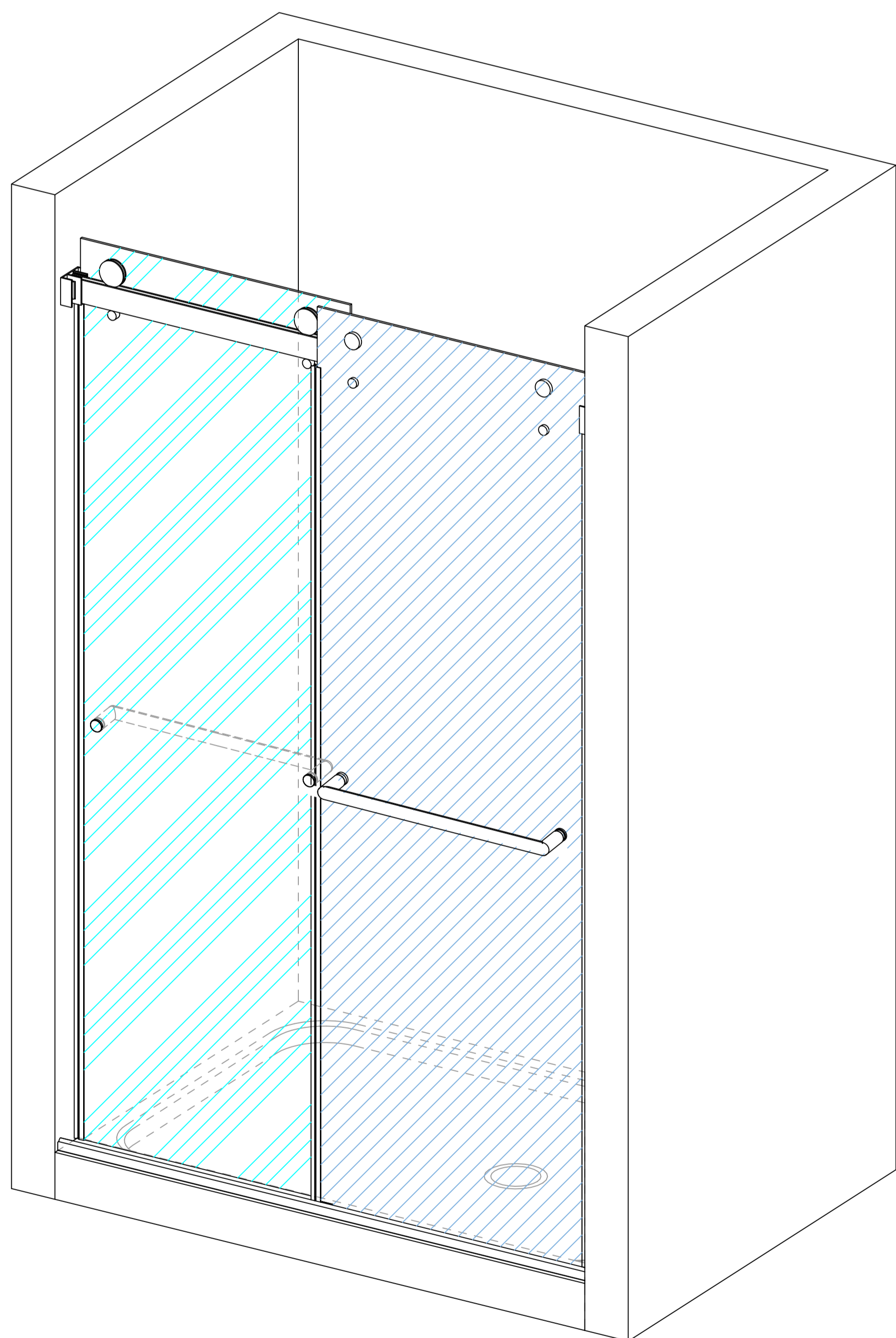
54" - 60" W x 76" H

42" - 48" W x 76" H

CAUTION:

To reduce the risk of breakage, keep corner protectors on glass while installing. Keep corner protectors for use in case future adjustments are needed.

Read the instructions carefully before installation.



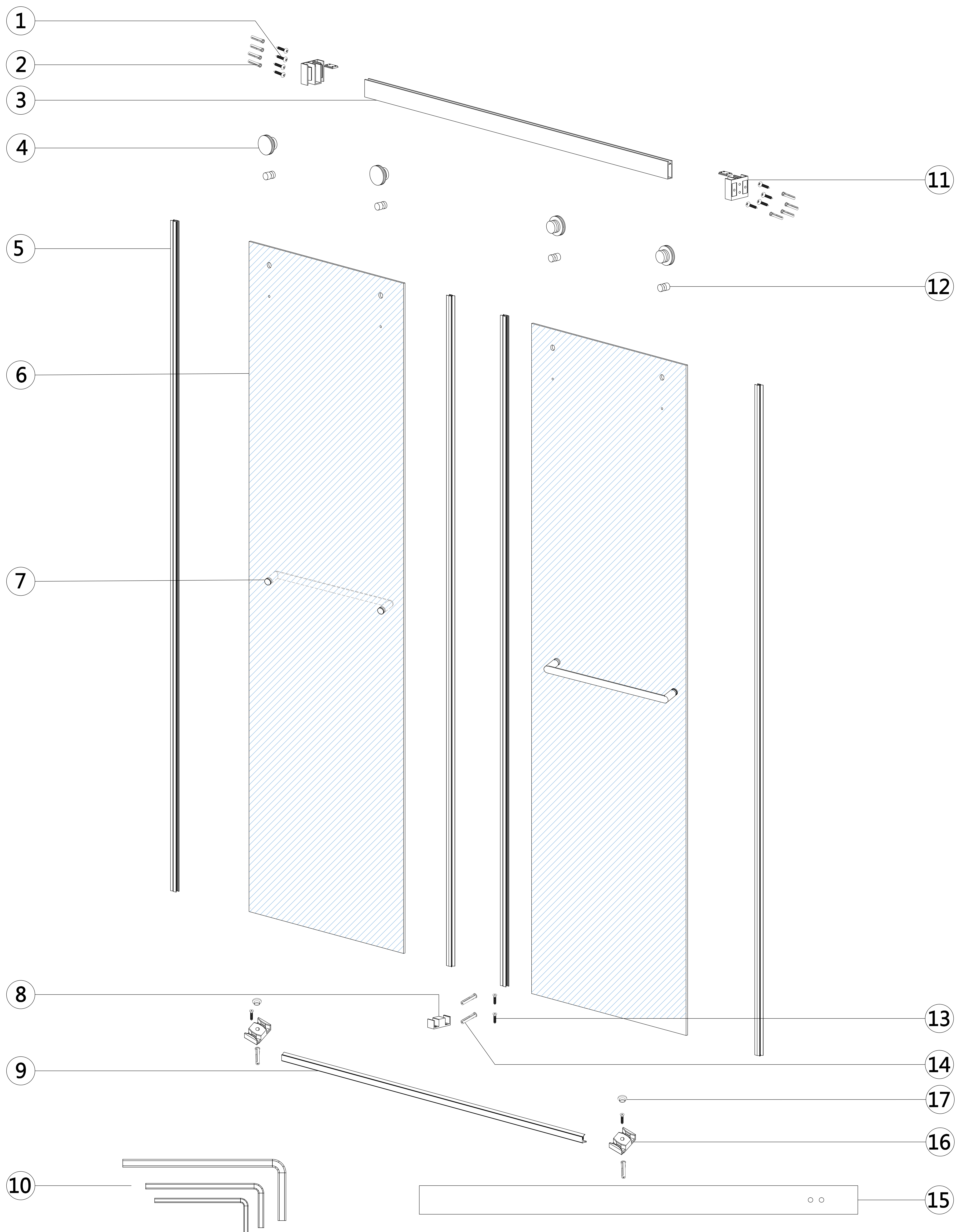
Please spend two minutes watching the installation video to save half an hour of installation time

Installation Video



Scan the QR code

Detailed Diagram

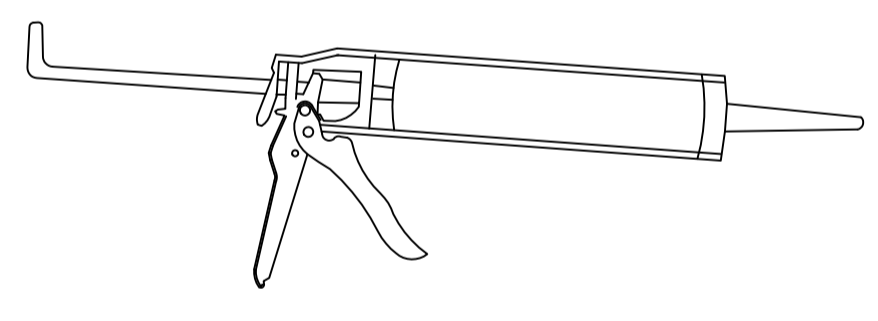
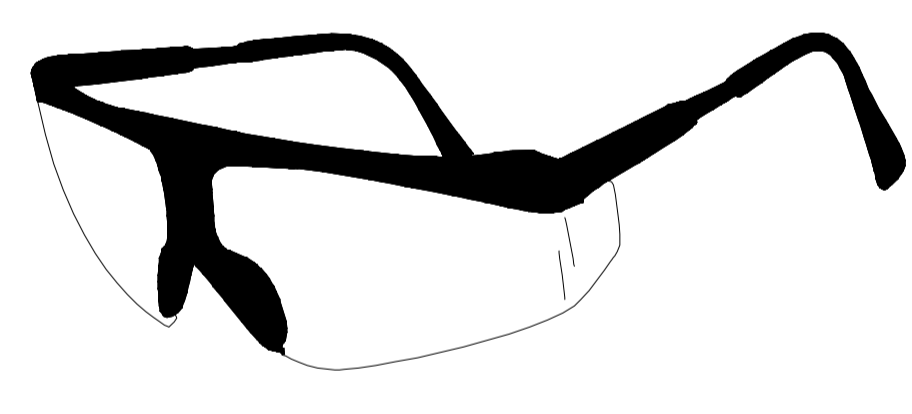
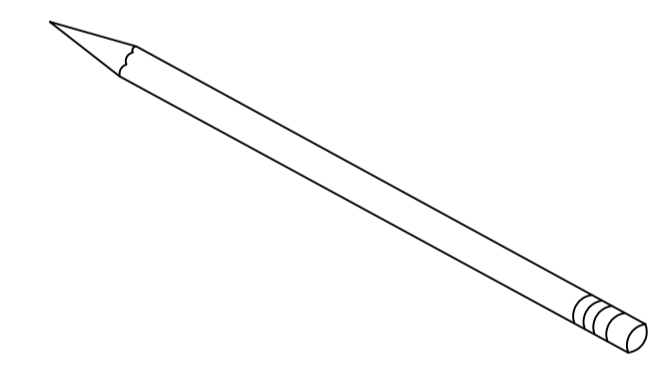
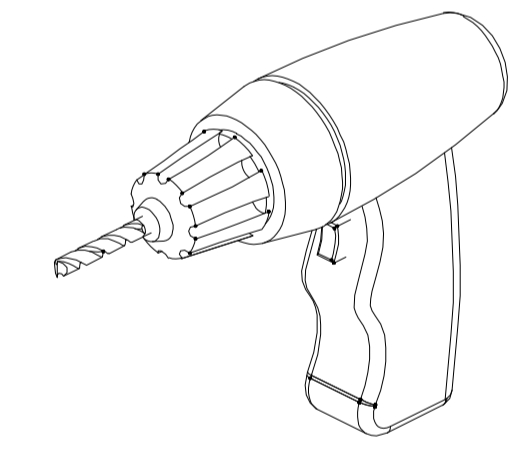
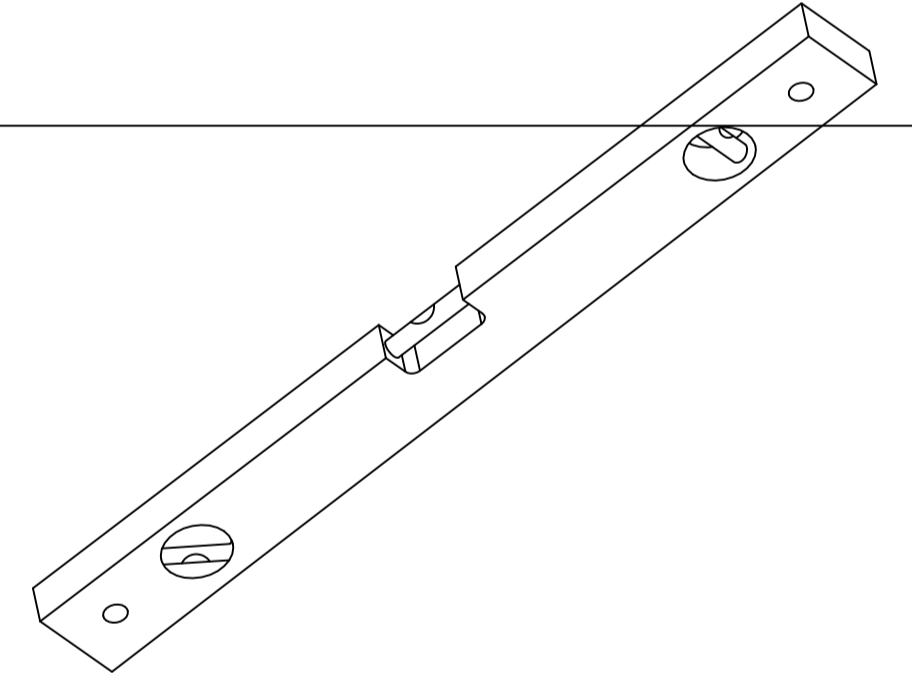
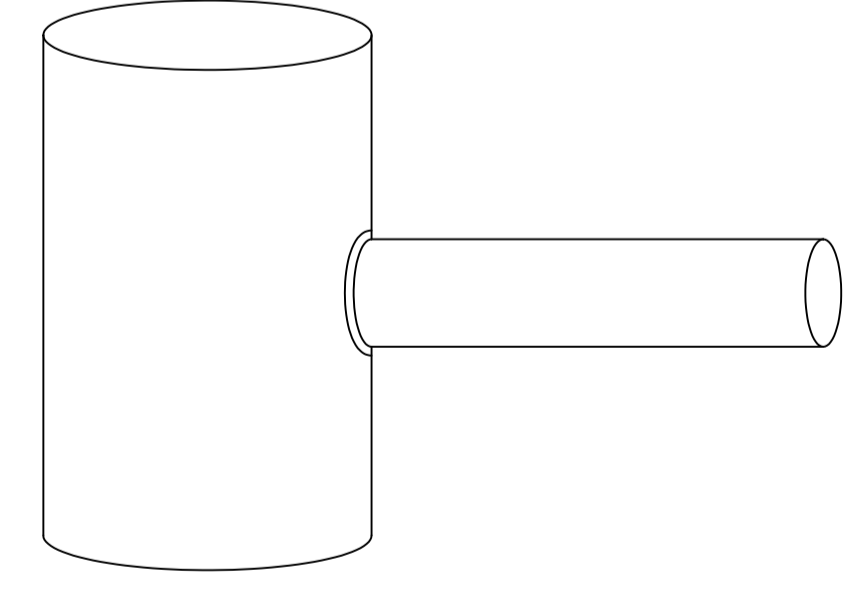
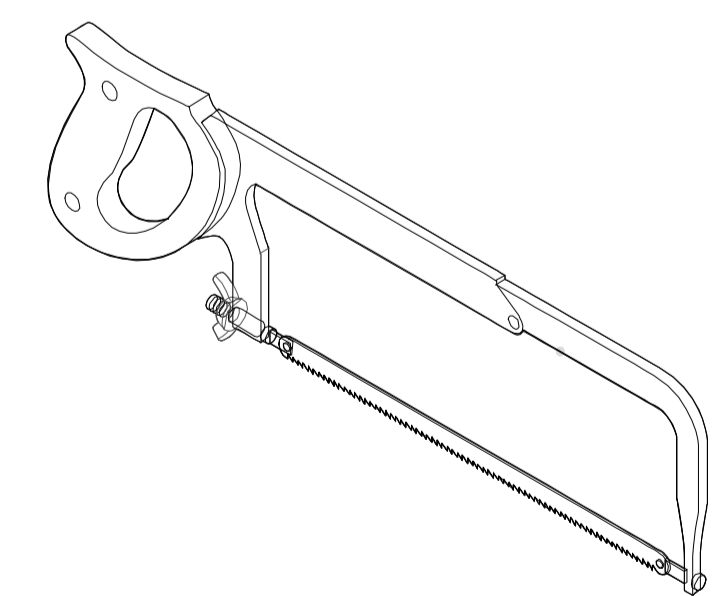
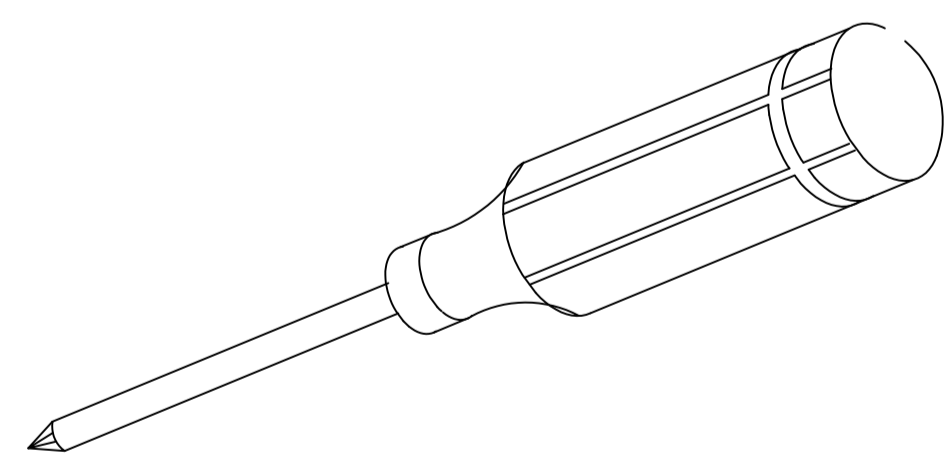
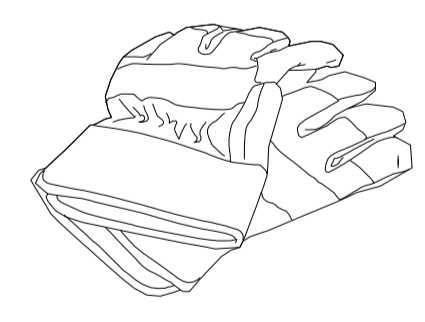
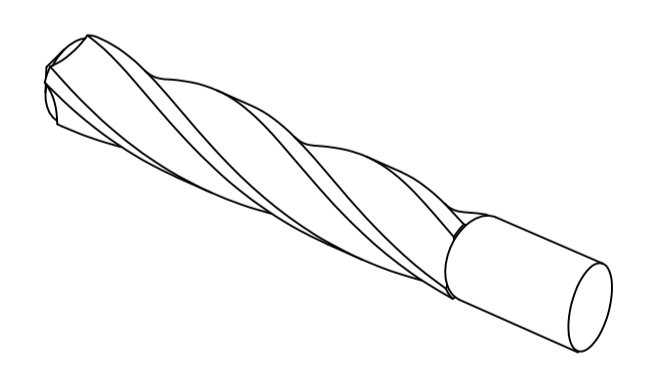
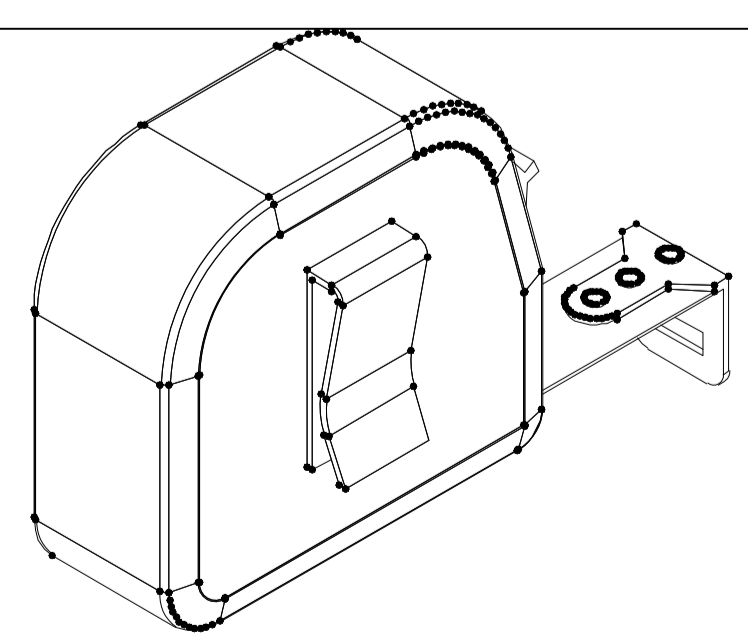
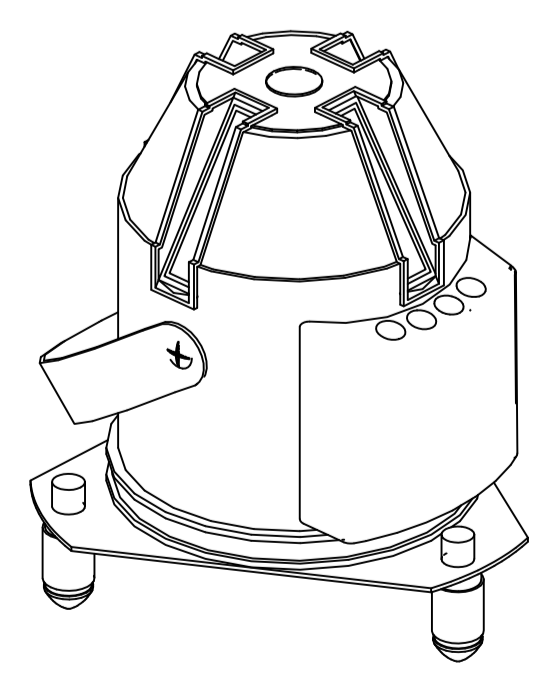


PART LIST

Check all parts according to the list before assembly

1		2		3		4		5	
	ST5.0X40 screw (8pcs)		8mm Rubber particles (8pcs)		top rail (1 pc)		roller (4 pcs)		waterproof strip (4pcs)
6		7		8		9		10	
	Active Panel (2 pcs)		Handle (2pcs)		guidance block (1pc)		Threshold (1pc)		Hex key (3pcs)
11		12		13		14		15	
	Pull rod wall connector (2 pcs)		Anti-jumper (4pcs)		M4.0X35 Screw(7pcs)		6mm Rubber particles (7pcs)		Template (1pc)
16		17							
	Slider block (2 pcs)		φ10 decorative cover (2 pcs)						

Recommended Tools

				
Silicone	Safety Glass	Pencil	Drill	Level
				
Rubber Hammer	Hacksaw	Screw Driver	Safety Gloves	1/4" Drill Bit
				
Tape Measure	laser level			

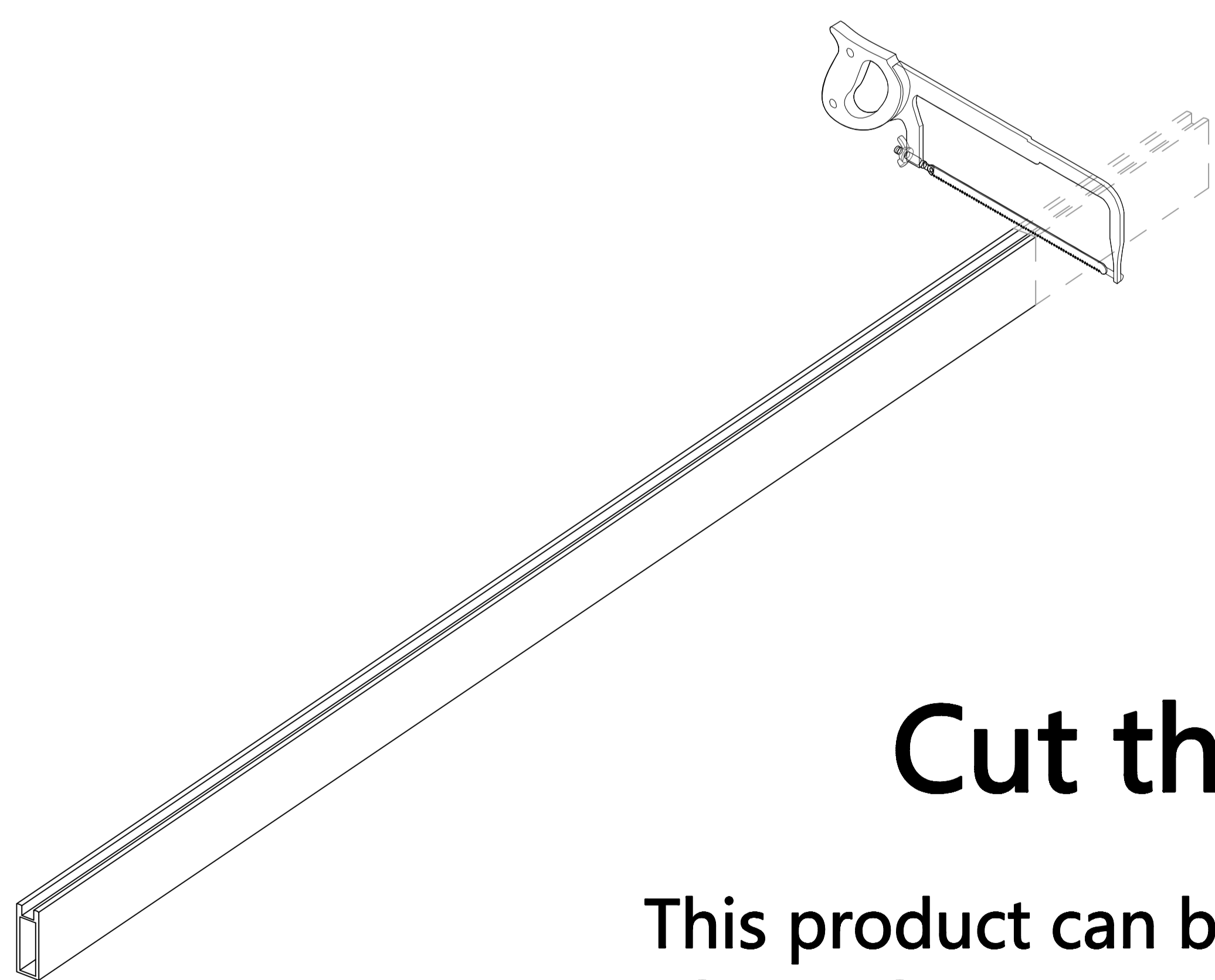
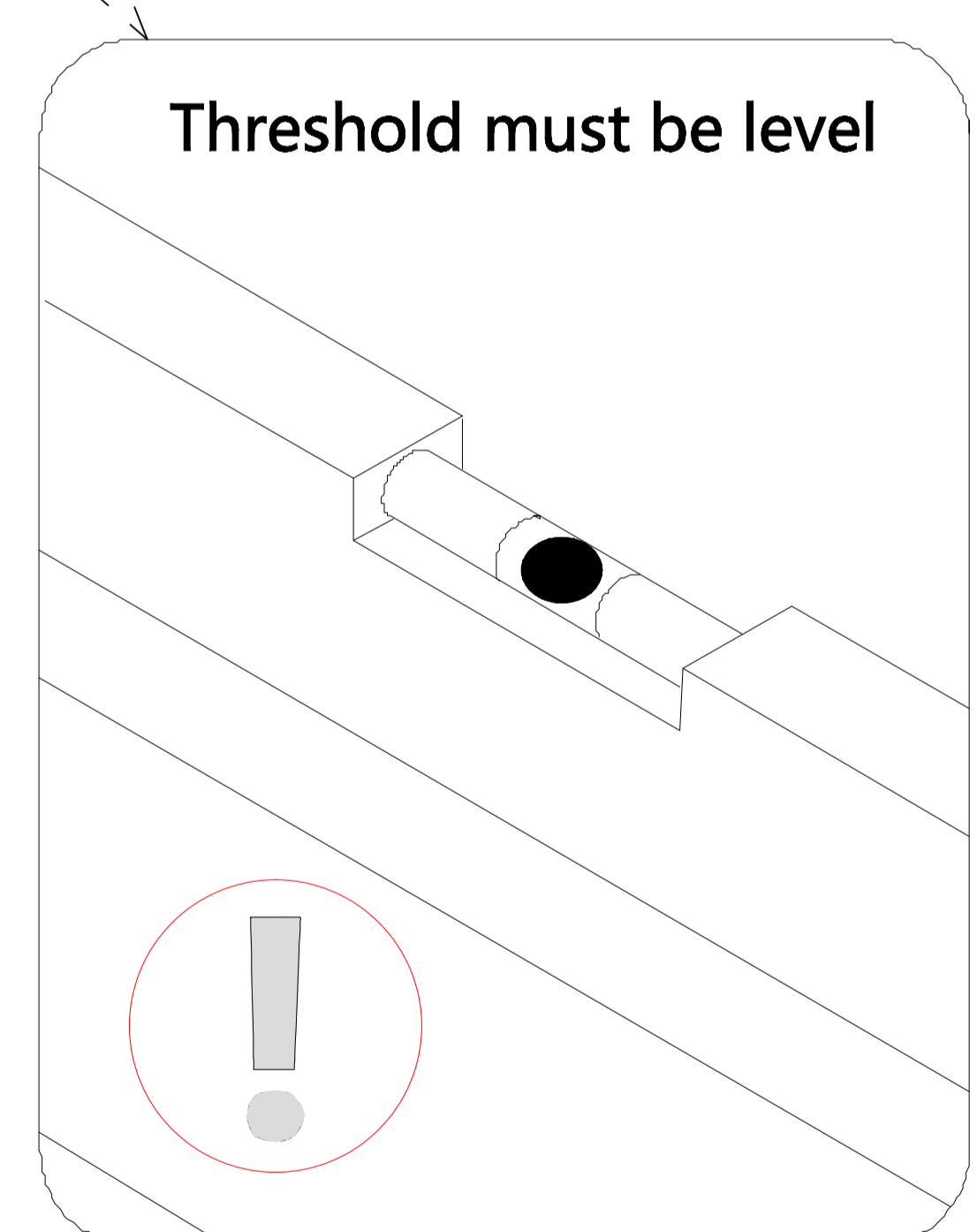
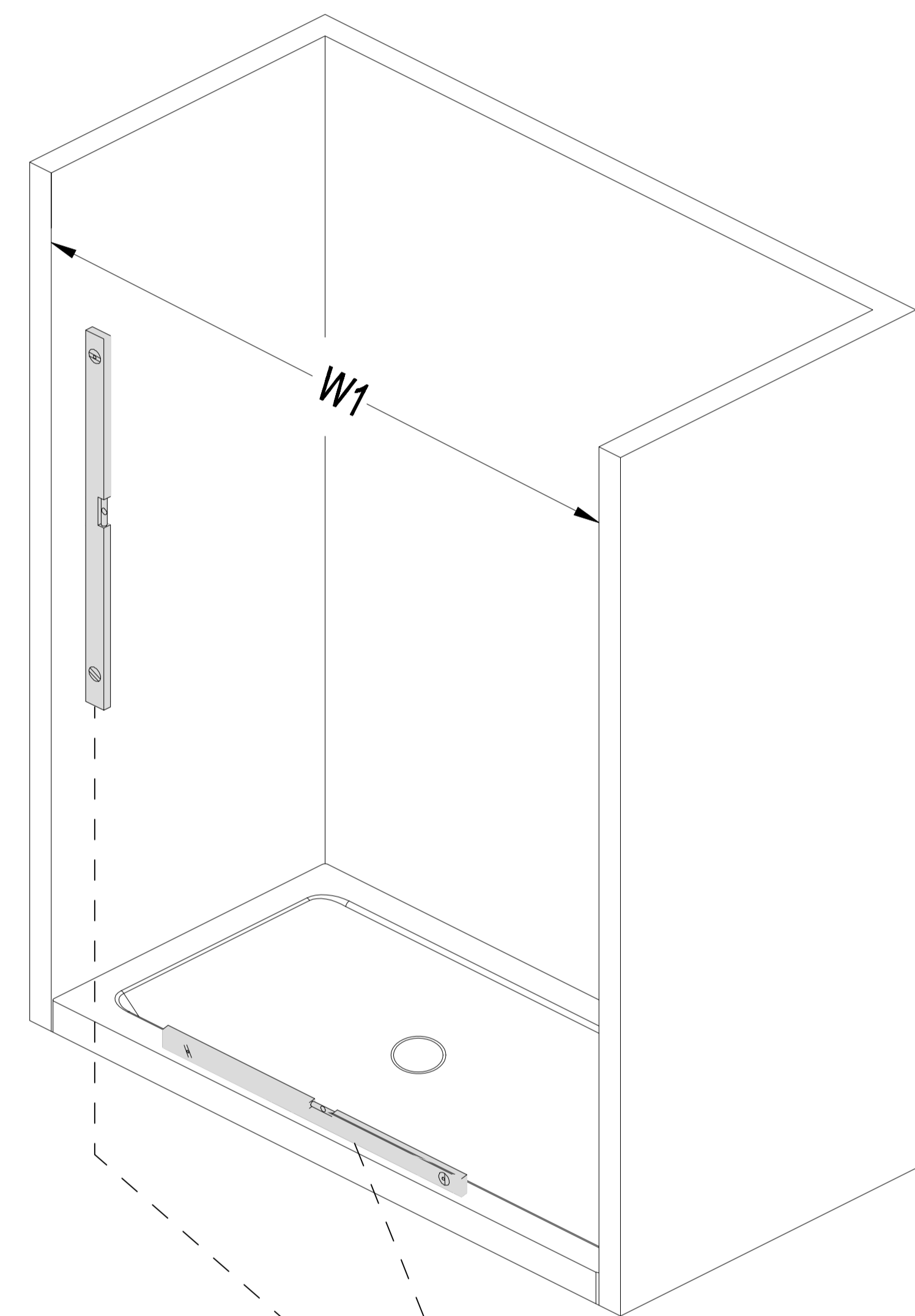
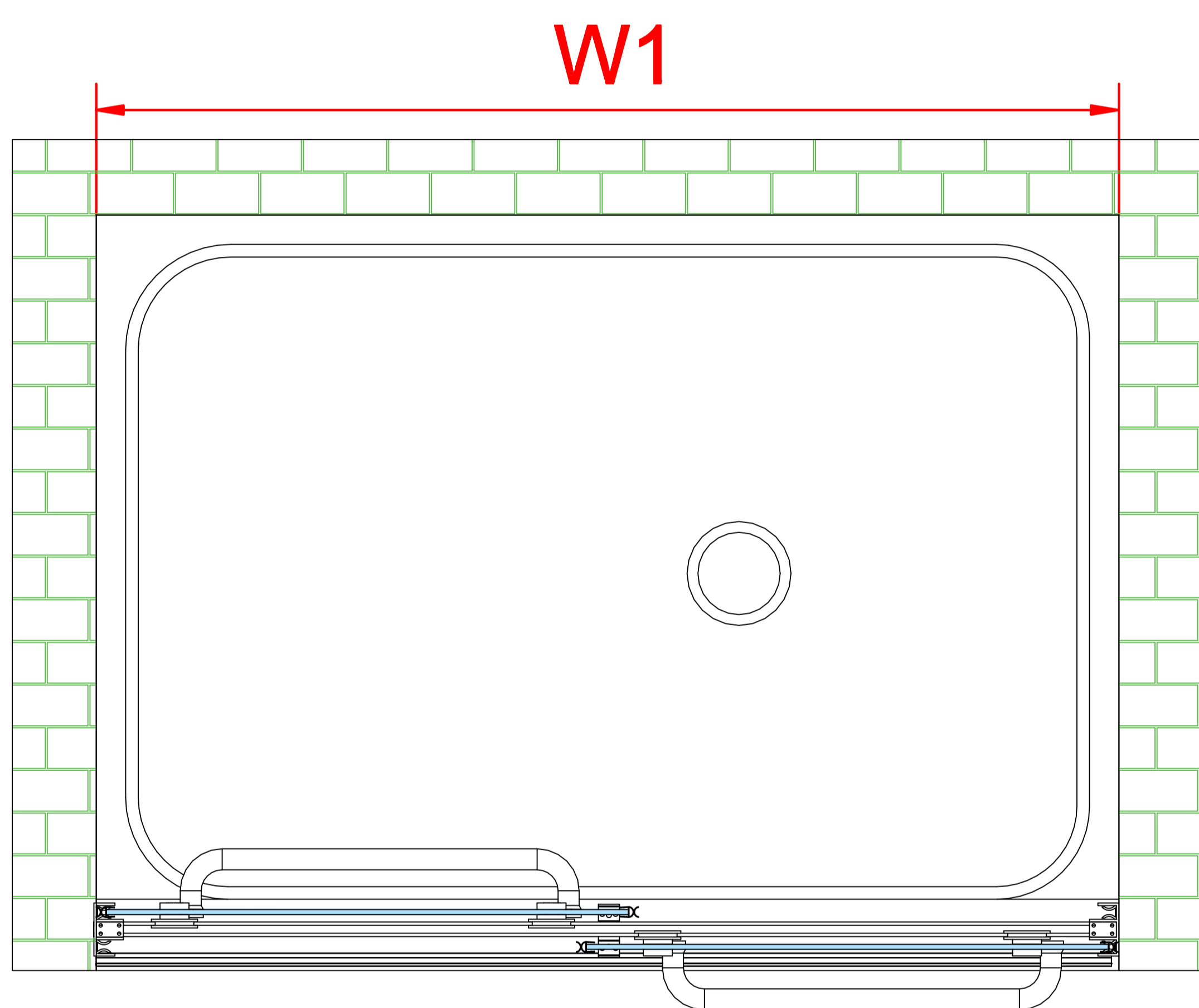
* Utilize Safety Glasses and Safety Gloves when constructing this shower door

* We recommend that 2 people work together to complete this installation

Measure the finished opening width

STEP 1

1. Measure the opening for the correct Shower Door distance " W1".
2. For 48" Shower Door, the opening should be **42-48"** between the lines.
3. For 54" Shower Door, the opening should be **48-54"** between the lines.
4. For 60" Shower Door, the opening should be **54-60"** between the lines.



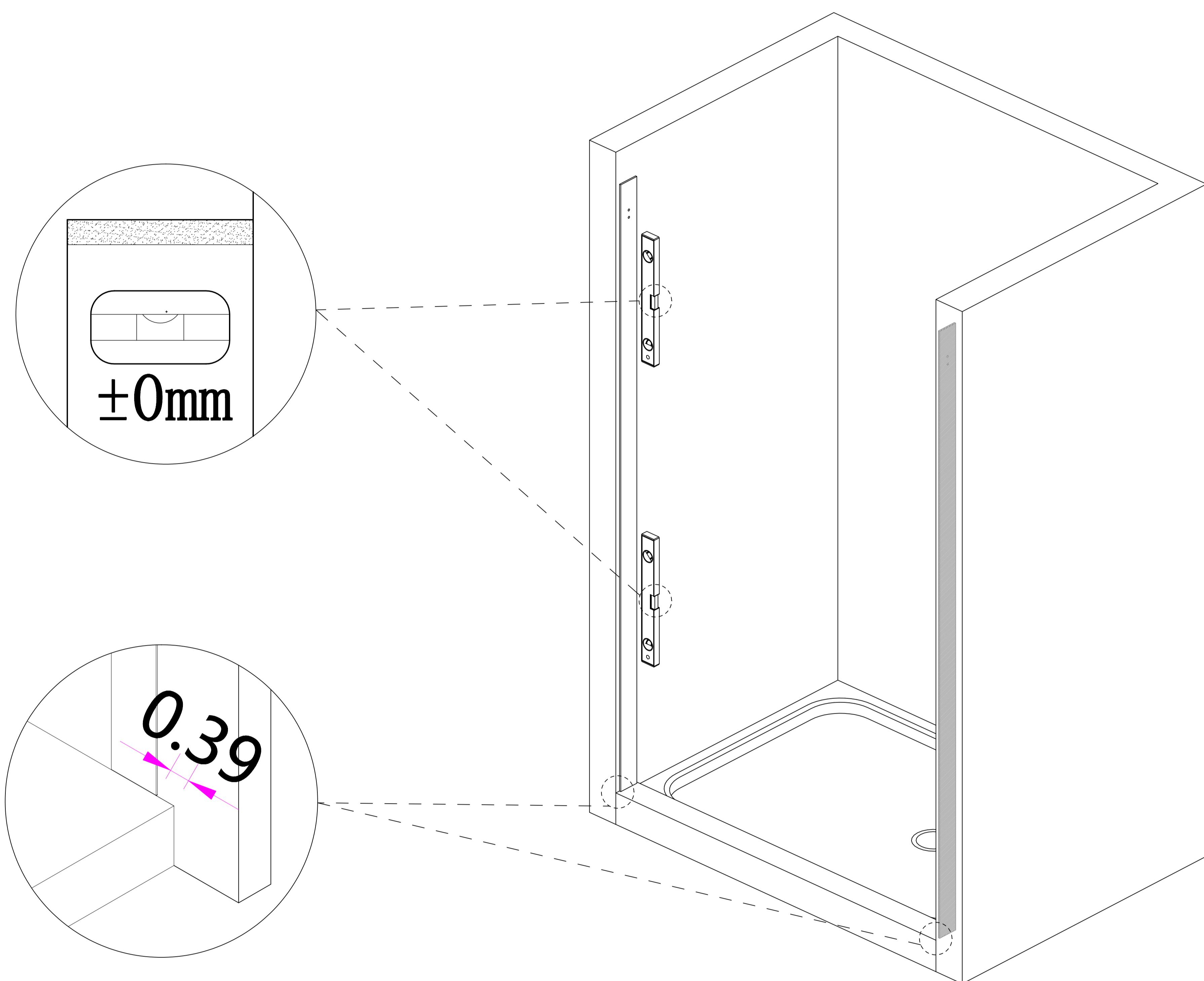
Cut the Top Rail ③

This product can be installed with a size reduction of 6" . If "W1" size is smaller than the standard specification, the Top Rail needs to be cut.
Top Rail Length=W1 -1"

Drilling with template (15)

STEP 2

1. Lean the template on the wall.
2. Make sure to level the template.
3. Use pencil to mark the hole on the template.



Place the template 0.39 inch away from the edge of the floor or stone foundation.



1. Lean the template on the wall.



2. Make sure to level the template.



3. Use pencil to mark the hole



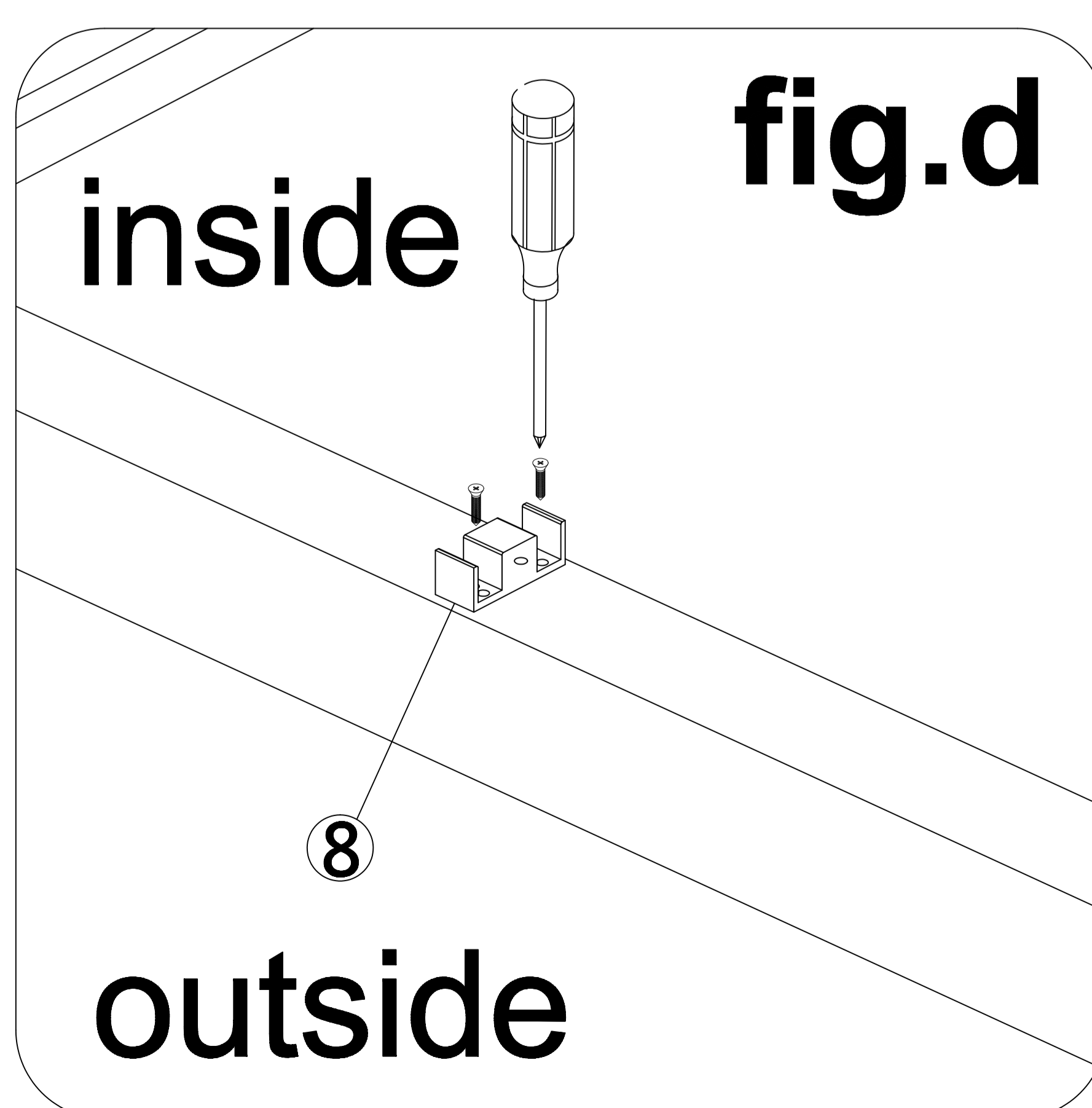
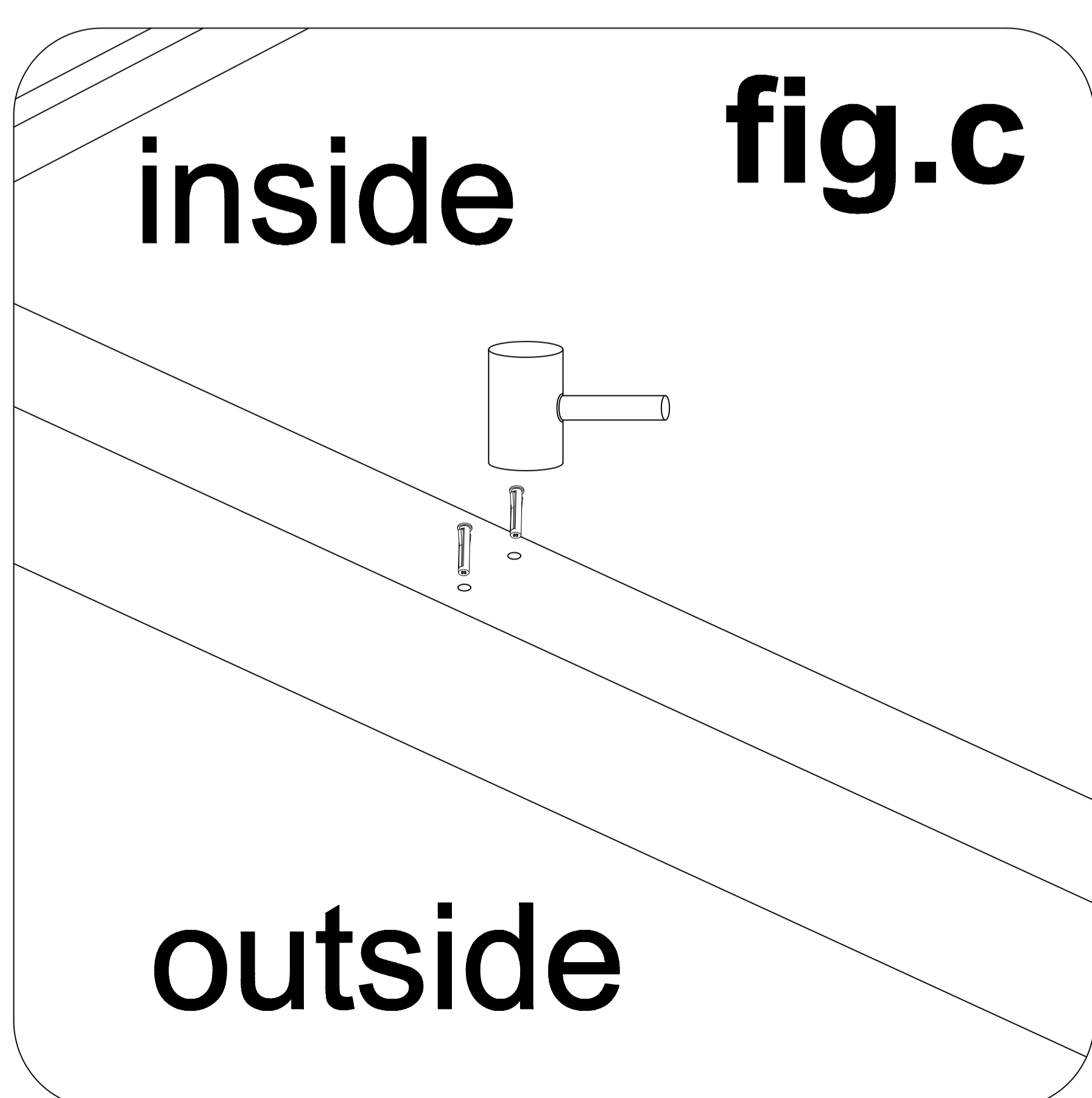
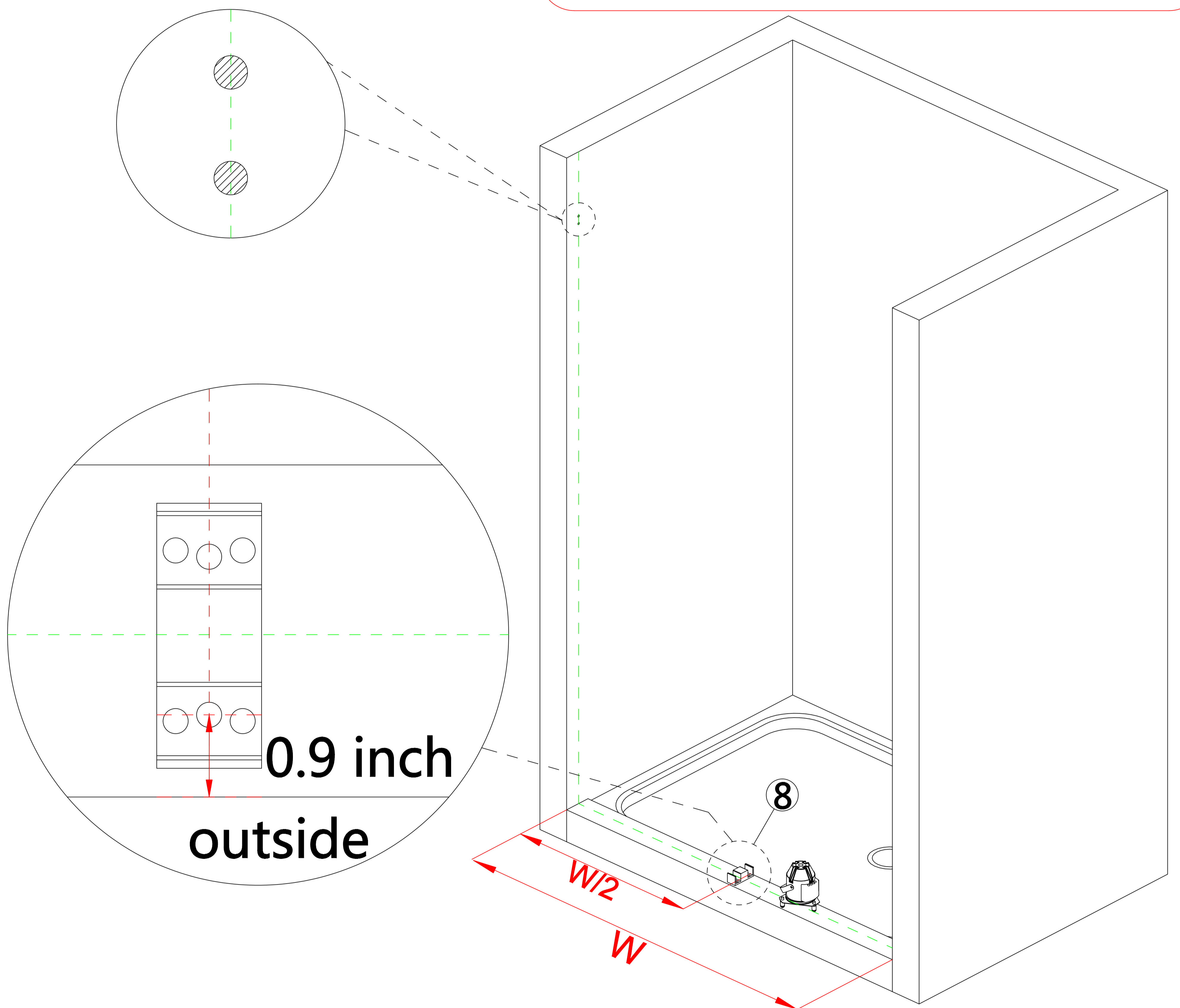
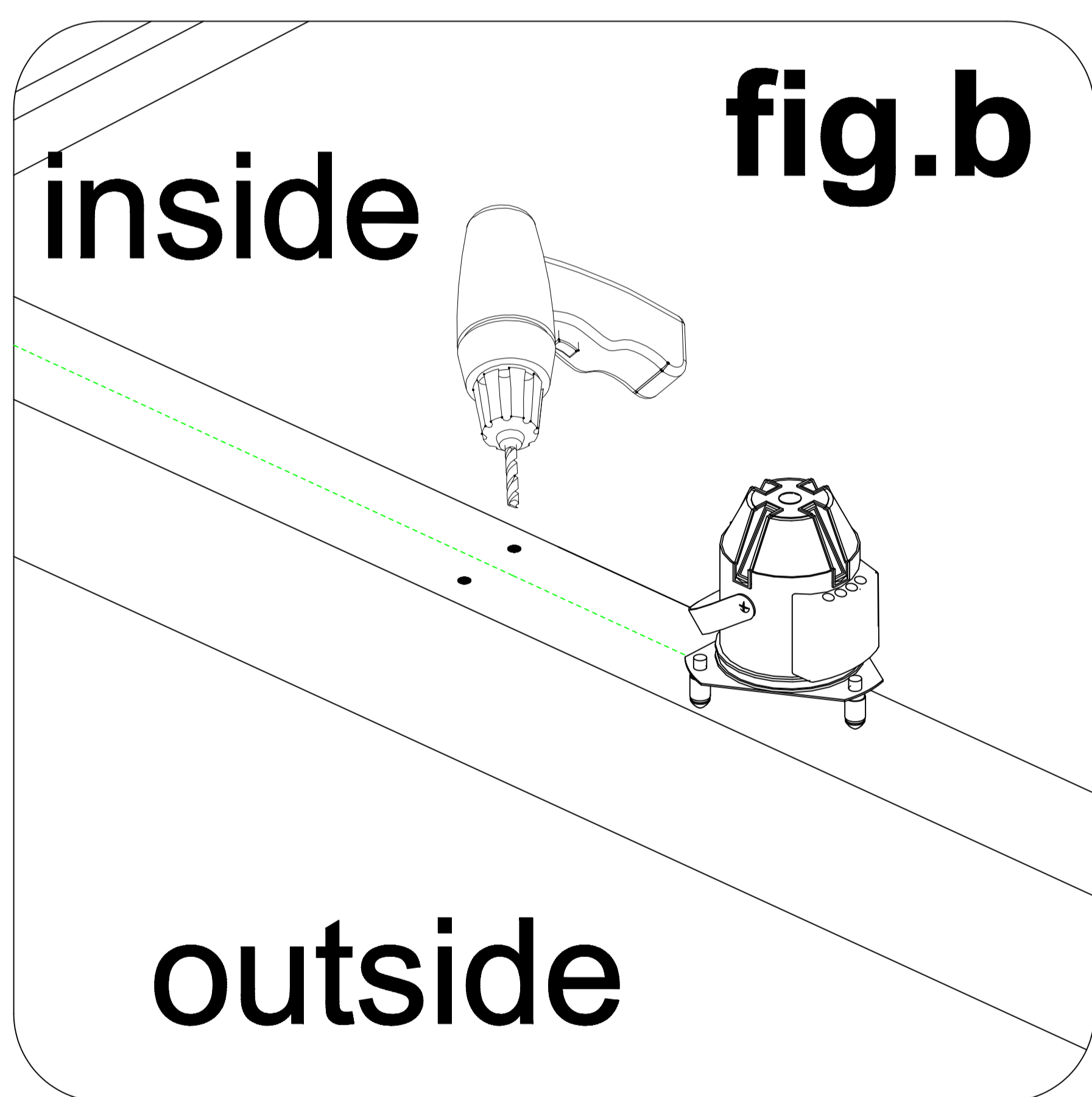
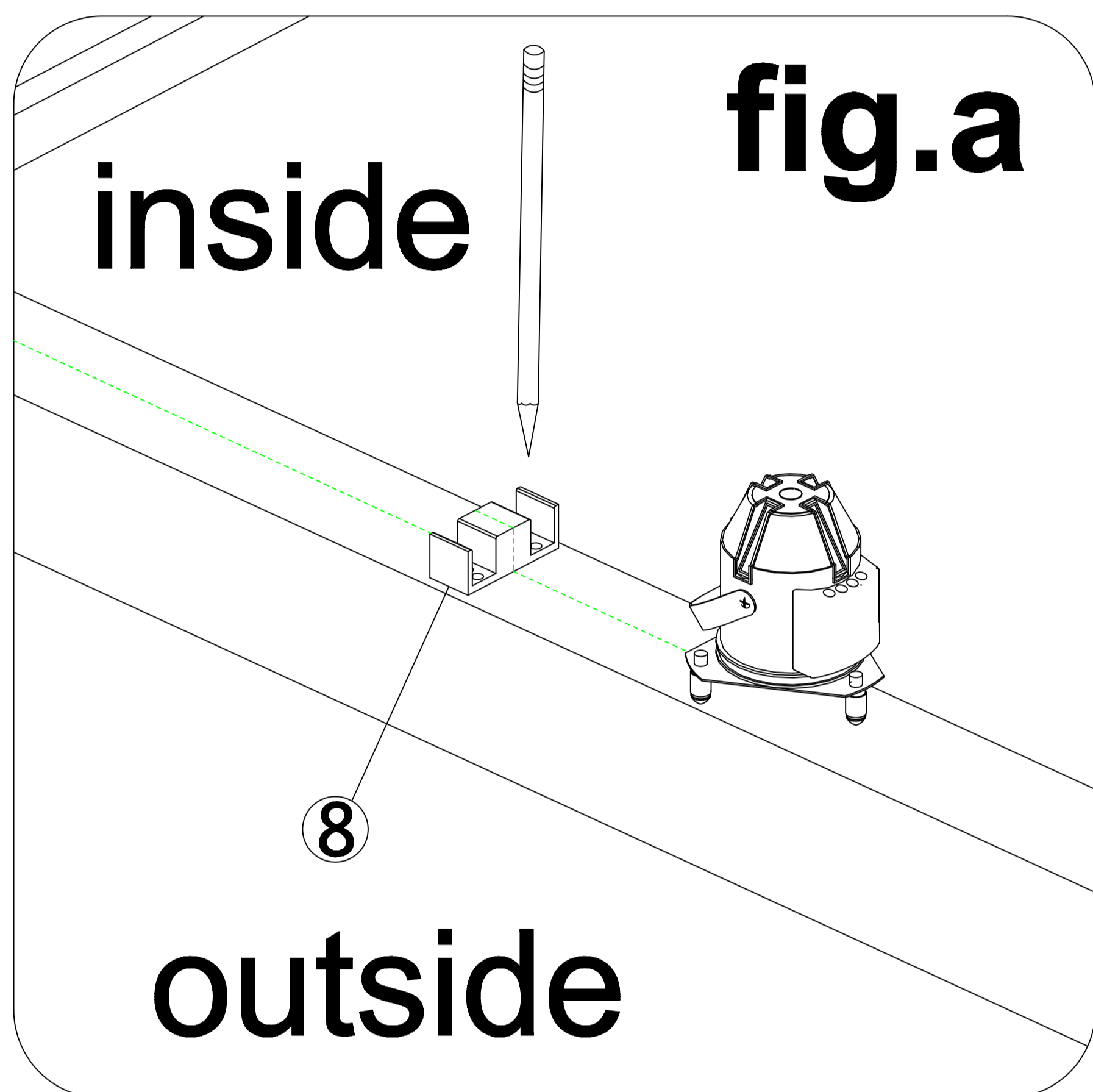
4. Make two holes at the marked position.

Guide block (8) installation and punching

STEP 3

1. Align the laser path to the center of the hole in the wall, and place the guide block (8) as shown in fig. a.
2. Mark the places to be punched with a pencil.
3. Drilled hole and inject rubber particles inside.
4. Fixed guide block .

Note: If laser level is not available, please ensure that the center of the screw hole position of the guide block (8) to the size of the outer edge the bathroom is 0.9 inches.



Note : When using the laser level, ensure the laser path is on the centre point of the guide block (8) and the wall hole position.

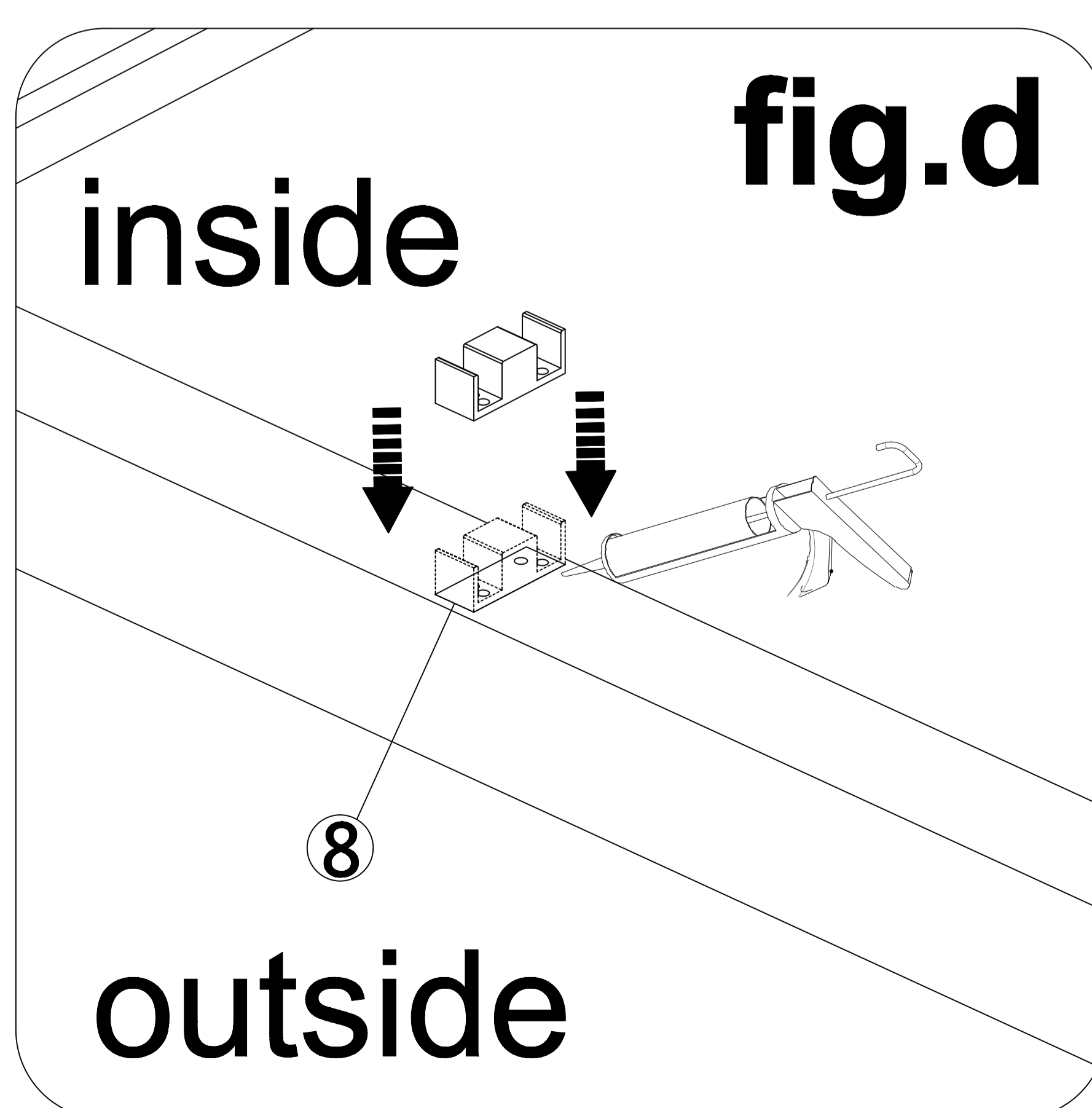
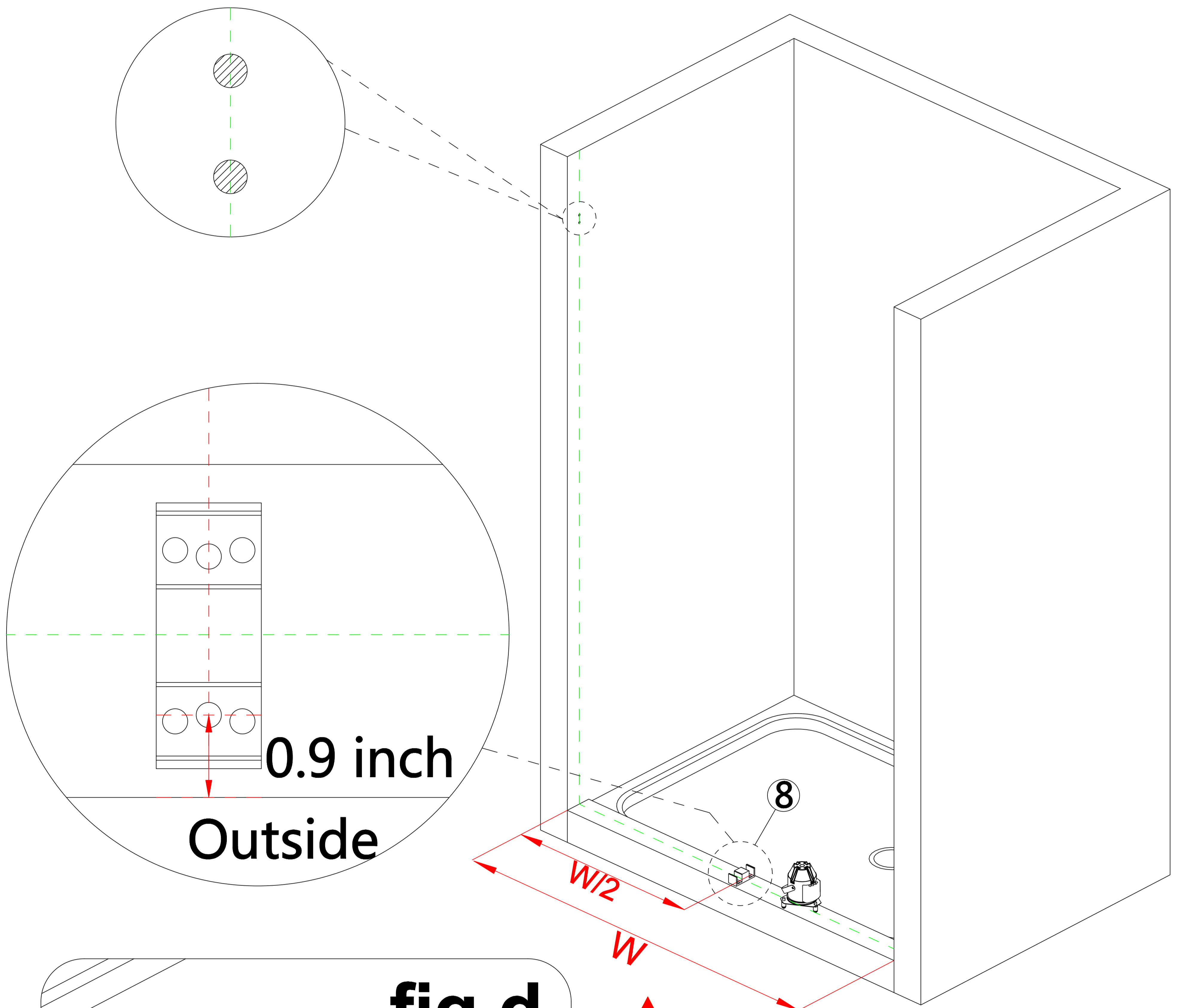
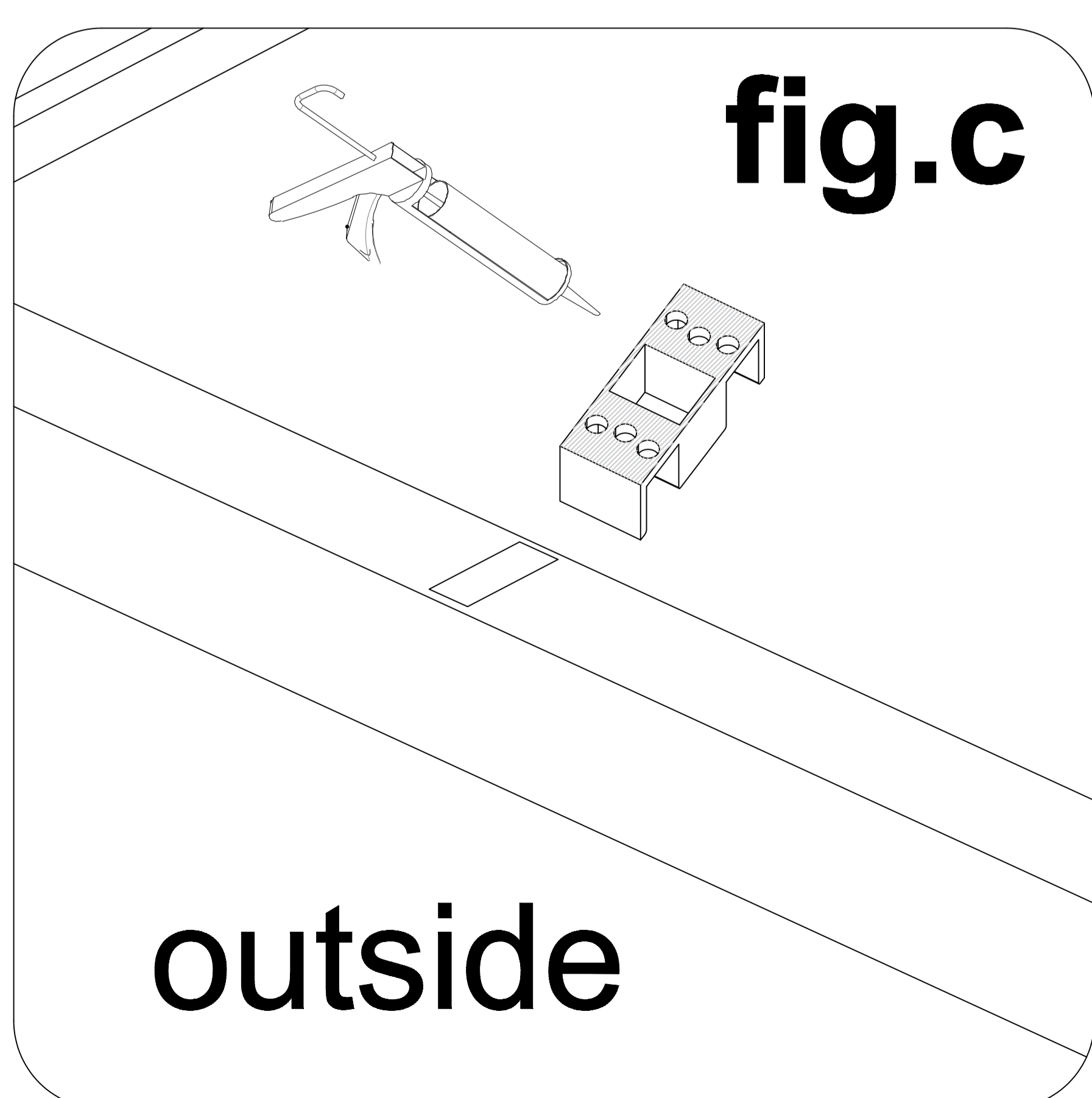
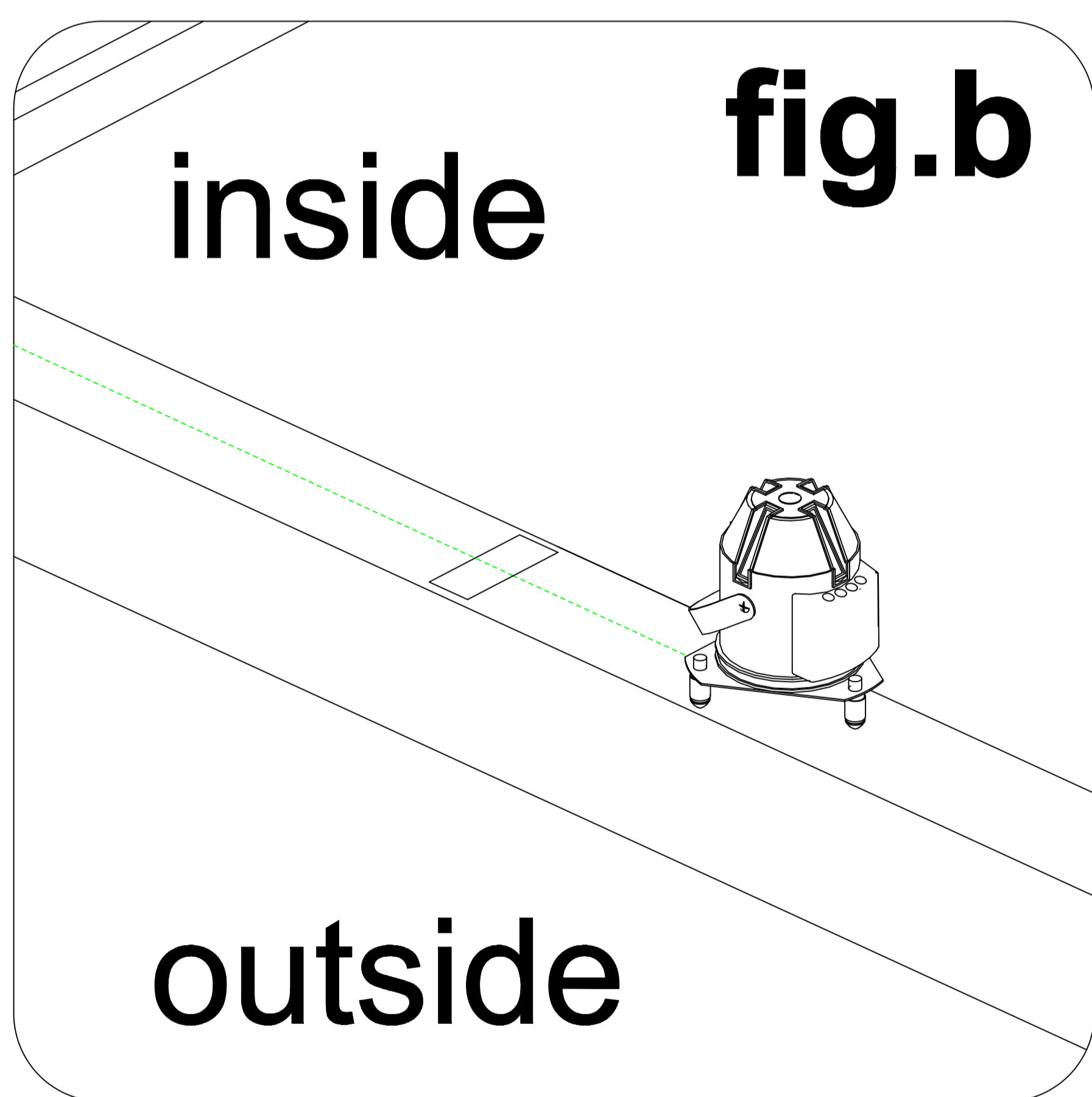
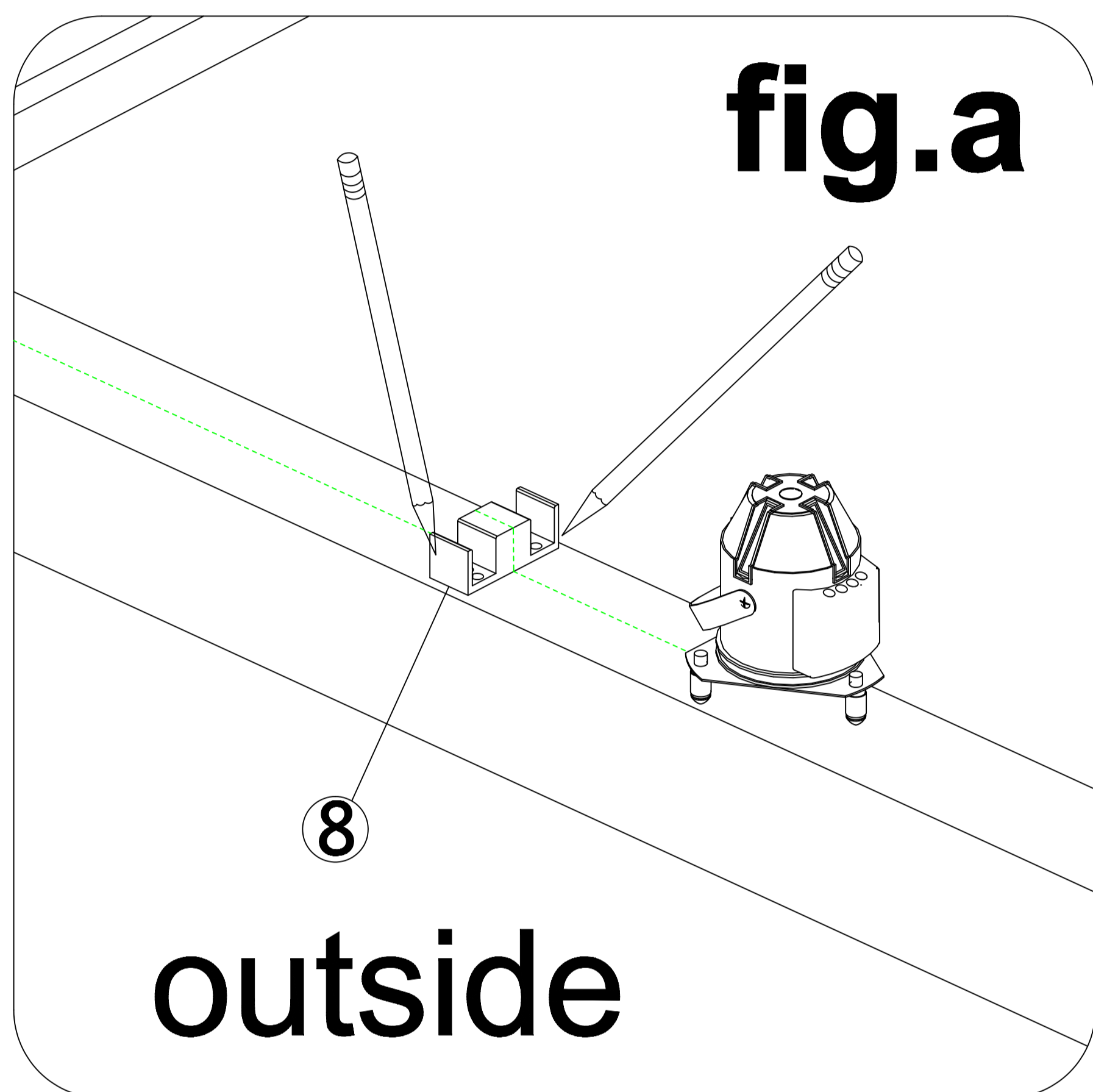
Guide block (8) is installed without hole

STEP 3.1

1. Align the laser path to the center of the hole in the wall, and place the guide block (8) as shown in fig. a.
2. Mark the places to be punched with a pencil.
3. Apply glass gule to the bottom of the guide block (8).
4. Fixed guide block.



Note: If laser level is not available, please ensure that the center of the screw hole position of the guide block (8) to the size of the outer edge the bathroom is 0.9 inches.

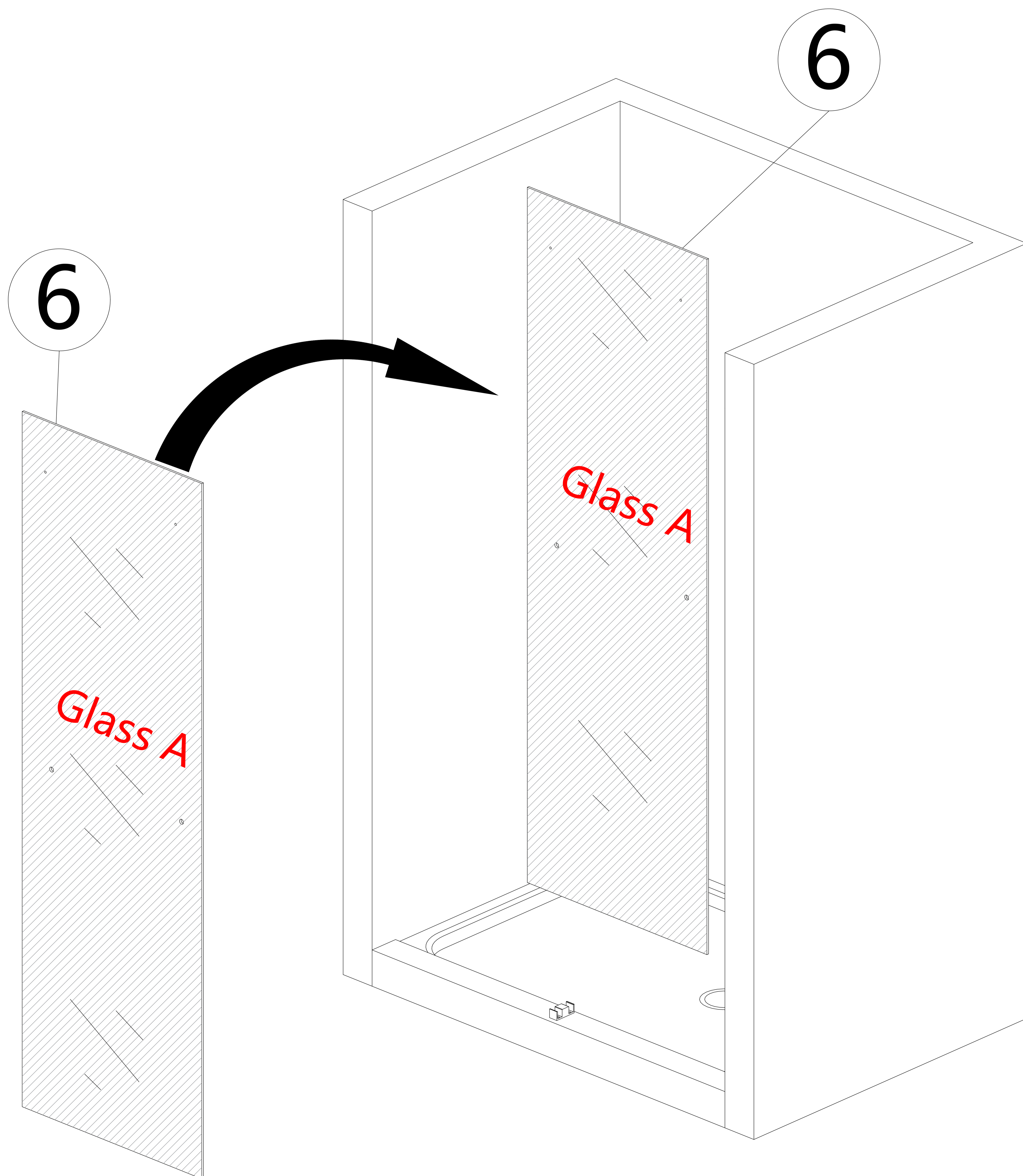


Note : When using the laser level, ensure the laser path is on the centre point of the guide block (8) and the wall hole position.

Pull rod wall connector (11) Installation prerequisites

STEP 4

1. Firstly, move one of the active panels (6) into the shower area, so that when the other active panel (6) is installed later, does not occupy the entrance position, and also does not cause unnecessary damage when moving the active panel (6).



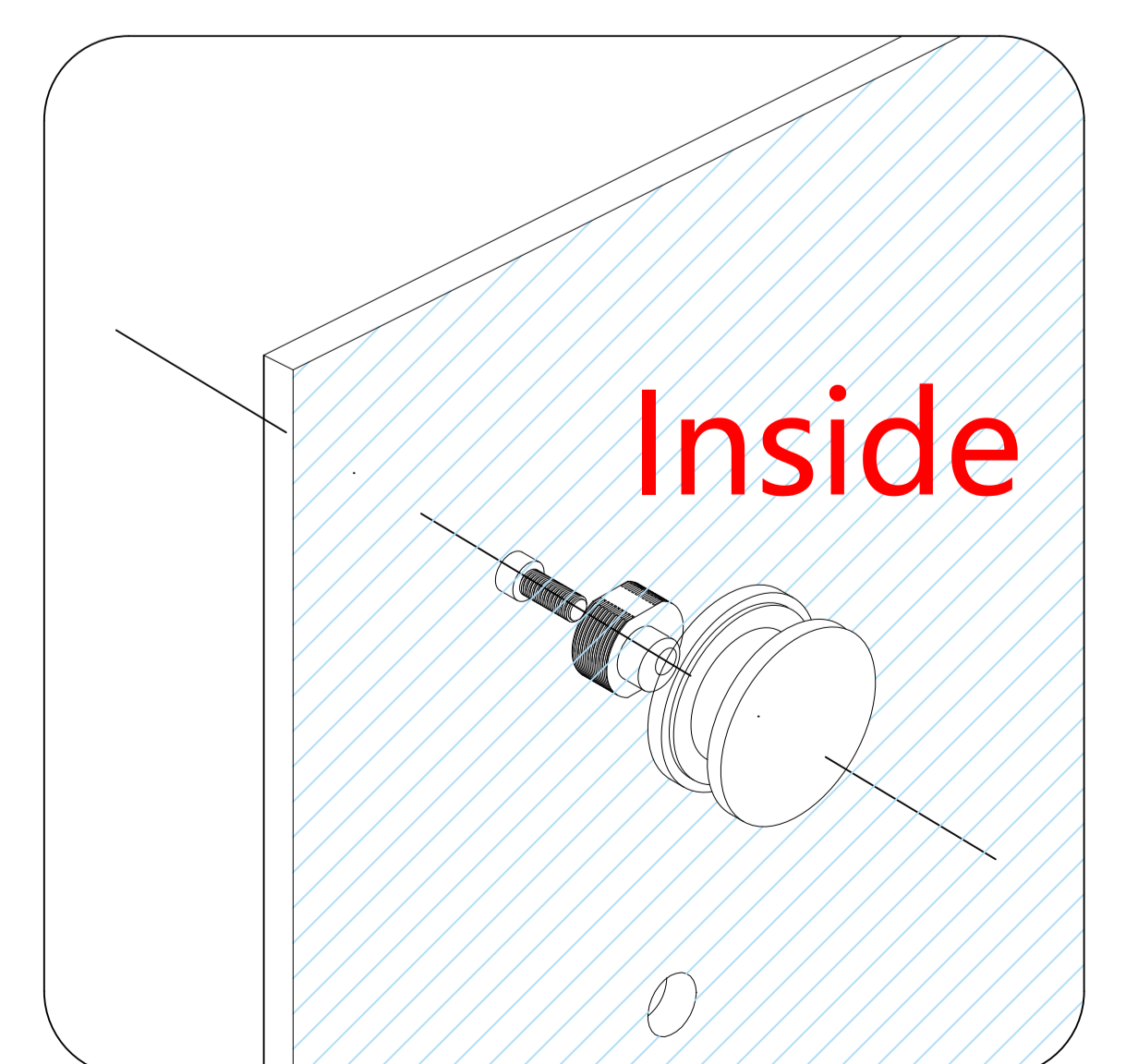
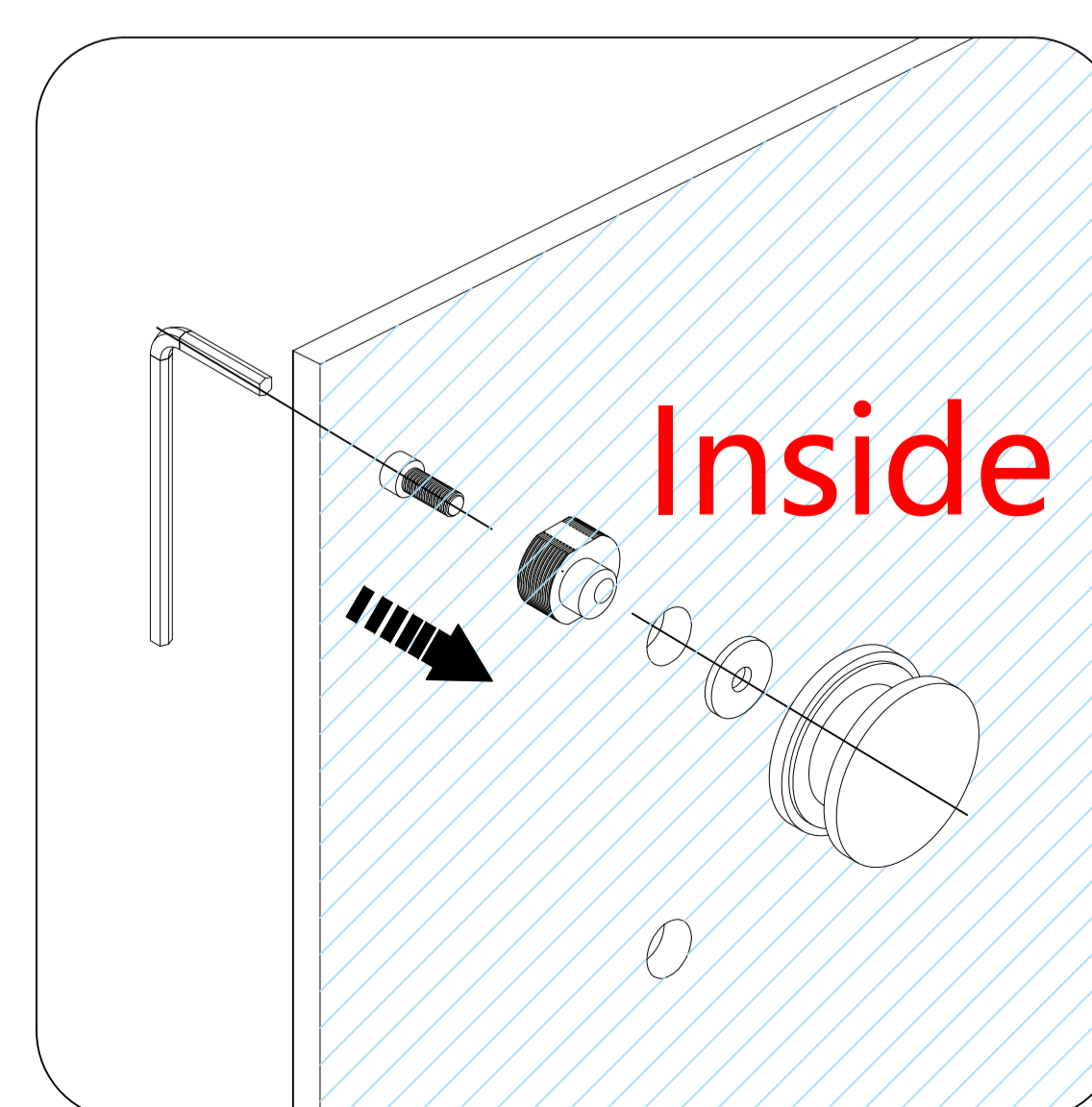
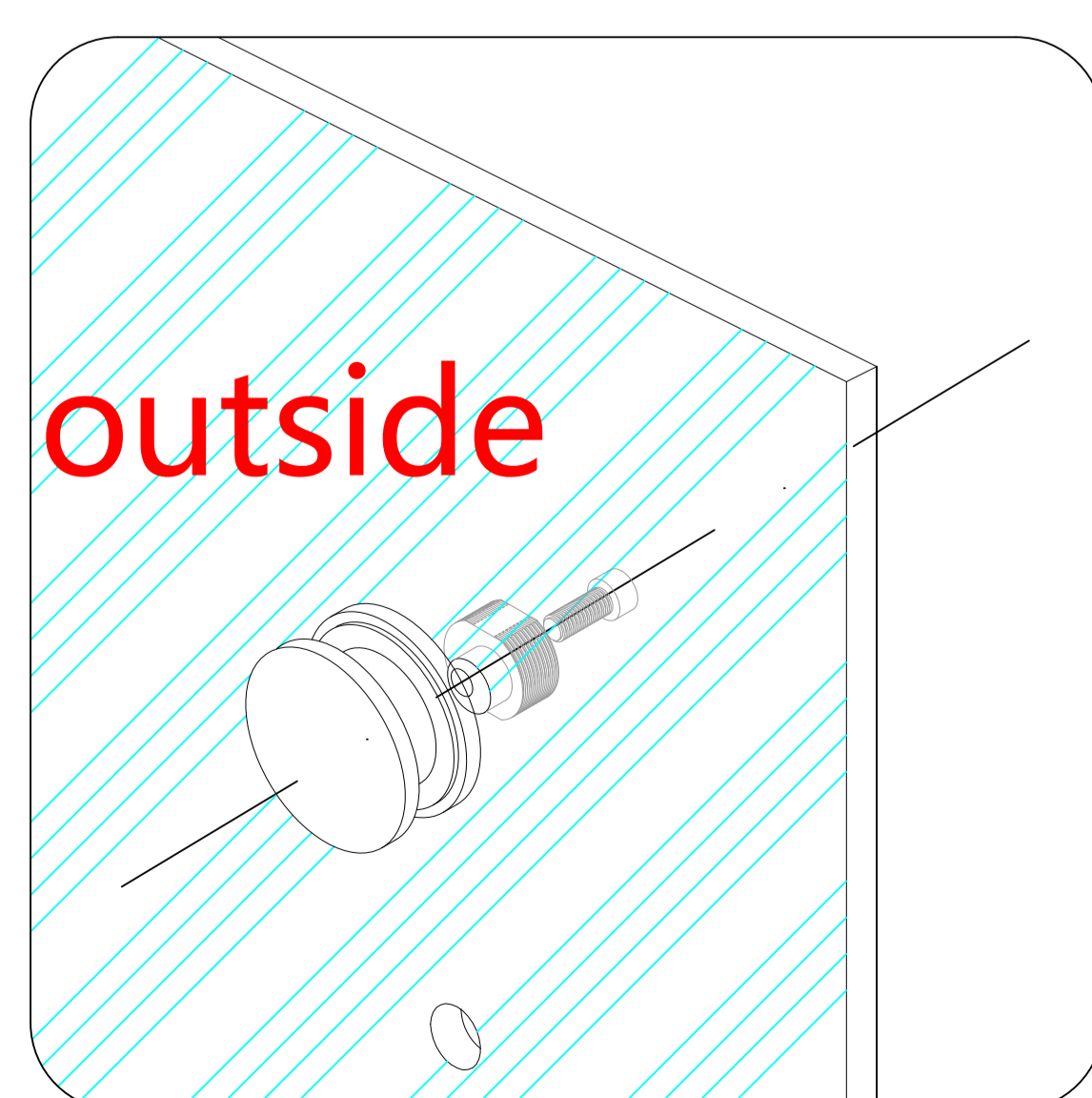
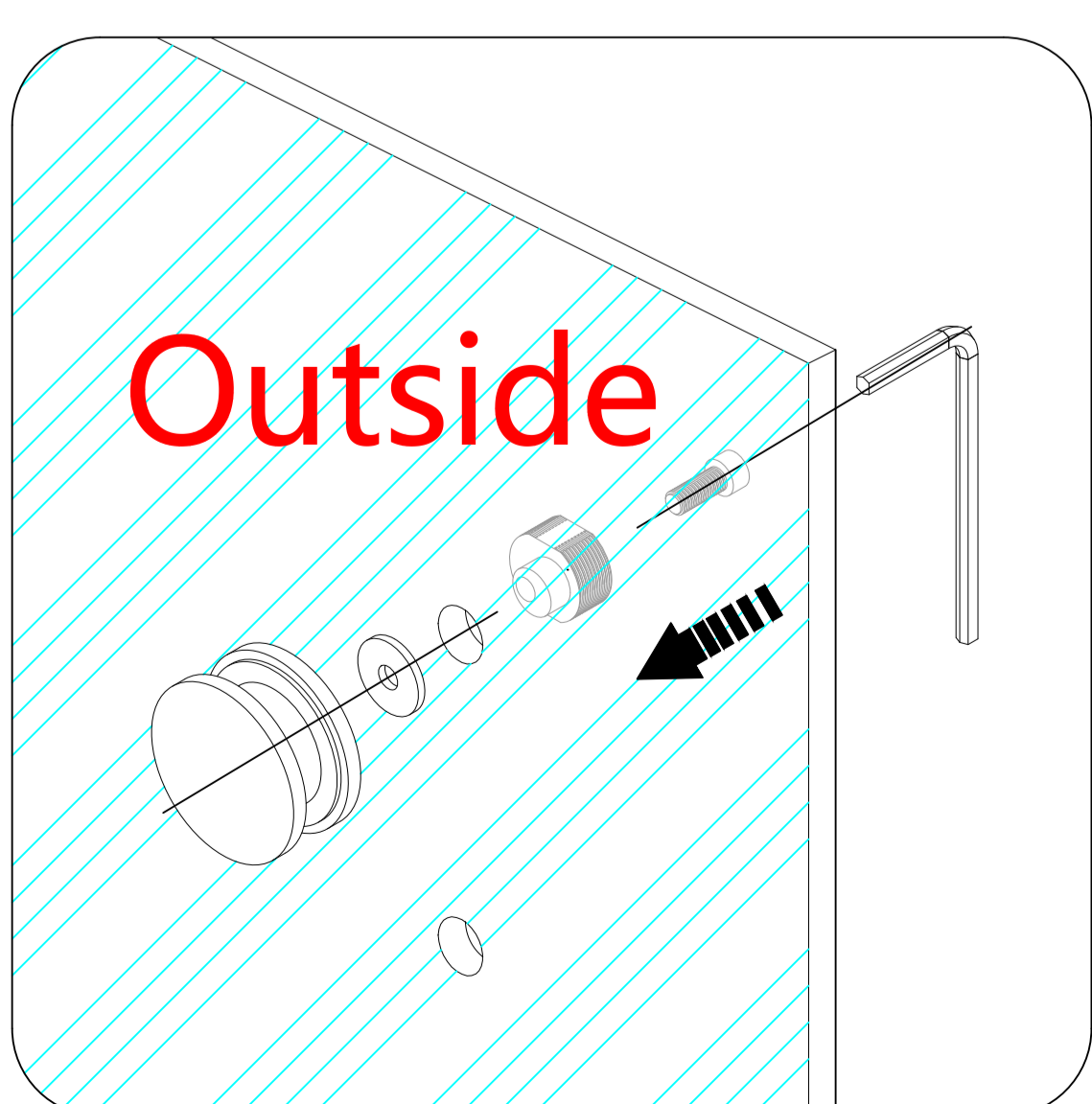
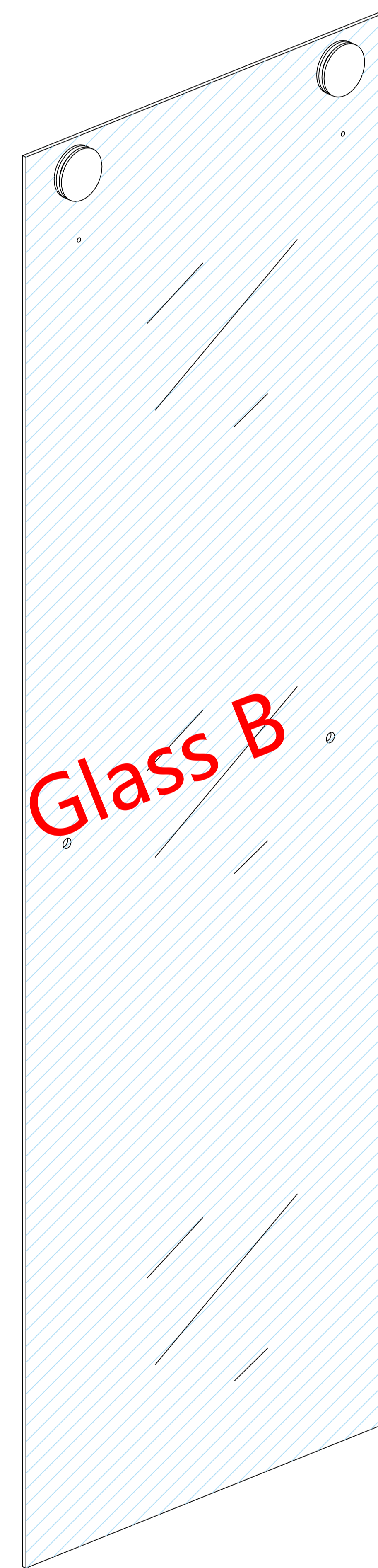
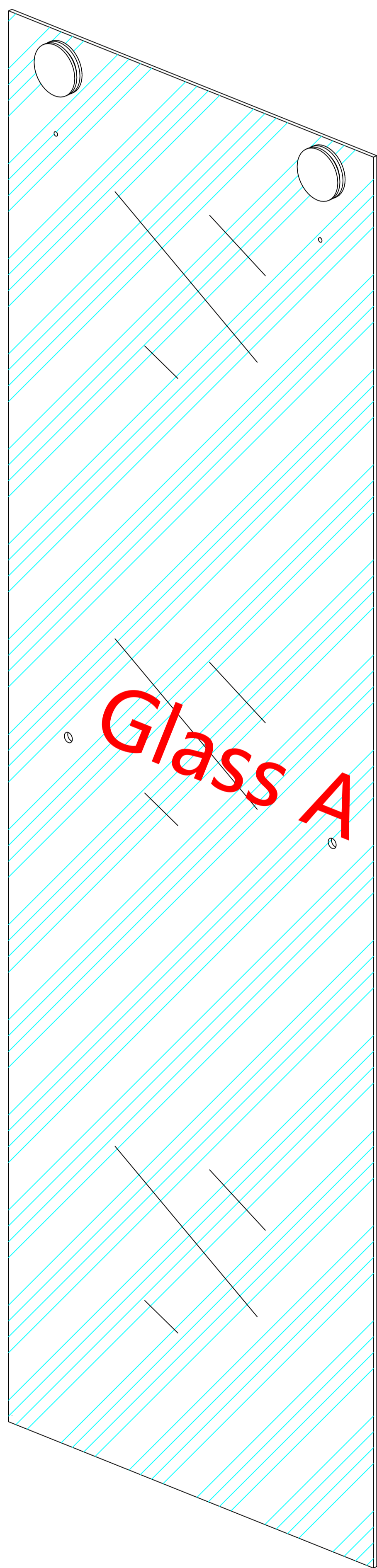
roller (4) Installation

STEP 5

When installing the roller (4), pay attention to the position of the roller (4).

In front, glass A has been moved into the shower area so the position of the roller (4) of glass A is towards the outside of the shower area;

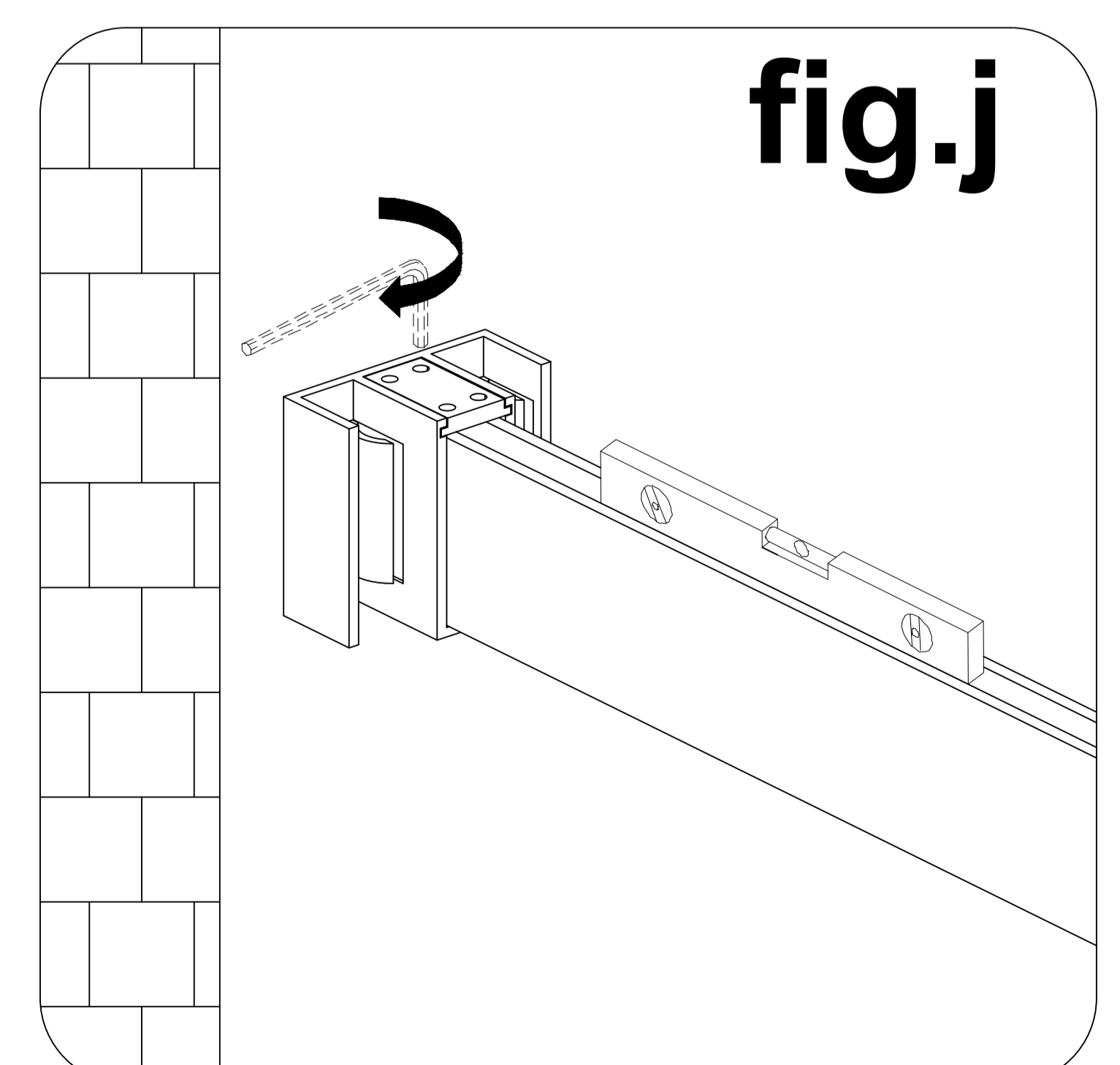
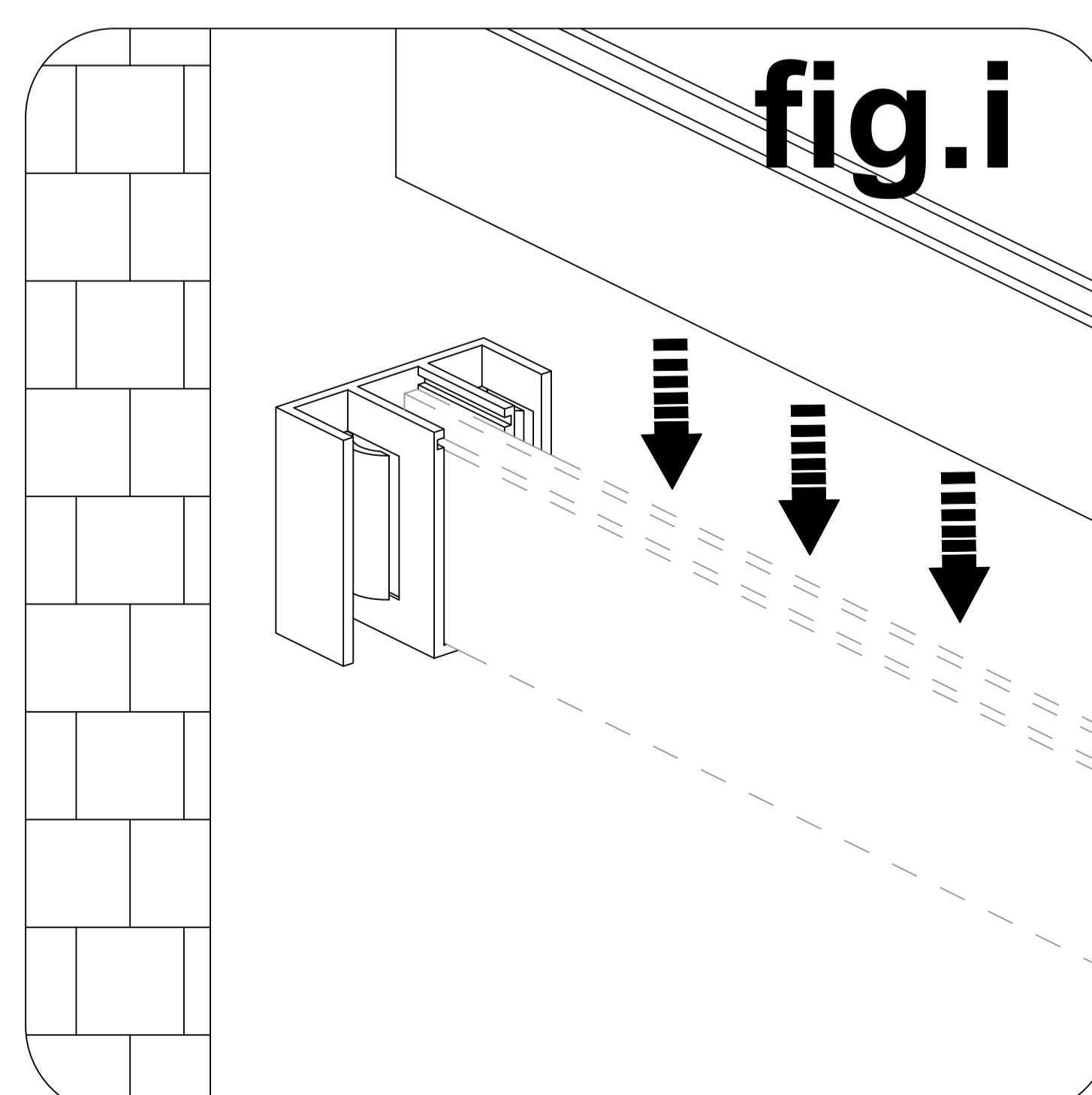
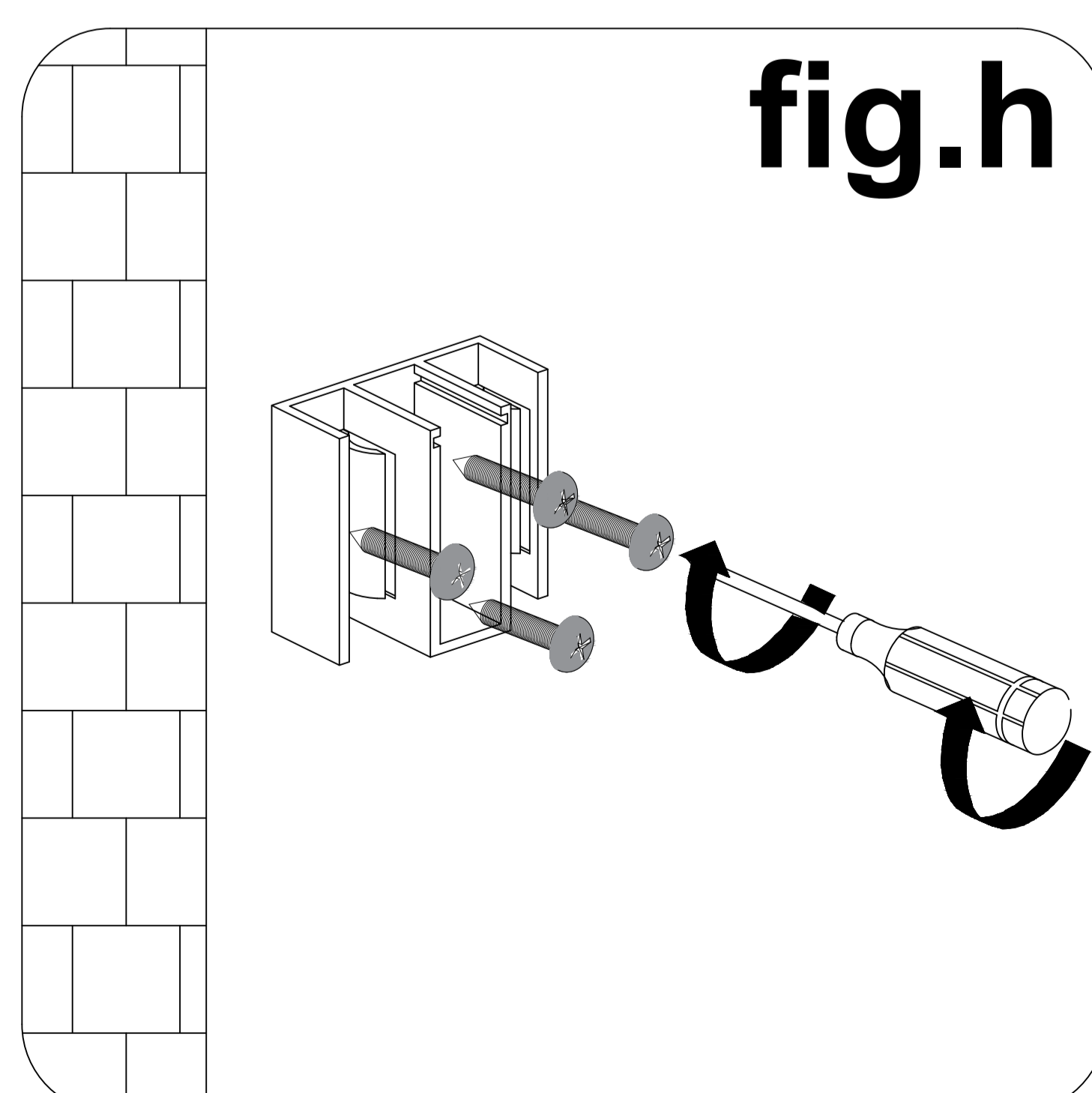
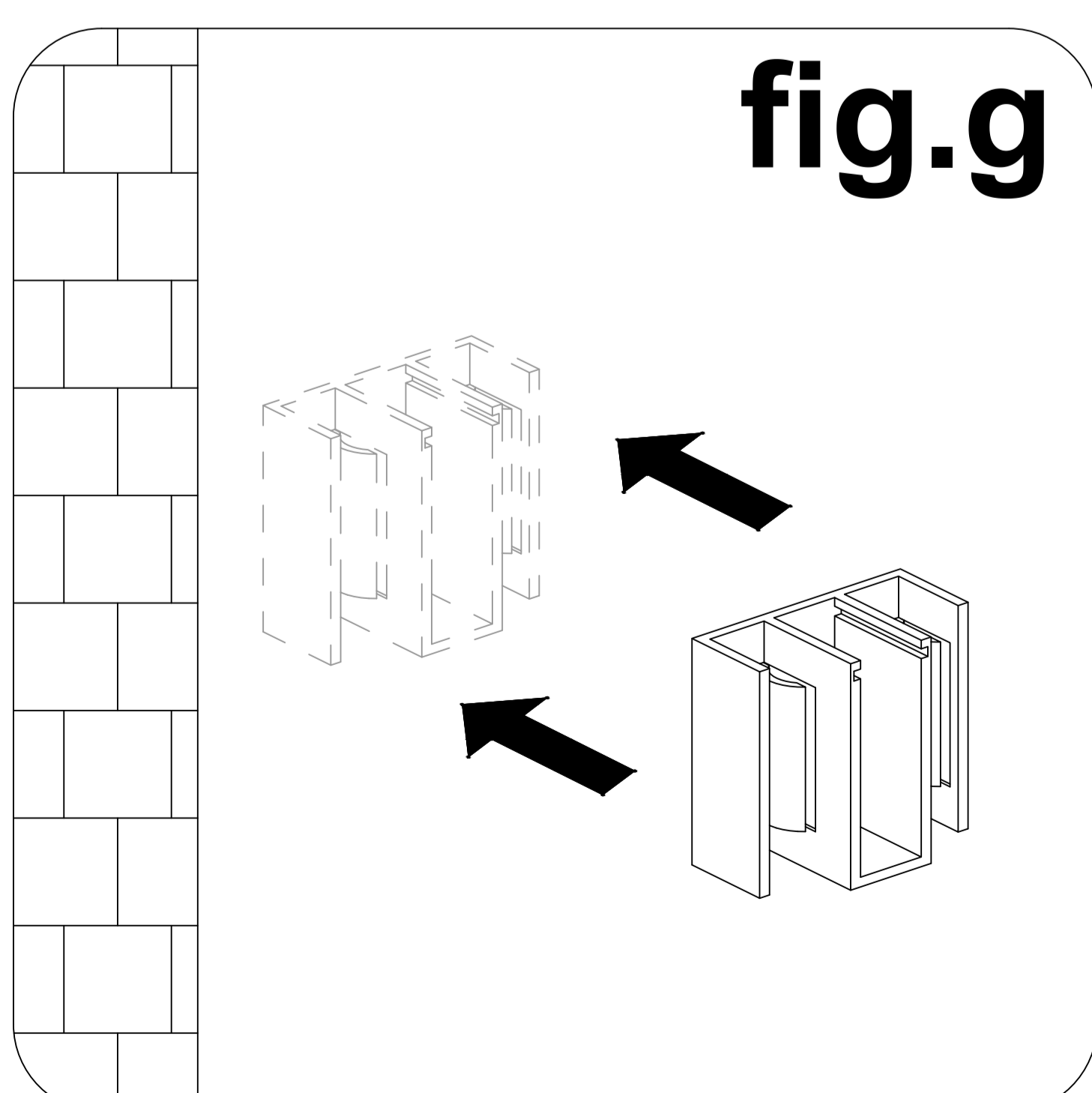
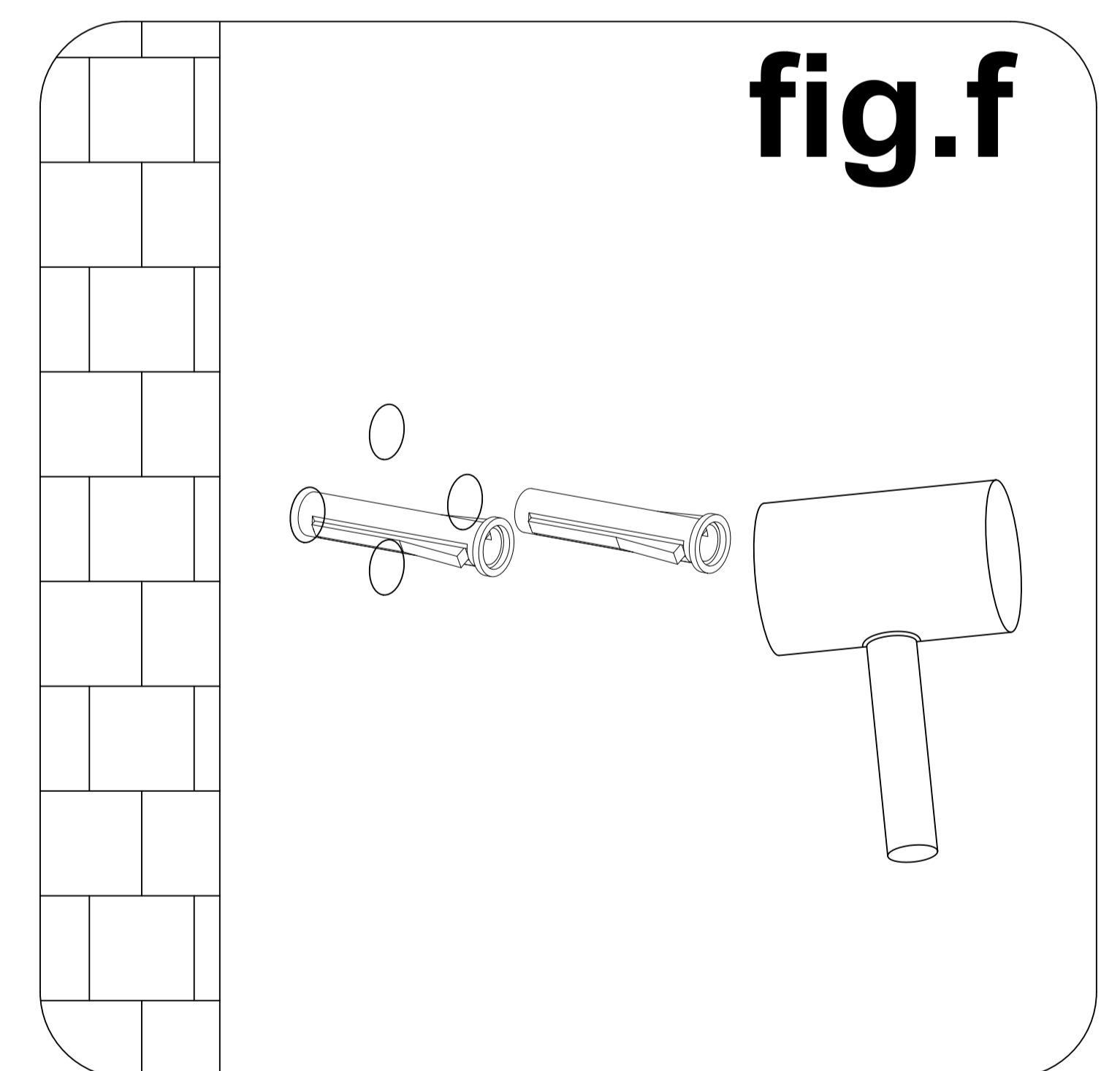
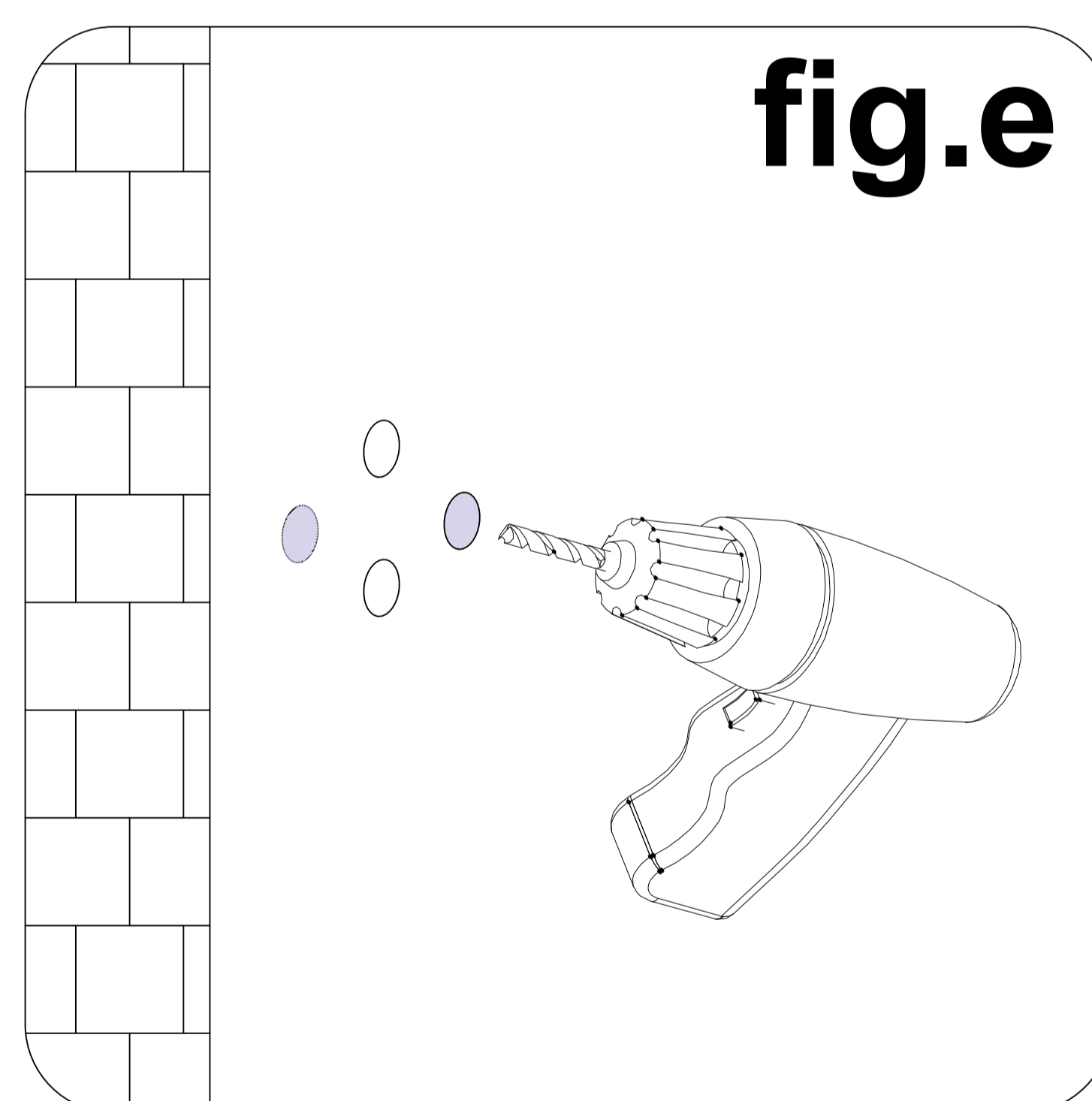
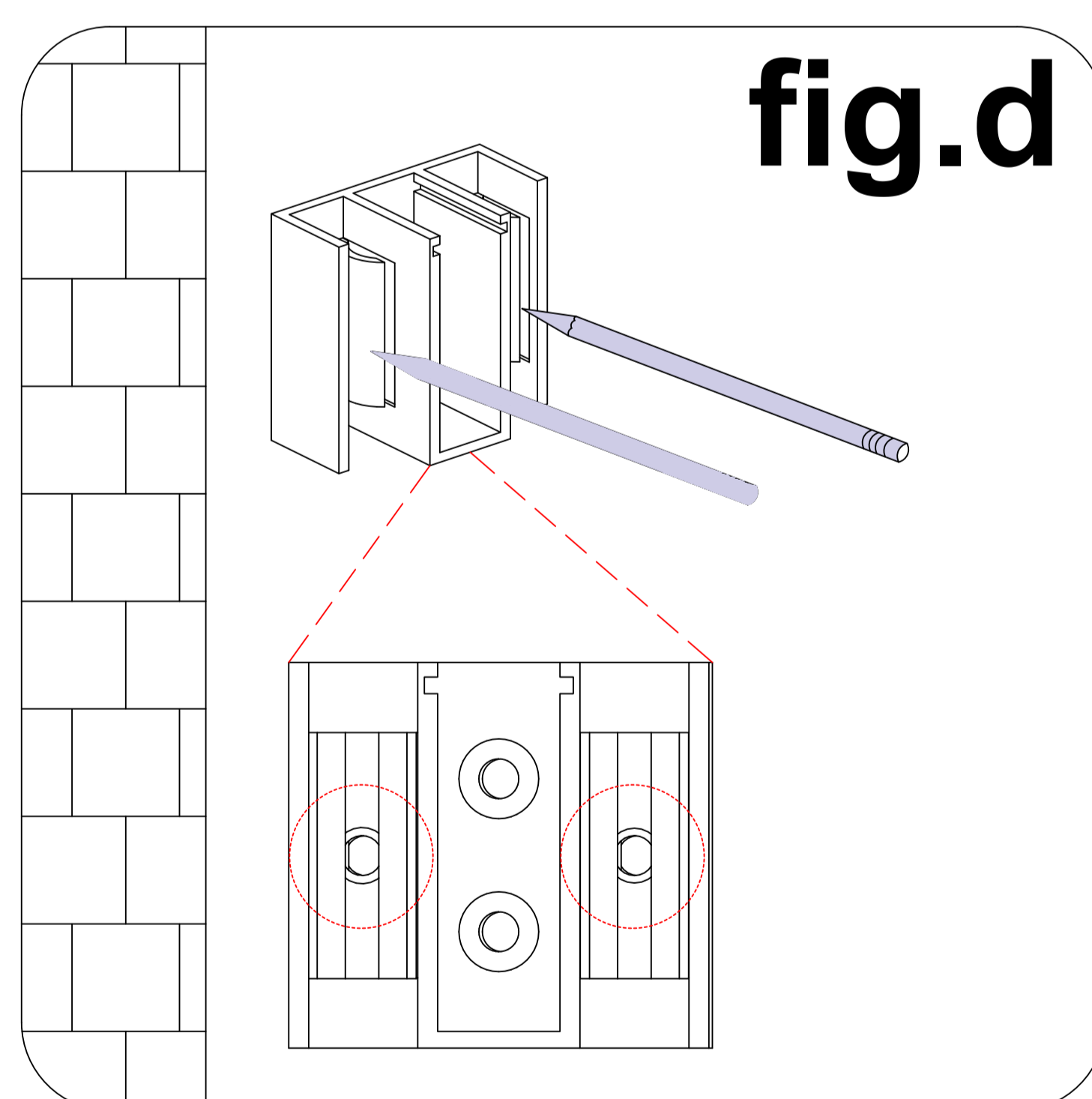
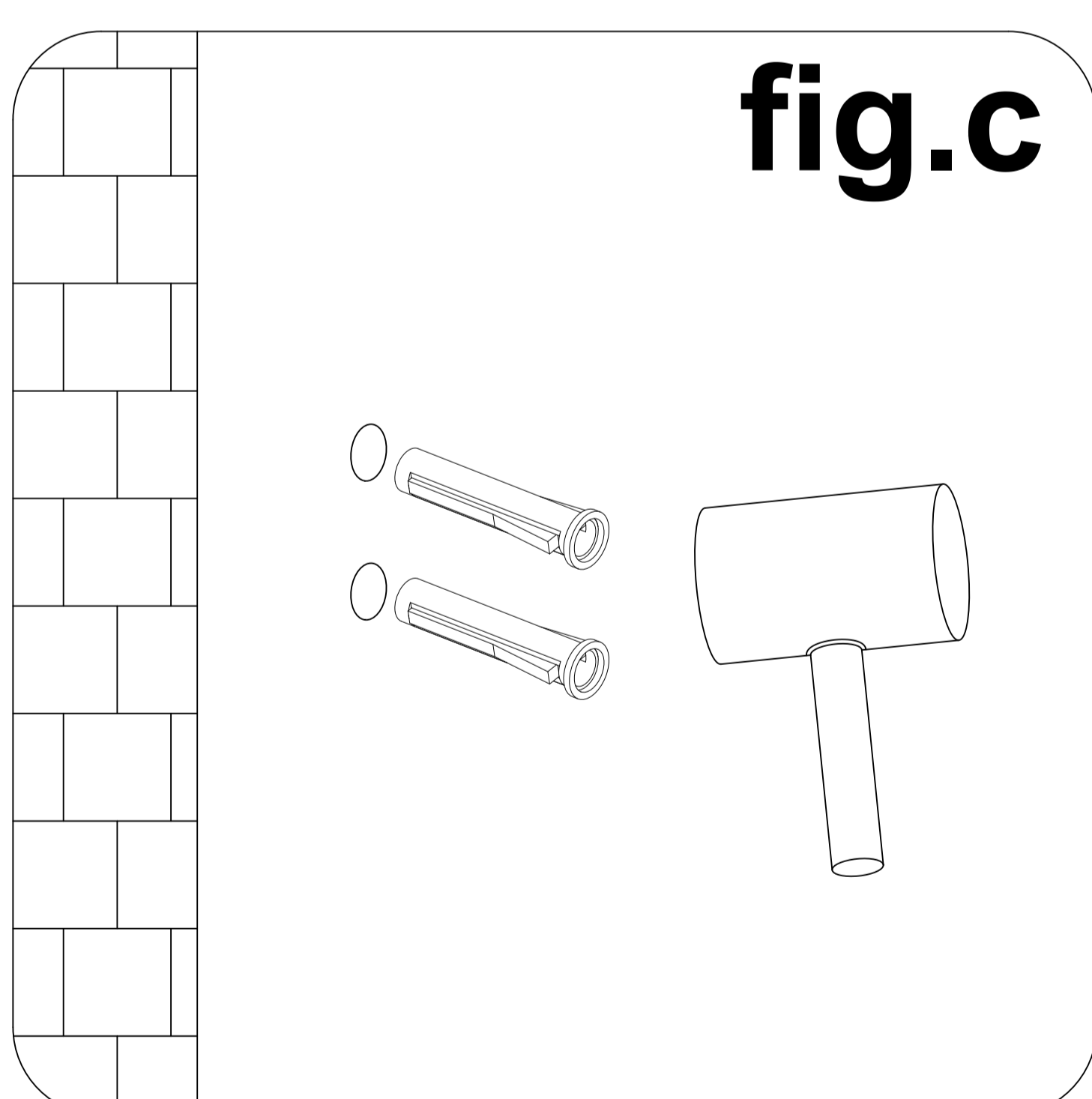
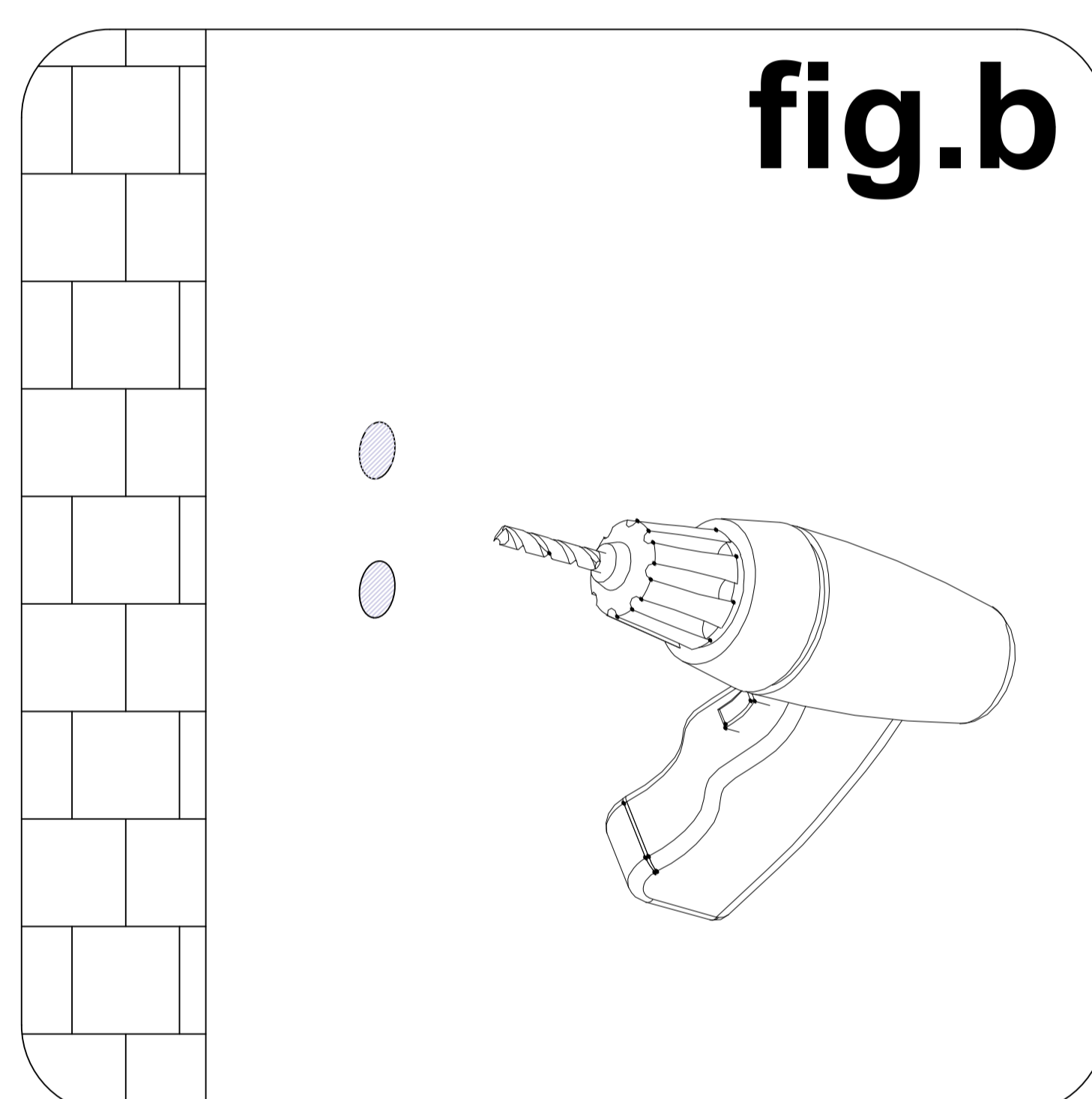
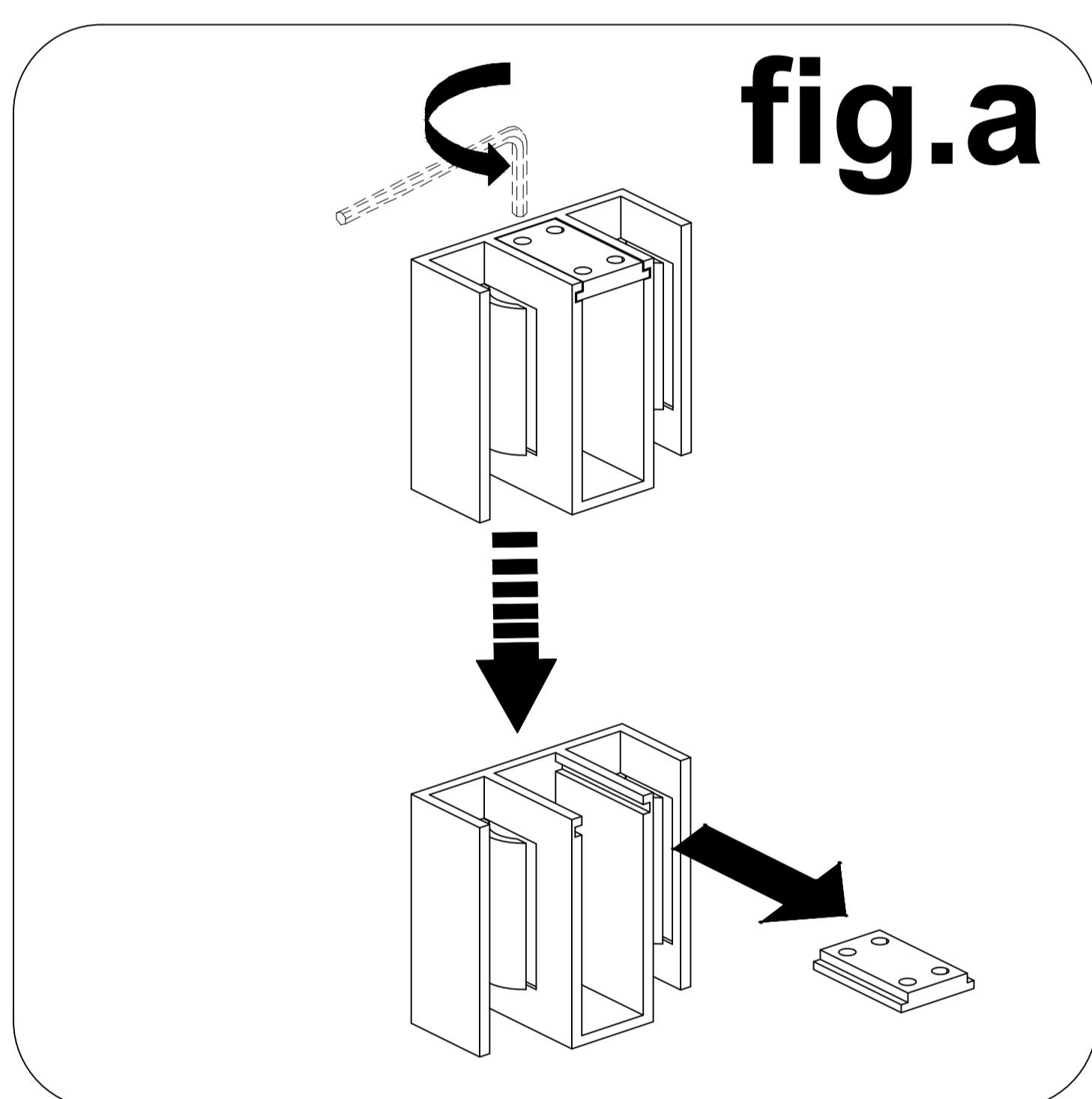
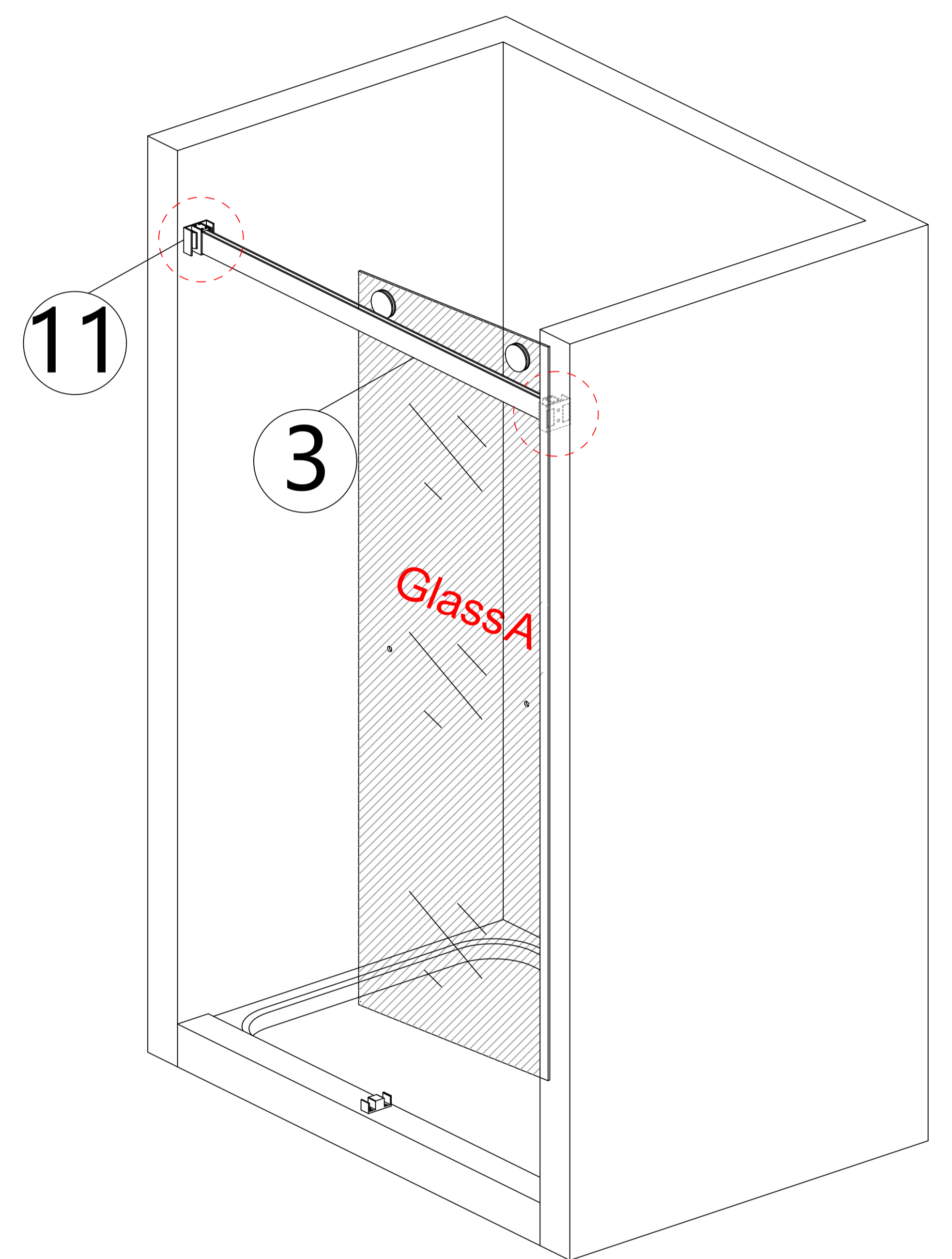
While glass B is placed outside the shower area, so the position of the roller (4) of glass B is towards the inside of the shower area.



pull rod wall connector (11) and top rail (3) installation

STEP 6

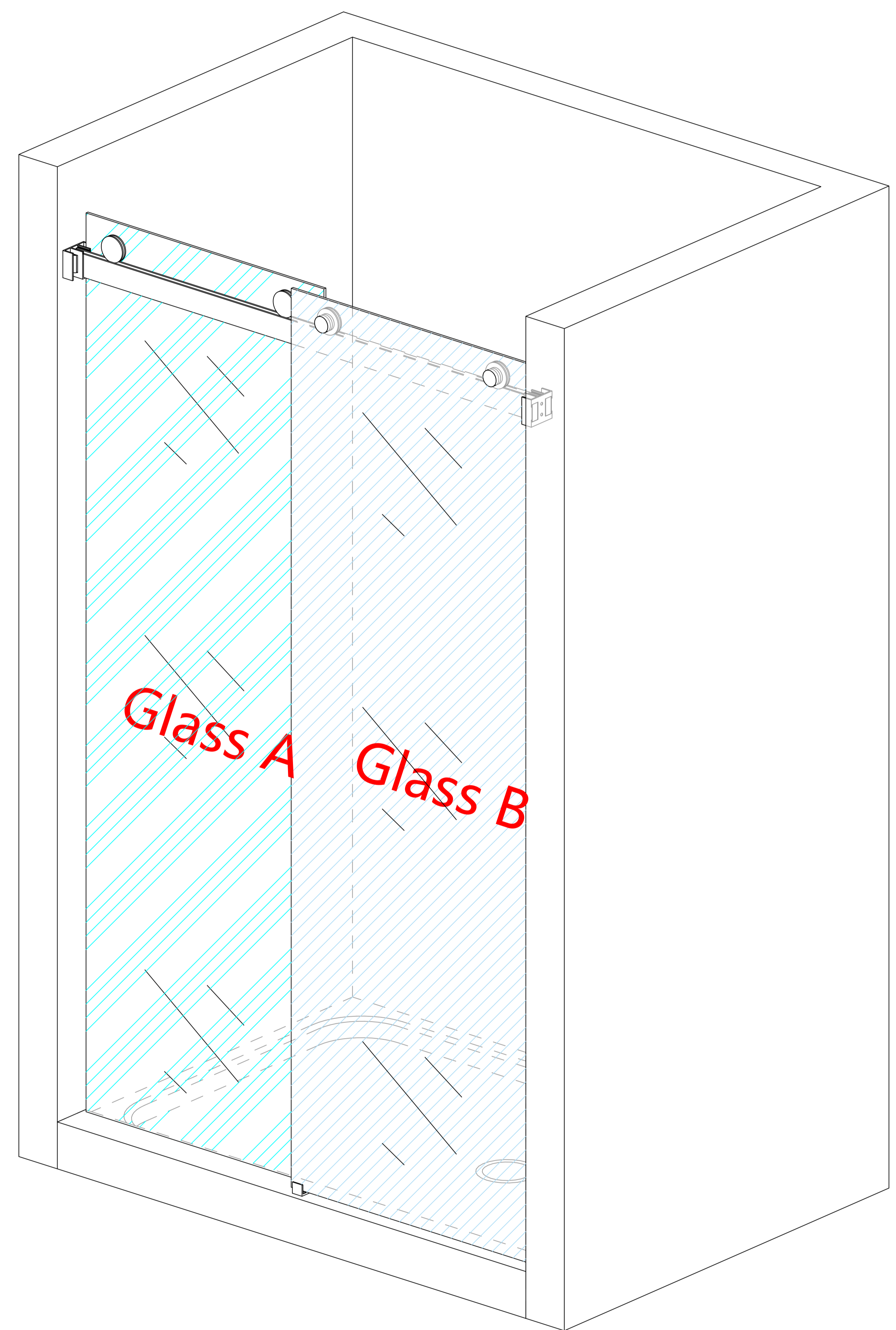
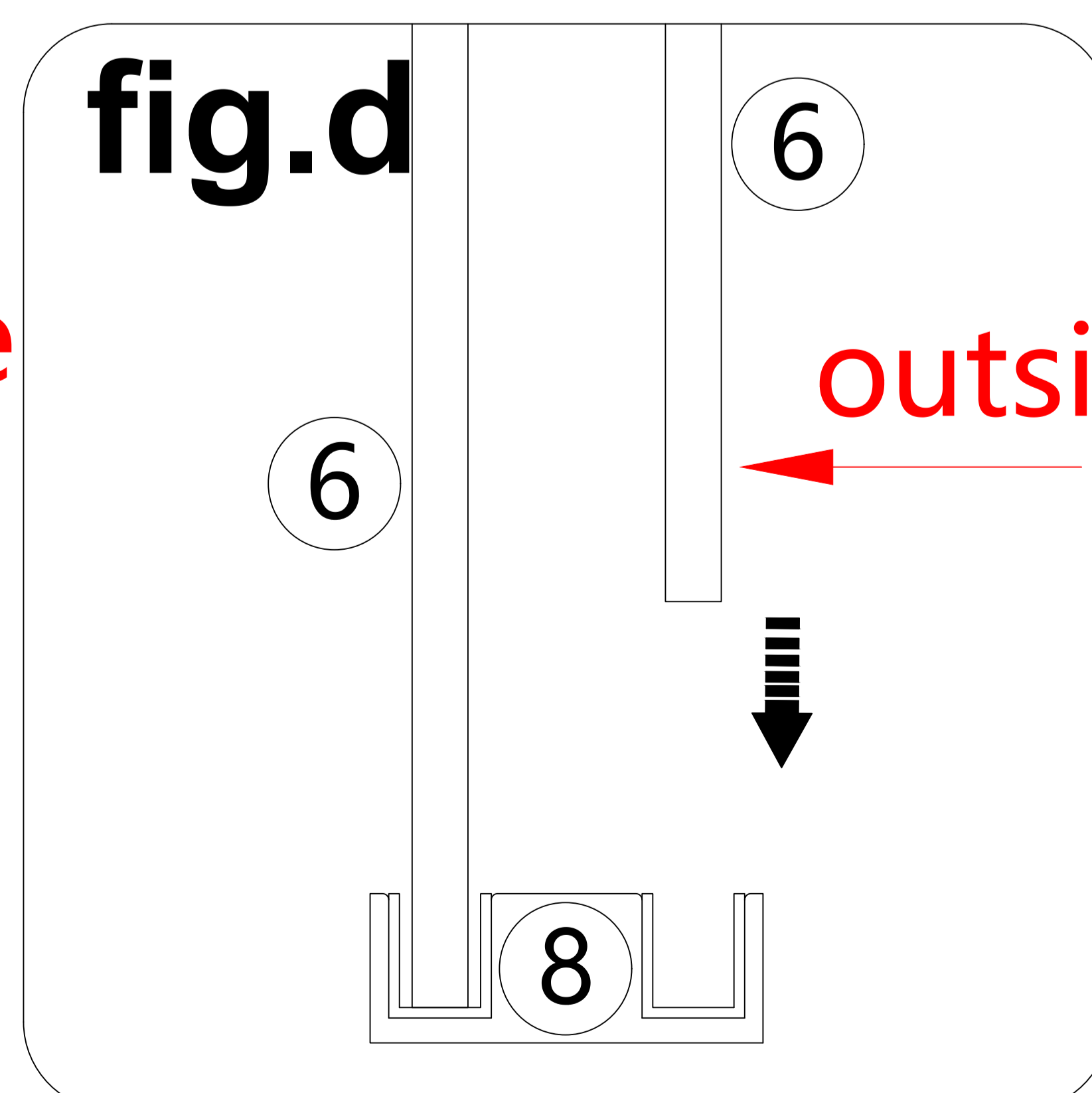
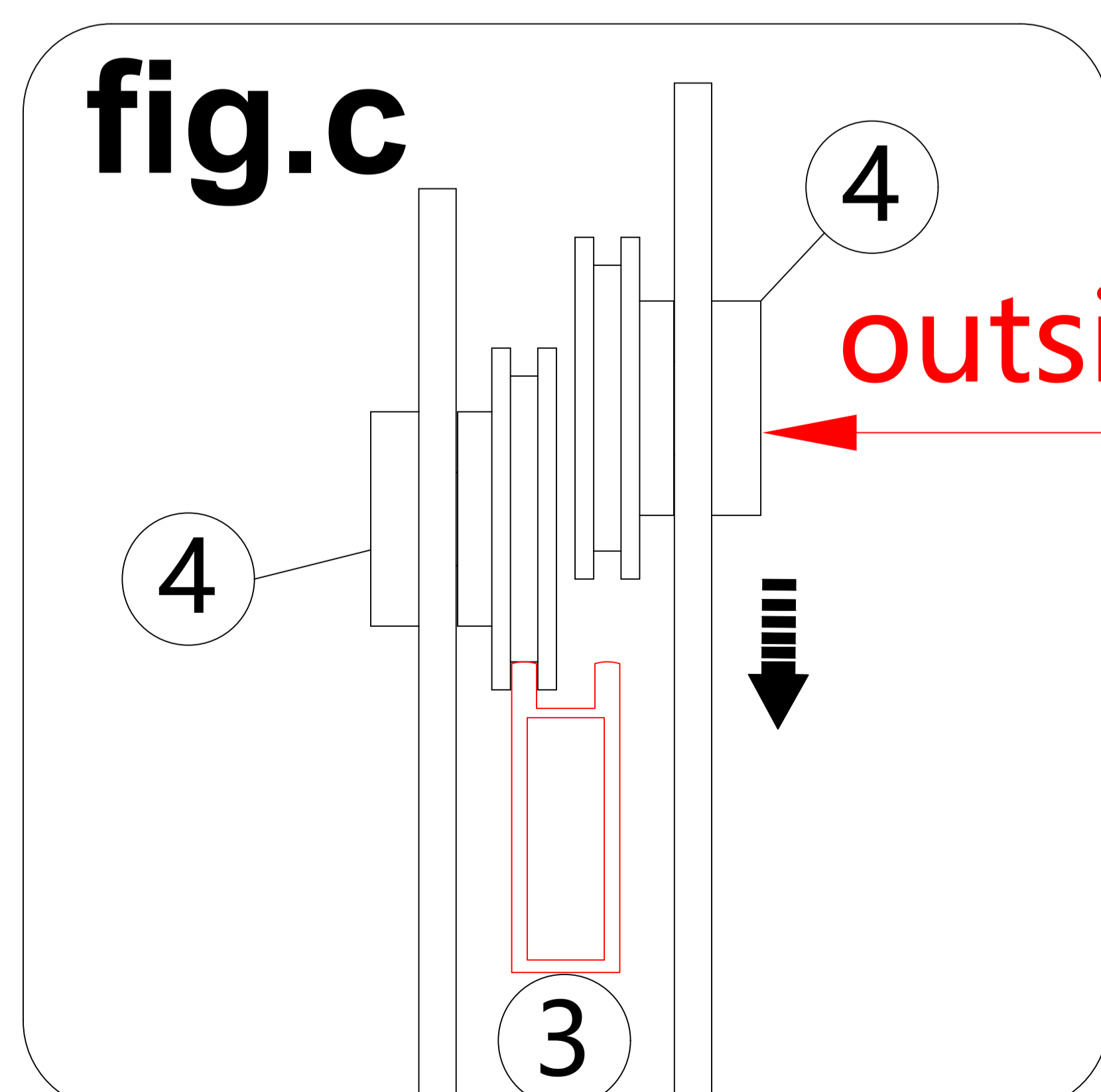
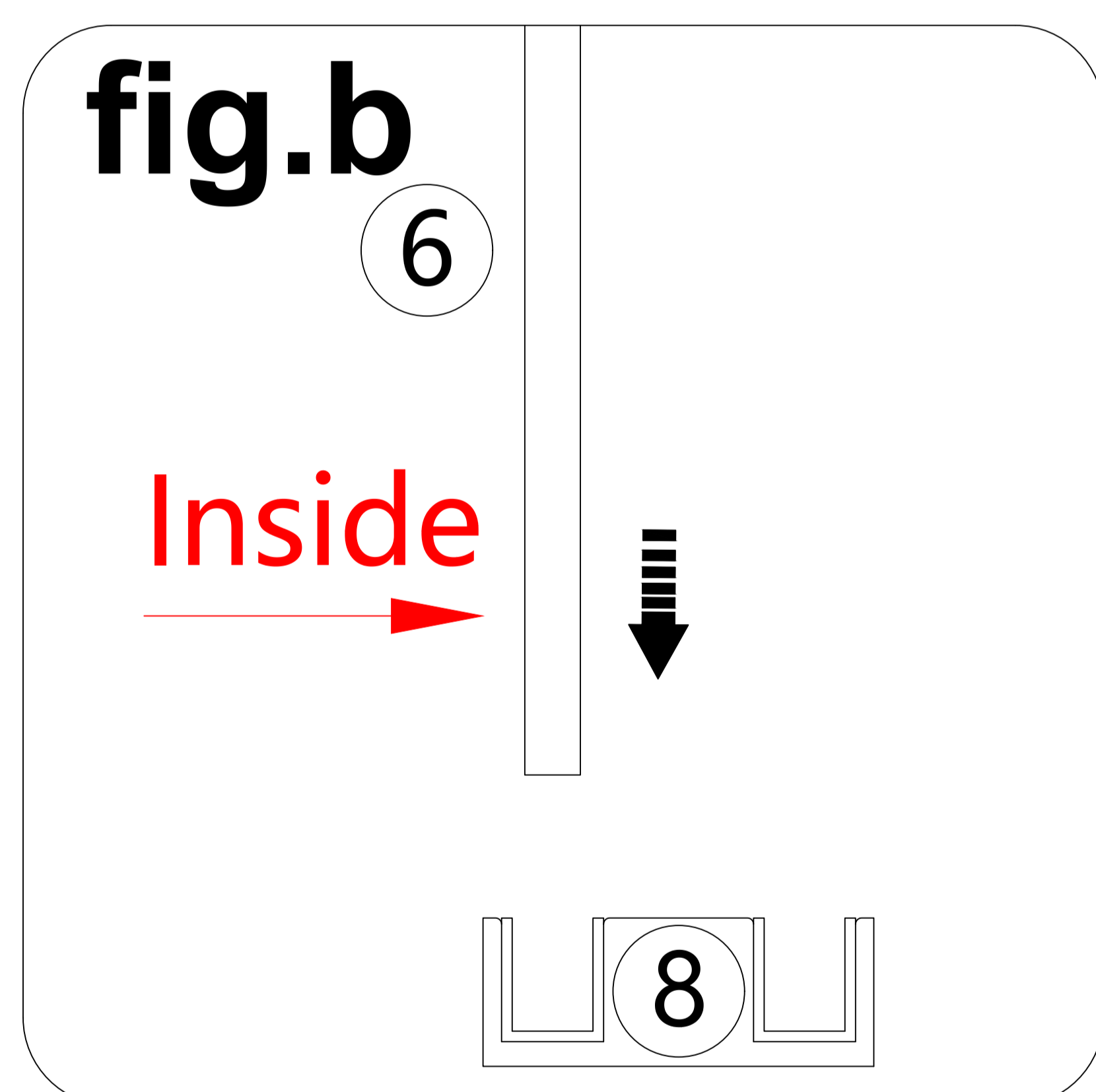
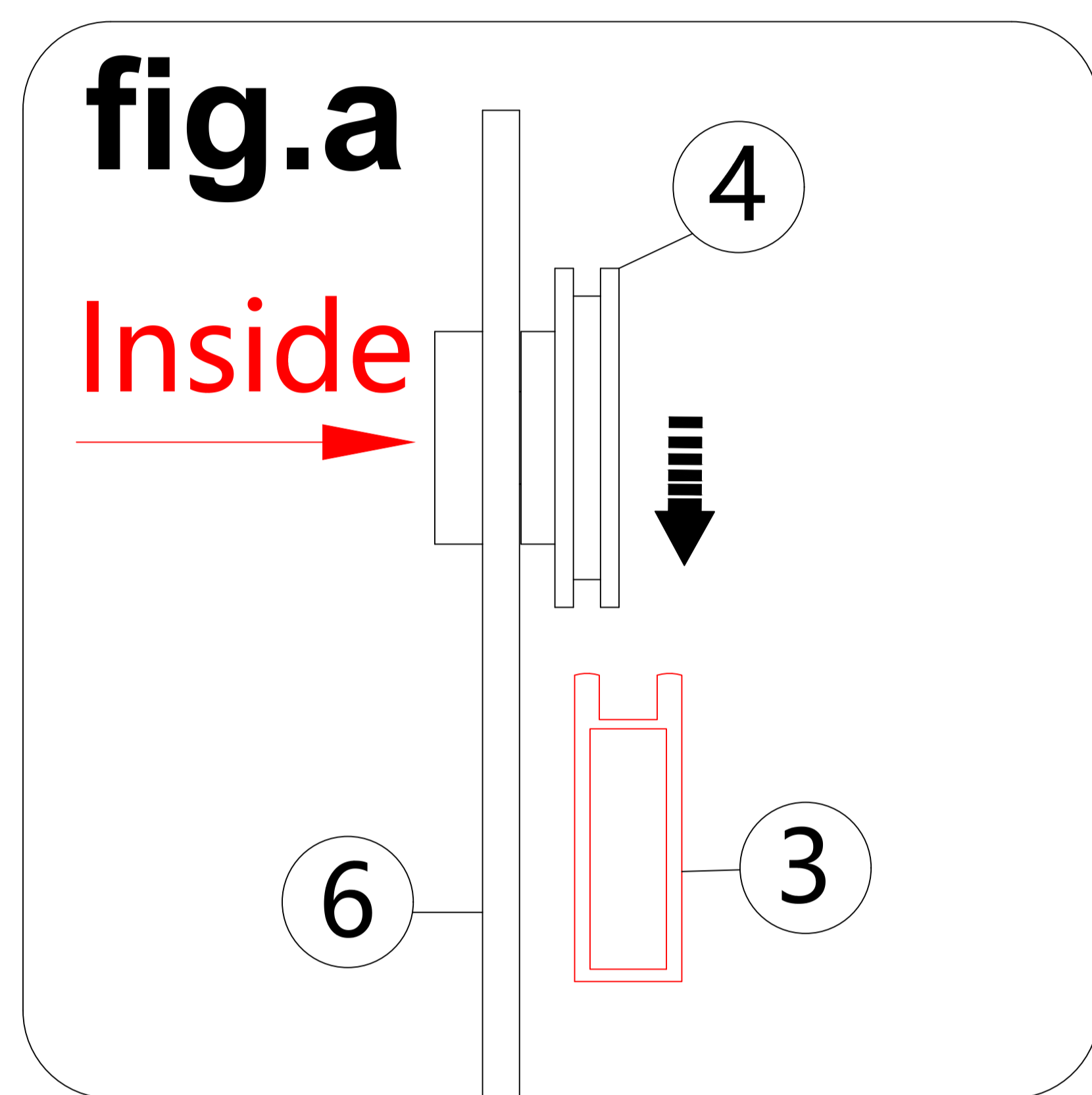
1. Drilled two holes on the wall.
2. Hammer the rubber particles into the punched holes.
3. Fixed pull rod wall connector on the wall.
4. Clip the top rail (3) into the pull rod wall connector (11) and tighten it with Allen key.



Active panel (6) Installation

STEP 7

Note: It is recommended to install the inner shower door first.

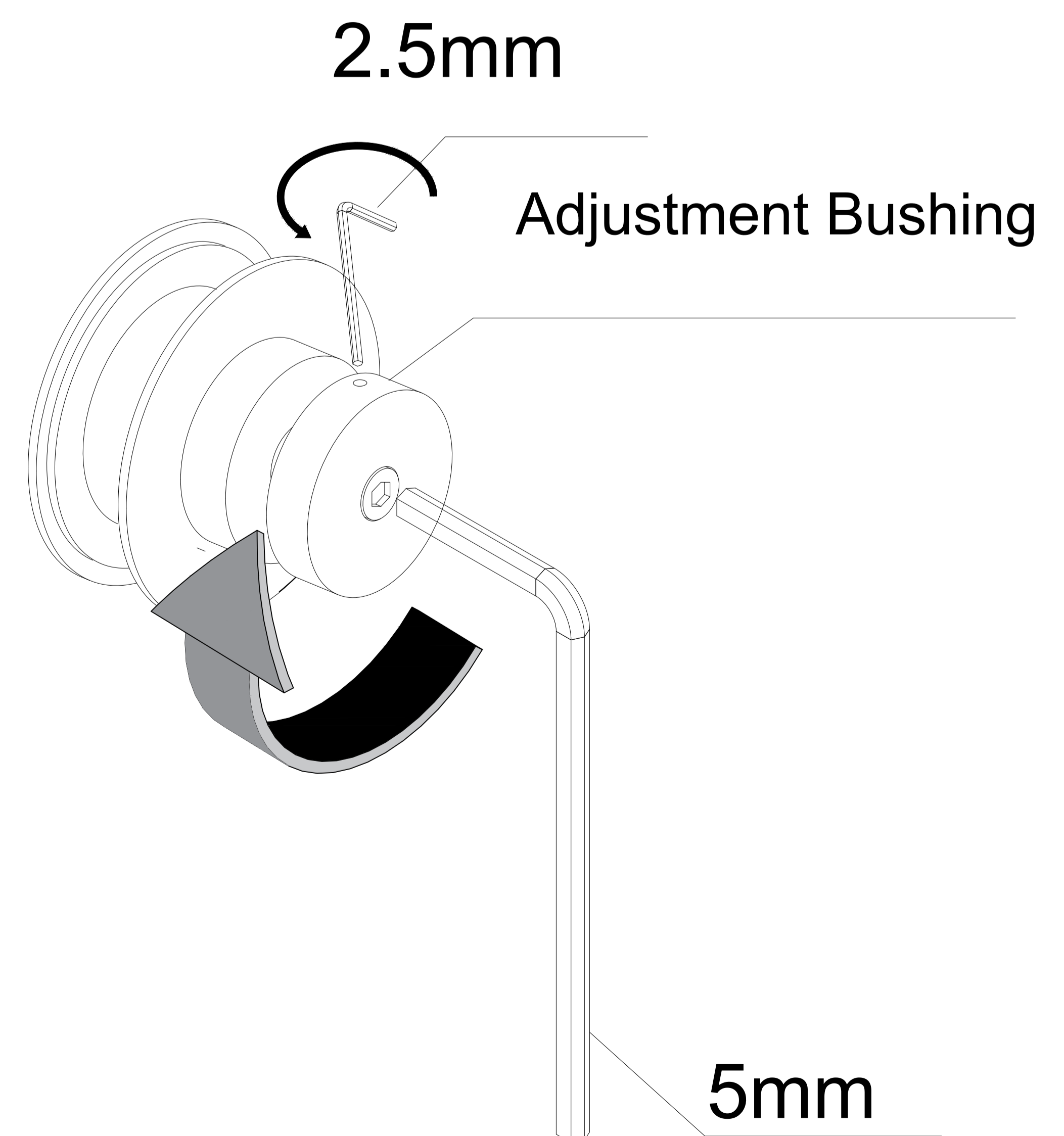
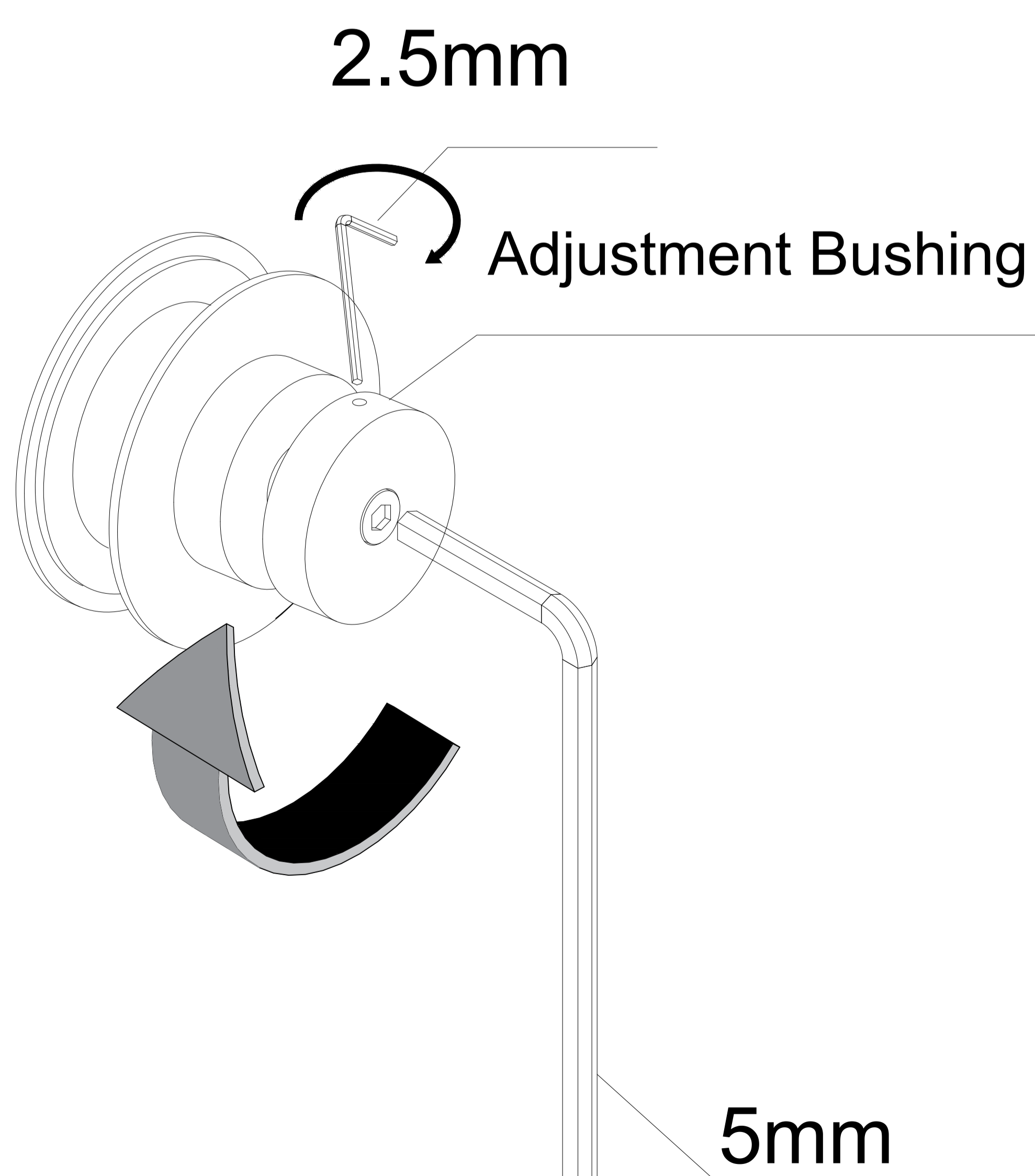
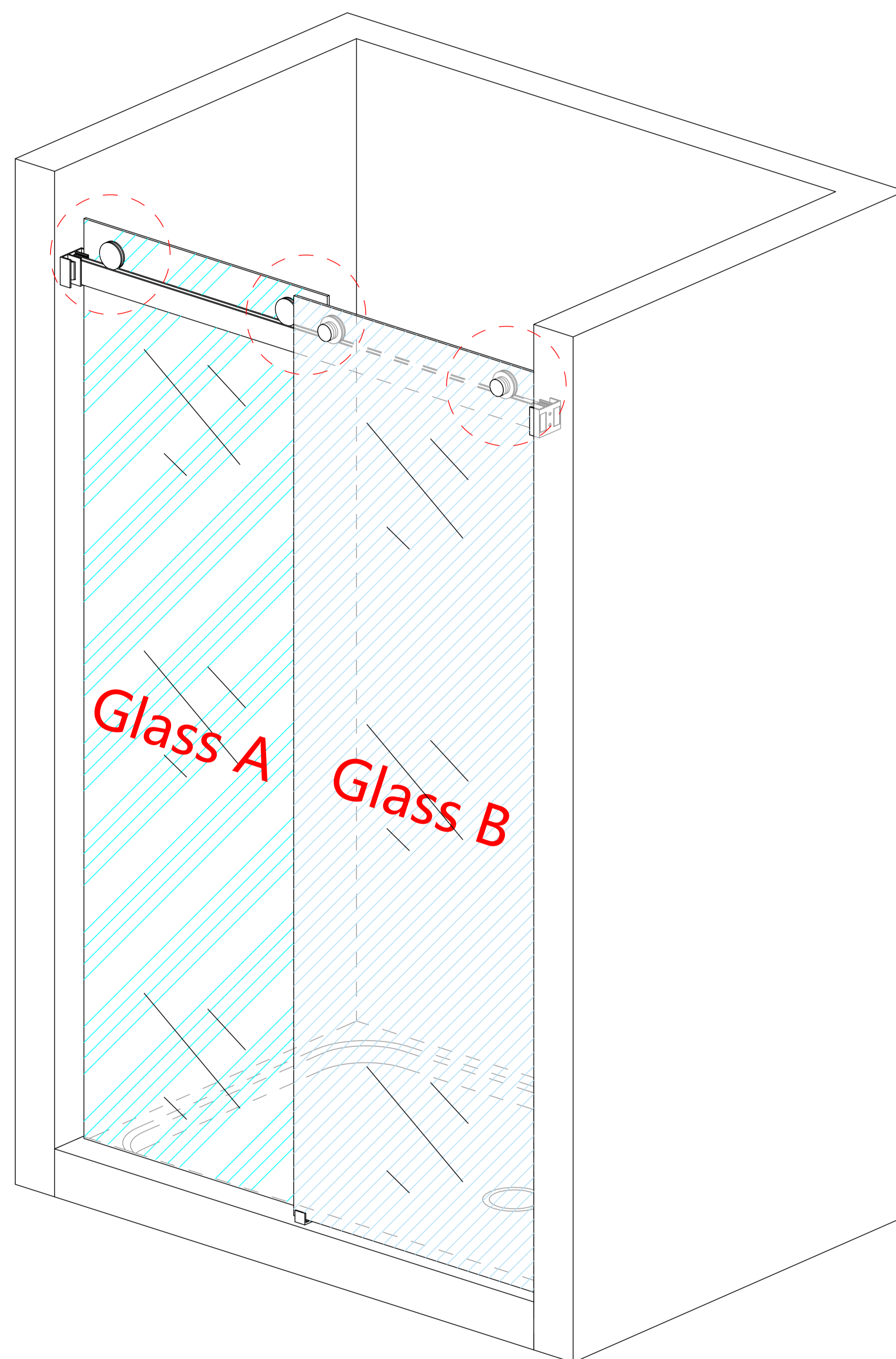


Adjust the roller (4) to control the height of the active panel (6)

STEP 8

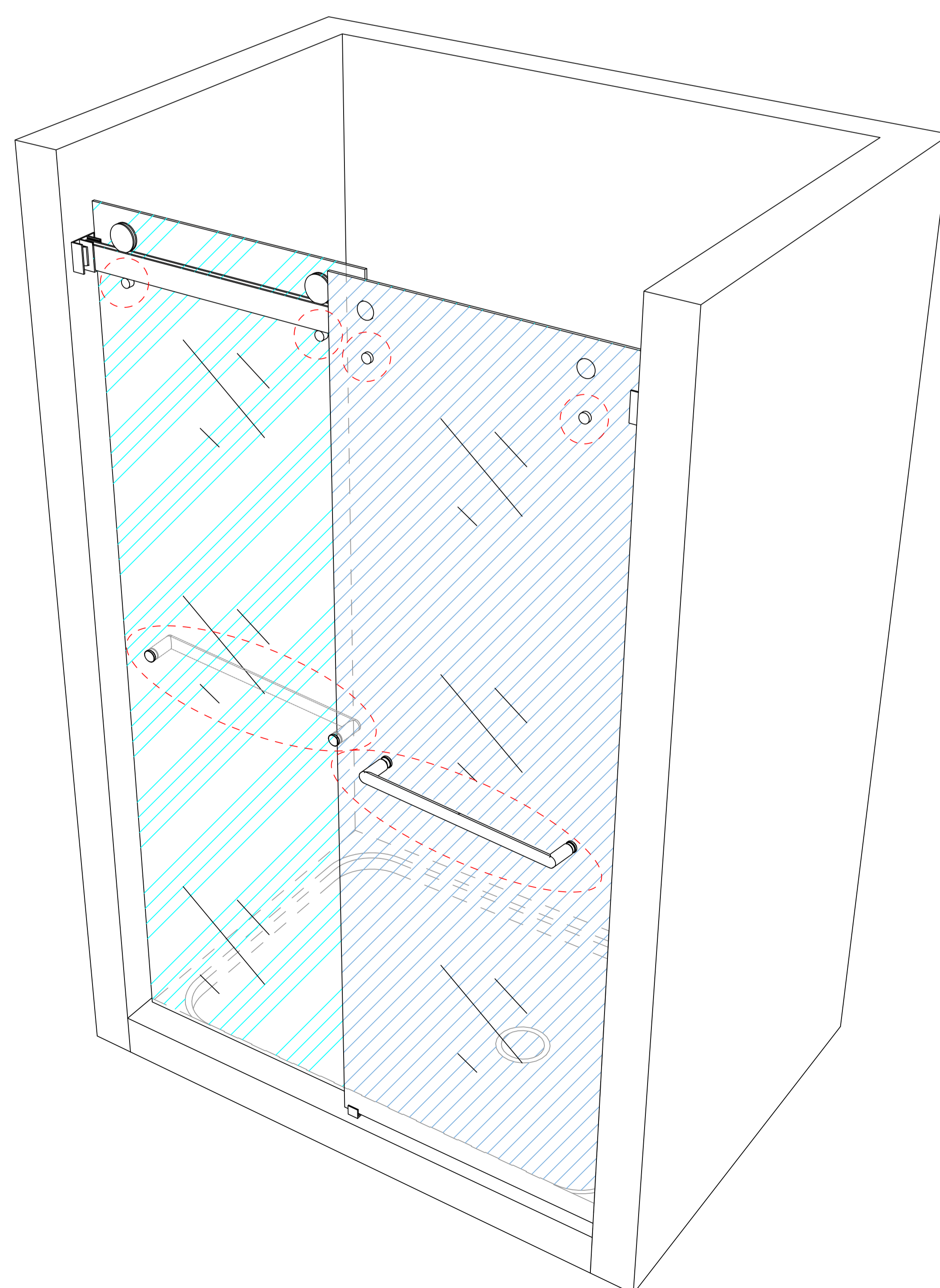
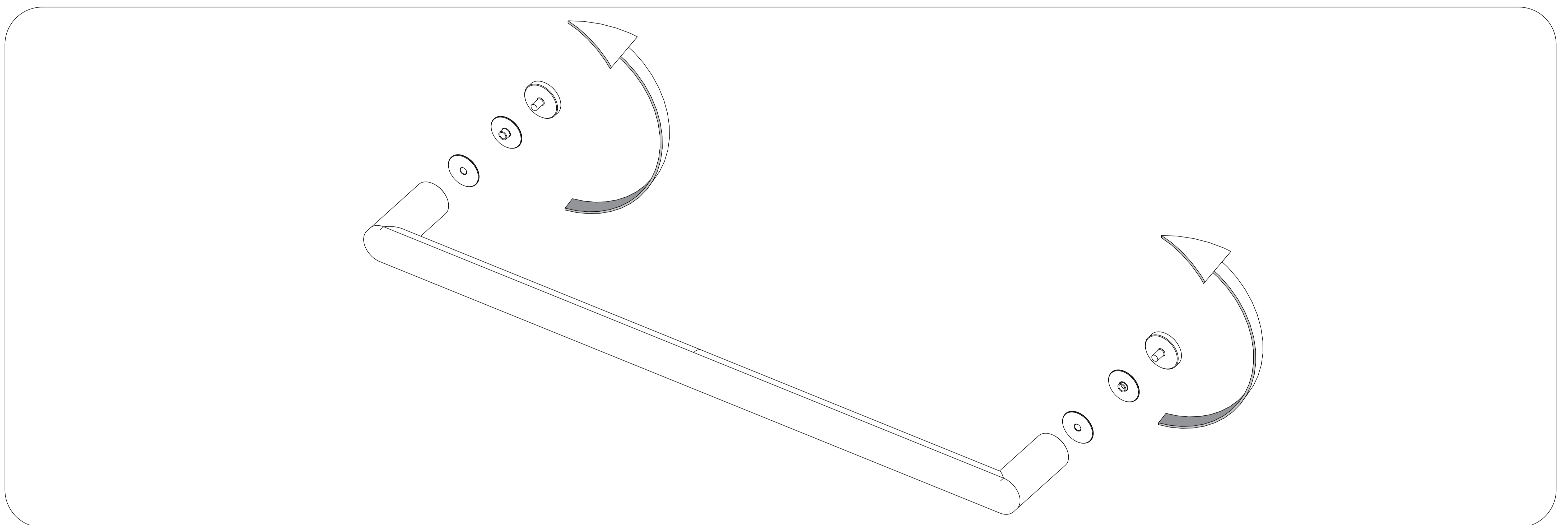
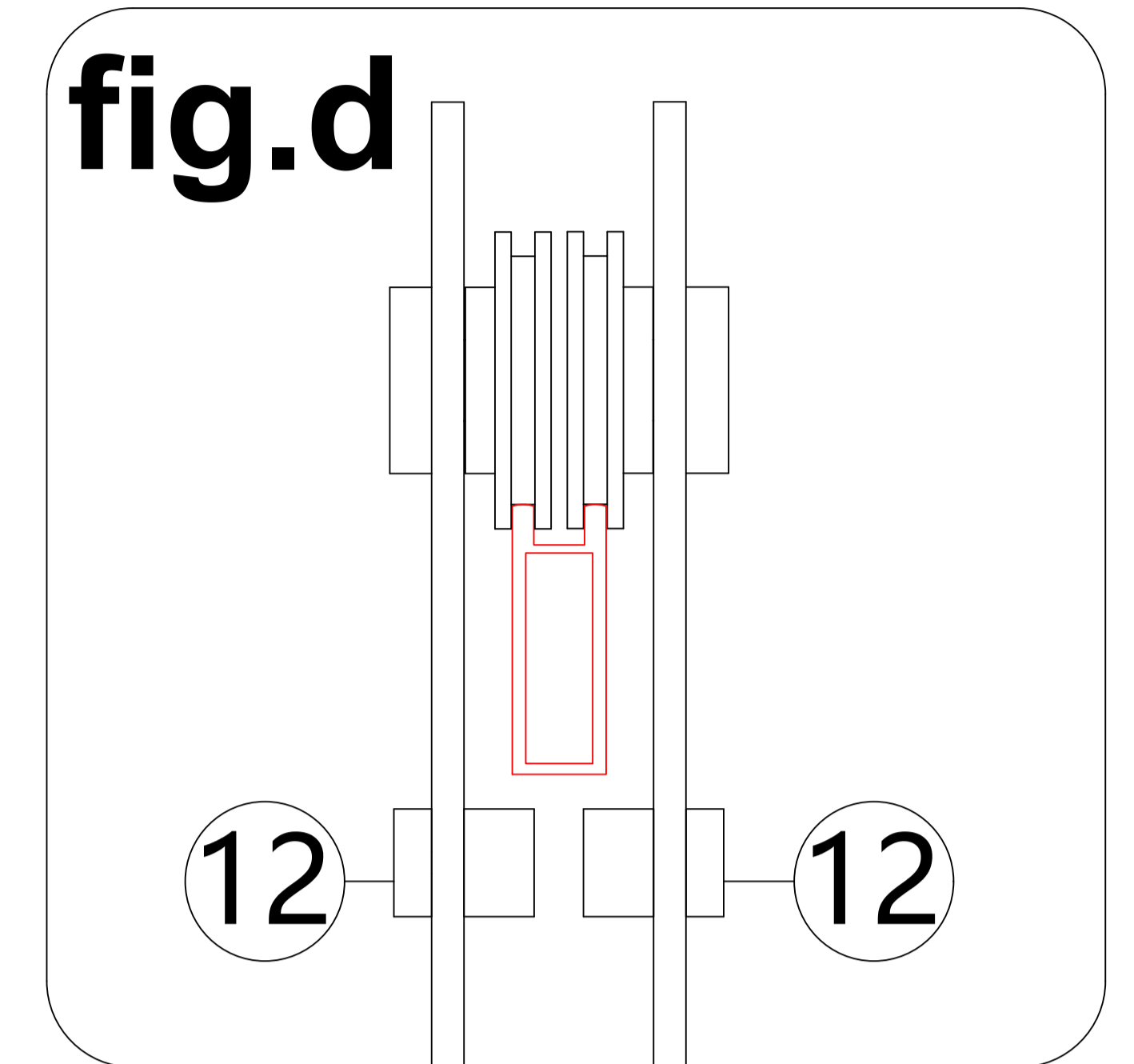
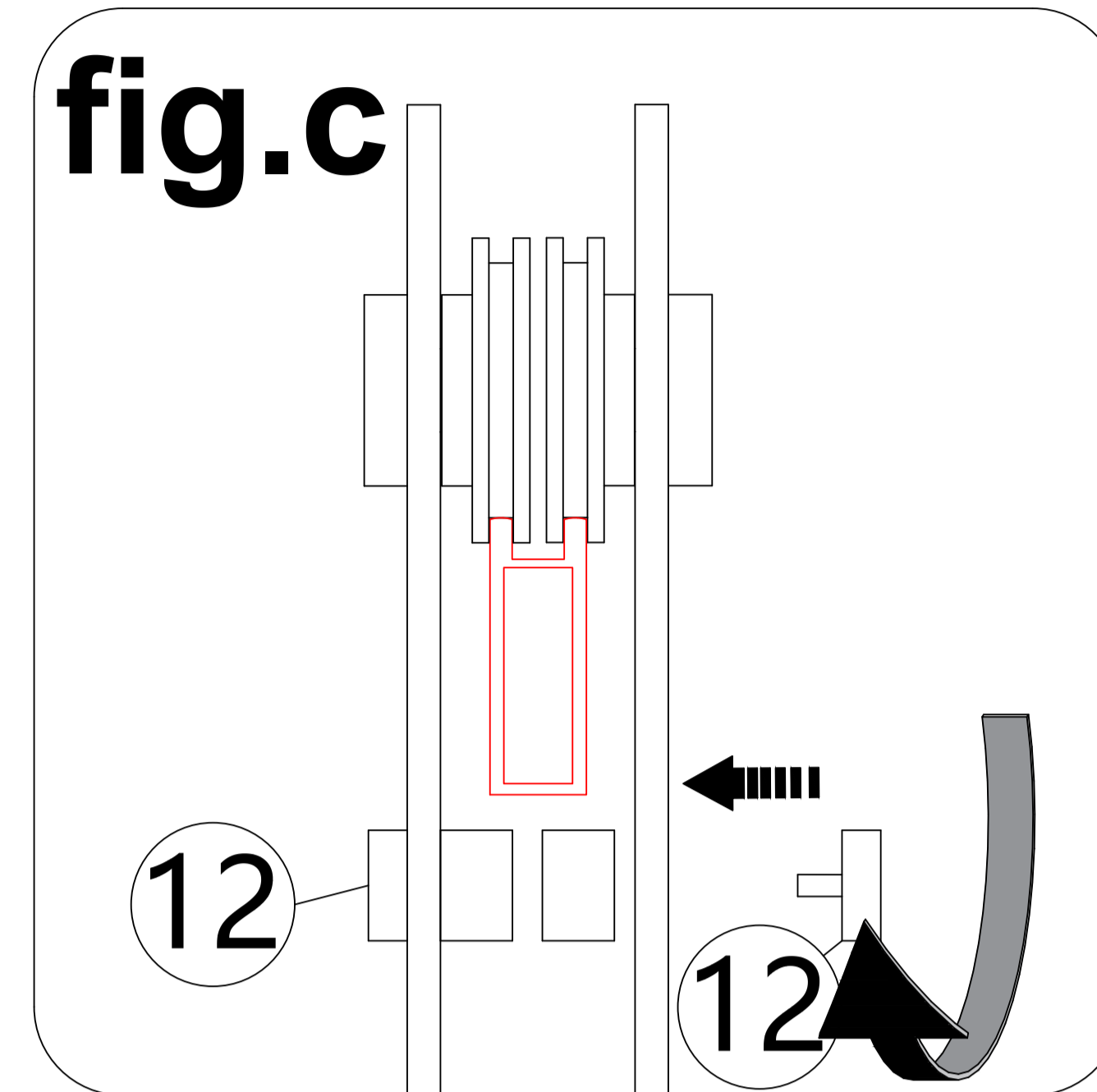
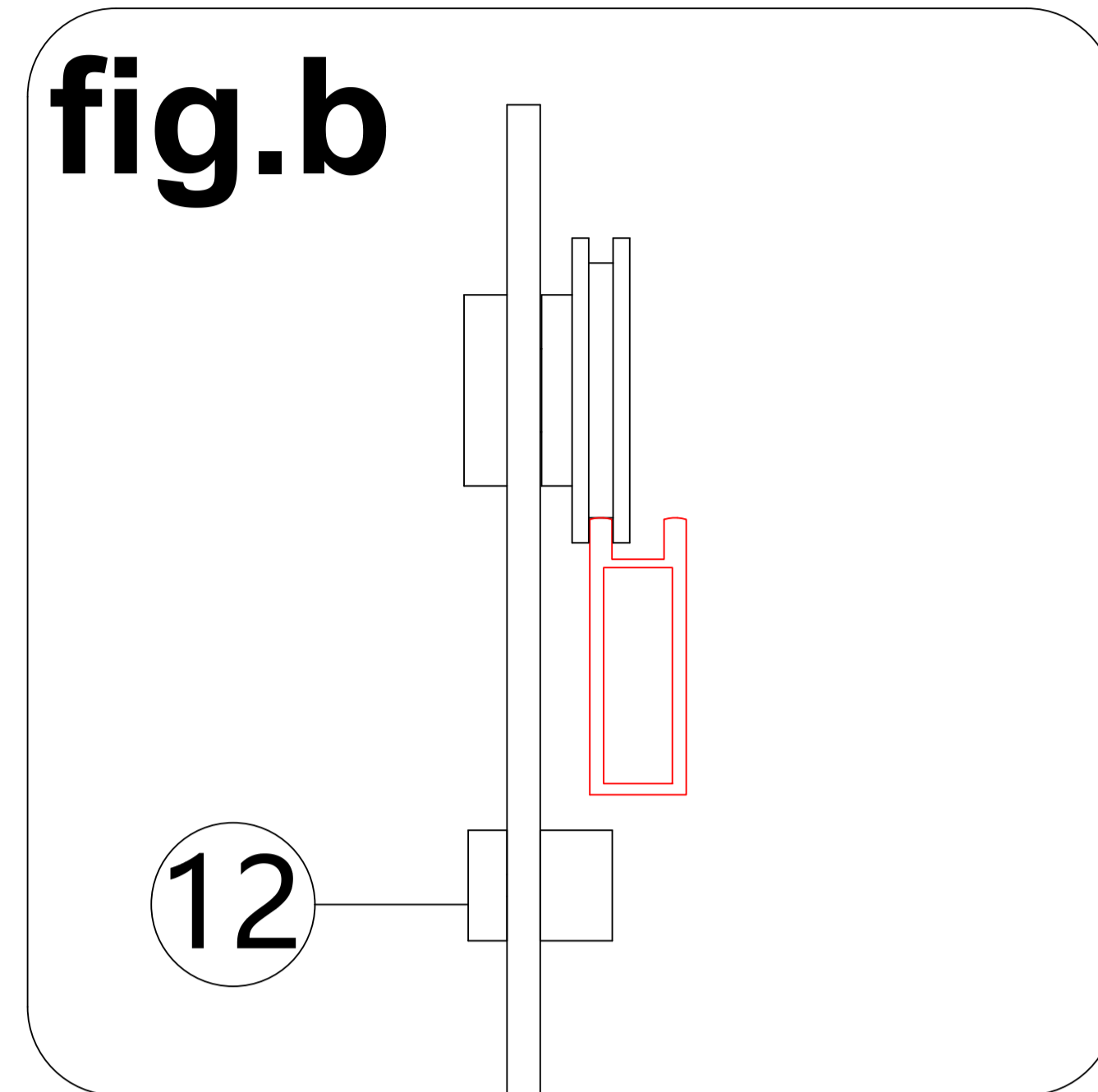
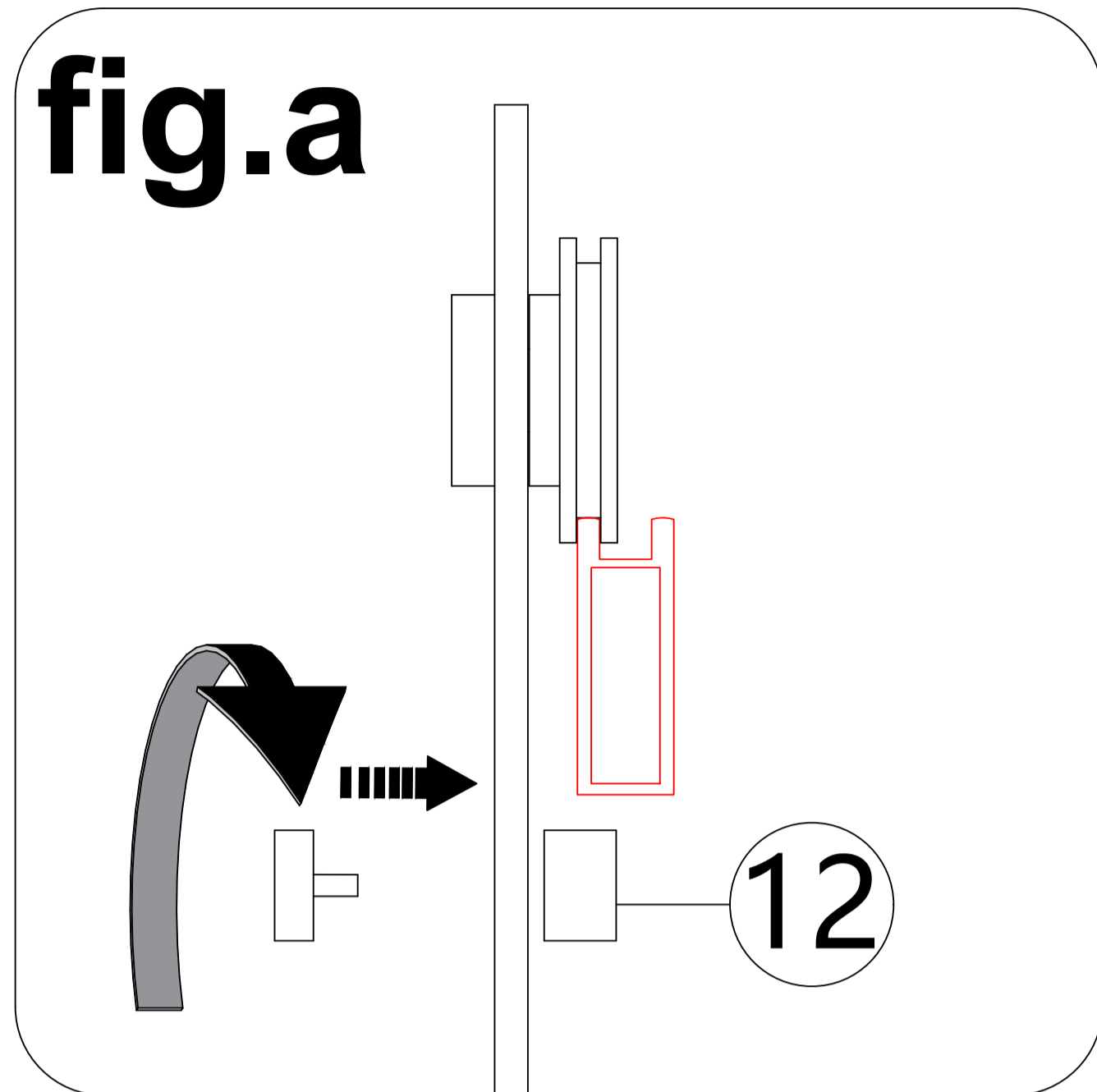
1. Use 2.5mm Allen wrench to rotate the eccentric shaft of the roller, adjust the height of the sliding panel.

2. Use 5mm Allen wrench to tight the roller.



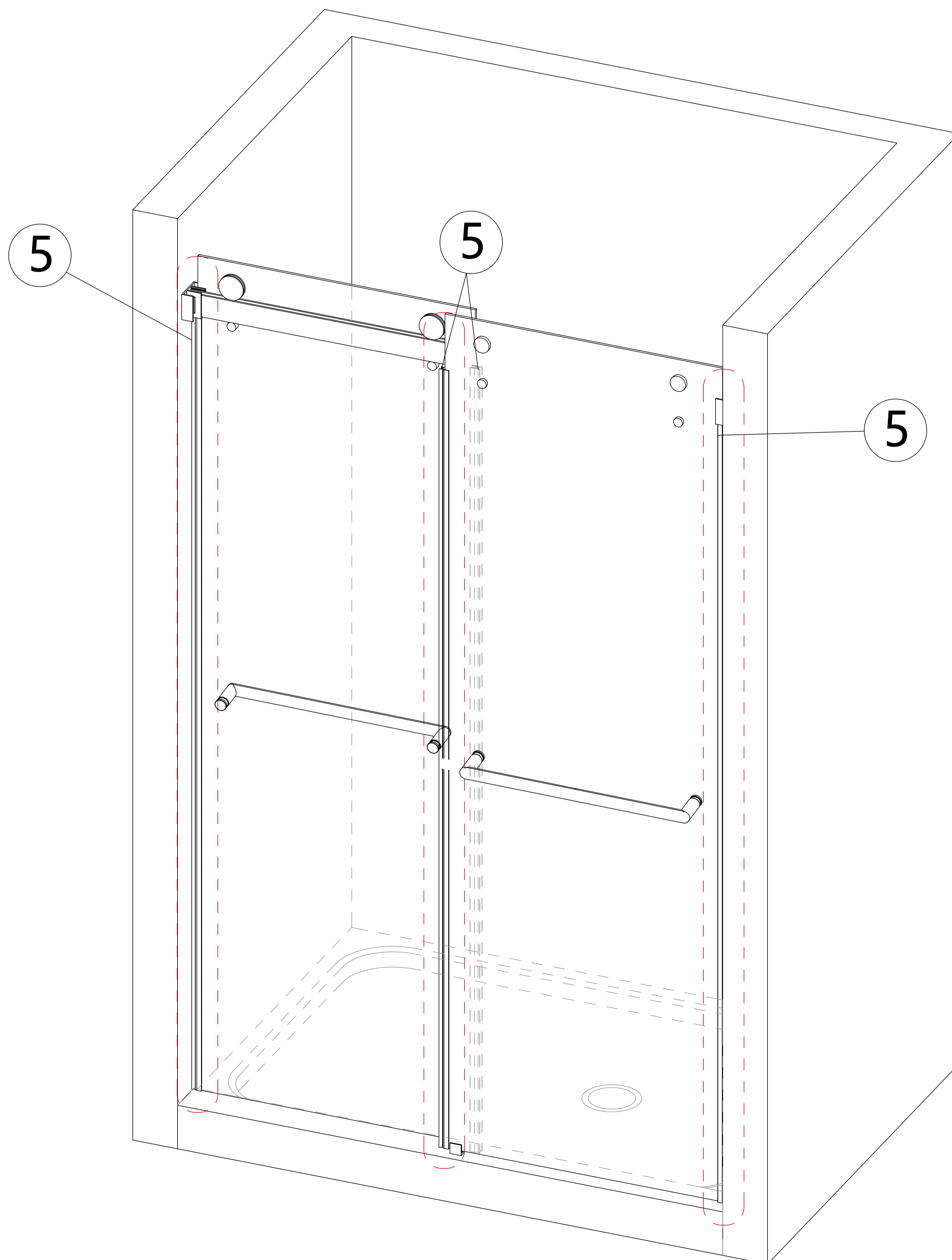
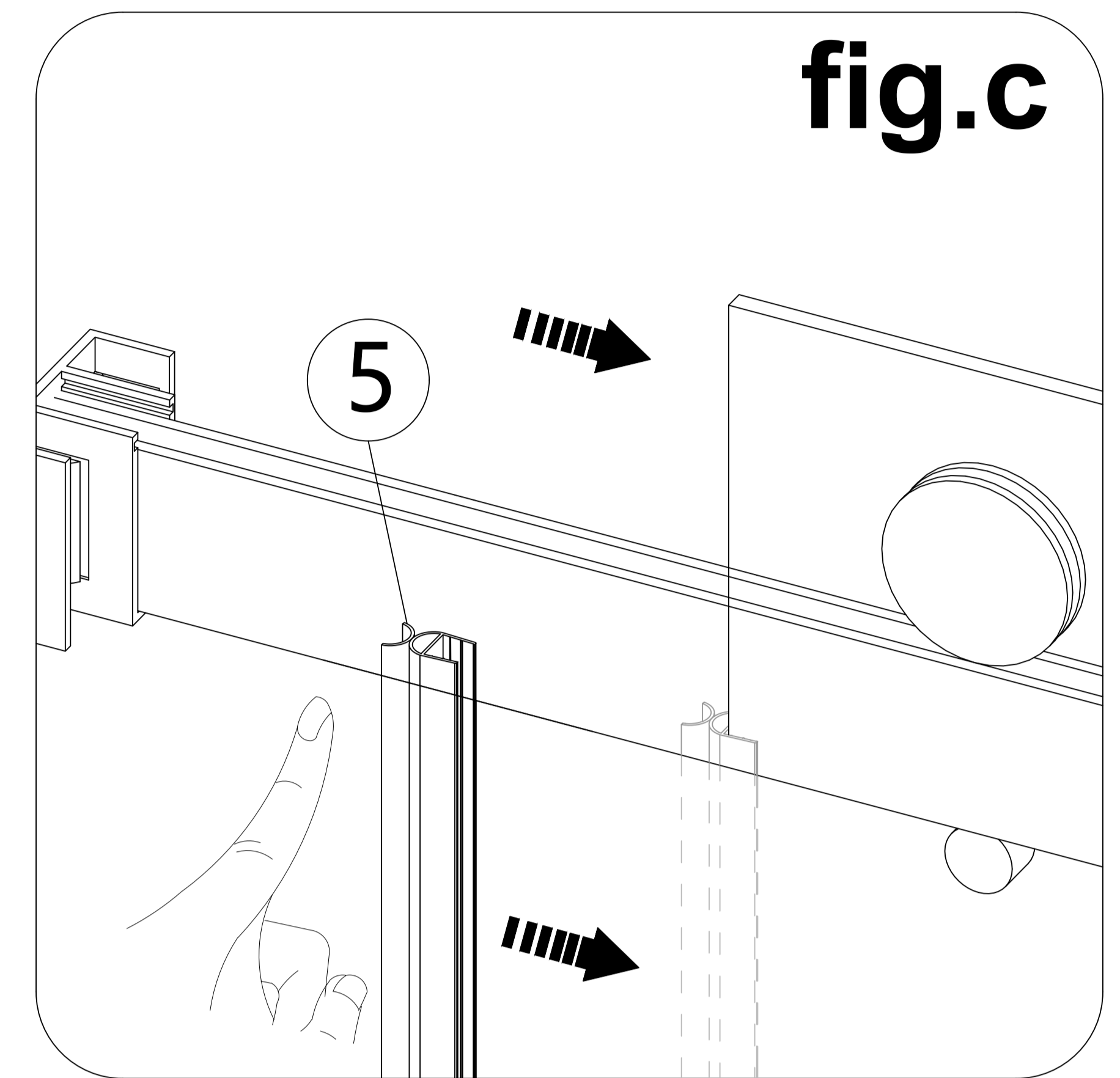
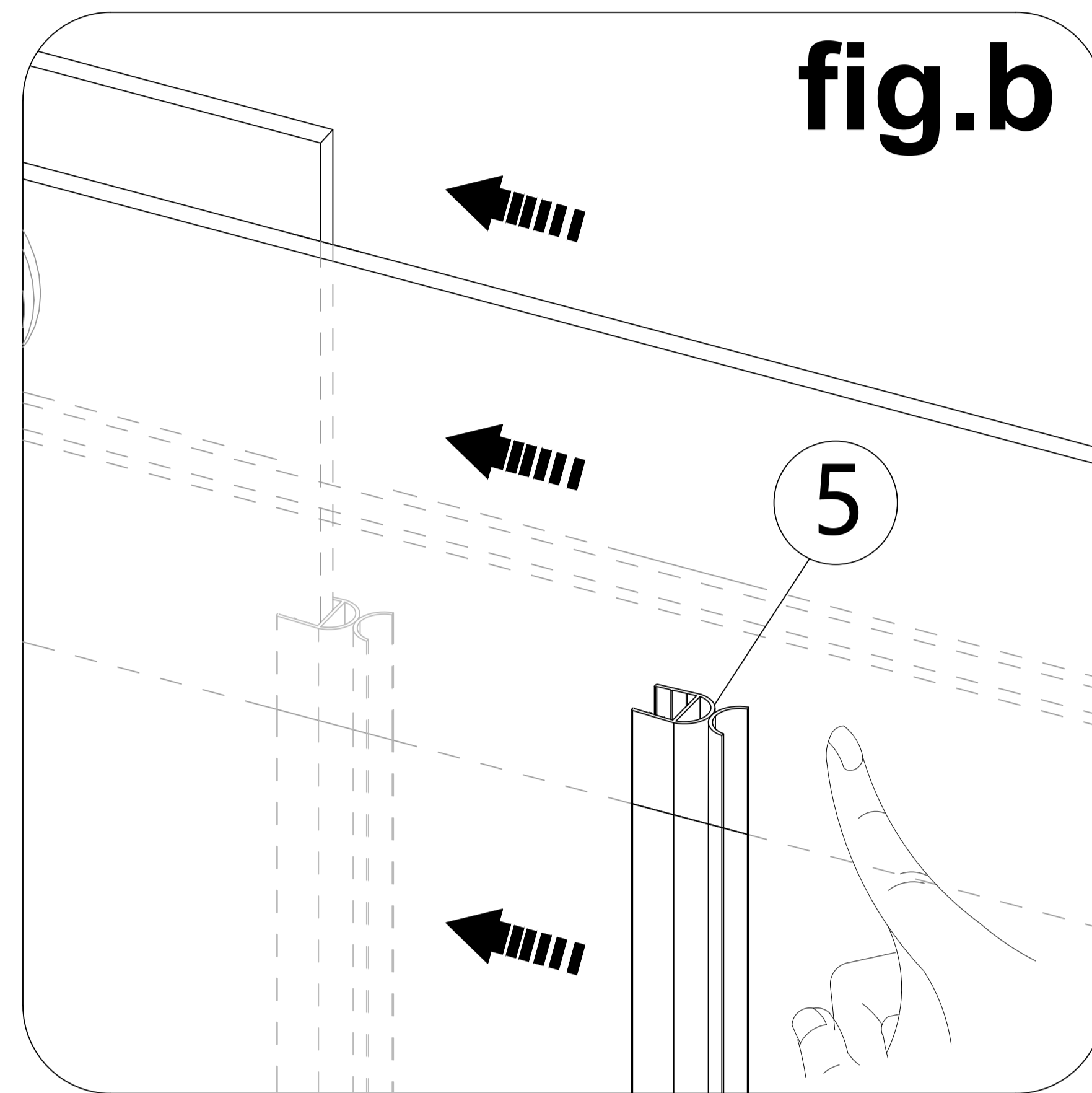
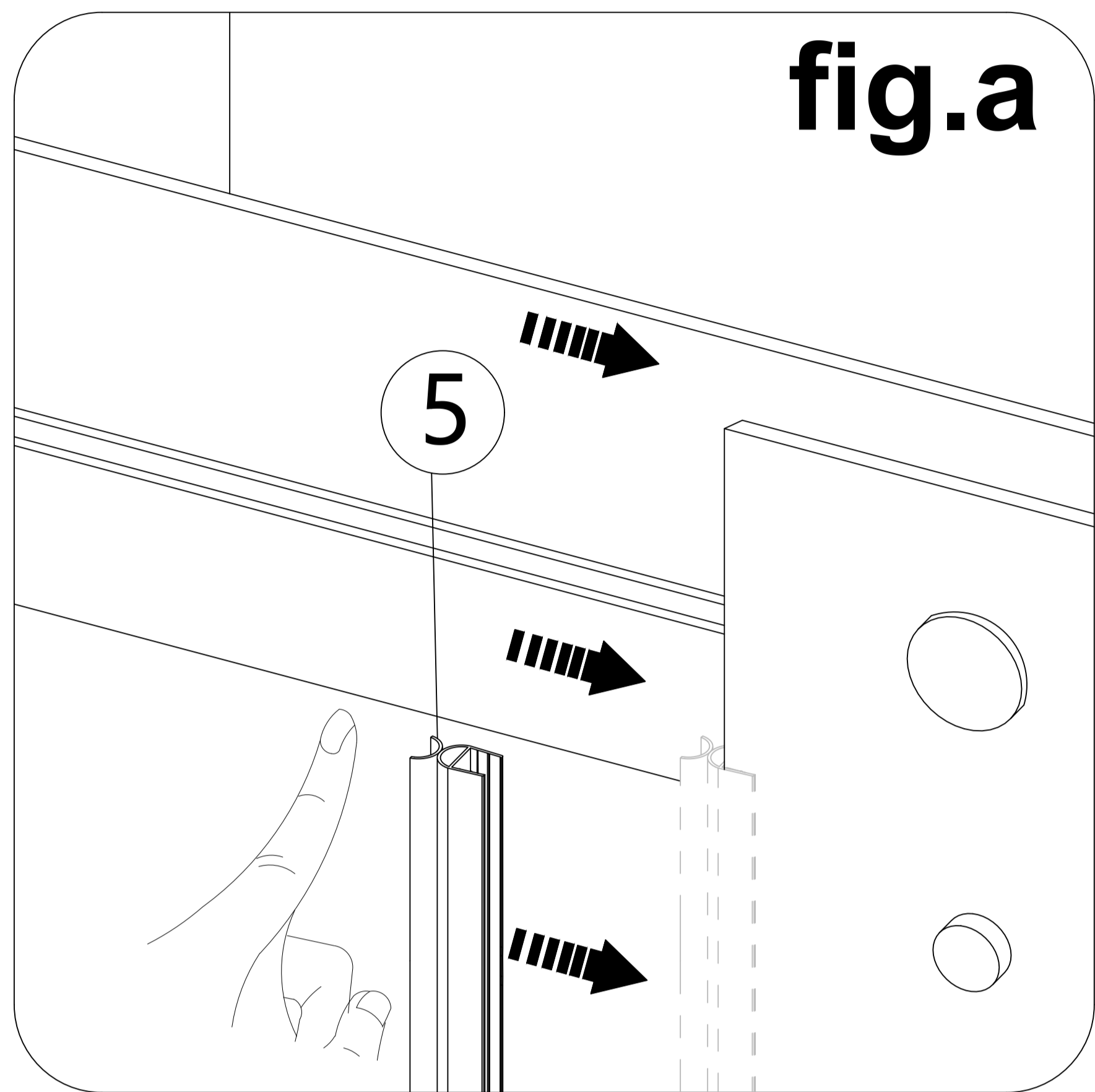
Anti-jumper (12) and handle (7) installation

STEP 9



waterproof strip (5) installation

STEP 10



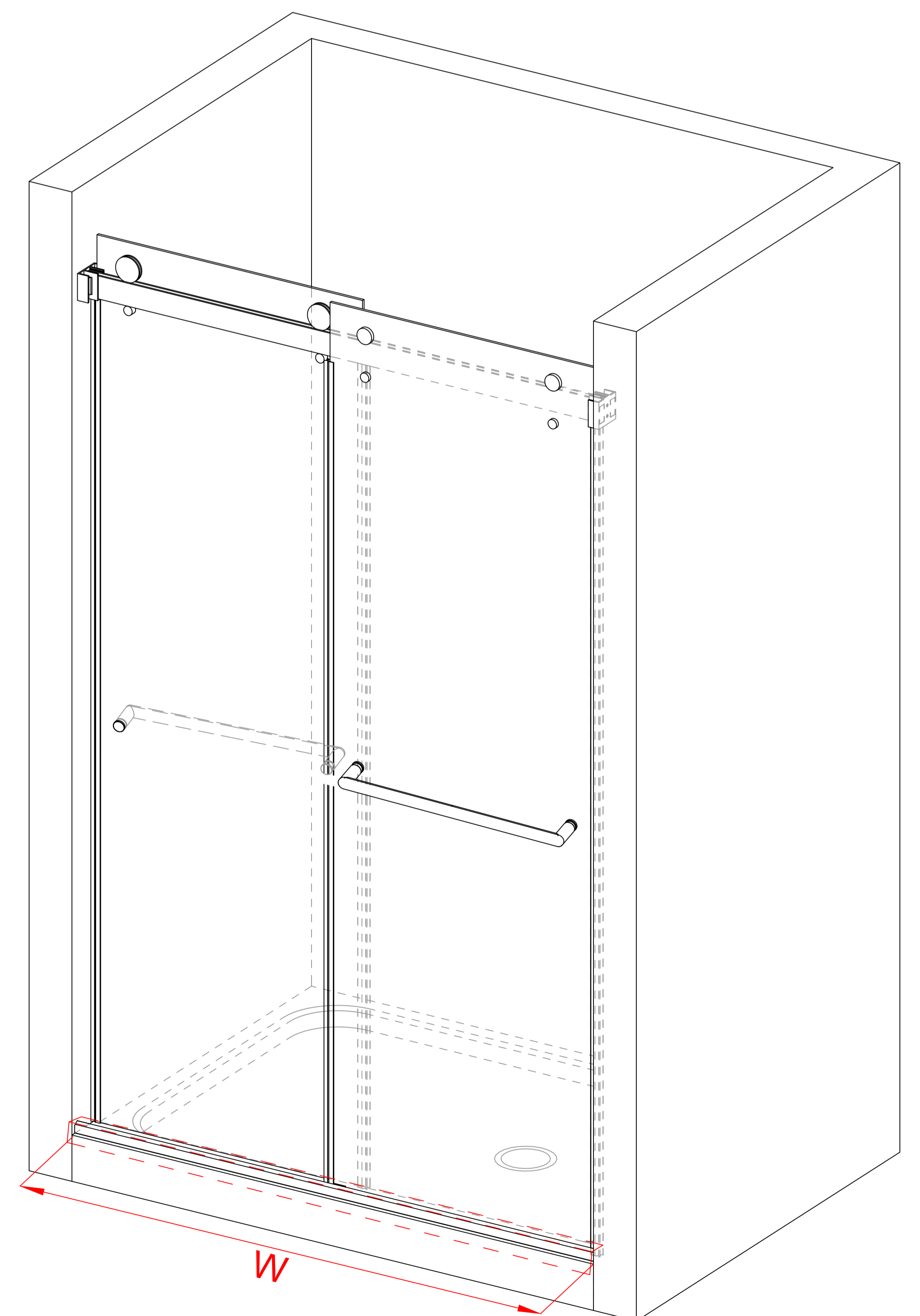
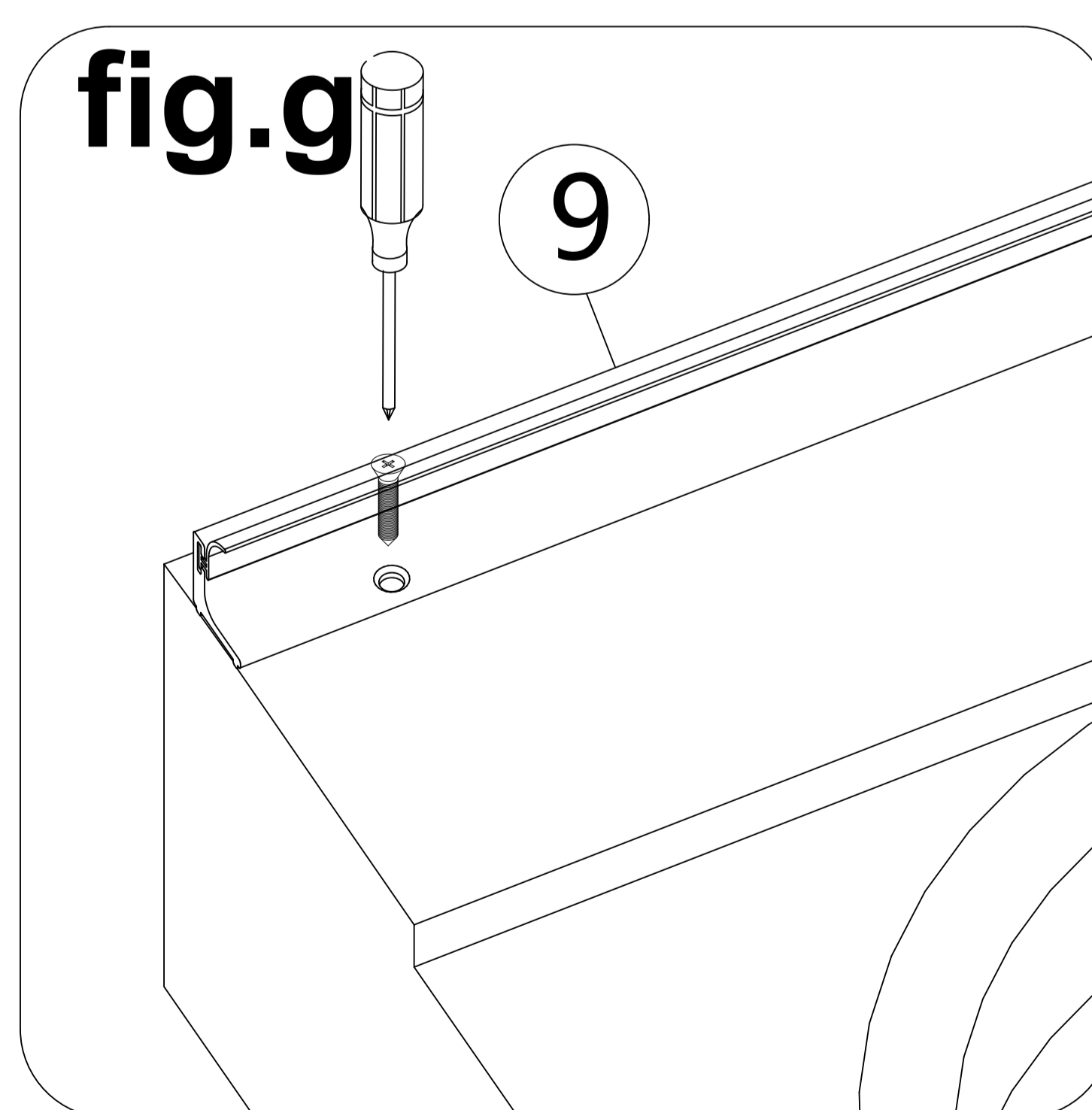
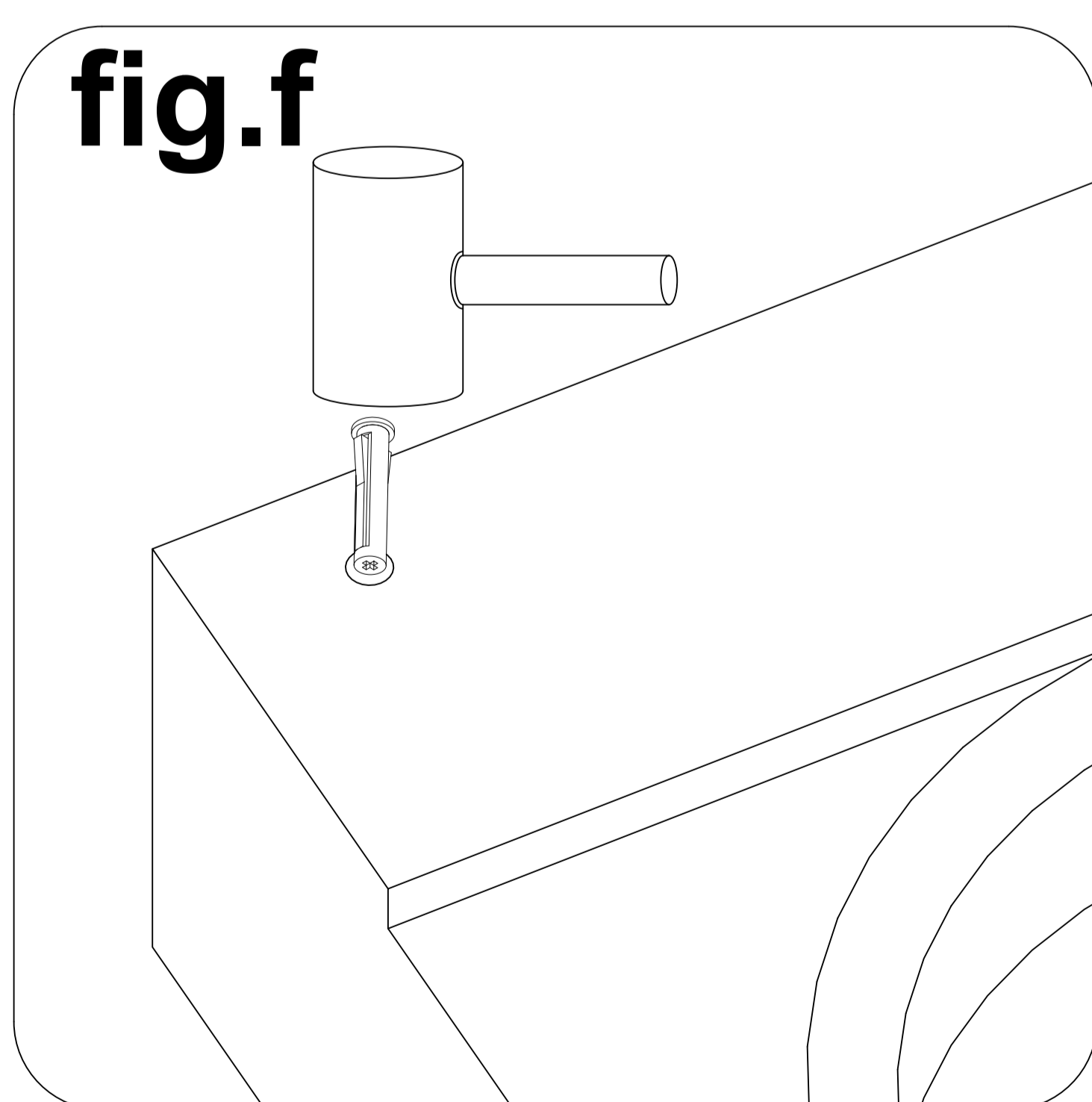
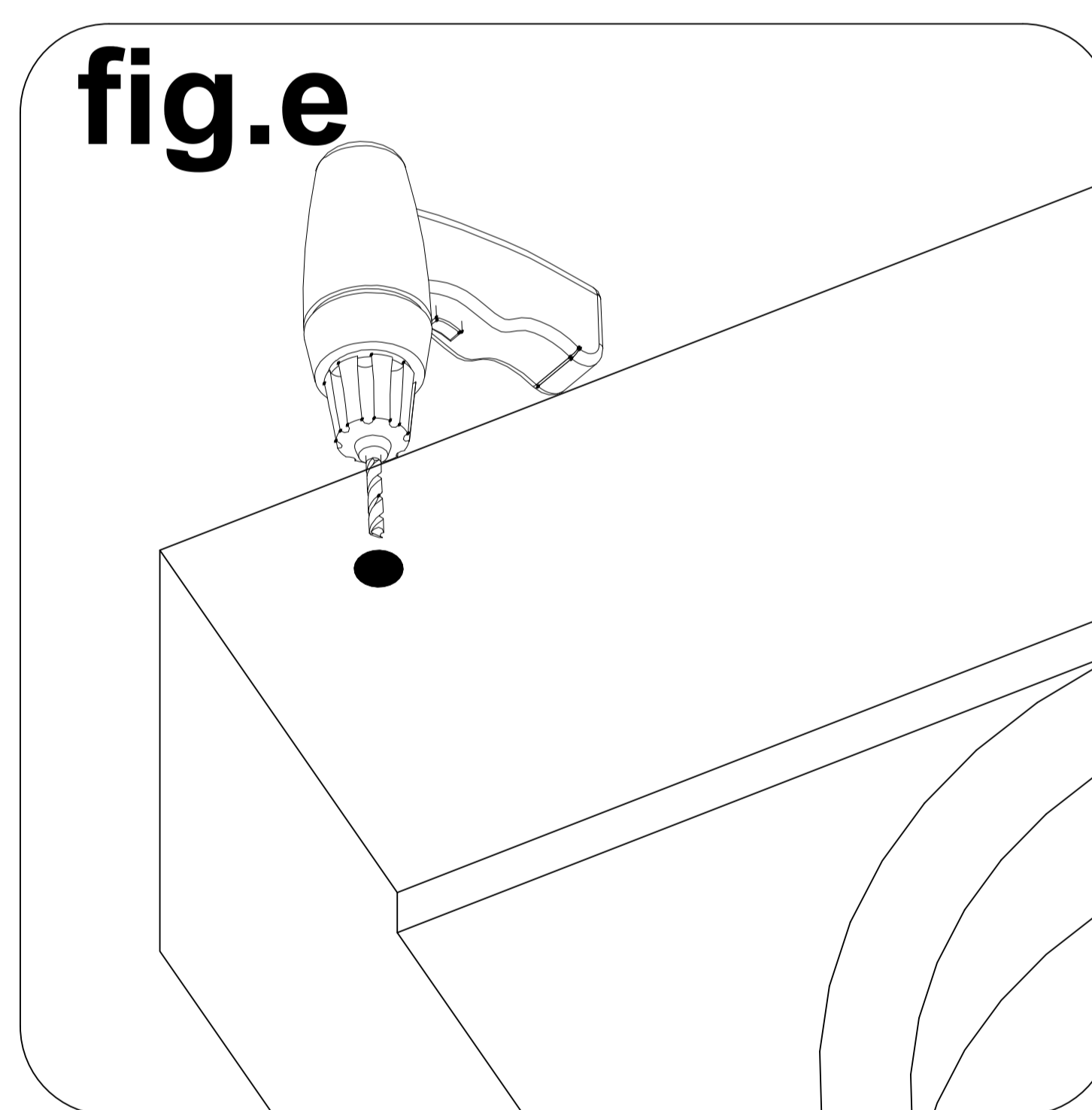
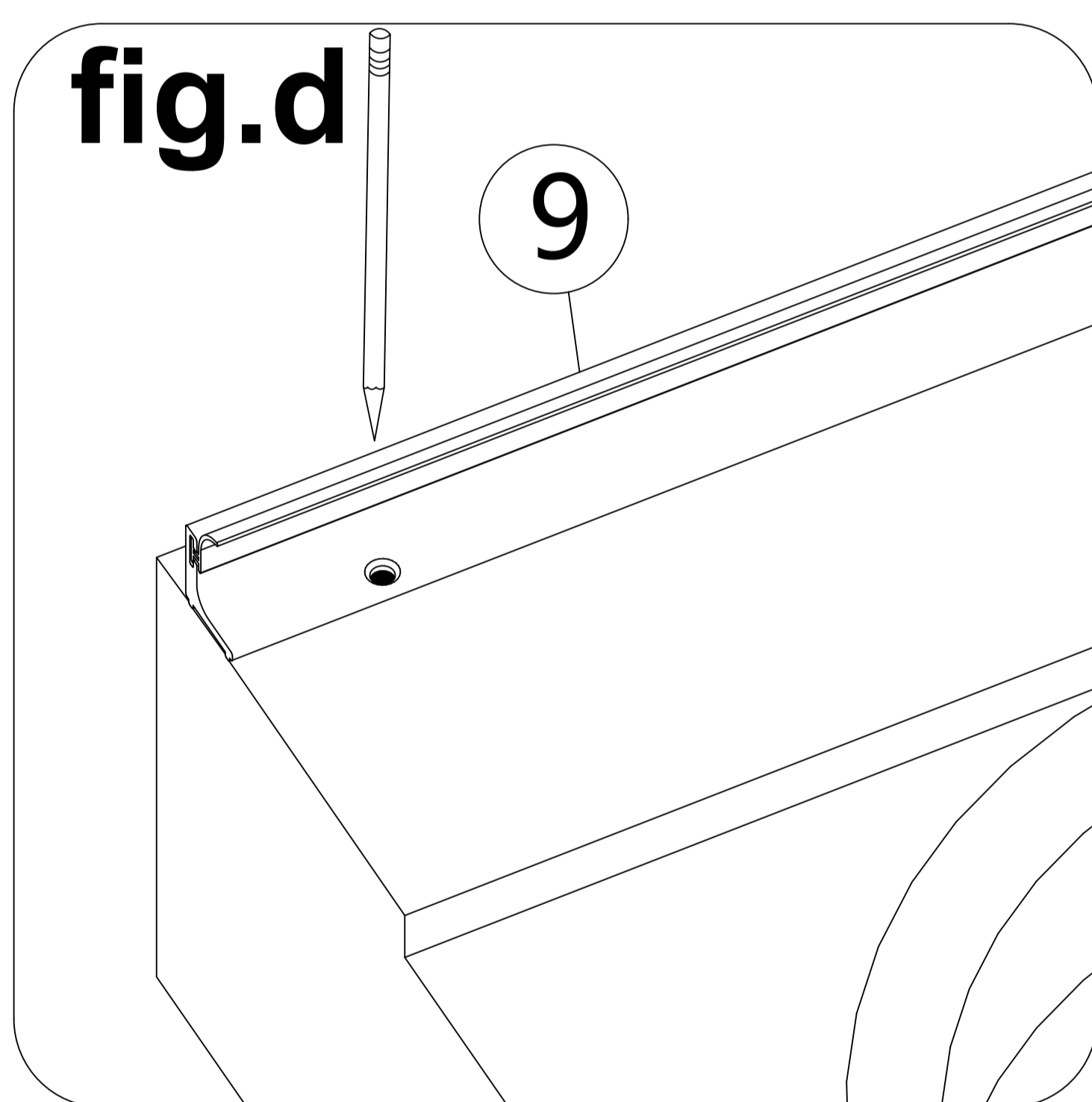
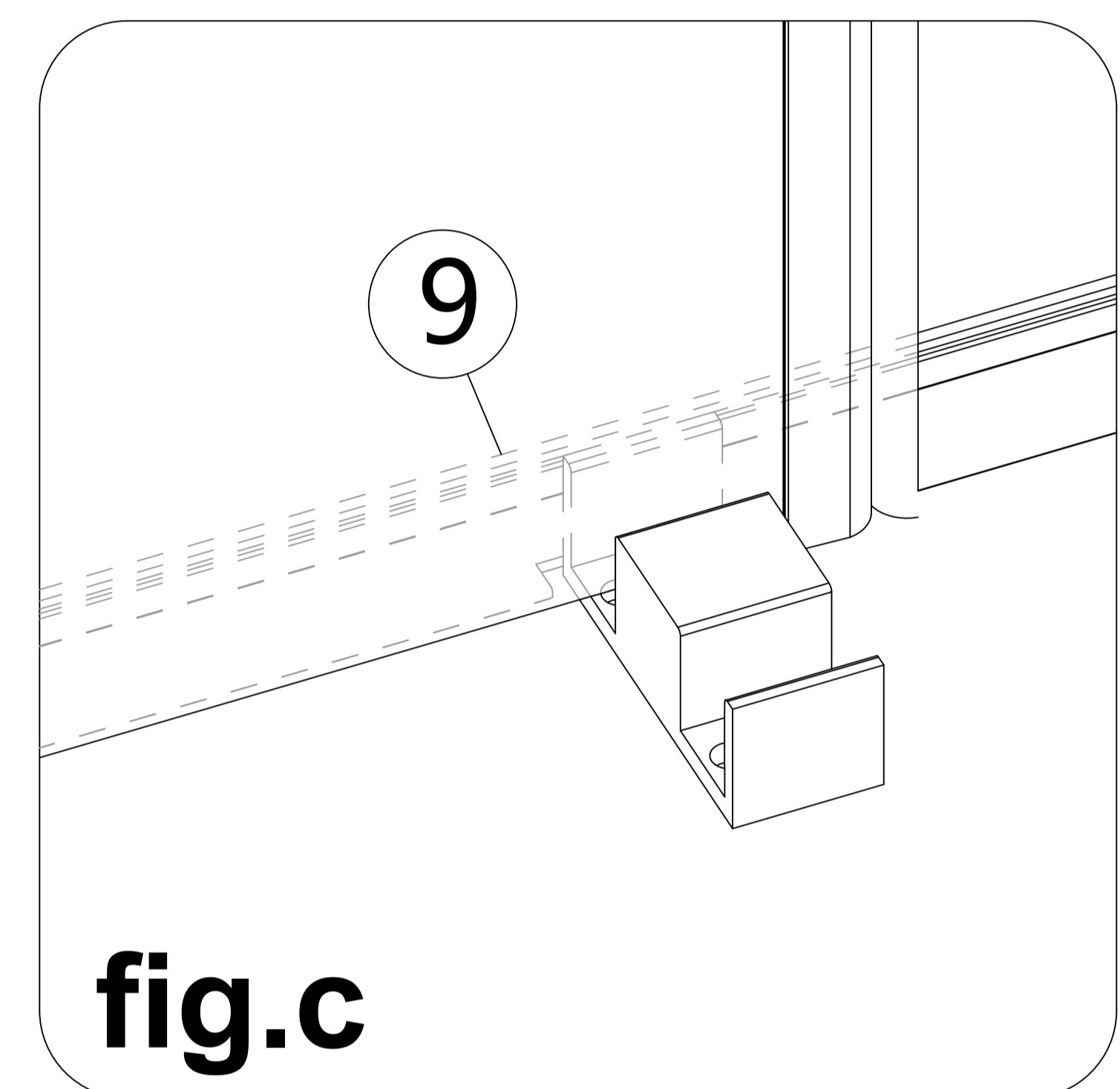
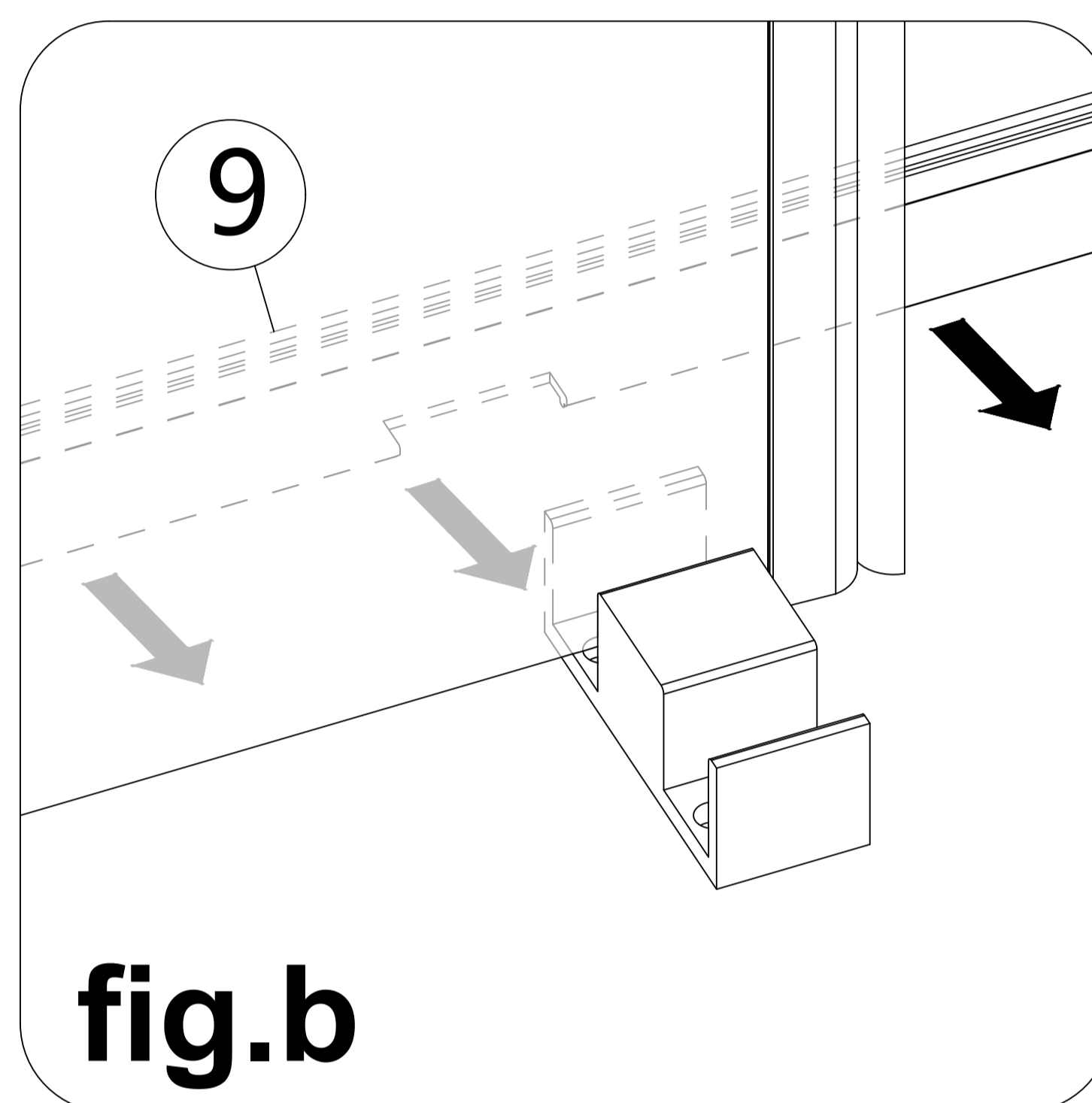
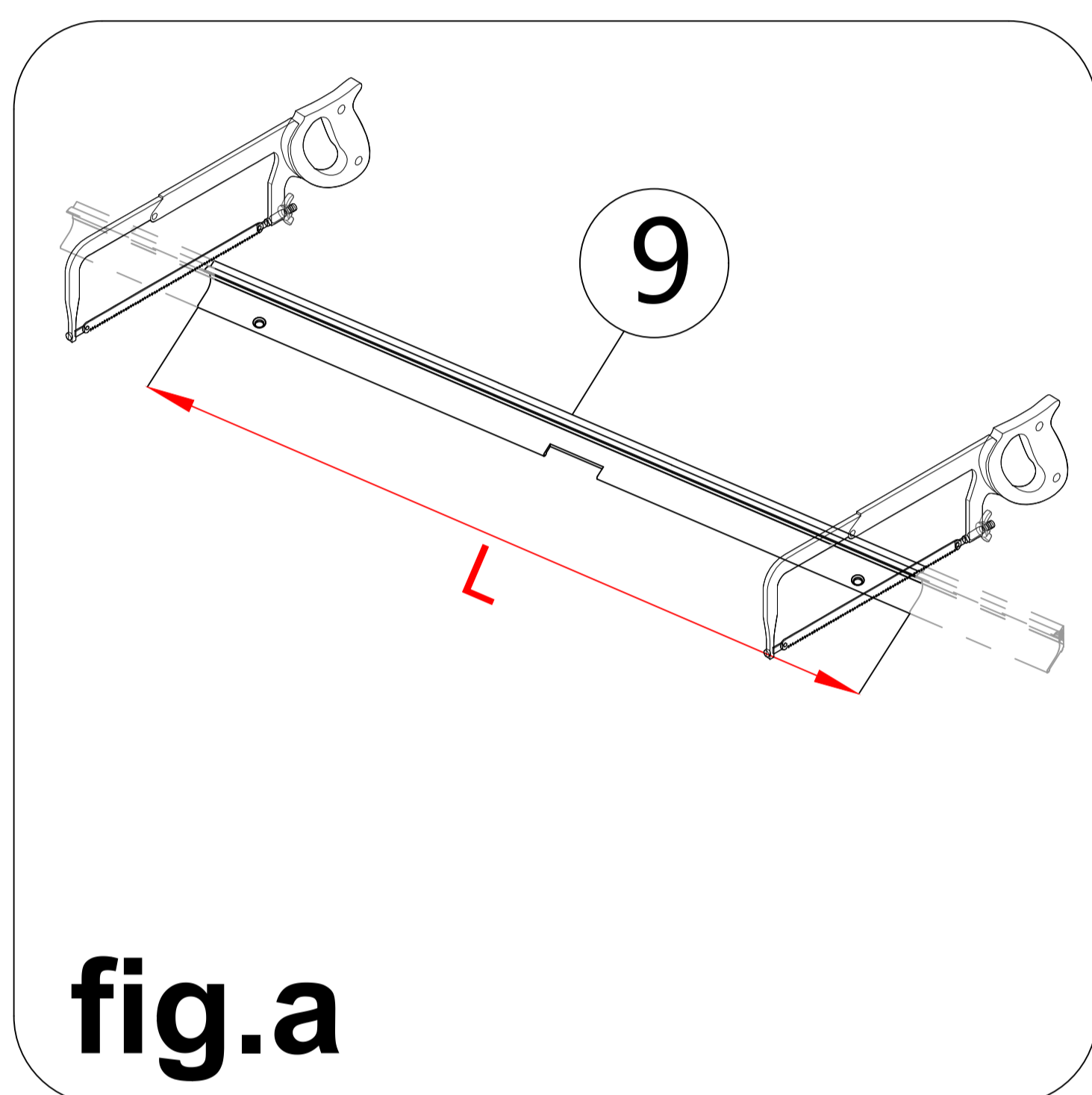
Threshold (9) installation

STEP 11

1.ensure the distance of the W.

2.If $W < 60$ inch ,you can cut the lower track to size.

Note: If $W=58$, each side needs to be trimmed $(60-58)/2=1$ inch.



Note : If cannot be drilled, please fixed it with glass gule.

Threshold gluing and final precautions

STEP 12

