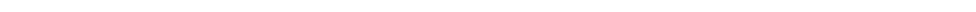
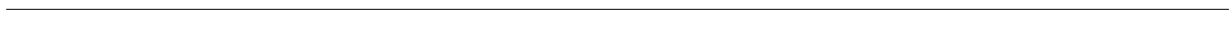
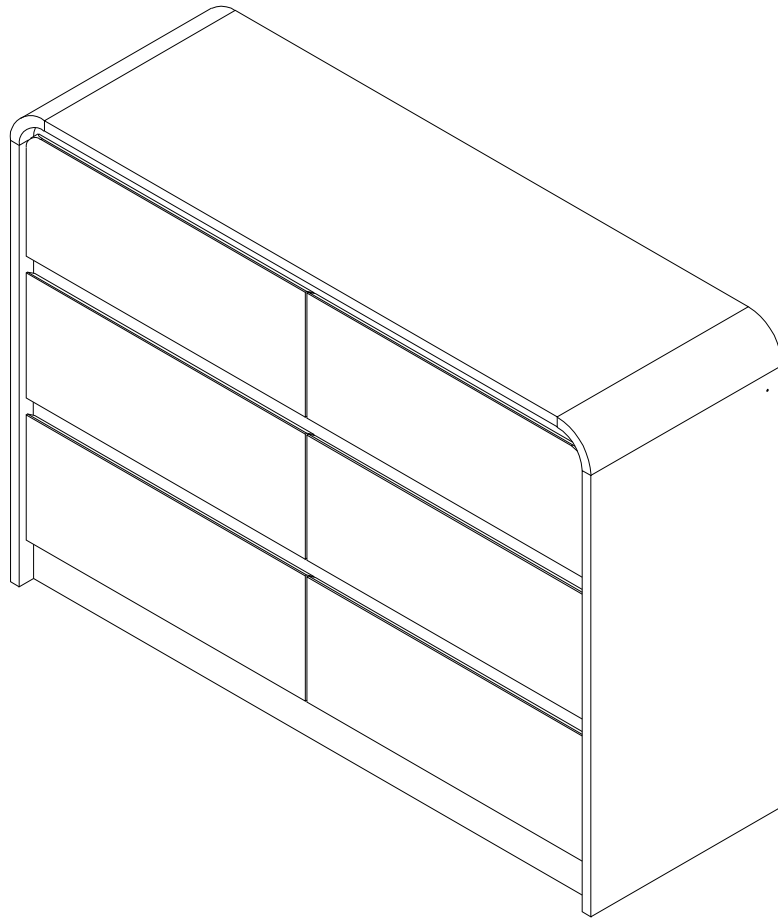
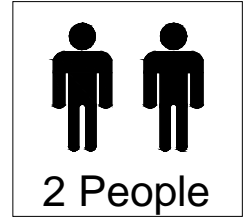
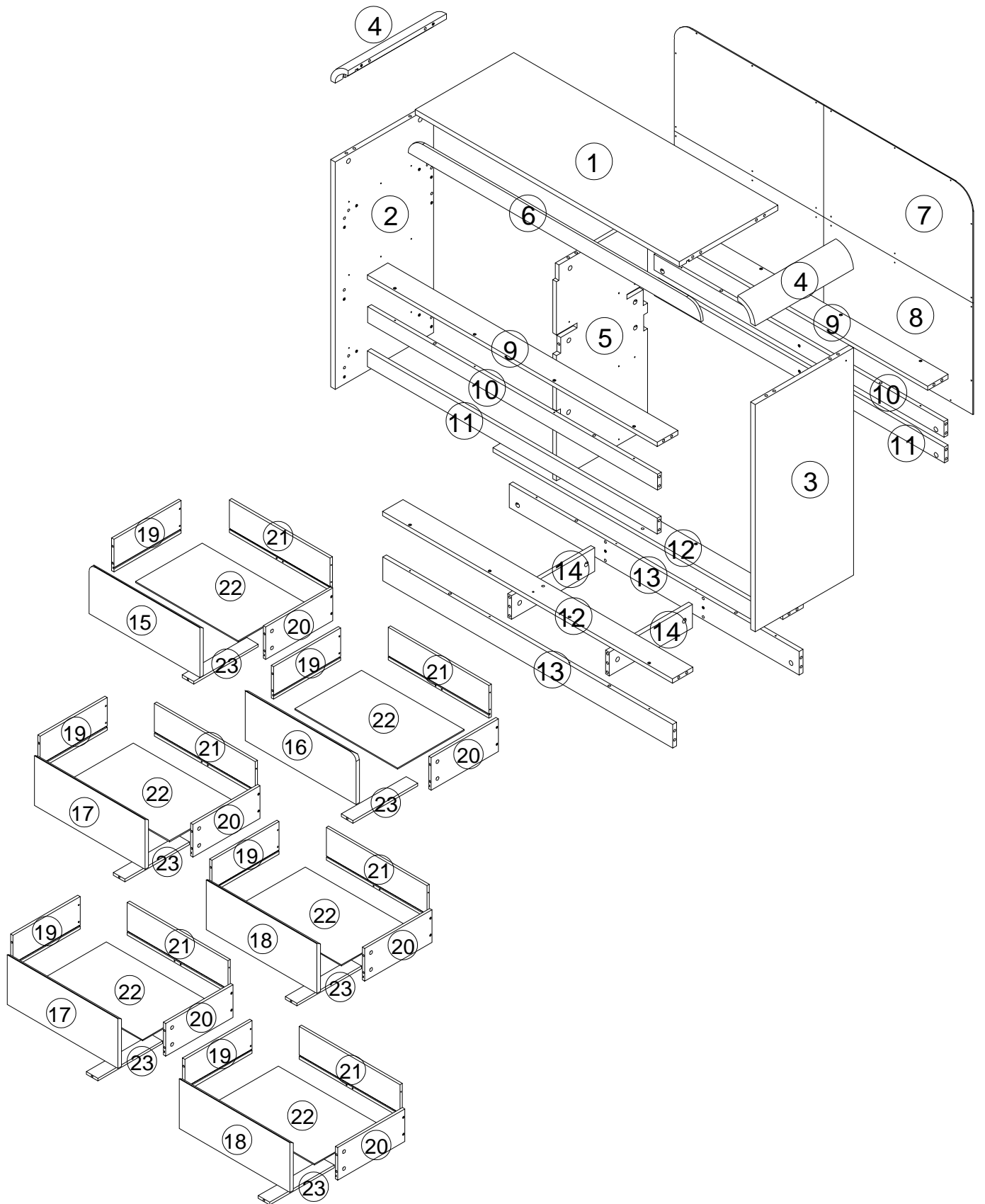



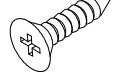
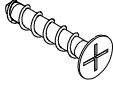

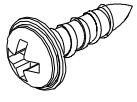
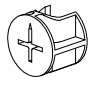
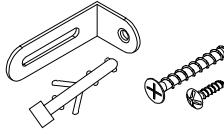
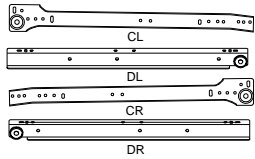
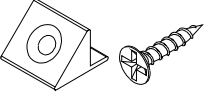
ASSEMBLY INSTRUCTIONS

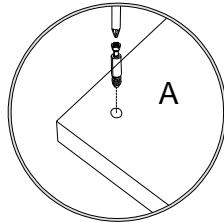




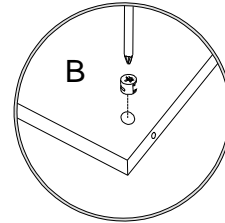
CODE	DESCRIPTION	QTY
1	Top Panel	1
2	Left Side Panel	1
3	Right Side Panel	1
4	Bent Wood Board	2
5	Middle Vertical Panel	1
6	Upper Front Strip	1
7	Upper Back Panel	1
8	Lower Back Panel	1
9	Front Crosspiece	2
10	Front vertical panel 1	2
11	Front vertical panel 2	2
12	Bottom Crosspiece	2
13	Bottom Vertical Panel	2
14	Bottom Supported Panel	2
22	Drawer Bottom Panel	6
23	Drawer Bottom Strip	6

CODE	DESCRIPTION	QTY
15	Upper Left Drawer Top Panel	1
16	Upper Right Drawer Top Panel	1
17	Lower Left Drawer Top Panel	2
18	Lower Right Drawer Top Panel	2
19	Drawer Left Side Panel	6
20	Drawer Right Side Panel	6
21	Drawer Back Panel	6

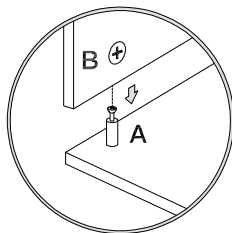
<p>Ø8X30MM</p>  <p>A 48X+2</p>	<p>Ø3X12MM</p>  <p>B 72X+2</p>	<p>Ø4X35MM</p>  <p>C 54X+2</p>	 <p>D 68X+2</p>
<p>Ø3.5X12MM</p>  <p>F 28X+2</p>	<p>Ø15X10MM</p>  <p>G 68X+2</p>	 <p>H 2X</p>	 <p>L 6X</p>
 <p>M 2X</p>			



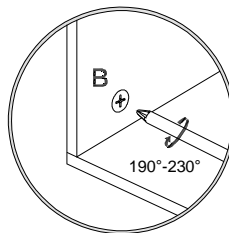
1. Screw cam bolt into panel



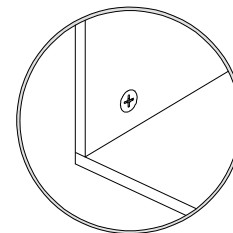
2. Push cam into panel - arrow feature on cam top points to panel edge



3. Align cam bolt(s) with cam(s) and insert all the way into cross-bored hole(s)

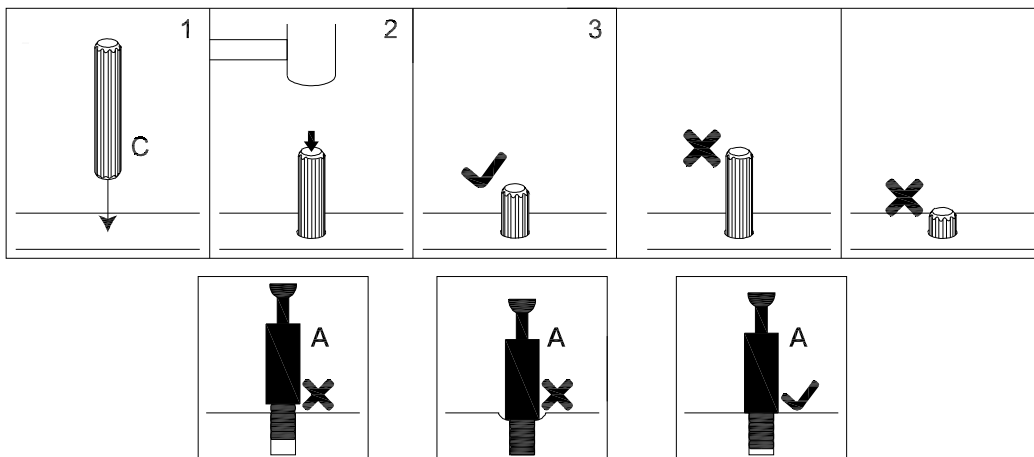


4. Rotate cam(s) clockwise 190°-230° to lock panels together



5. Panels should be tight against each other and connection should be rigid

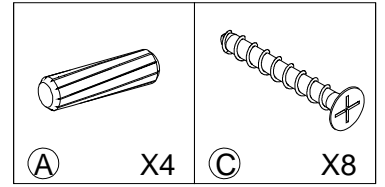
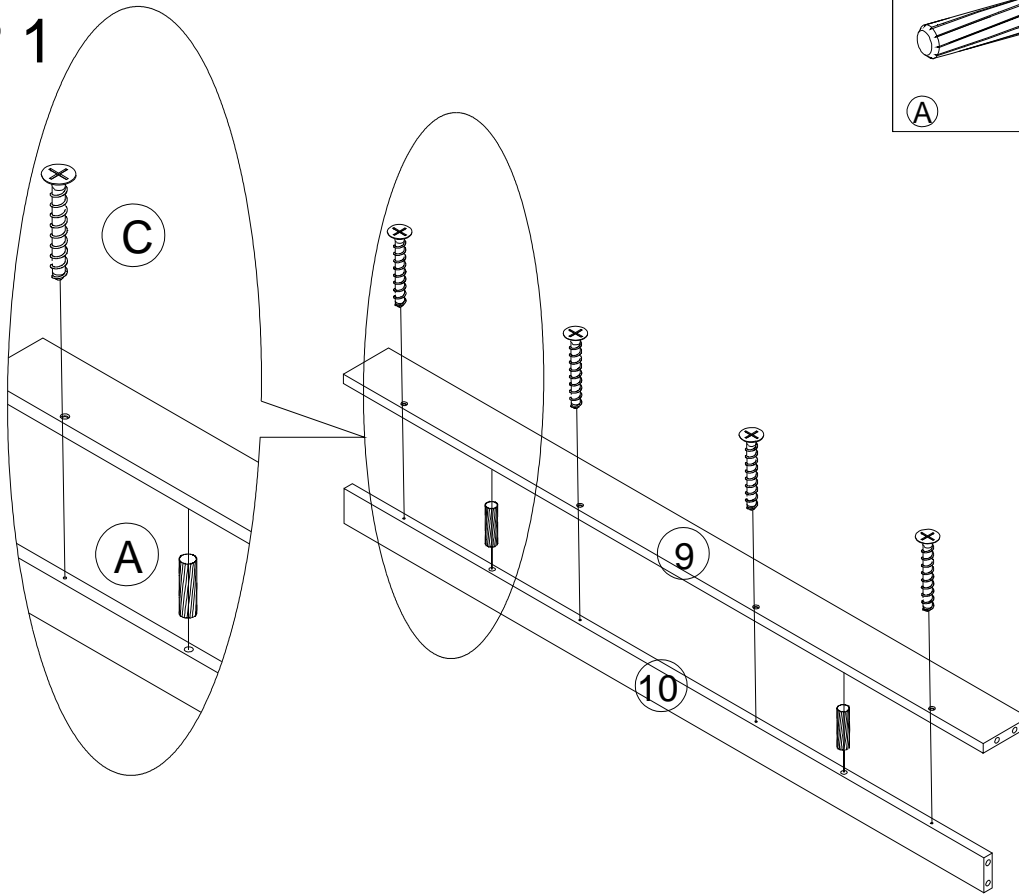
Insert the wood dowel [C] at least half way by tapping lightly with a rubber mallet, IF NECESSARY.



⚠ WARNING

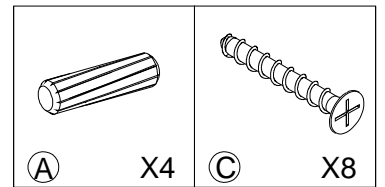
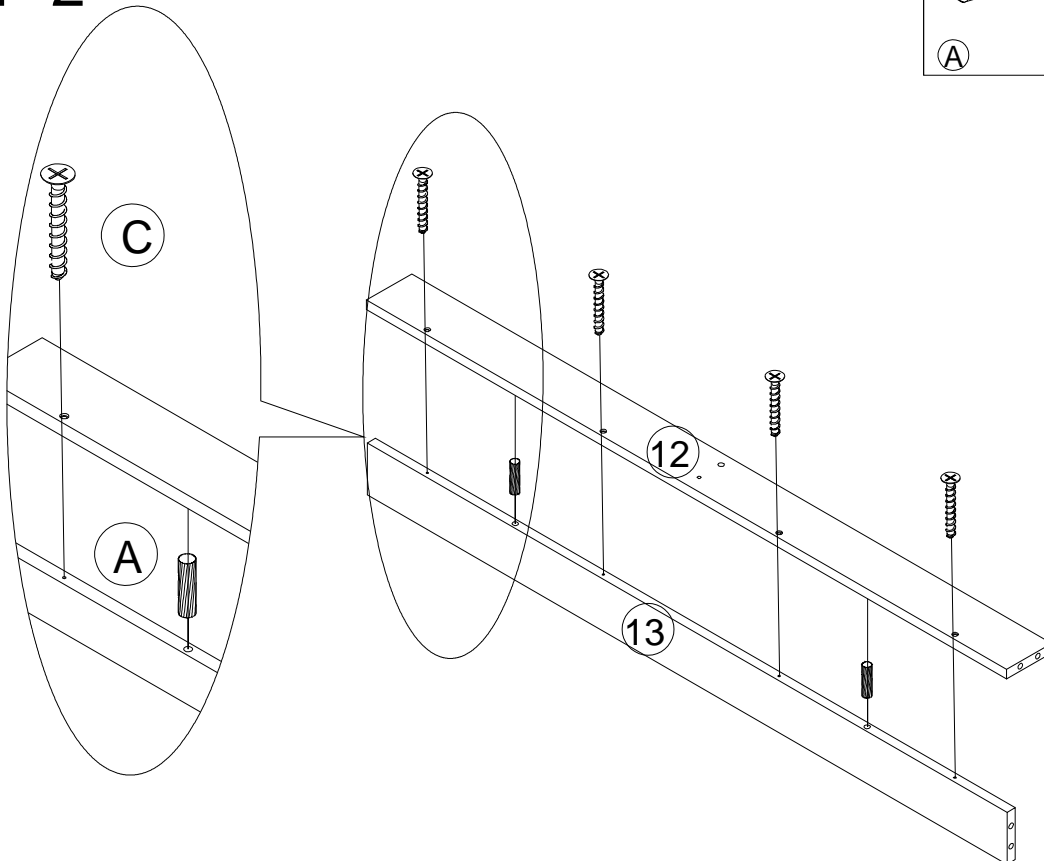
- Unit must be placed on a level surface or leveled with included hardware (when applicable).
- Do not sit or stand on or allow children to climb, sit or stand on the assembled product.
- For safety reasons, it is imperative that this unit be mounted to the wall.
- Do not use without installing the tip restraint.
- Unit can tip over causing severe injury or death.
- Do not exceed the recommended weight limits.
- Evenly distribute the weight on each level and always keep the heavier loads on the bottom.
- Before cutting, drilling or hammering into any wall or floor surface, verify the location of electrical, plumbing and gas lines. Cutting may cause serious injury.

STEP 1



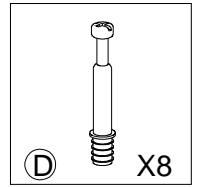
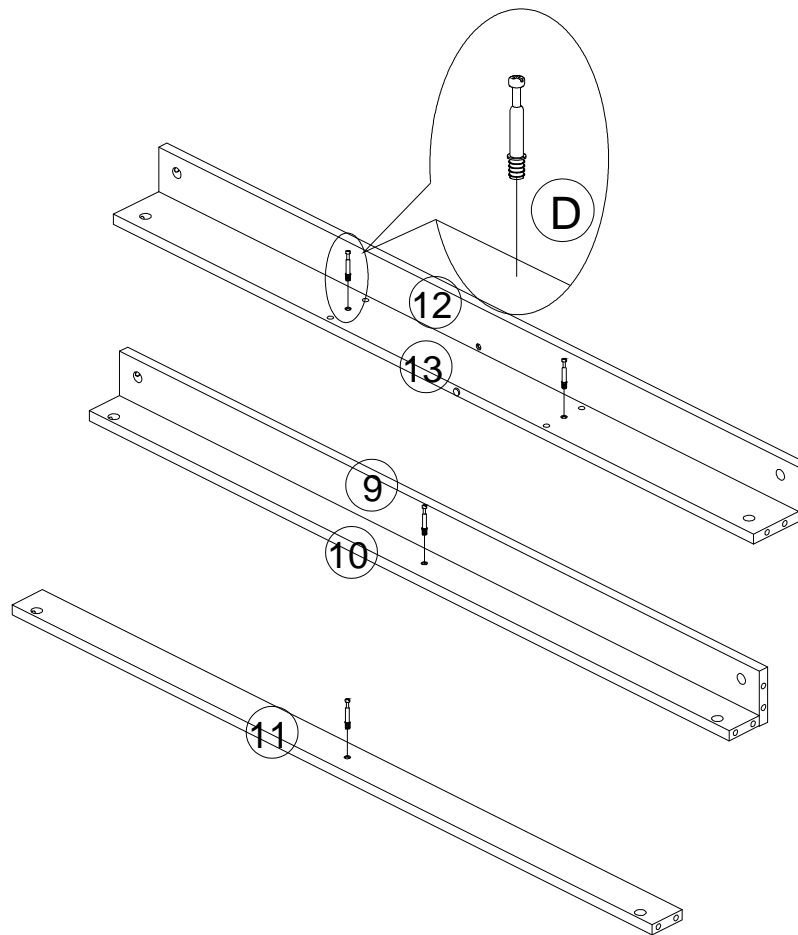
X2

STEP 2



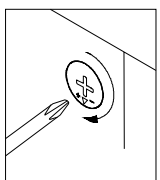
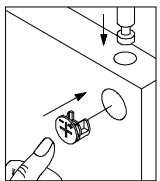
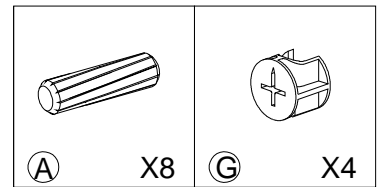
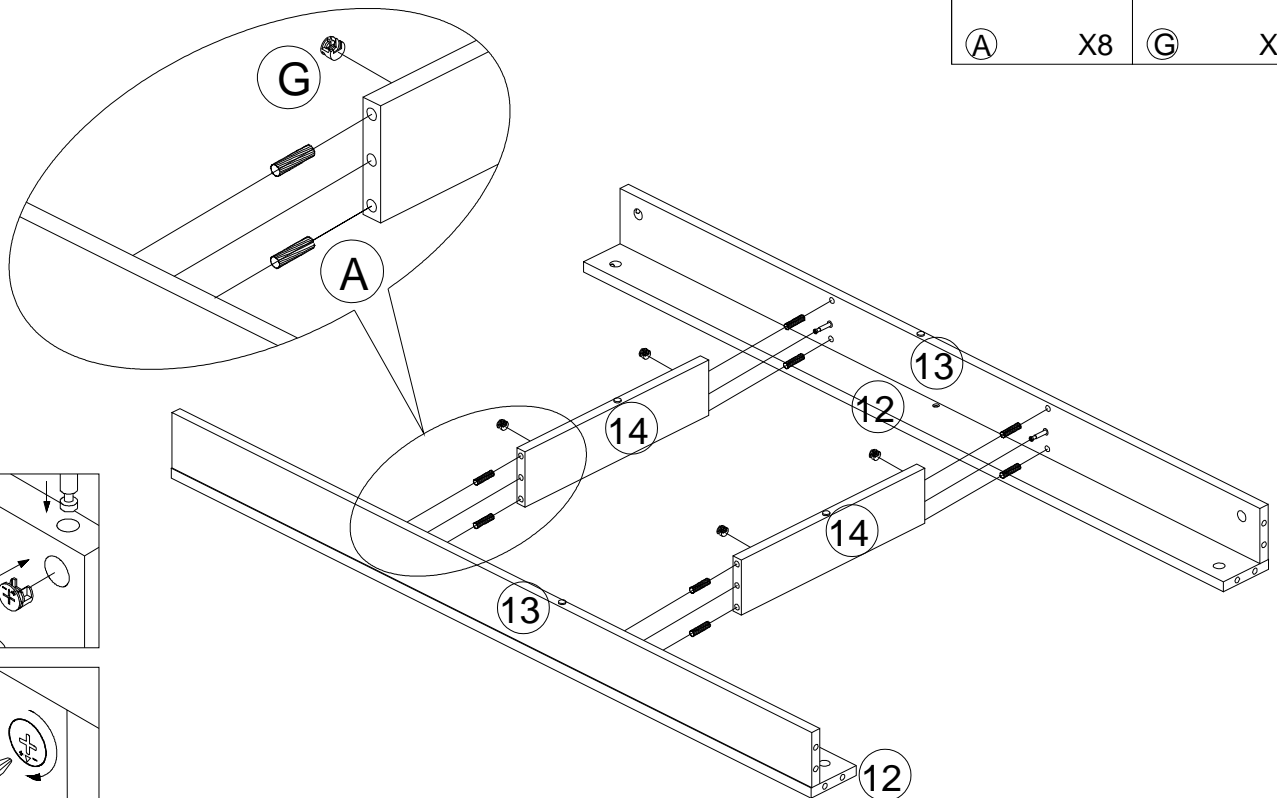
X2

STEP 3

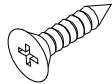
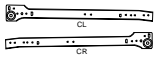


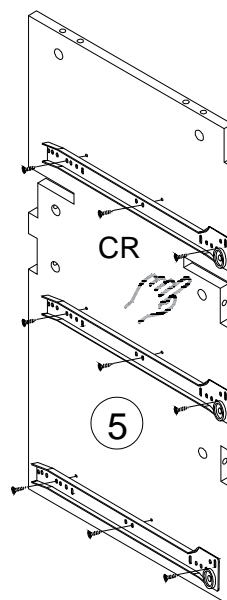
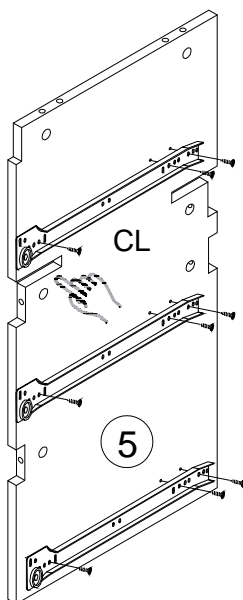
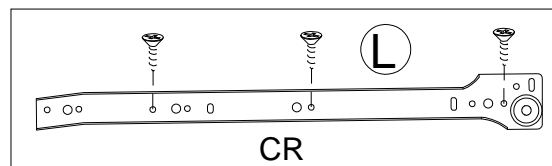
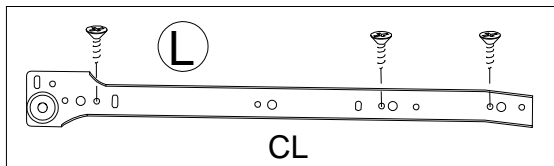
X2

STEP 4

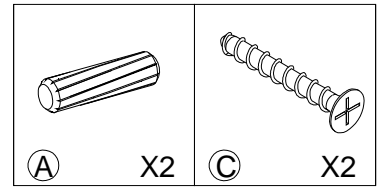
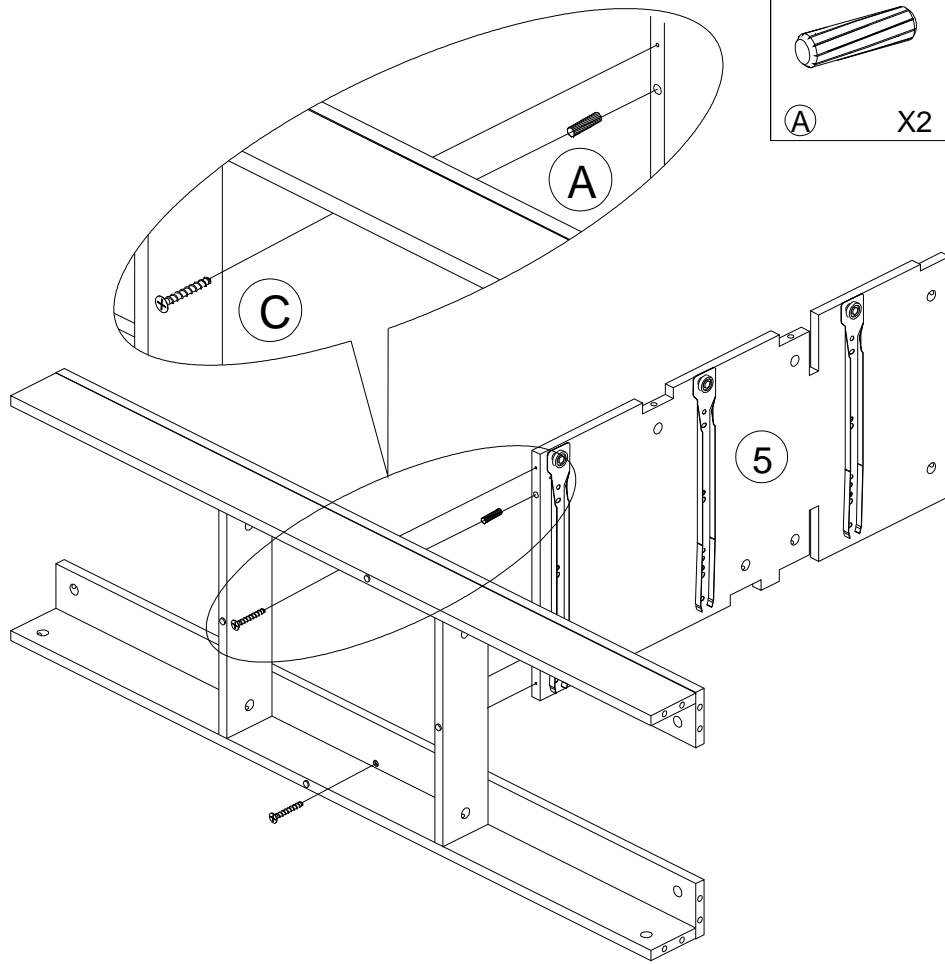


STEP 5

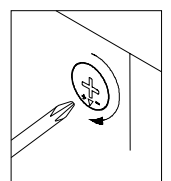
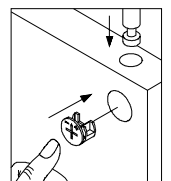
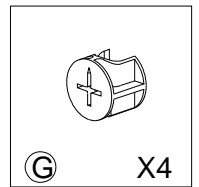
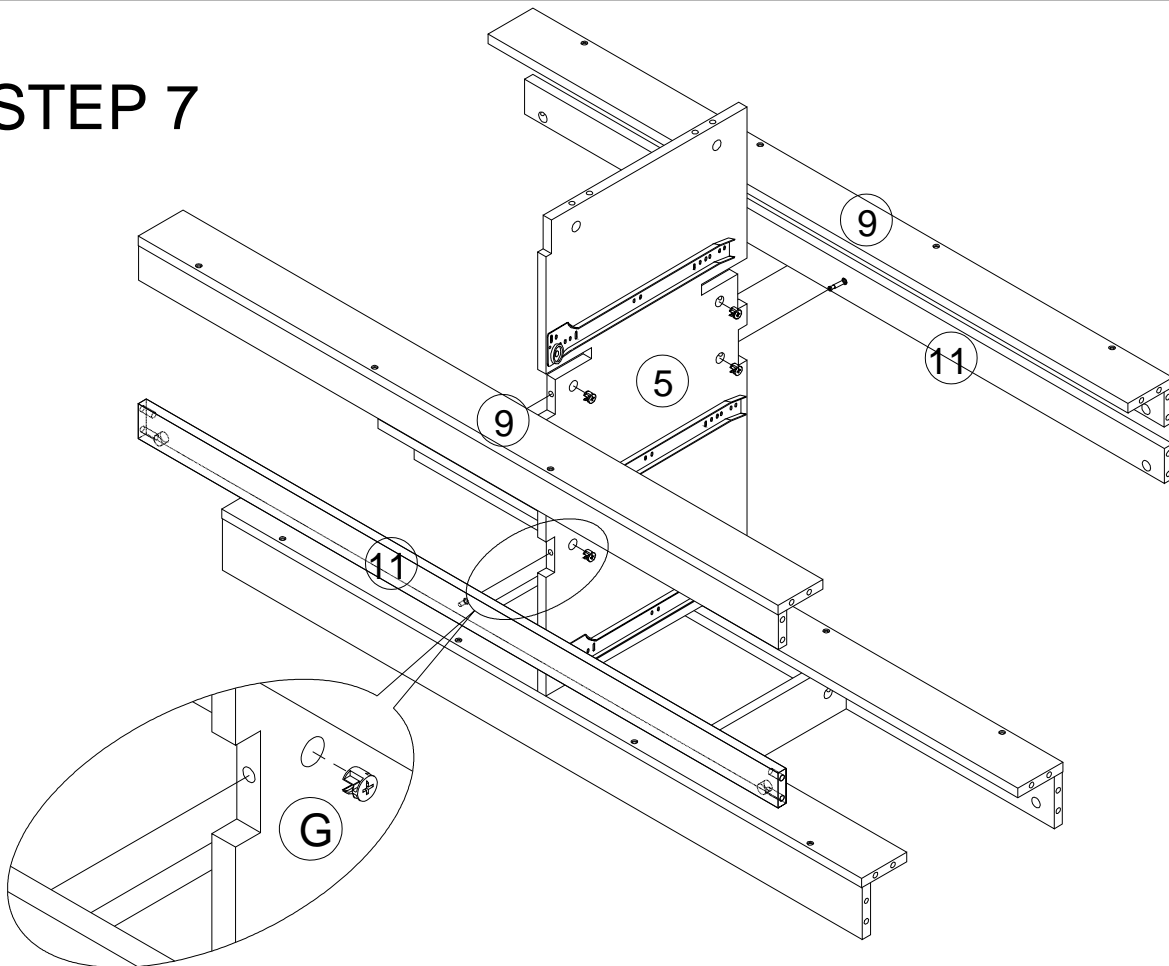
	
(B) X18	(L) X3



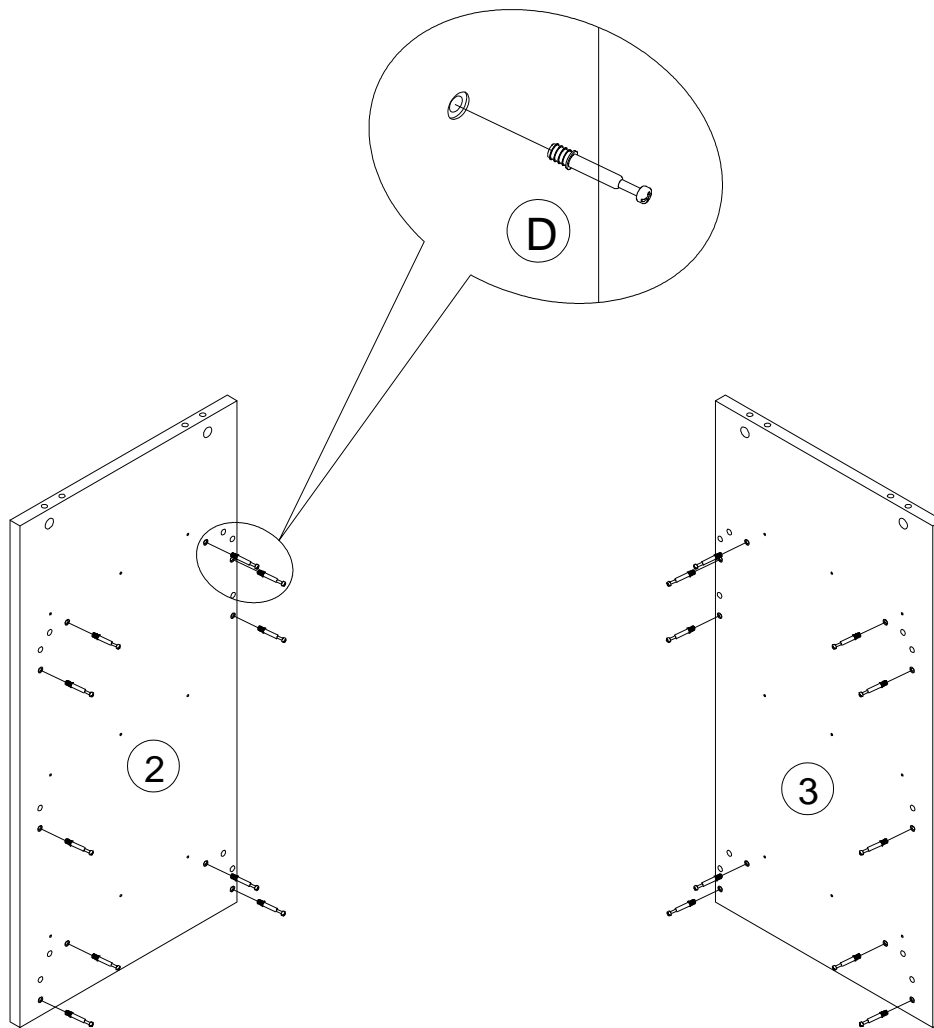
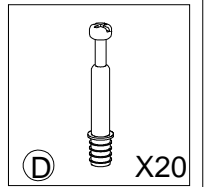
STEP 6



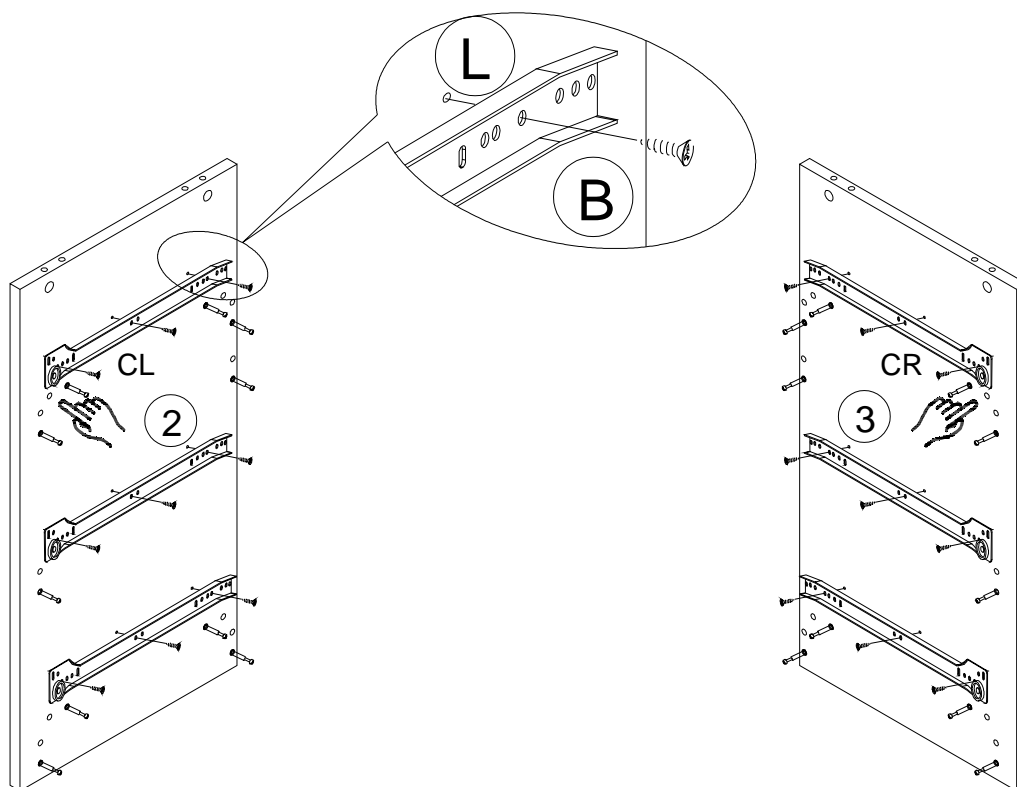
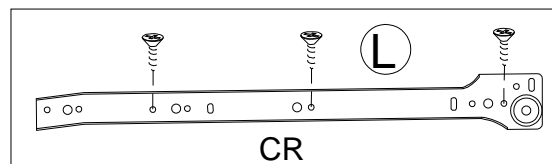
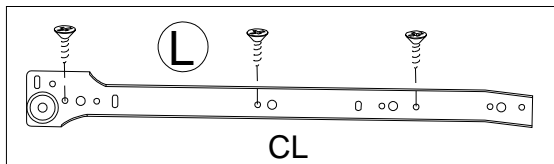
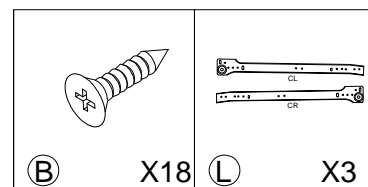
STEP 7



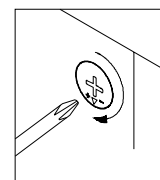
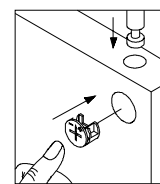
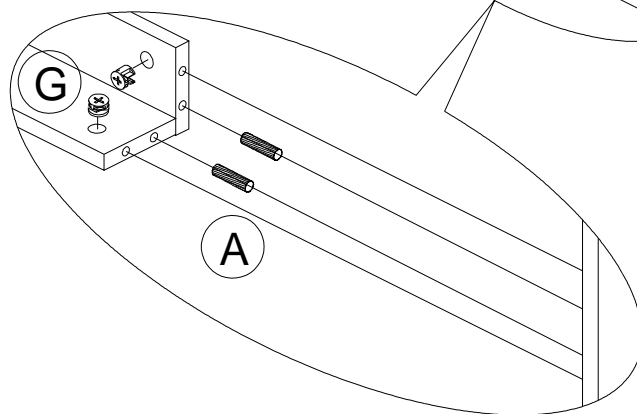
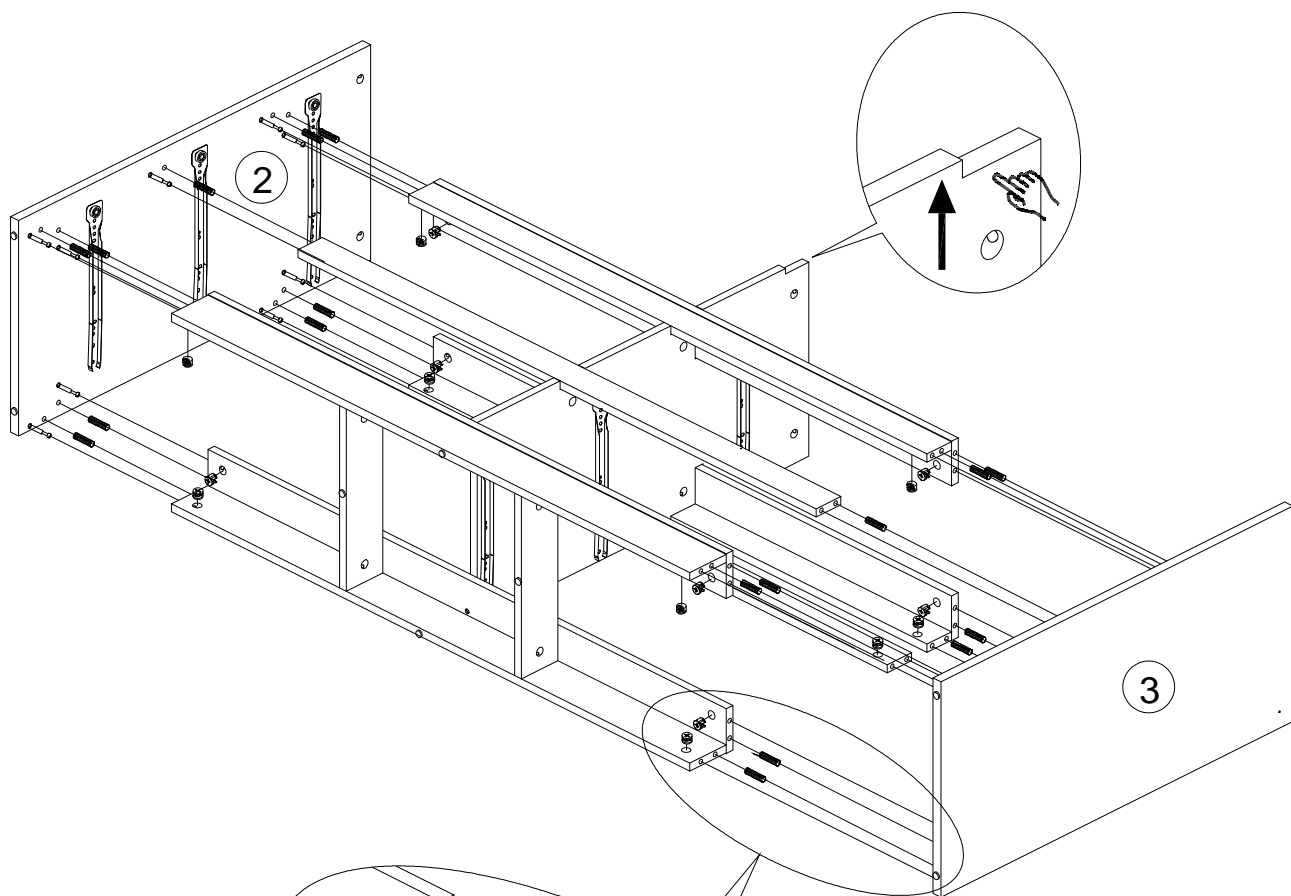
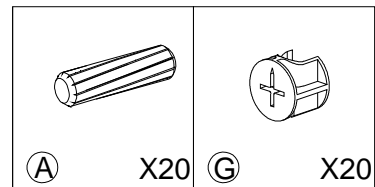
STEP 8



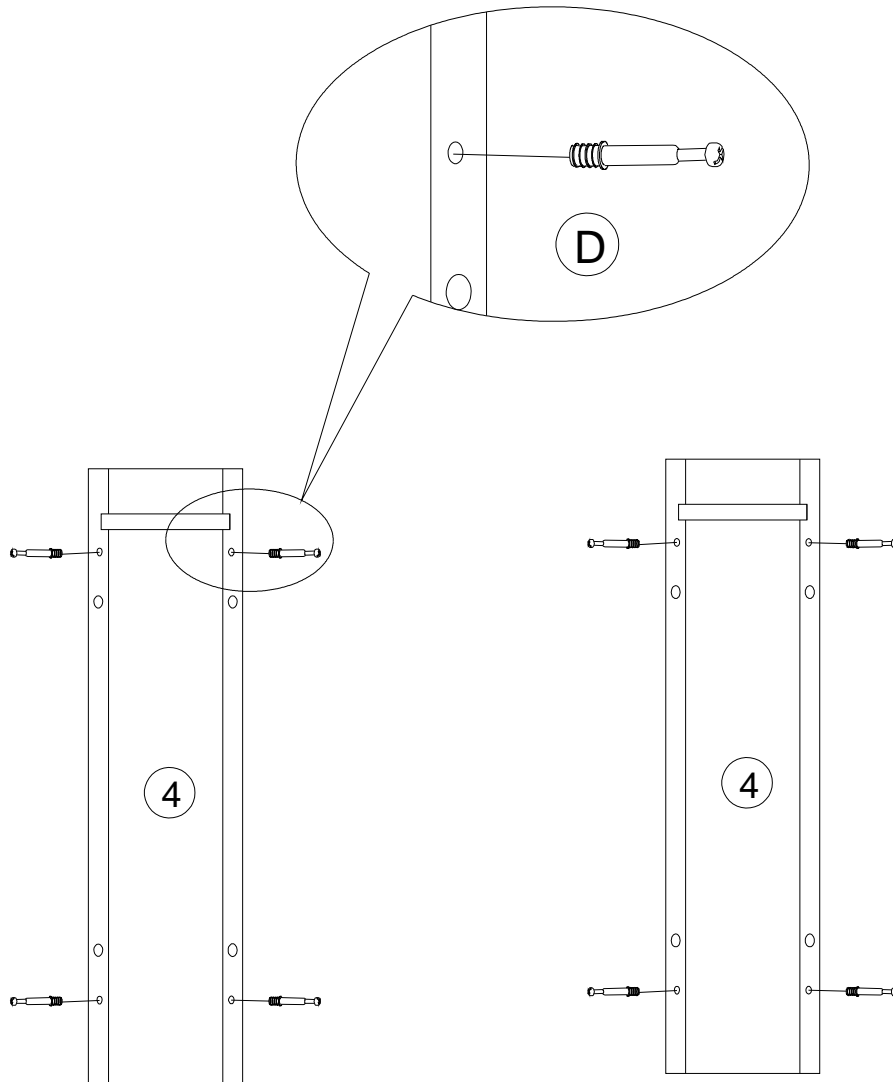
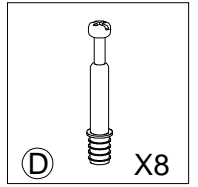
STEP 9



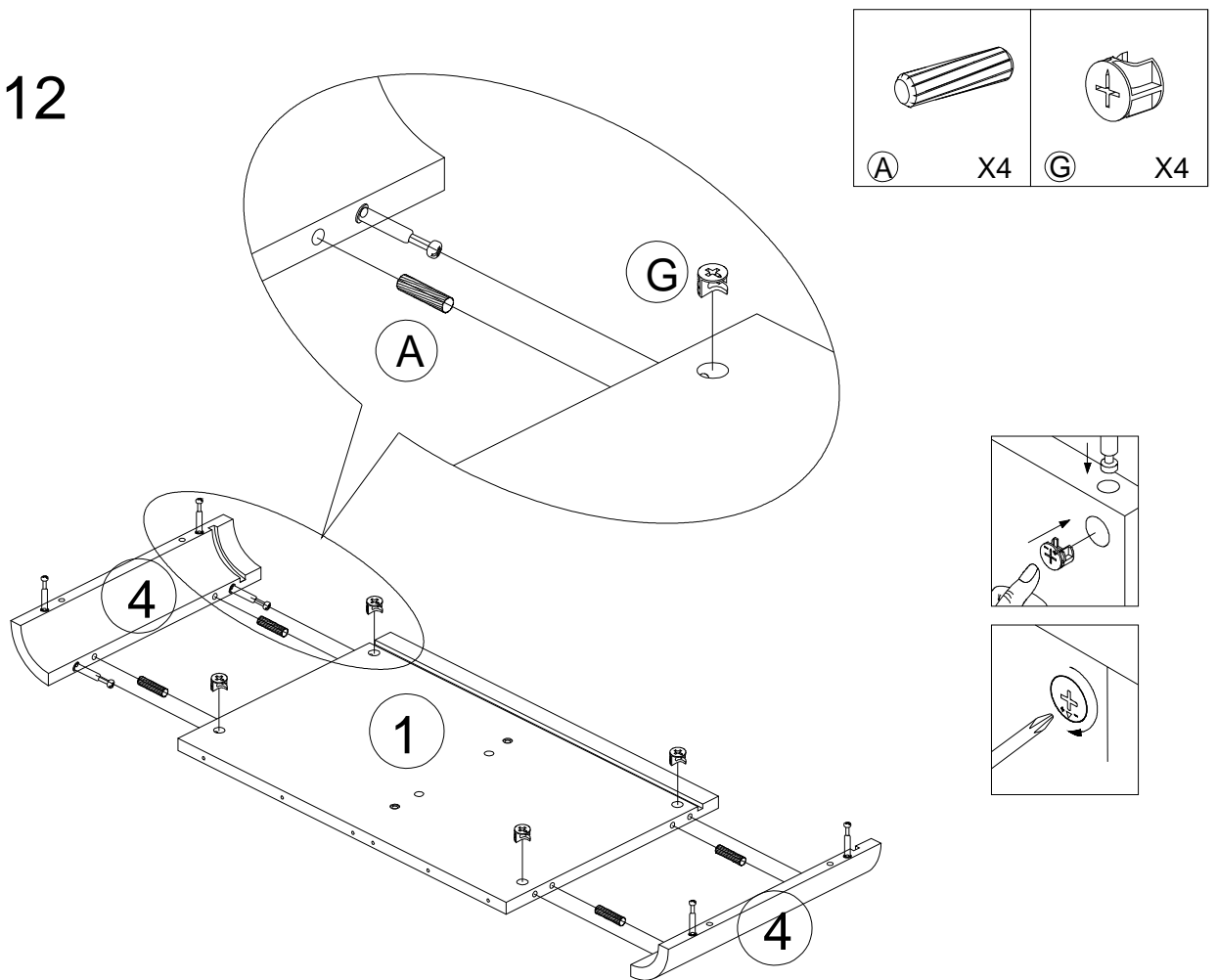
STEP 10



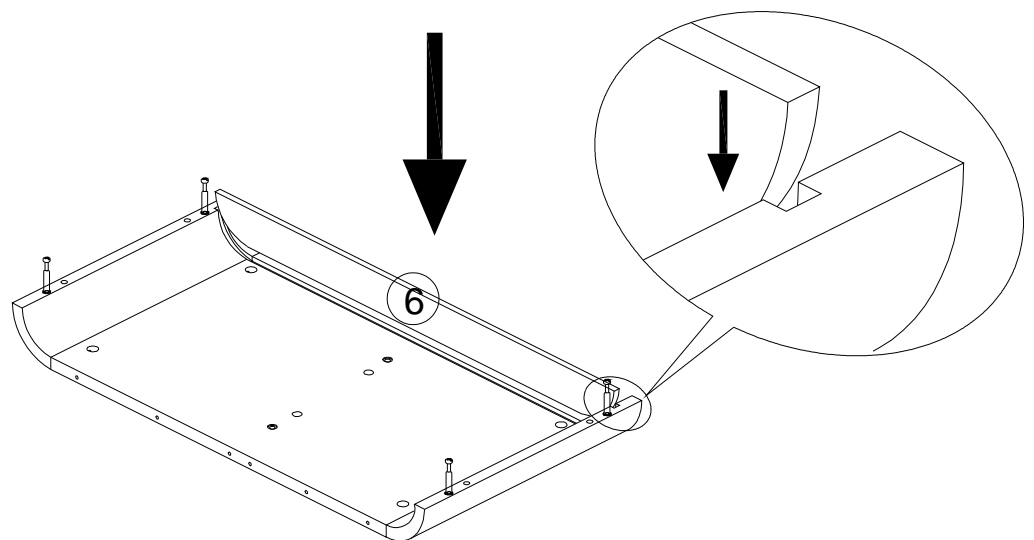
STEP 11



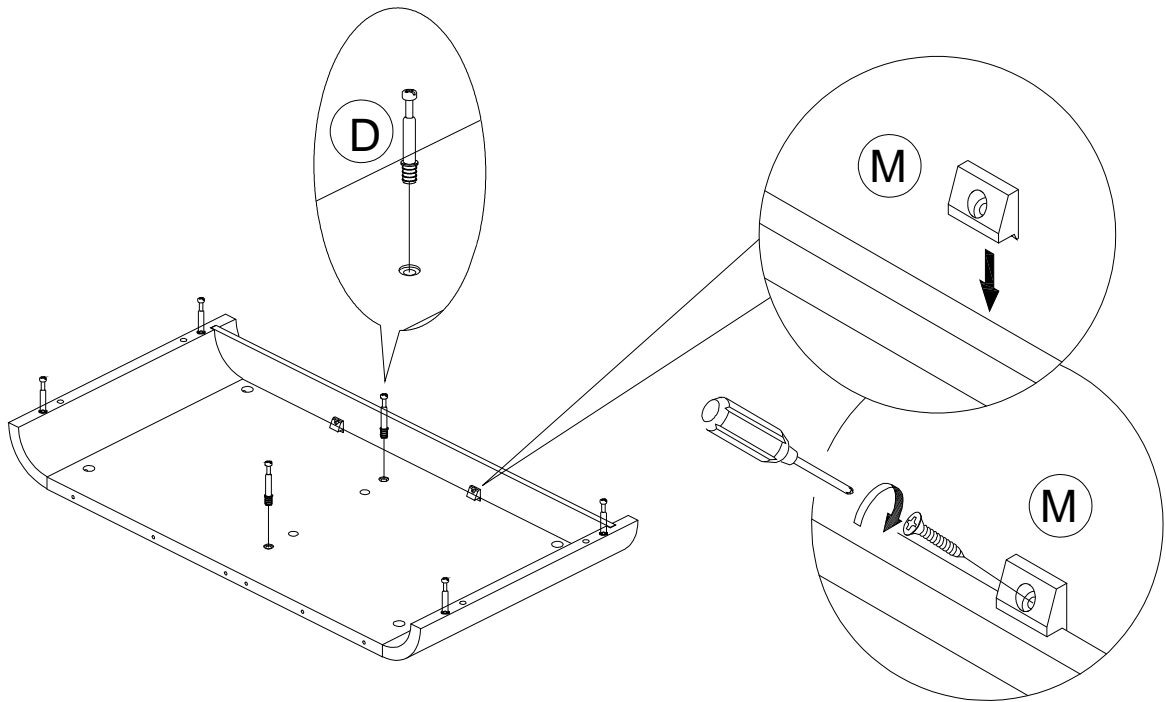
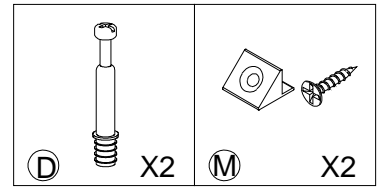
STEP 12



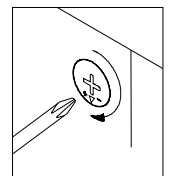
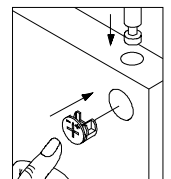
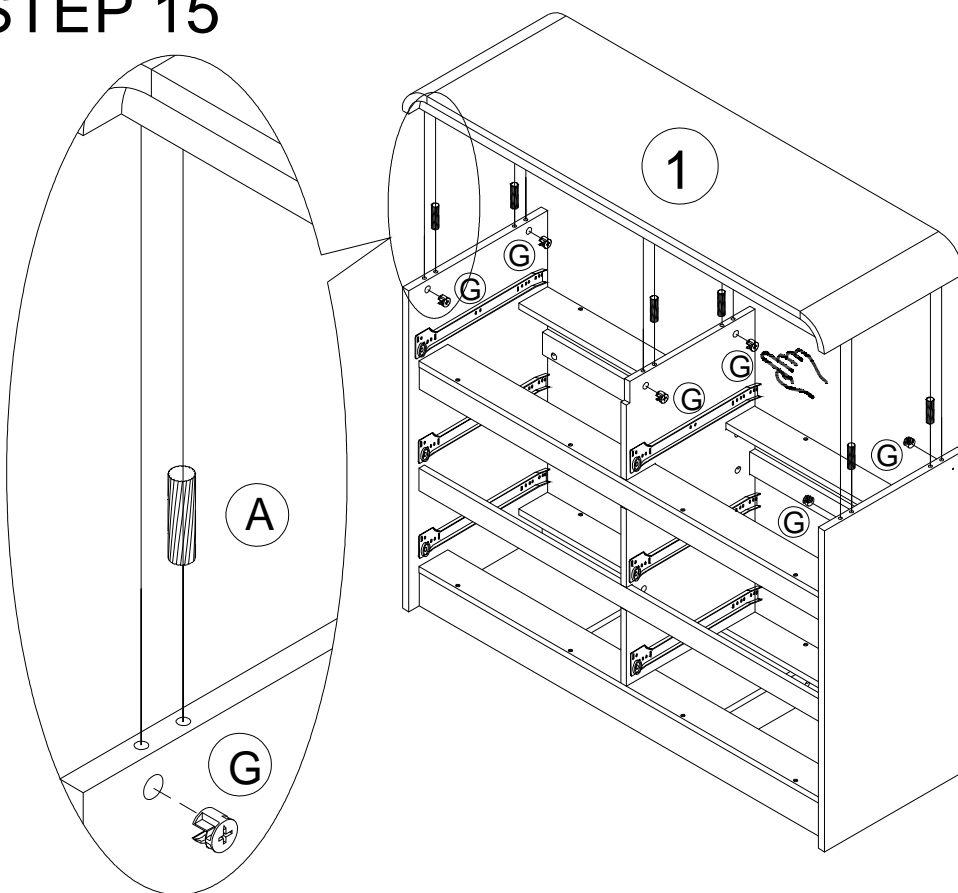
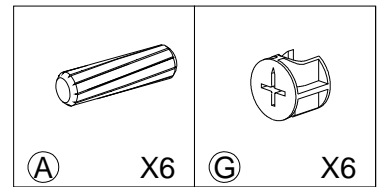
STEP 13



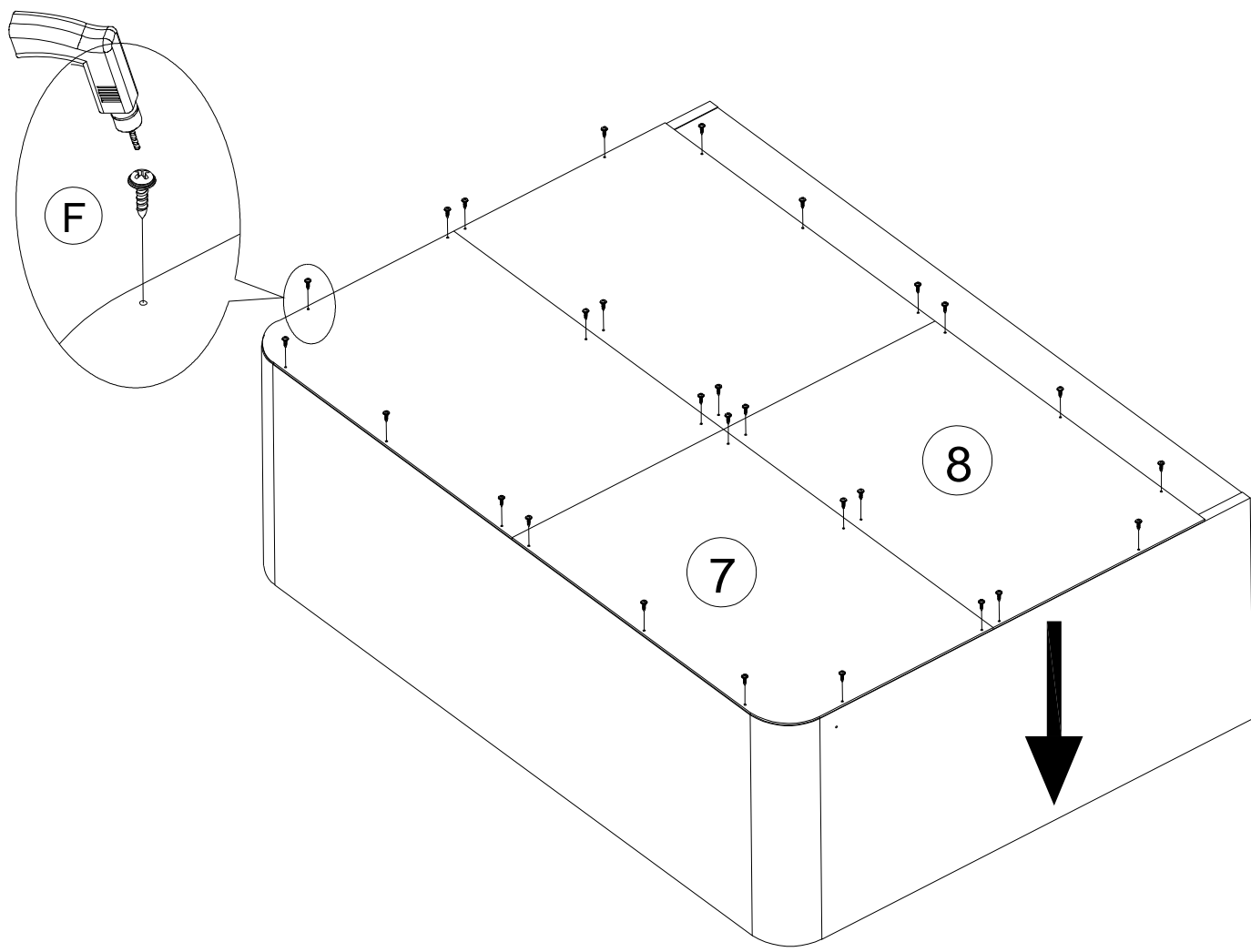
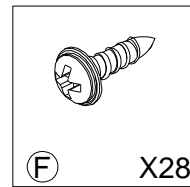
STEP 14



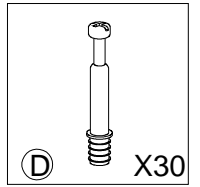
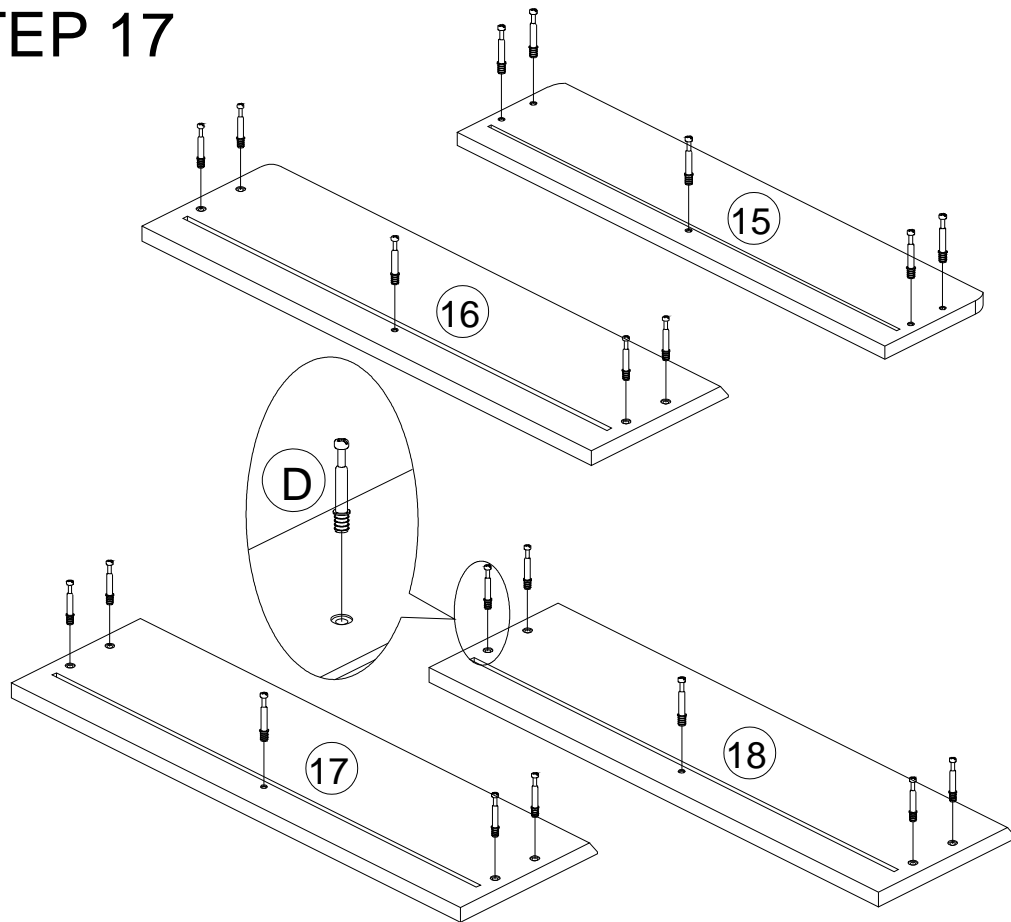
STEP 15



STEP 16



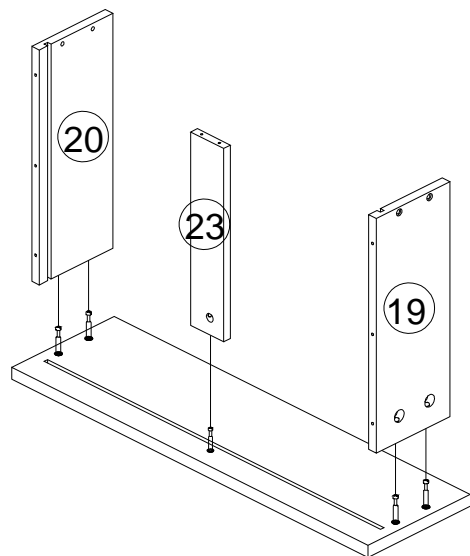
STEP 17



X1

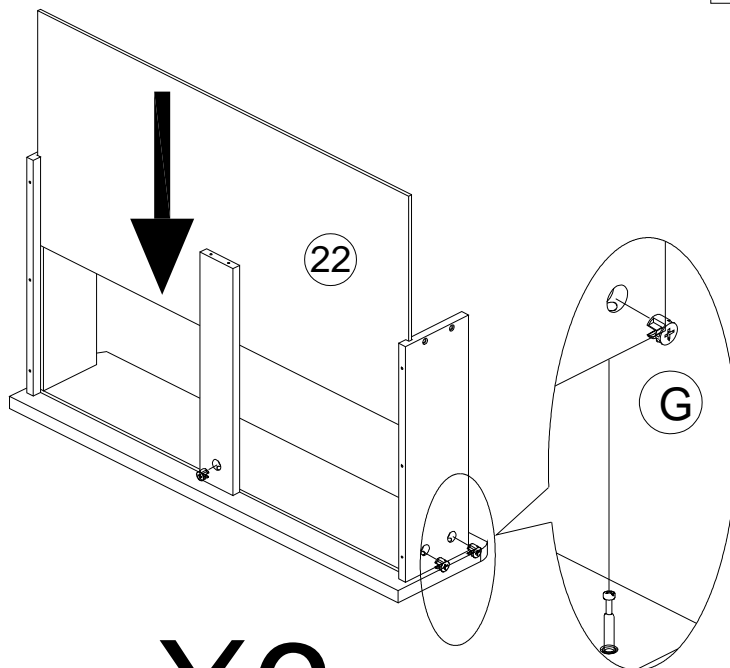
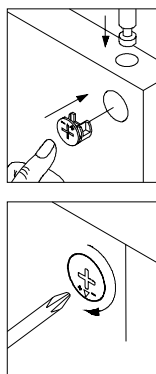
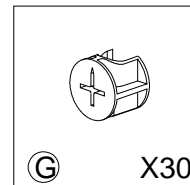
X2

STEP 18



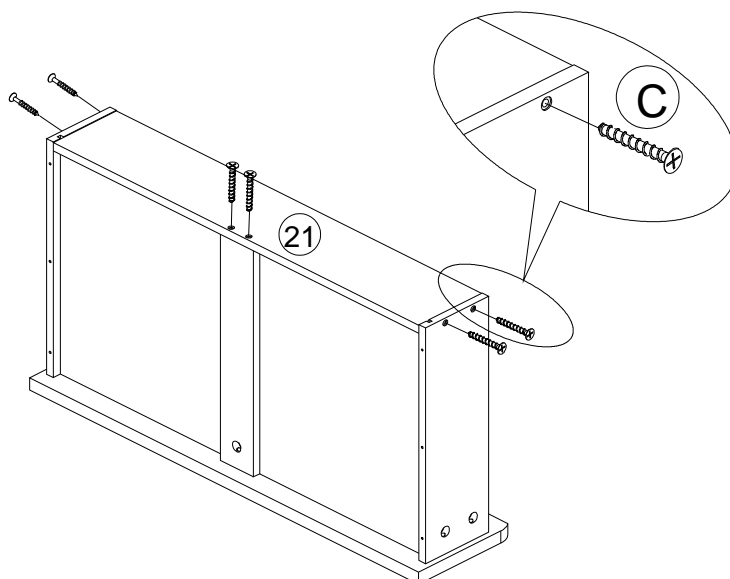
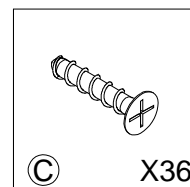
X6

STEP 19



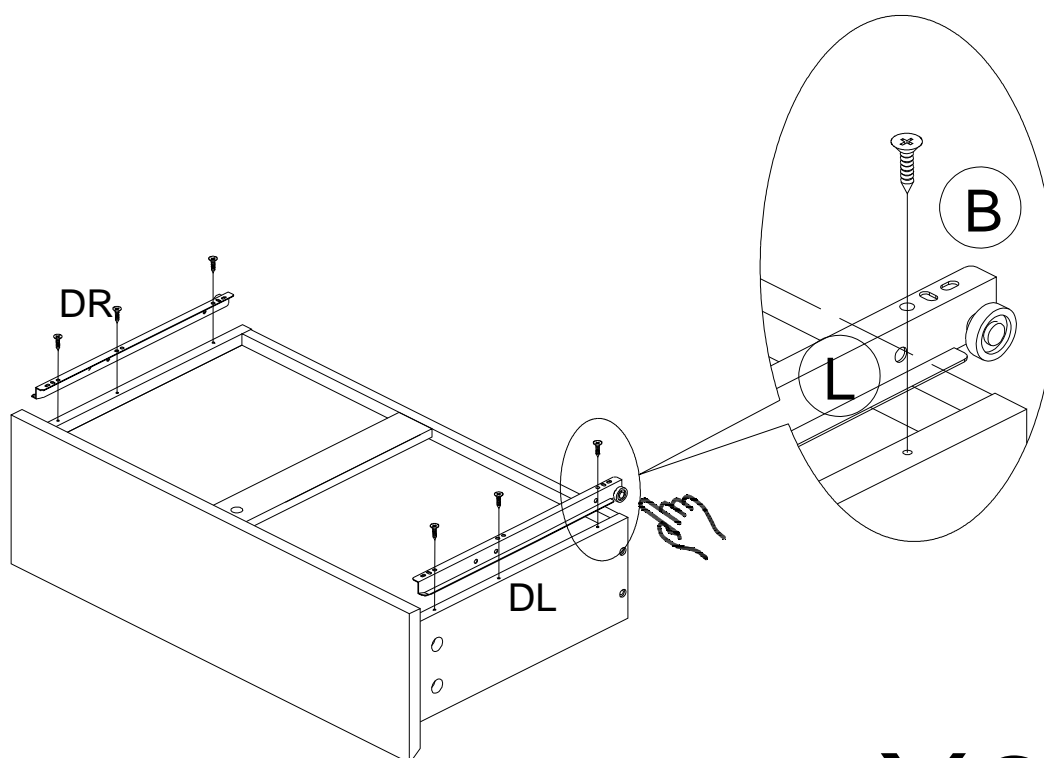
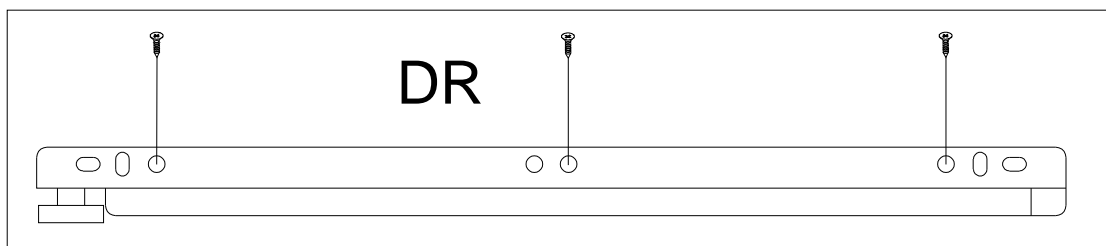
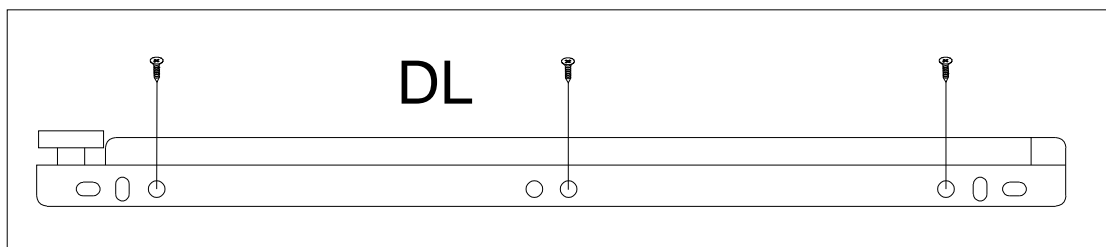
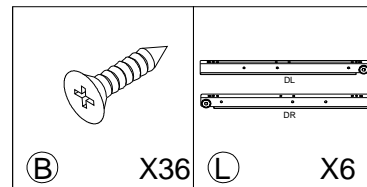
X6

STEP 20



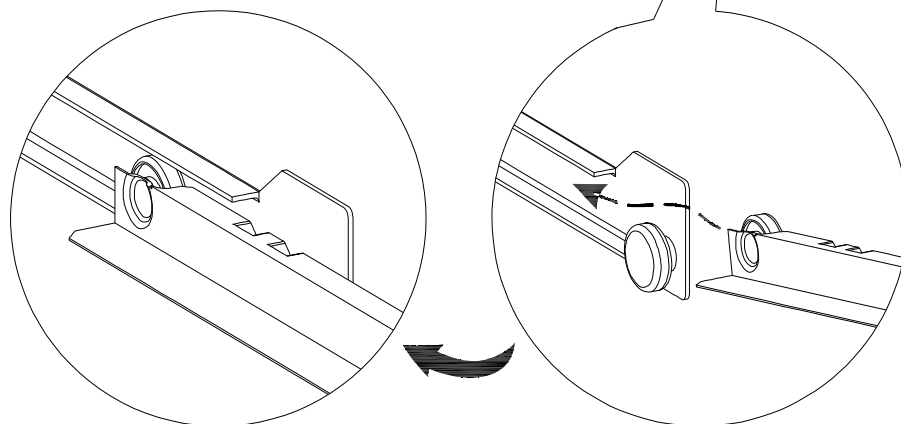
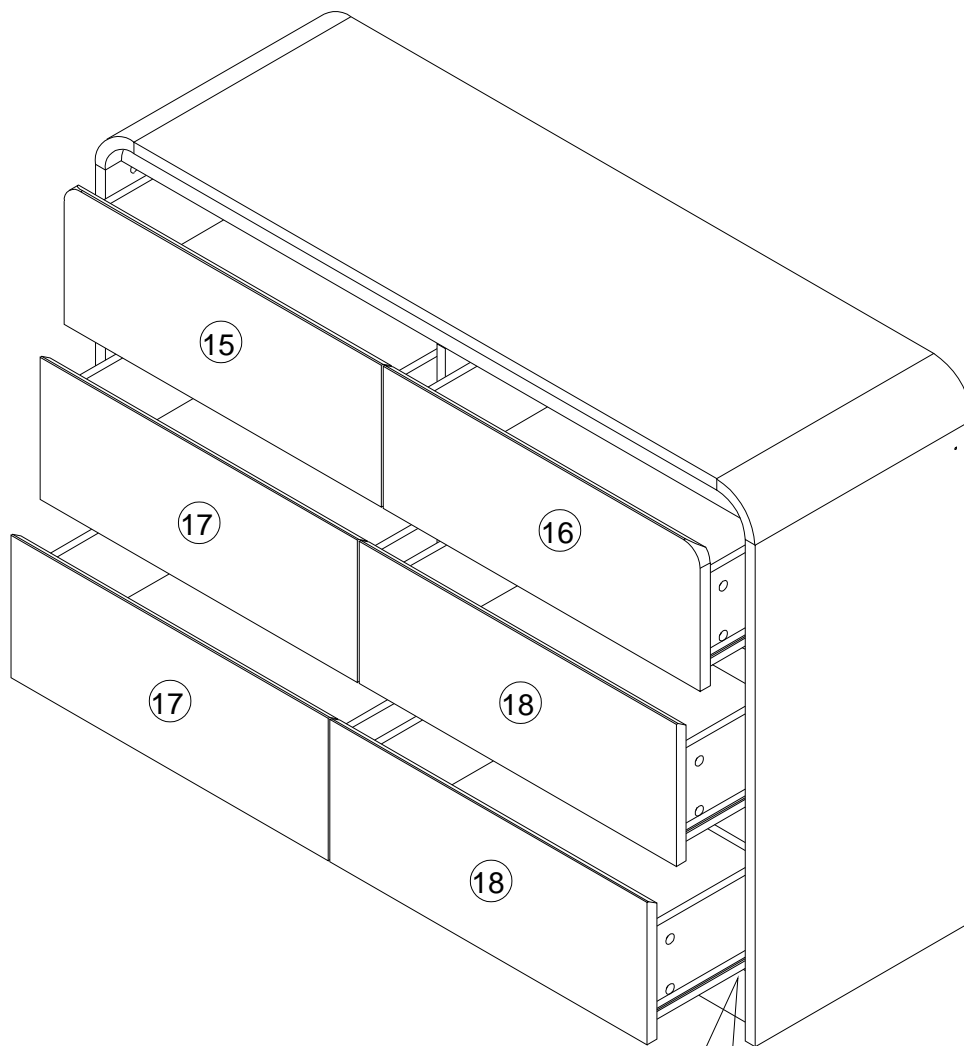
X6

STEP 21

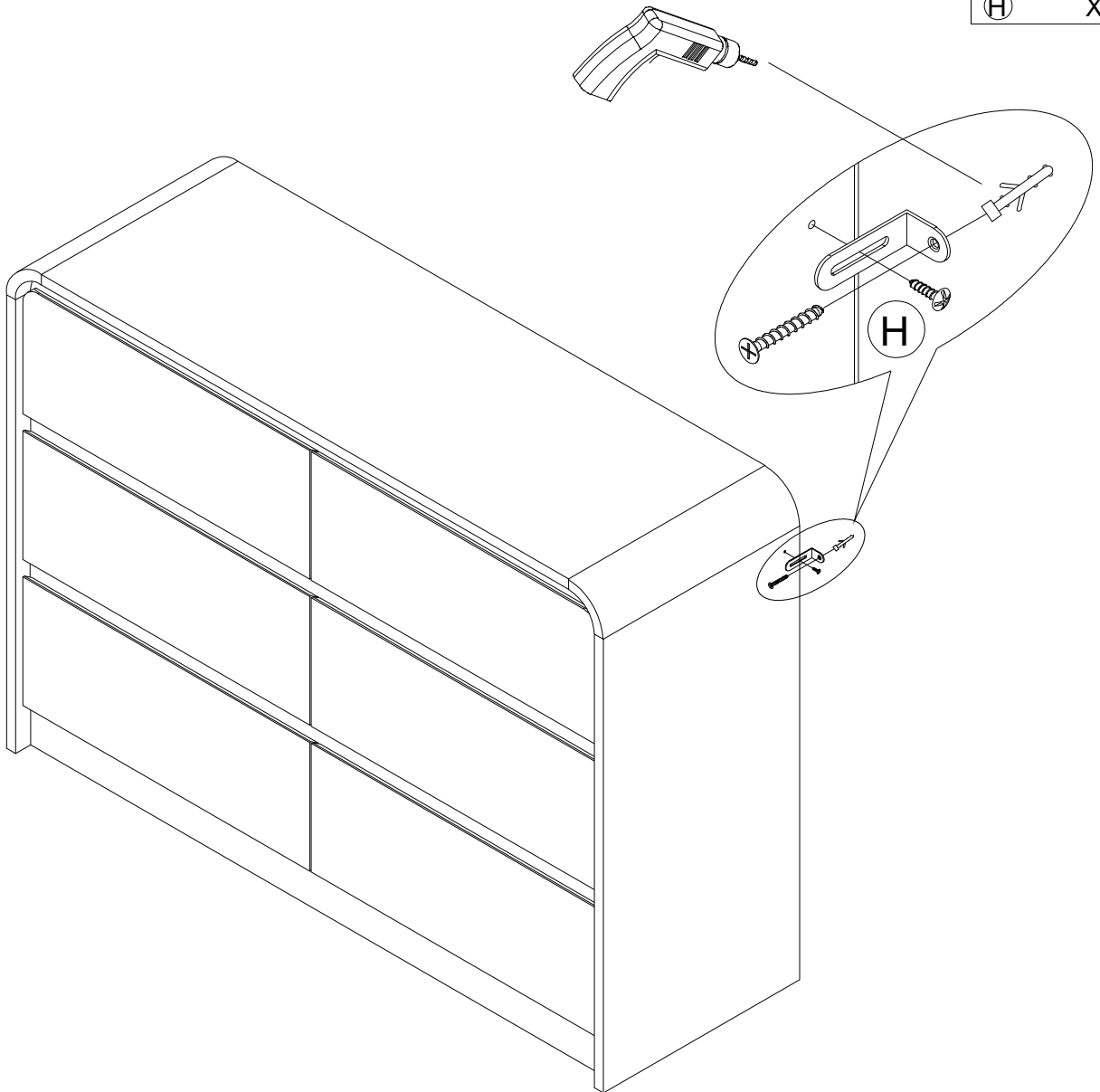
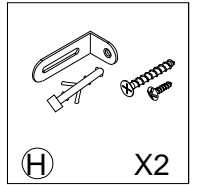


X6

STEP 22



STEP 23



▲ WARNING	
	Children have died from furniture tipover. To reduce the risk of furniture tipover:
	<ul style="list-style-type: none">• ALWAYS install anti-tip device provided.• NEVER put a TV on this product.• NEVER allow children to stand, climb or hang on any drawers, doors, or shelves.• NEVER open more than one drawer at a time.• Place heaviest items in the lowest drawers.
<i>this is a permanent label. Do not remove!</i>	