















# YMX-56

## Accessories list(sitting sofa)


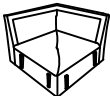
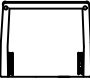


### Carton 1/3

<p>A</p>  <p>Left seat frame(1)</p>	<p>B</p>  <p>Left backrest(1)</p>	<p>L</p>  <p>Left armrest(1)</p>	<p>D</p>  <p>Back cushion(2)</p>	<p>E</p>  <p>Sofa legs(8)</p>
<p>F</p>  <p>50# Metal plate(3)</p>	<p>G</p>  <p>6*25 Screw(6)</p>	<p>H</p>  <p>6*16 Gasket(6)</p>	<p>I</p>  <p>M4*65*23 Wrench(1)</p>	

### Carton 2/3

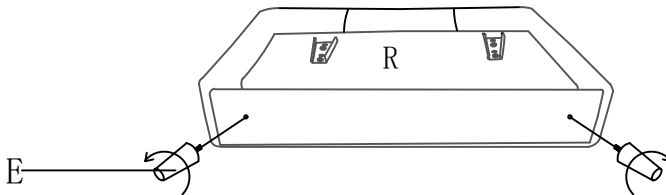
<p>J</p>  <p>Right seat frame(1)</p>	<p>K</p>  <p>Right backrest(1)</p>	<p>R</p>  <p>Right armrest(1)</p>	<p>D</p>  <p>Back cushion(2)</p>	<p>E</p>  <p>Sofa legs(6)</p>
--	---	--	---	--

### Carton 3/3

<p>M</p>  <p>Single seat frame(1)</p>	<p>N</p>  <p>Corner seat frame(1)</p>	<p>O</p>  <p>Single backrest(1)</p>	<p>P</p>  <p>Corner back cushion(1)</p>	<p>D</p>  <p>Back cushion(2)</p>
--	--	--	--	--

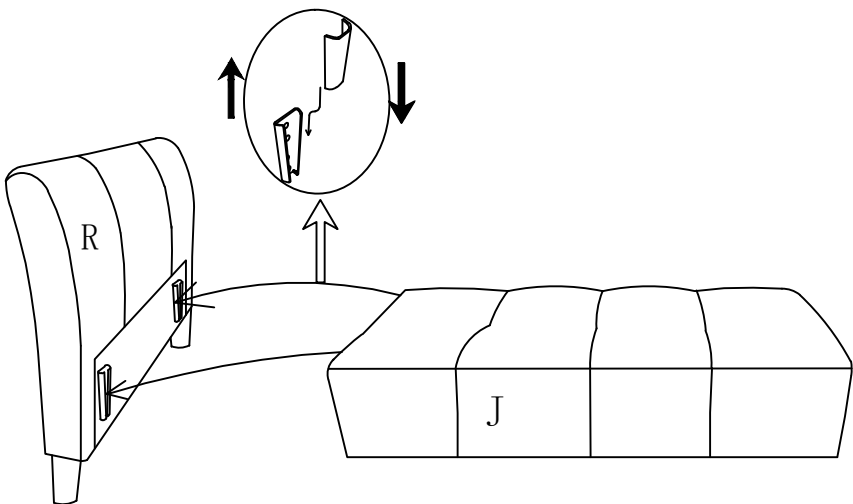
STEP 1:

Install sofa legs to the right armrest



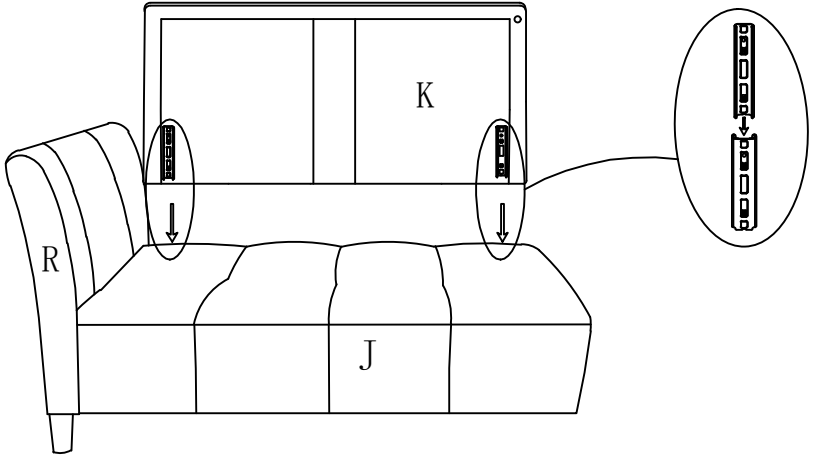
STEP2:

Insert the seat frame into the right armrest



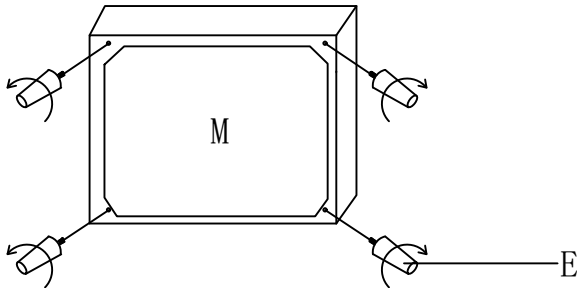
**STEP3:**

Insert the backrest into the right sofa frame



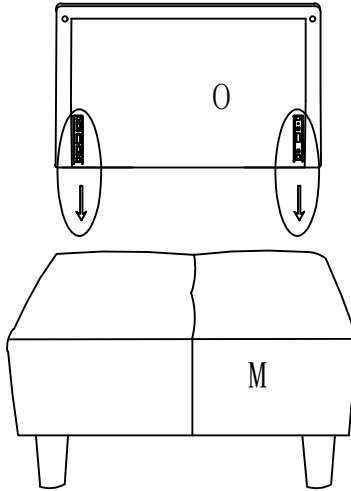
**STEP4:**

Install the single seat frame legs



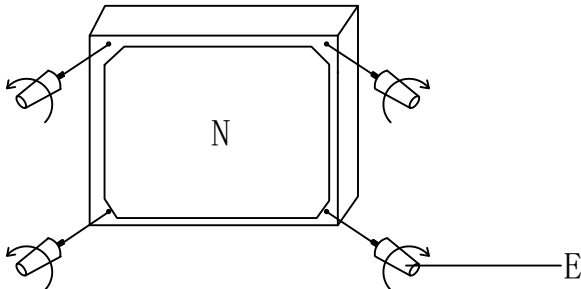
STEP5:

Insert the backrest into the single seat frame



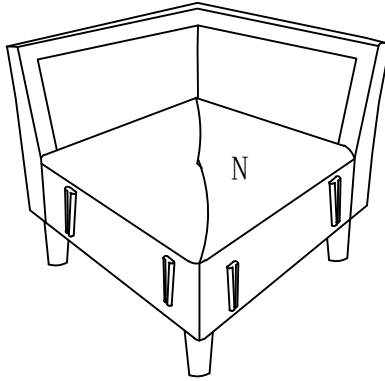
STEP6:

Install the corner seat frame legs



STEP7:

Corner seat frame assembly completed



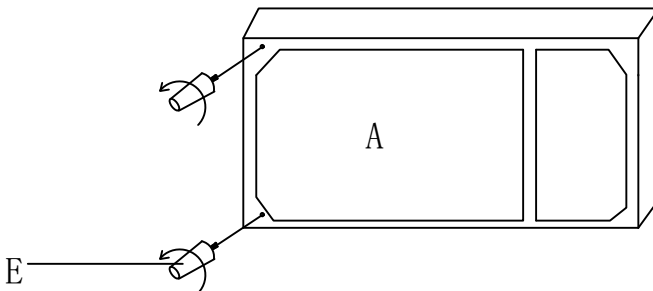
STEP8:

Install sofa legs to the left armrest



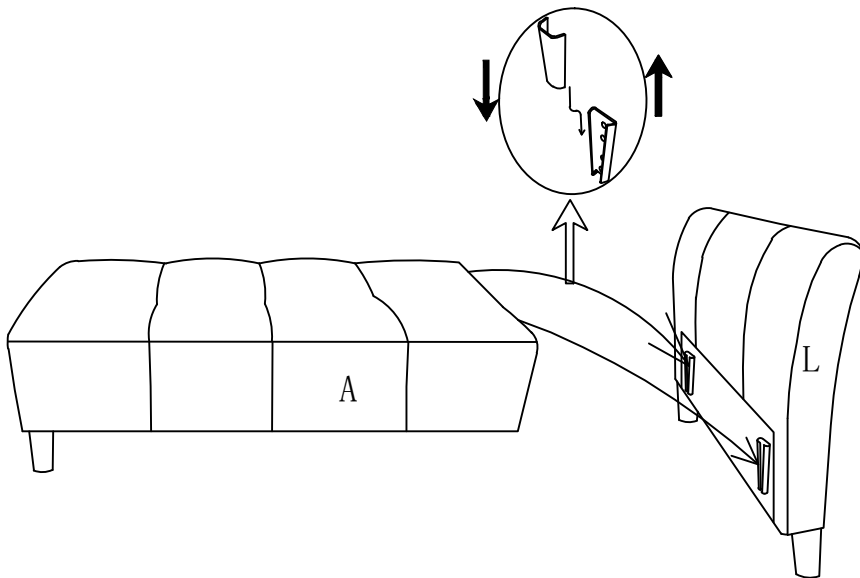
STEP9:

Install the left seat frame sofa legs



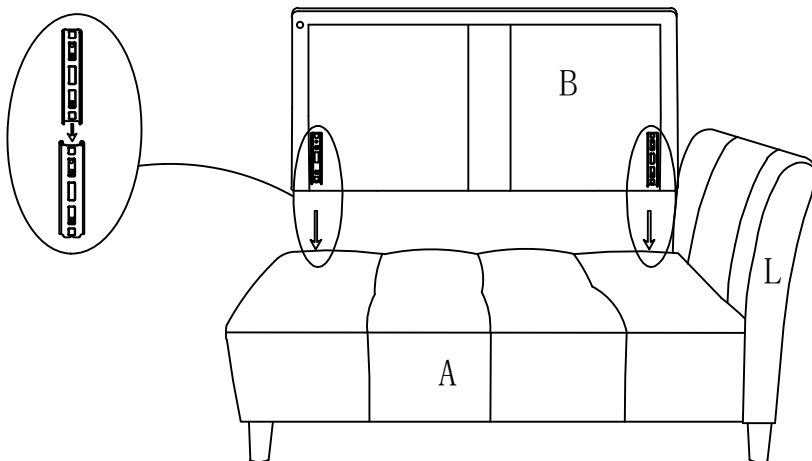
**STEP10:**

Insert the seat frame into the left armrest



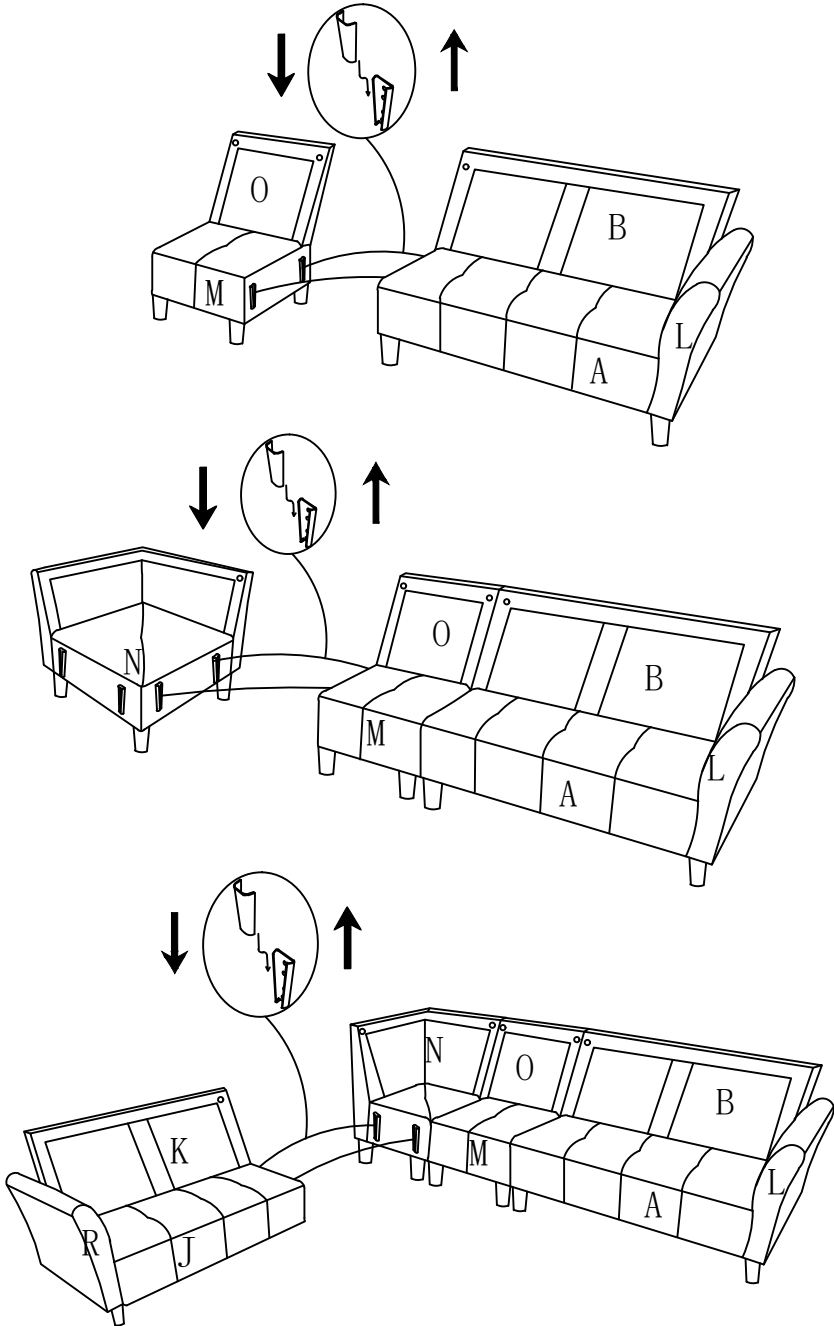
**STEP11:**

Insert the backrest into the left sofa frame

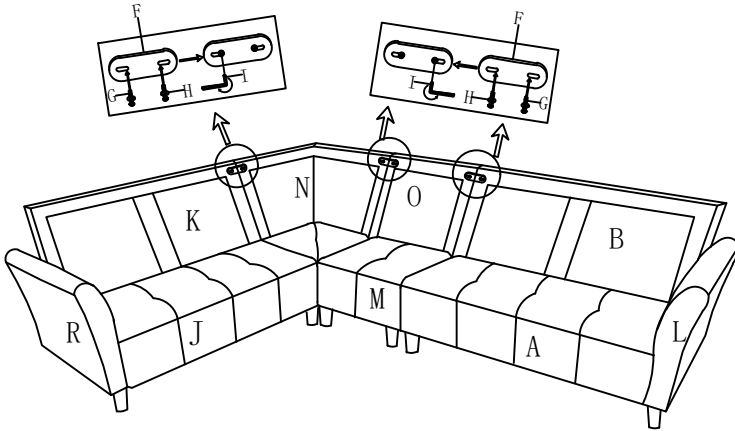


STEP12:

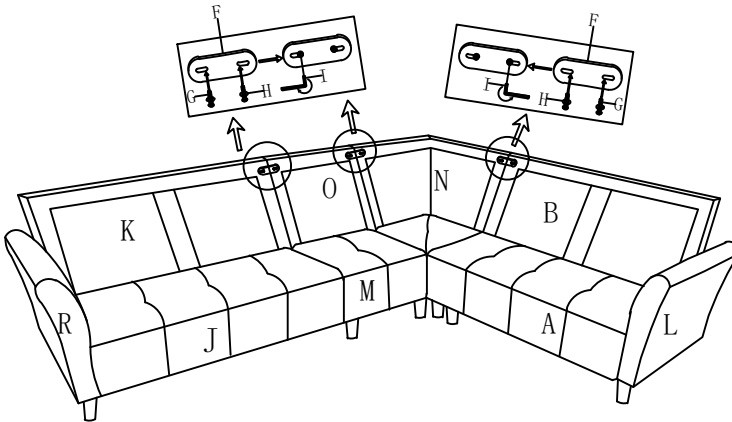
Insert the single seat frame into the left seat frame  
Insert the corner seat frame into the single seat frame  
Insert the right seat frame into the corner seat frame



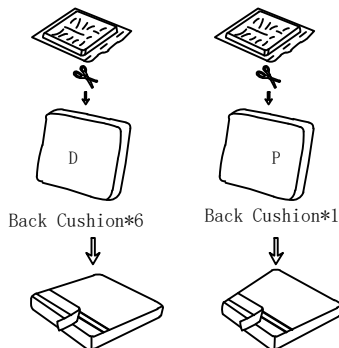
STEP13: Lock the backrest with the metal plate



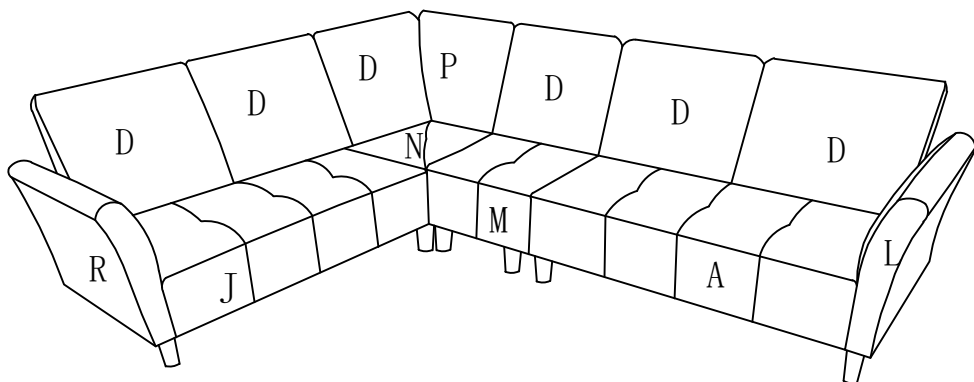
STEP14: The single seat module is reversible, you could put it also on the left side like below



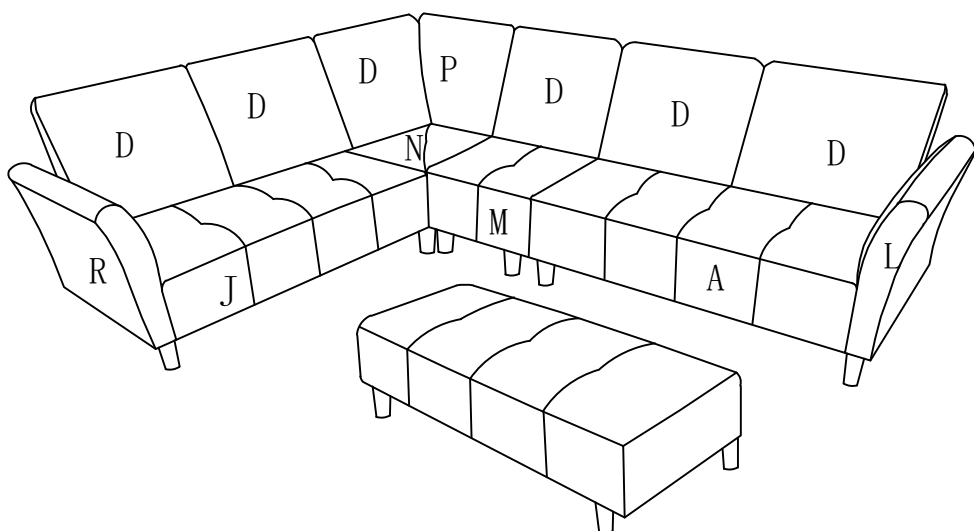
STEP15: Cut the compression bag



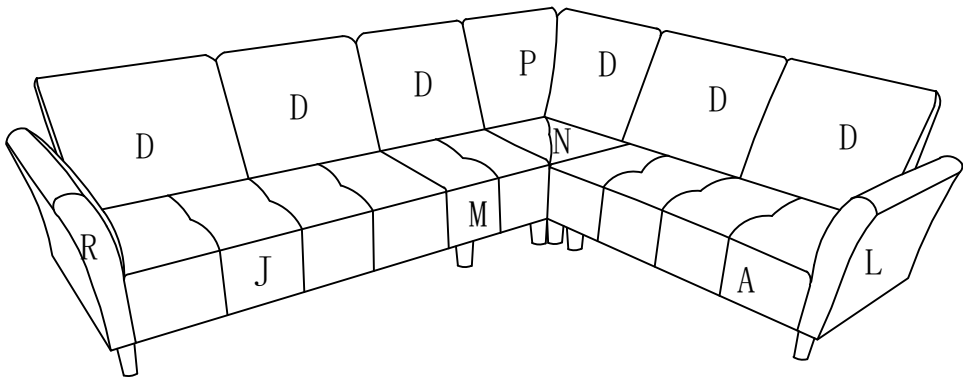
STEP16: Assembly completed



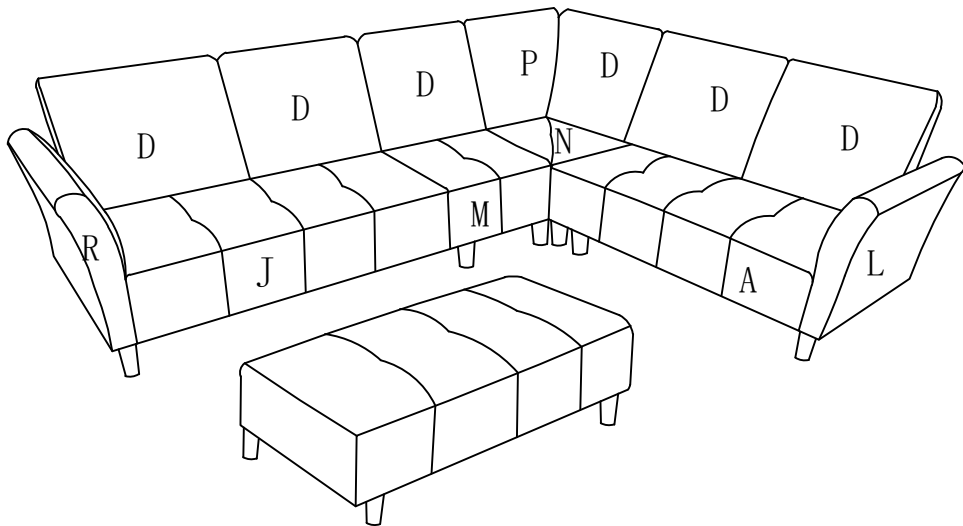
STEP17: If you bought the sofa with long ottoman, product assembled like below



STEP18: Assembly completed



STEP19: If you bought the sofa with long ottoman, product assembled like below



Customer Support E-mail Address: [service-jarenie@hotmail.com](mailto:service-jarenie@hotmail.com)