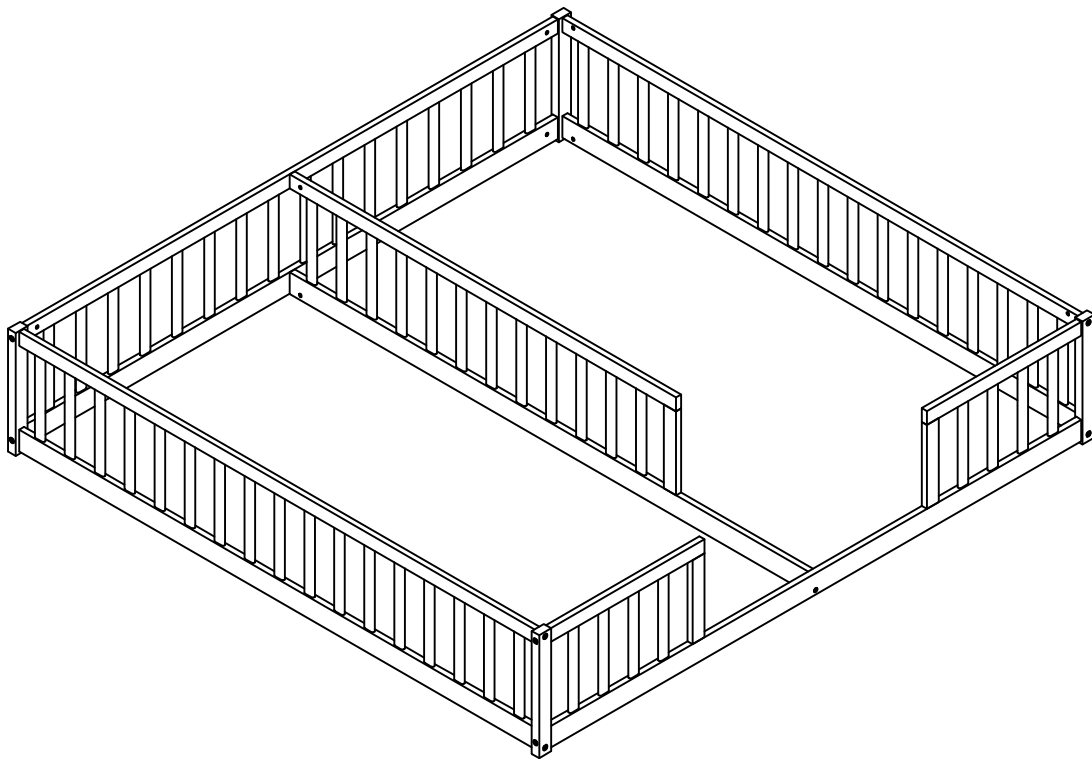


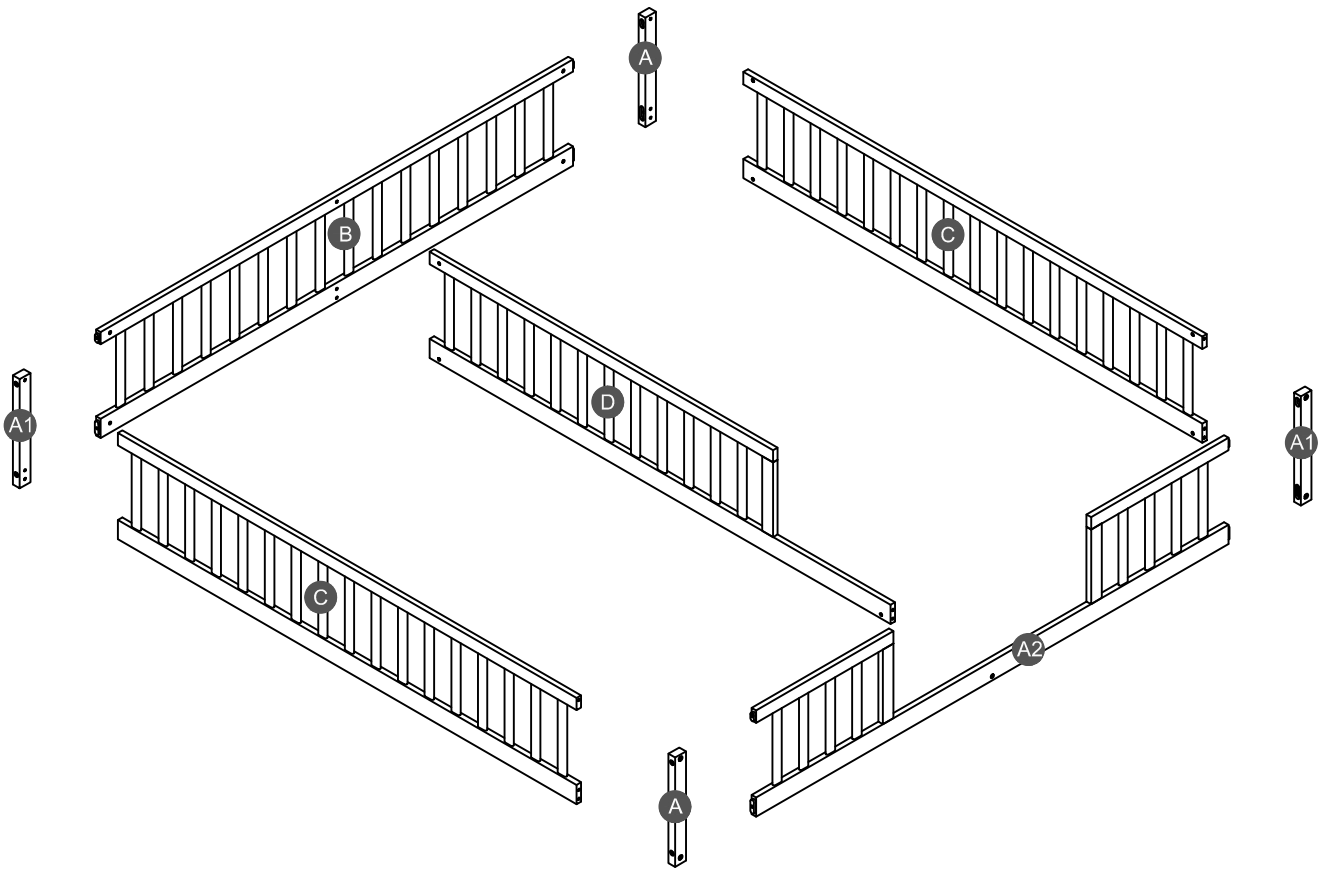
ASSEMBLY INSTRUCTIONS

DOUBLE TWIN FLOOR BED PLAN

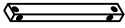
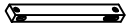

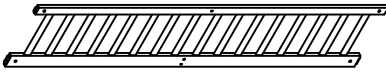
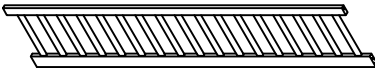
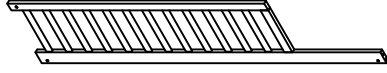


SA33809

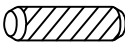
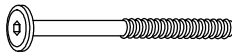
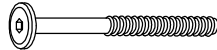
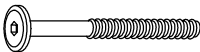
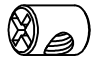

Detail View



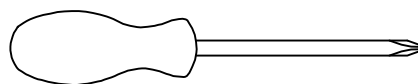
Part List

A  Leg (Left Front/Right Back) - 2pcs	A1  Leg (Right Front/Left Back) - 2pcs	A2  Guard rail (Front) - 1pc
B  Guard rail (Back) - 1pc	C  Guard rail (Left/Right) - 2pcs	D  Guard rail (Divider) - 1pc

Hardware List

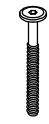

1  Ø8*30mm Wood dowel (6pcs)	2  (Ø15)1/4"*100mm Hex-Head bolts (8pcs)	3  (Ø15)1/4"*80mm Hex-Head bolts (8pcs)
4  (Ø12)1/4"*70mm Hex-Head bolts (3pcs)	5  1/4"*15 (9.5mm) Horizontal-Hole bolts(19pcs)	6  (1/4")4.5*58mm Allen key (1pc)

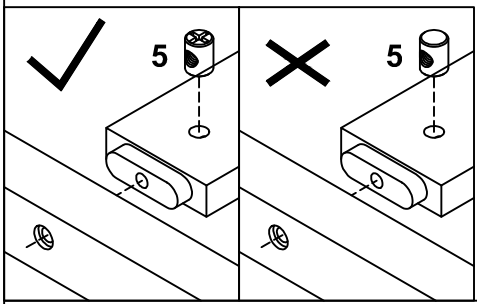
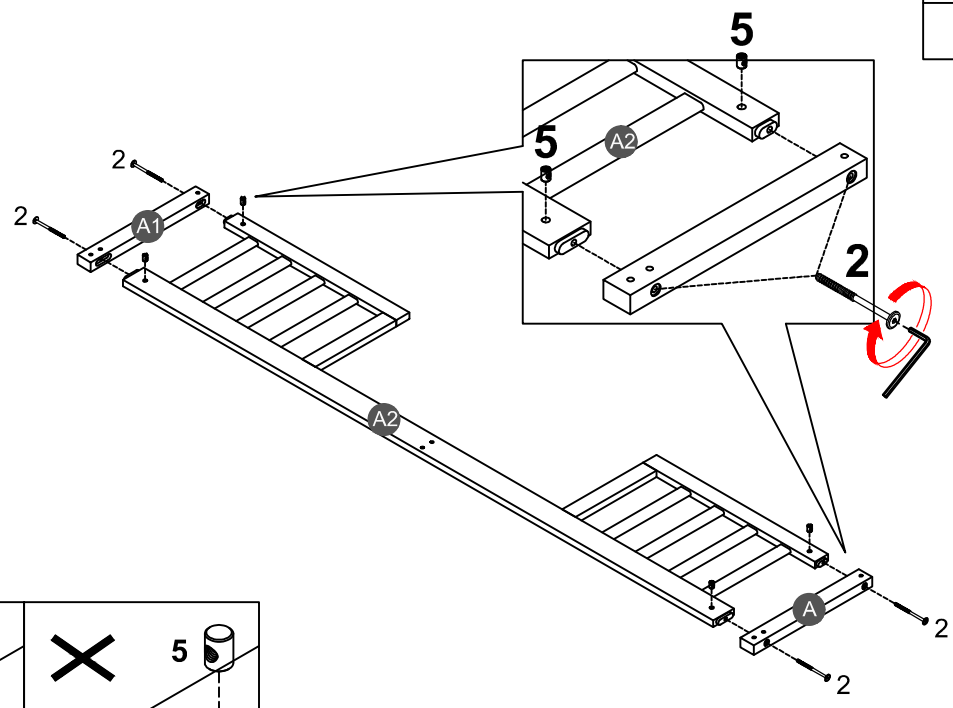
ASSEMBLY TOOLS REQUIRED (NOT INCLUDED)



PLEASE BE CAREFUL DO NOT DAMAGE THE HOLE POSITION WHEN YOU USE POWER TOOLS !

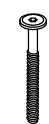

STEP 1:

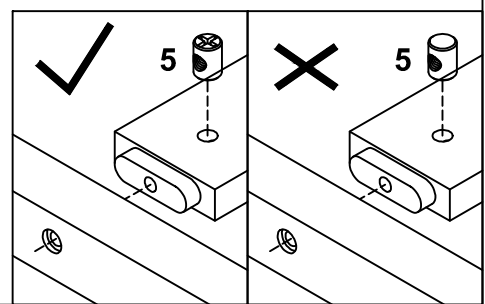
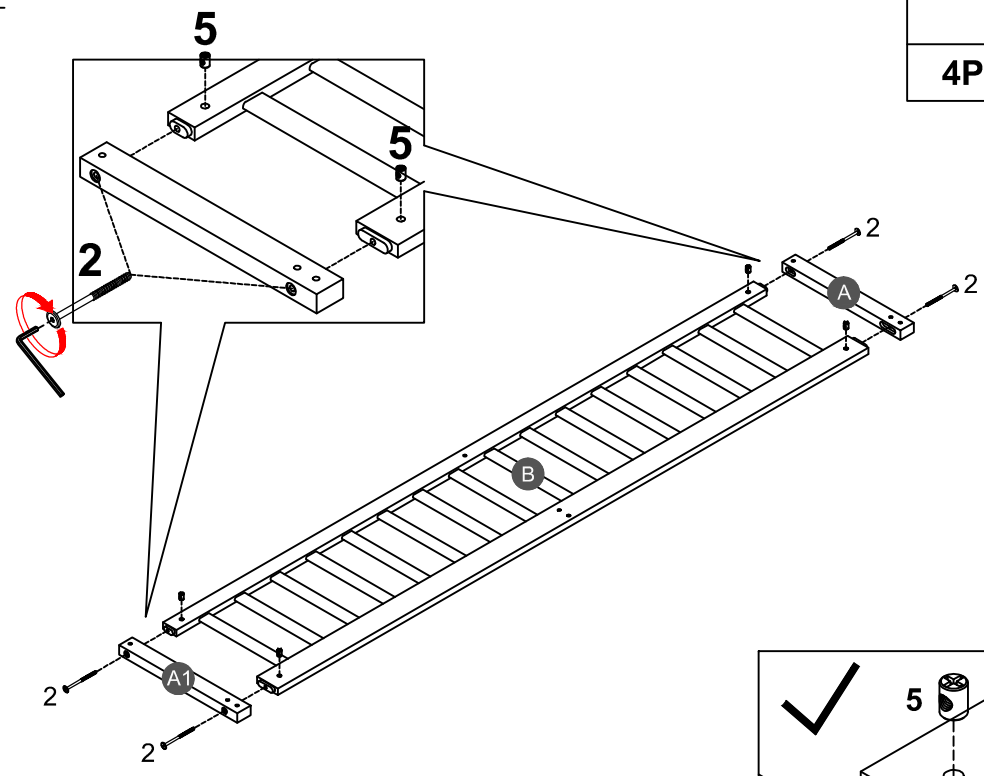
2		5	
4PCS		4PCS	



Note: Part 5 will face up with the "x" mark on it, otherwise it cannot be tightened





STEP 2:

2		5	
4PCS		4PCS	



Note: Part 5 will face up with the "x" mark on it, otherwise it cannot be tightened

STEP 3:

1 	3 	4 
6PCS	8PCS	3PCS
5 		
11PCS		

