
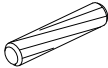
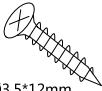
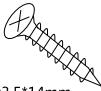
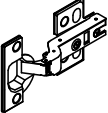
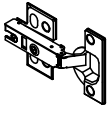

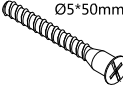
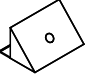
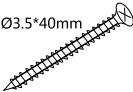

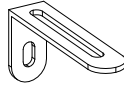
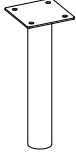


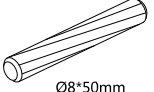
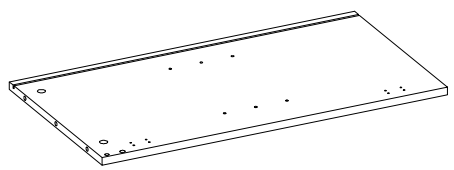


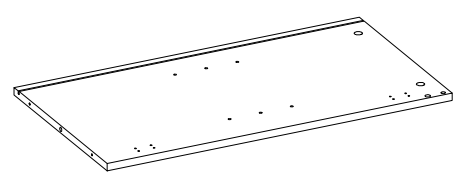
A  Ø15*9.5mm A2 Ø7*40mm A1 10PCS	B  Ø8*30mm 8PCS	C  Ø3.5*12mm 16PCS	D  Ø3.5*14mm 74PCS	E  4PCS	F  4PCS	G  8PCS	H  Ø5*50mm 6PCS
J  16PCS	K  Ø3.5*40mm 2PCS	L  2PCS	M  2PCS	N  5PCS	O  2PCS	P  16PCS	Q  Ø8*50mm 1PC

1



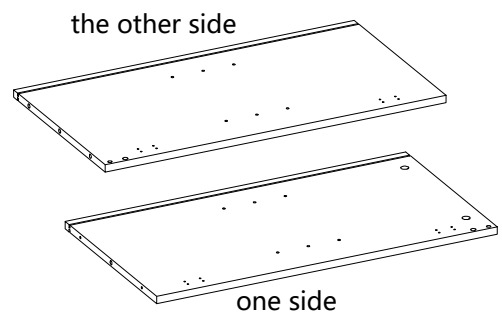
710*382mm

2



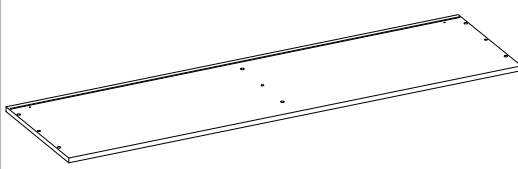
710*382mm

3



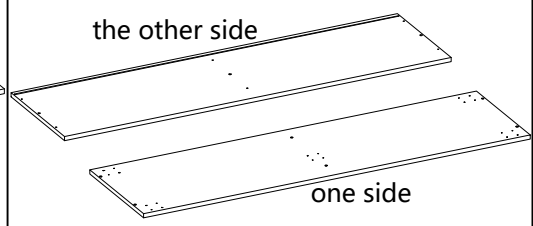
710*382mm

4



1440*400mm

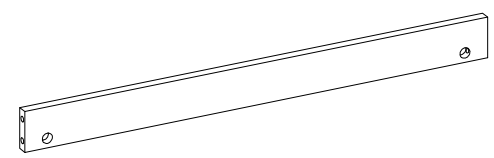
5



1440*400mm

6

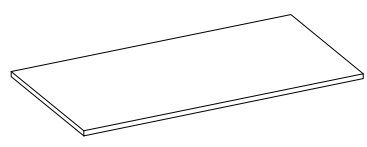
X2



696.5*60mm

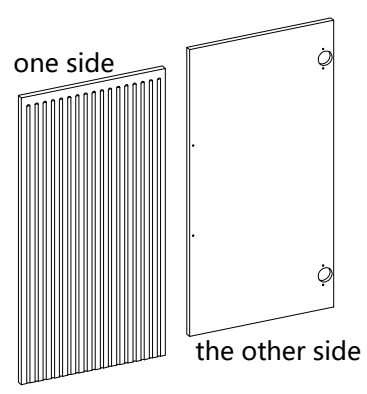
7

X2



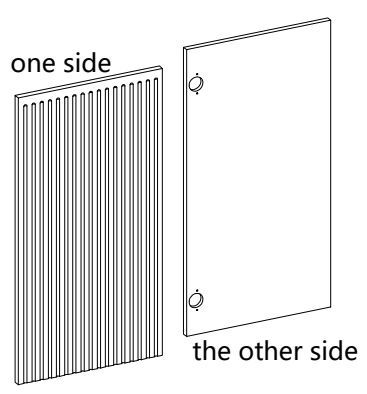
694*360mm

8



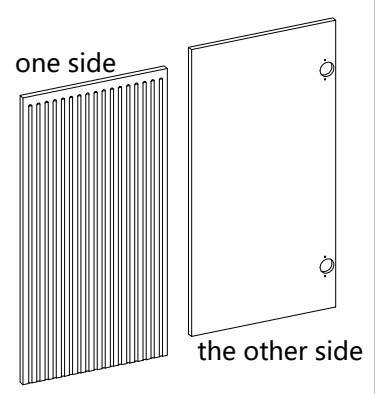
703*356mm

9



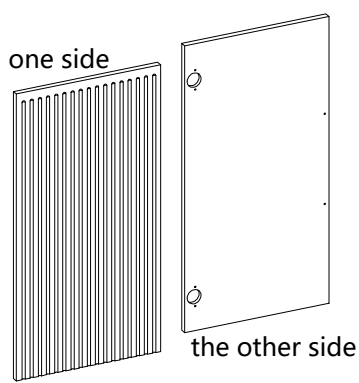
703*356mm

10



703*356mm

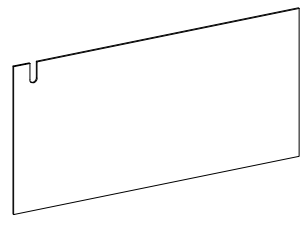
11



703*356mm

12

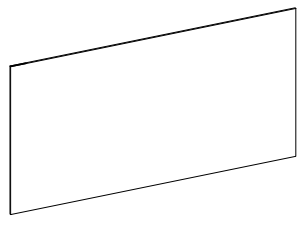
X2



706*359mm

13

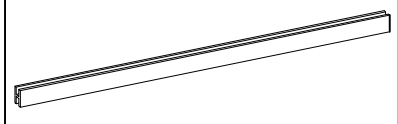
X2



706*359mm

14

X2



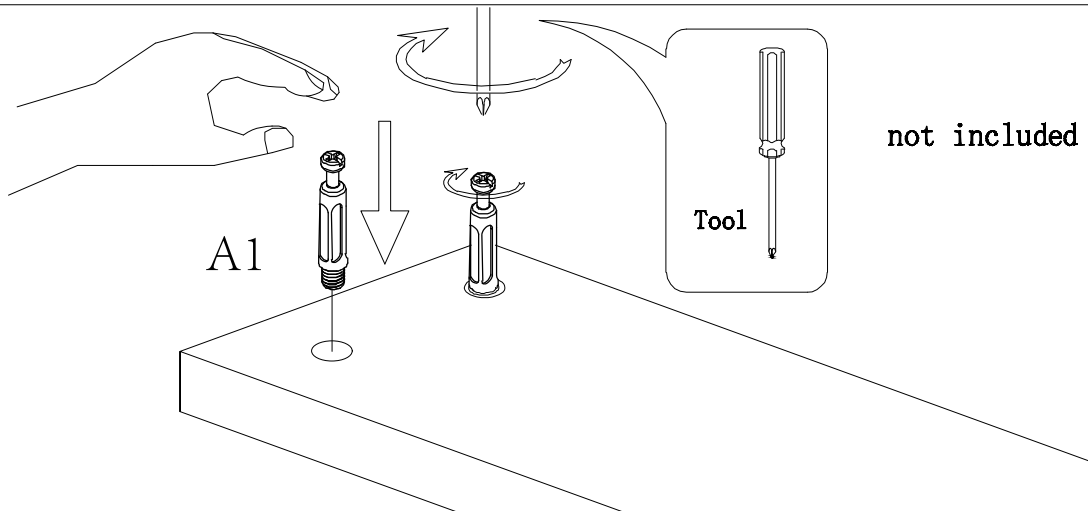
L=694mm

Hardware installation demonstration

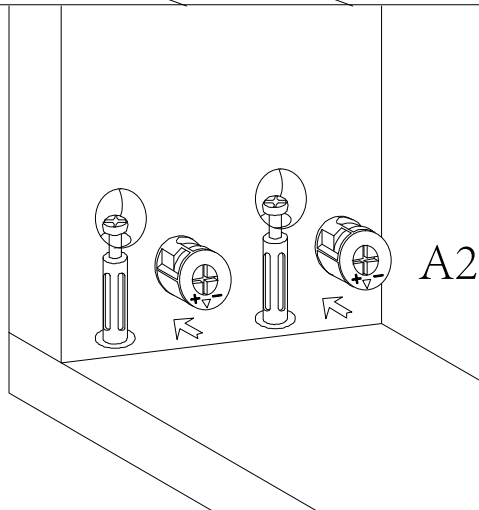


NOTE: Please make sure "A1" hardware tightened and can't be pulled out!

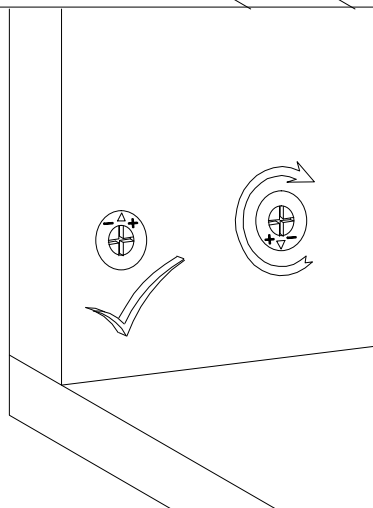
I



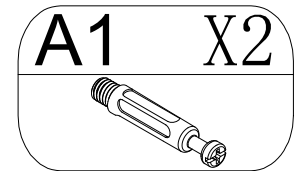
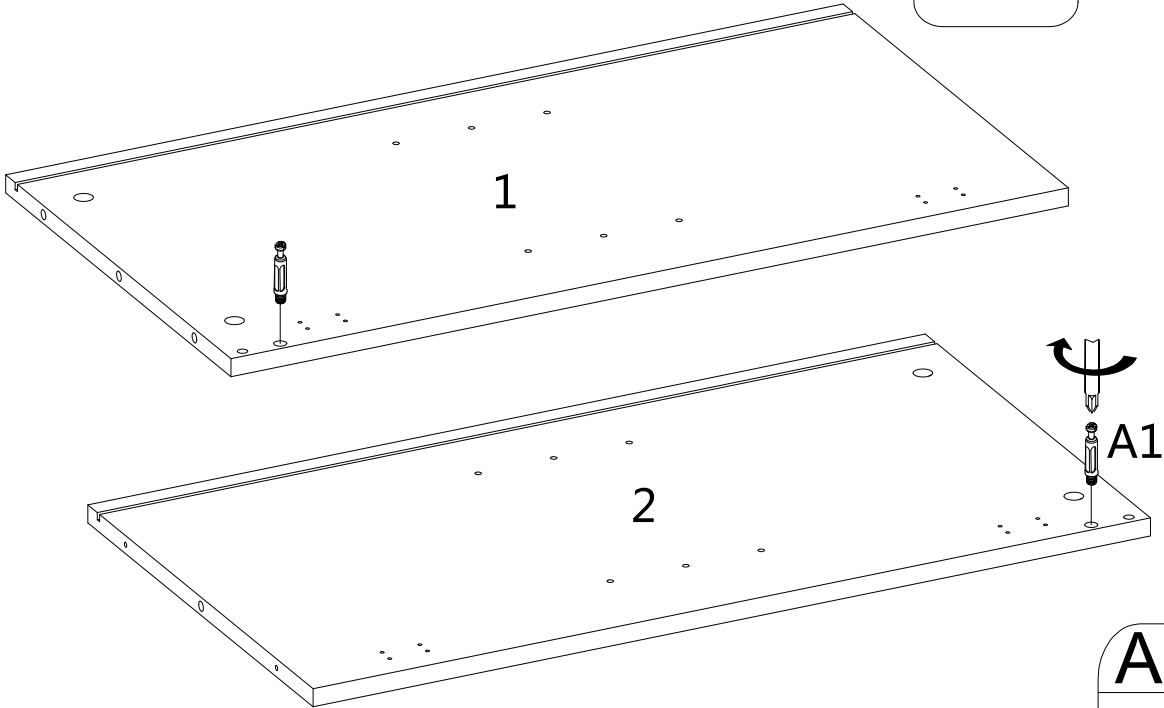
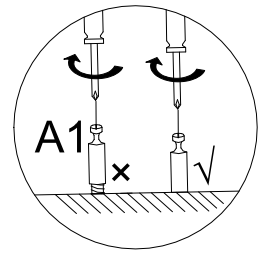
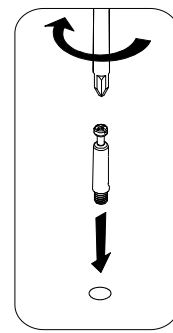
II



III

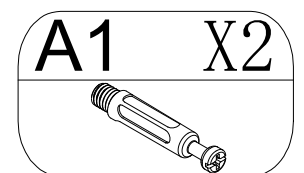
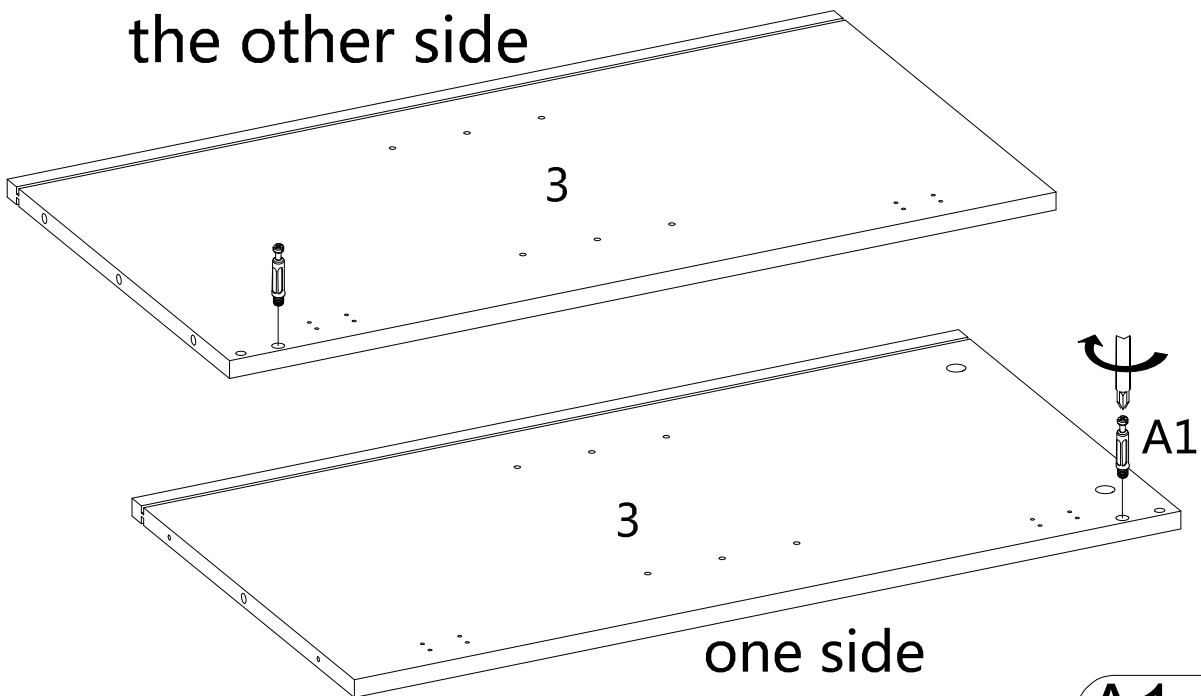


STEP 1

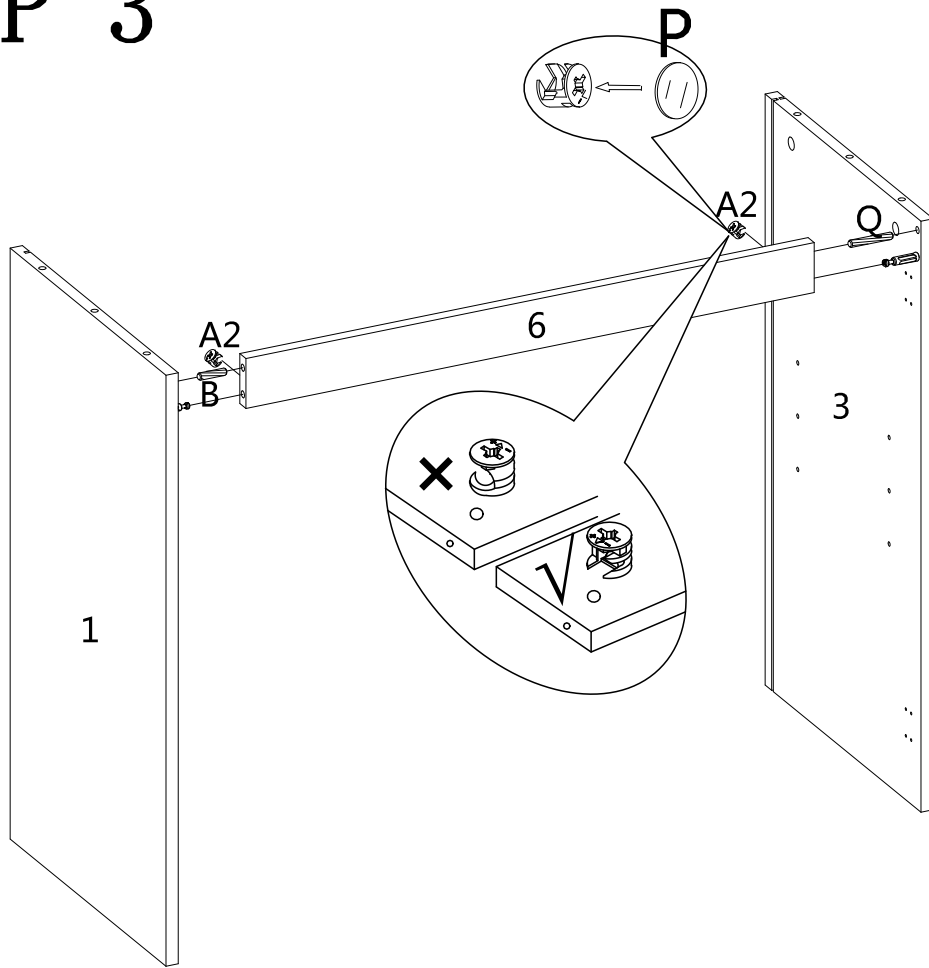


STEP 2

the other side

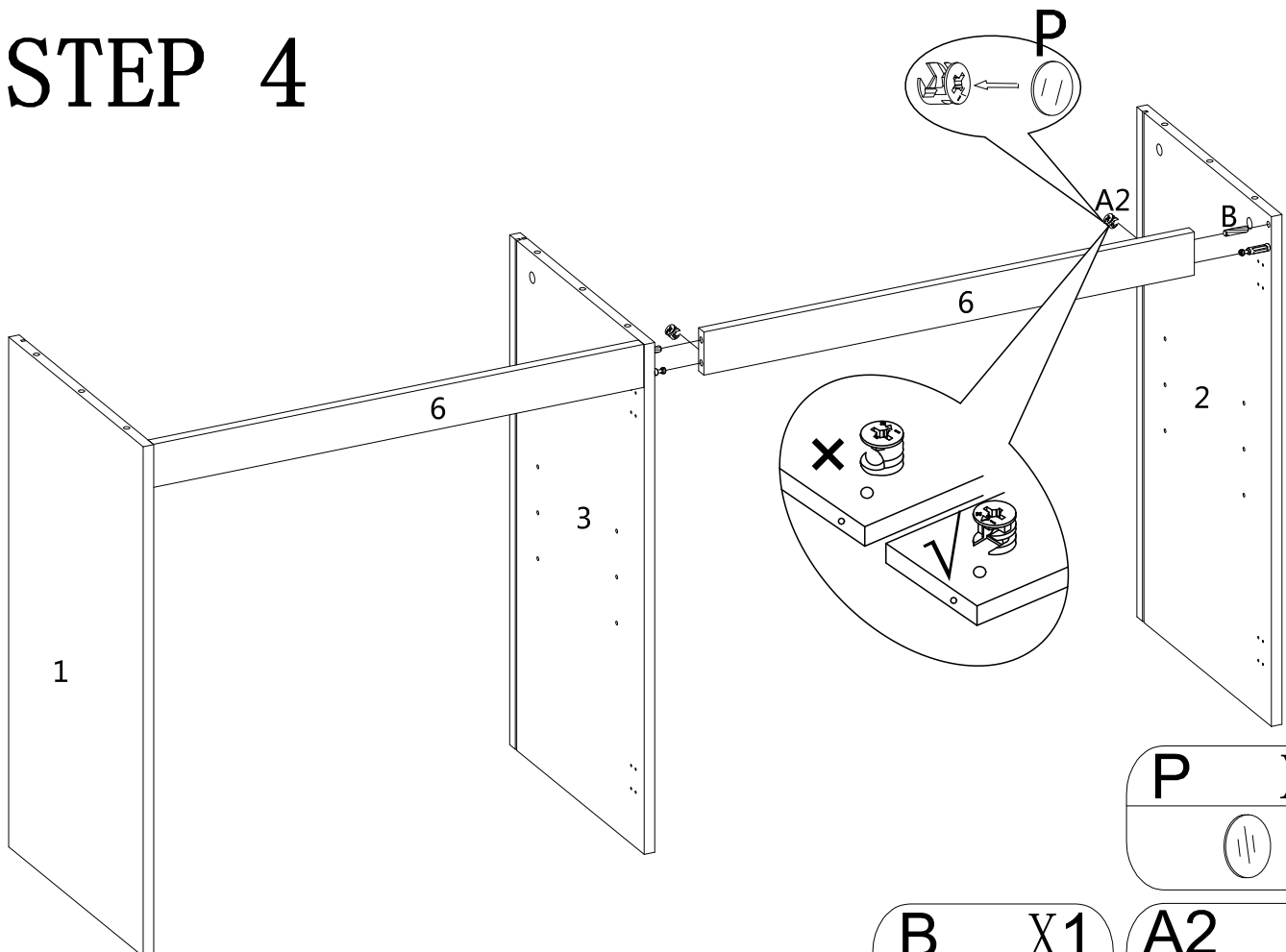


STEP 3



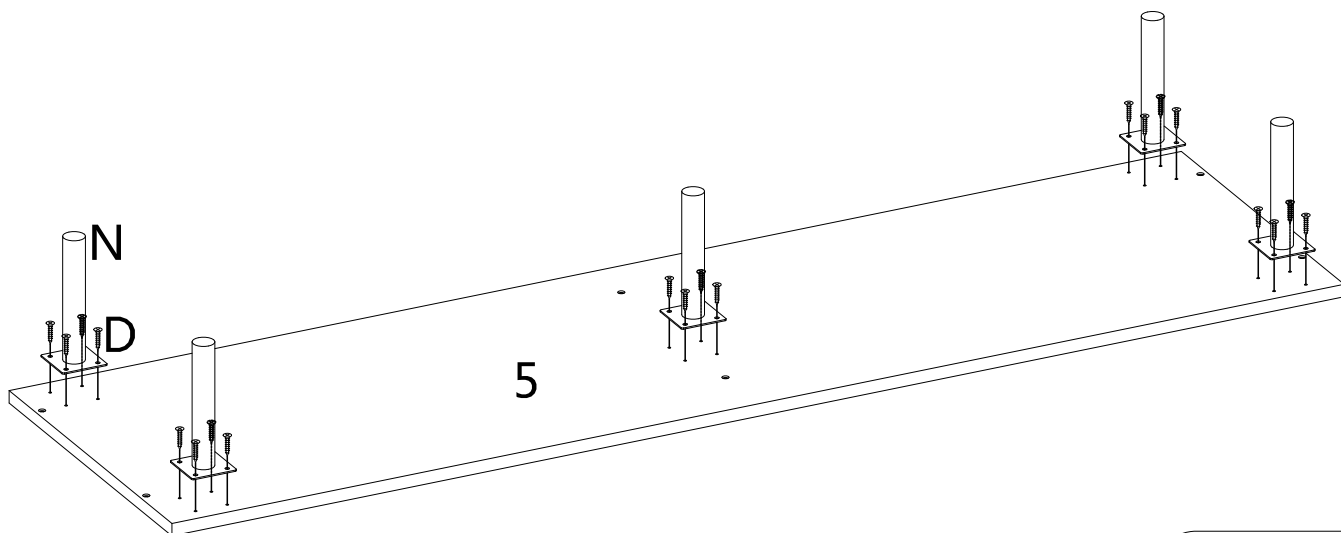
Q	X1
B	X1
P	X2
A2	X2

STEP 4

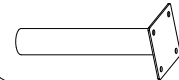


P	X2
B	X1
A2	X2

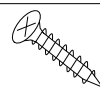
STEP 5



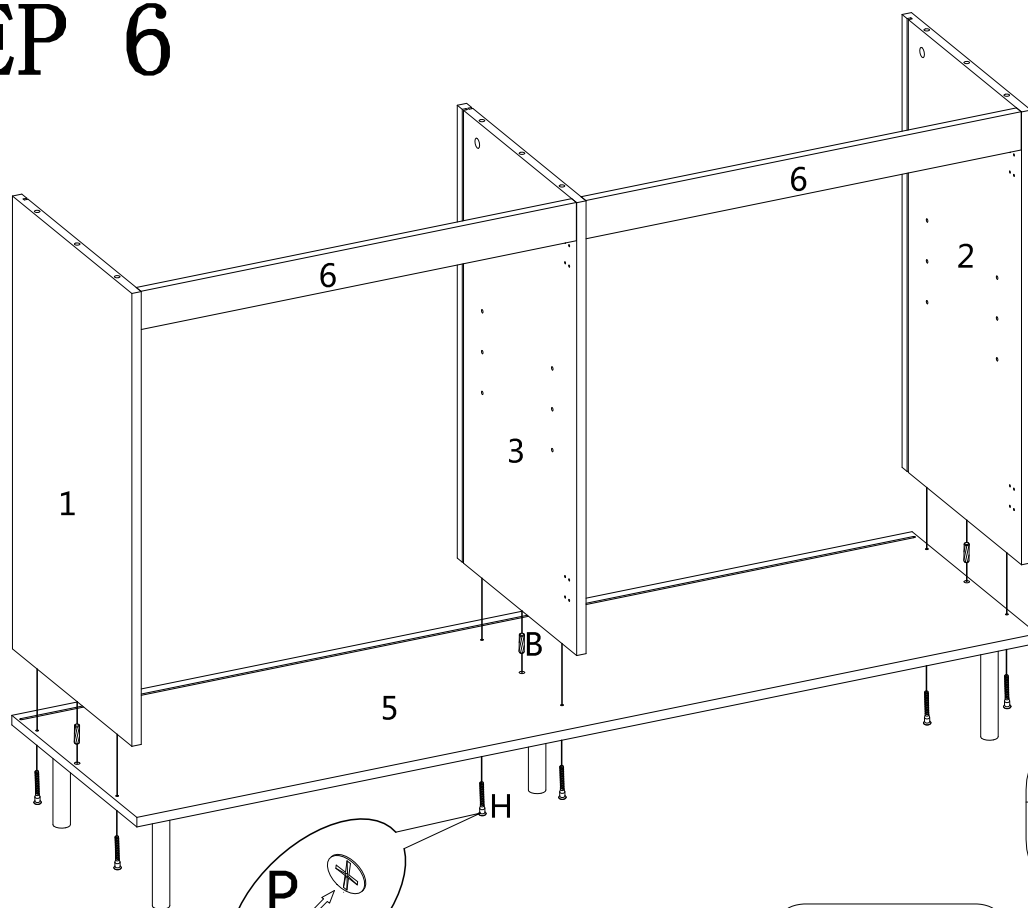
N X5



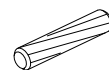
D X20



STEP 6



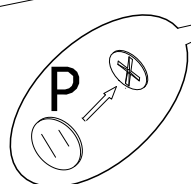
B X3



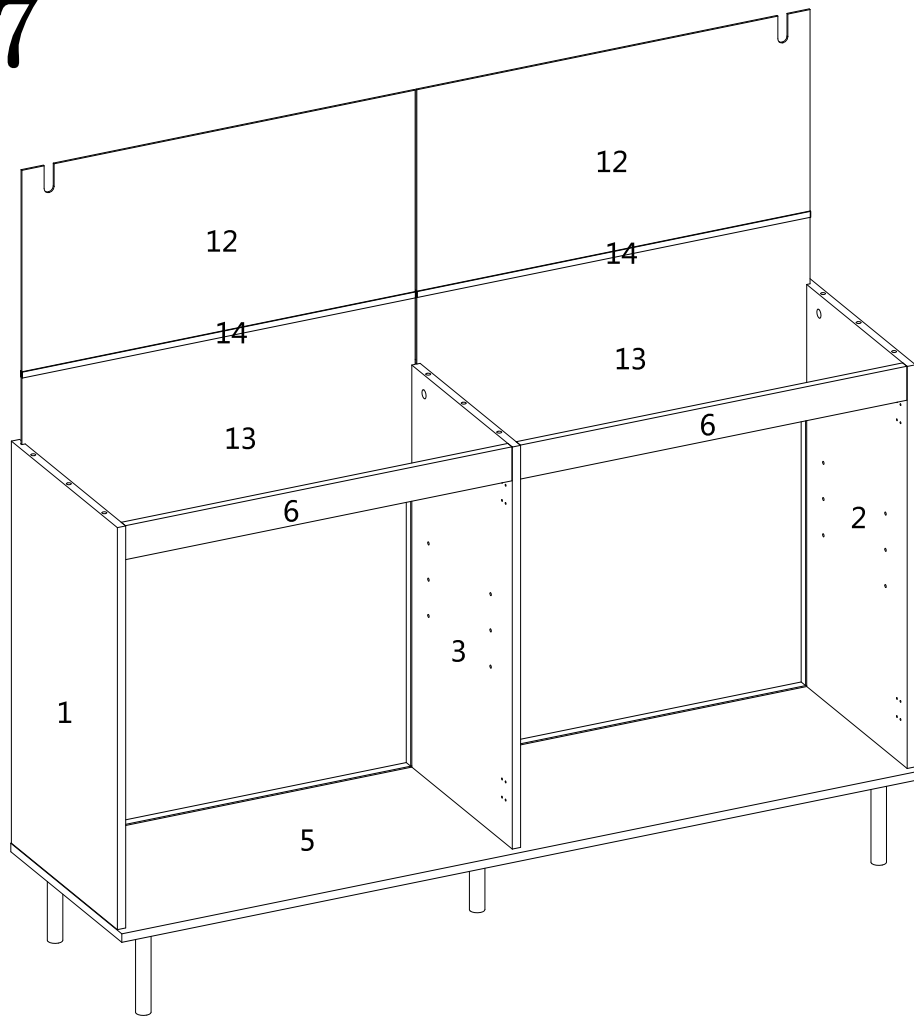
P X6



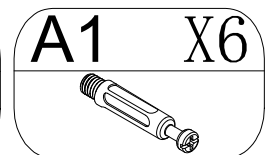
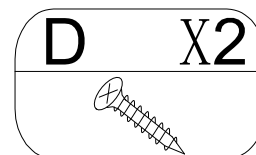
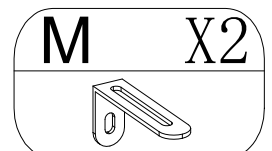
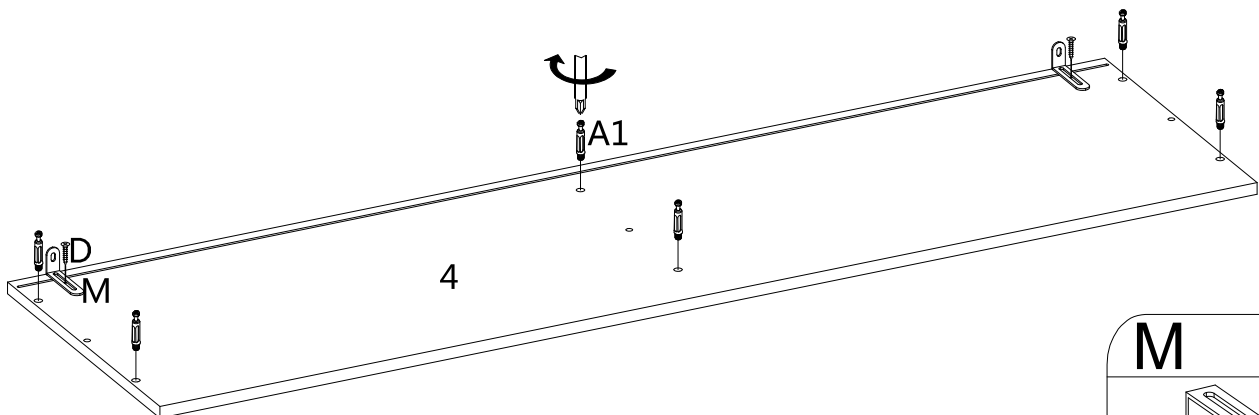
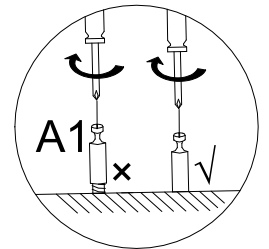
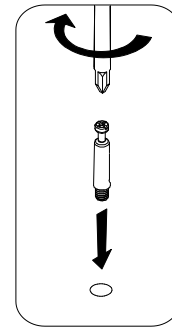
H X6



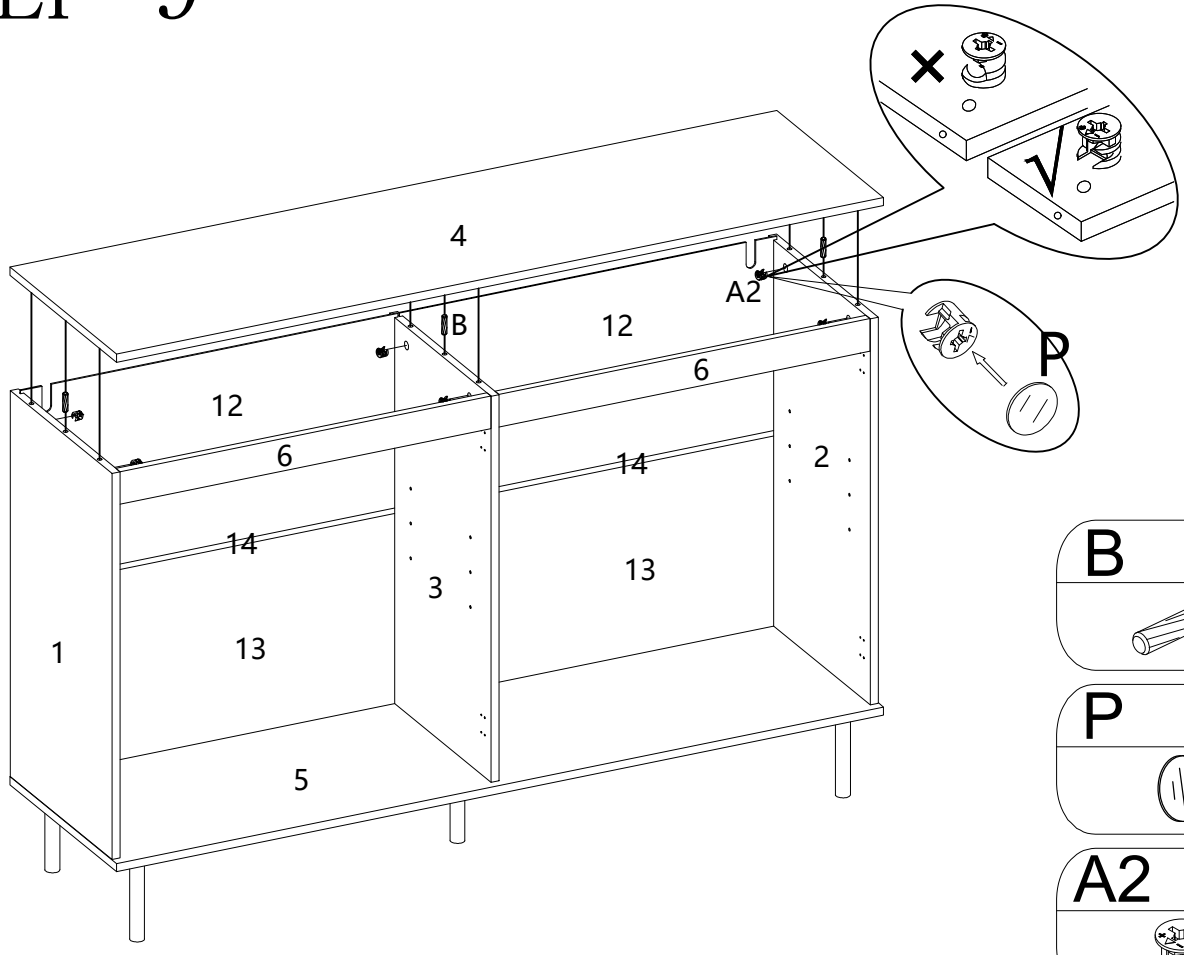
STEP 7

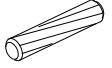




STEP 8

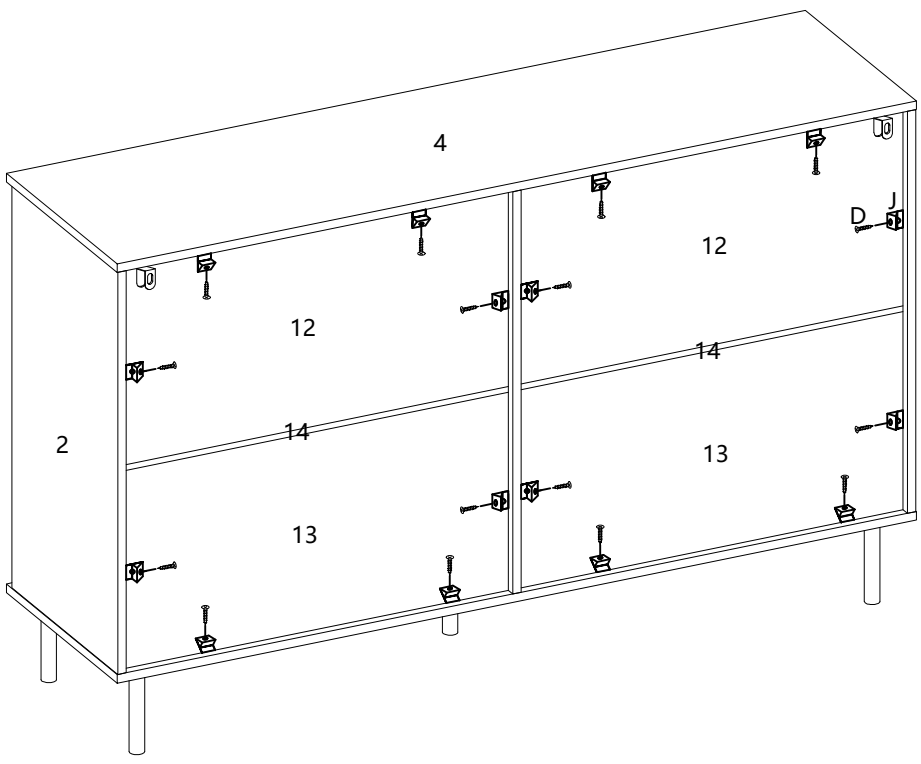



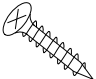
STEP 9



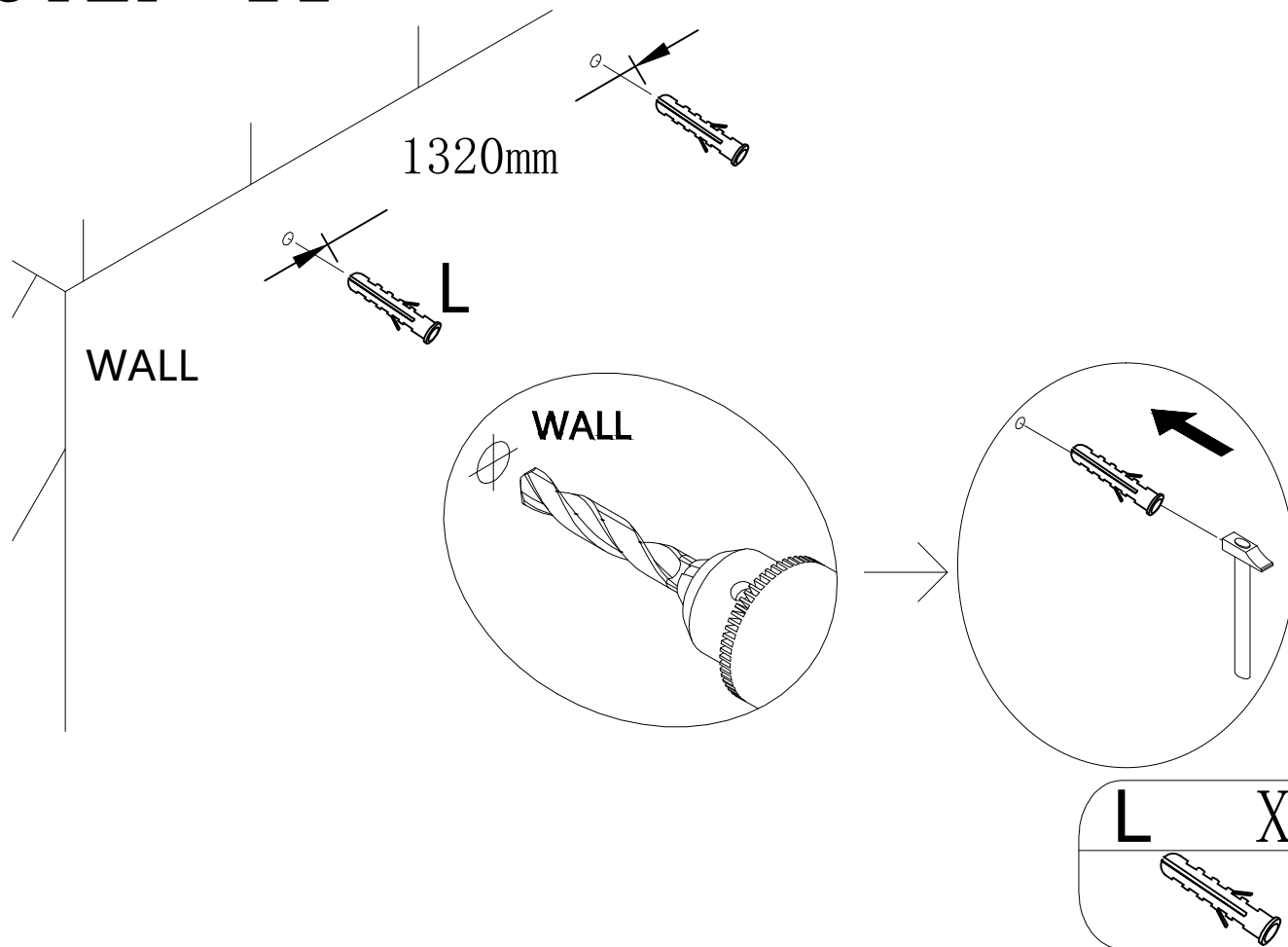
- B** X3

- P** X6

- A2** X6


STEP 10

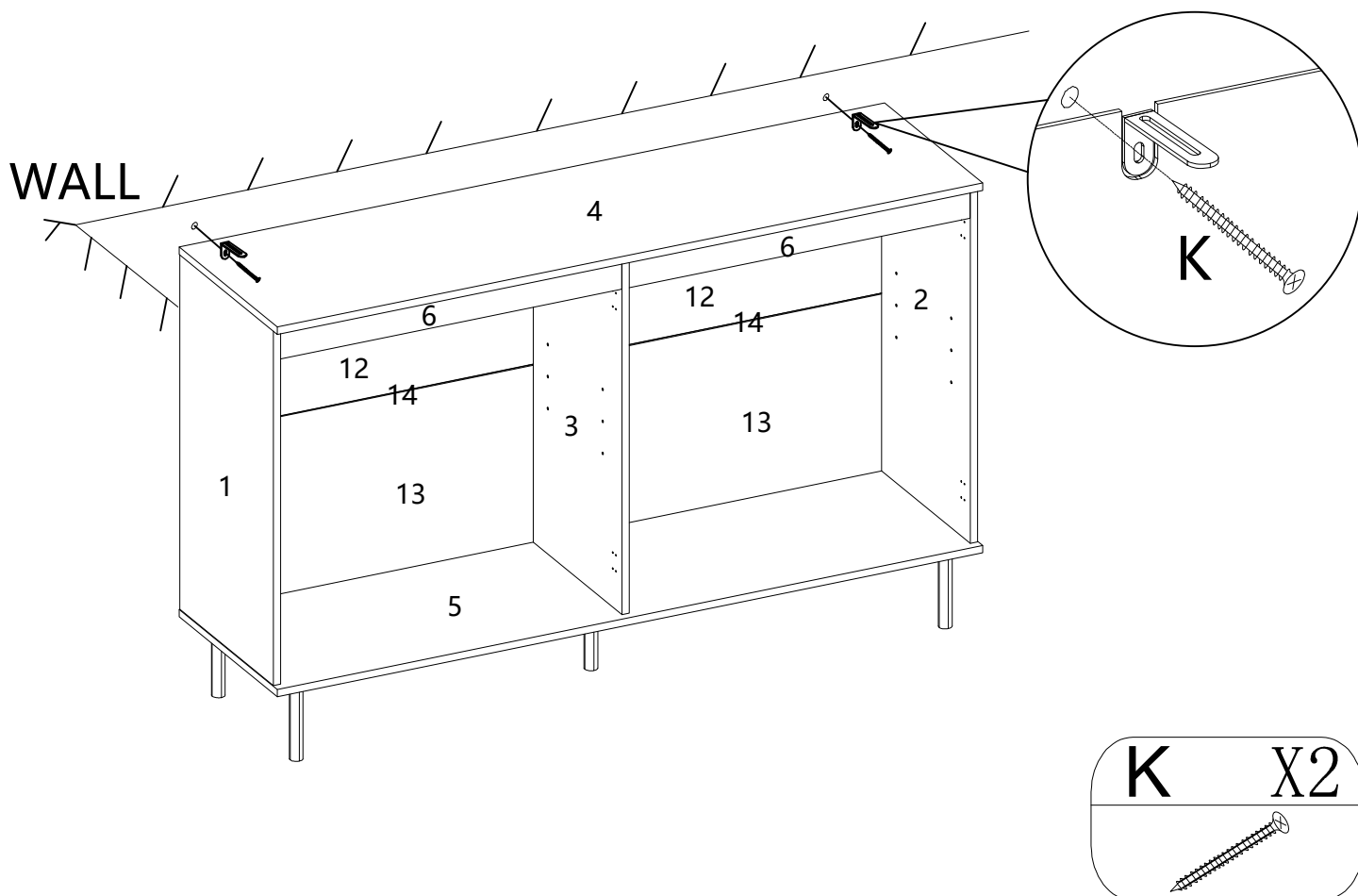


- J** X16

- D** X16


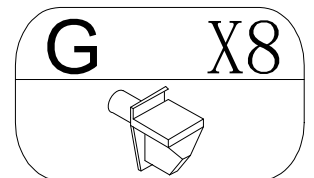
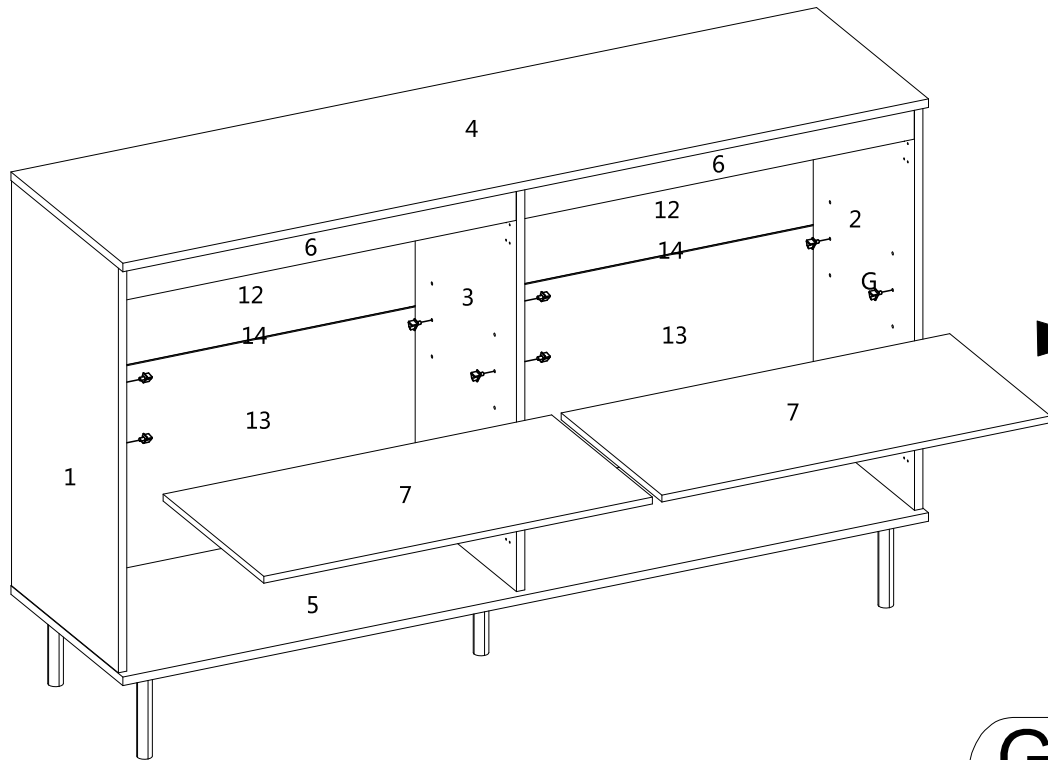
STEP 11



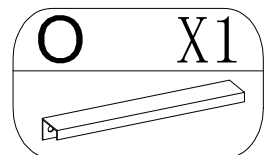
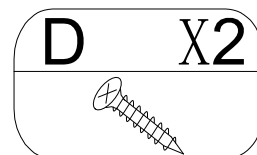
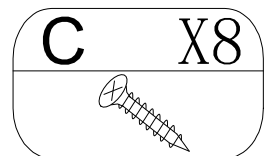
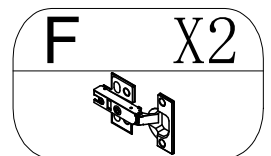
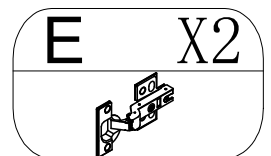
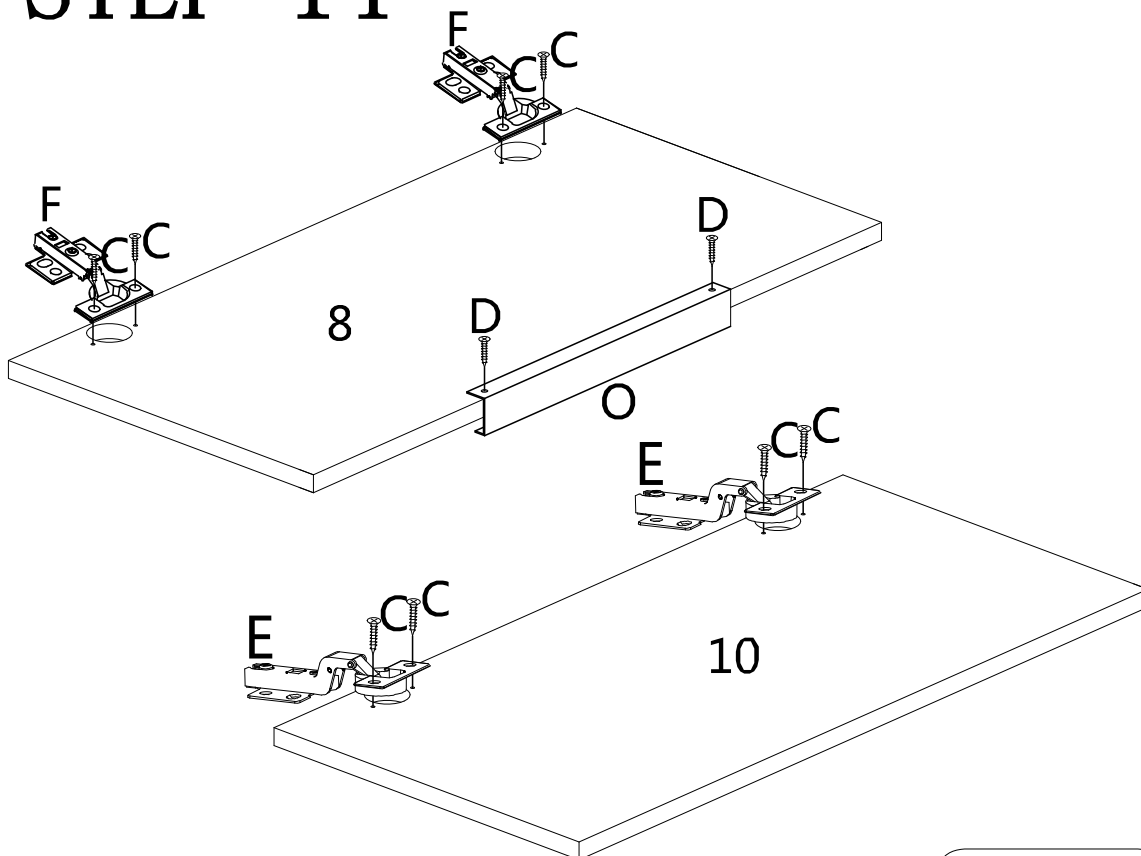
STEP 12



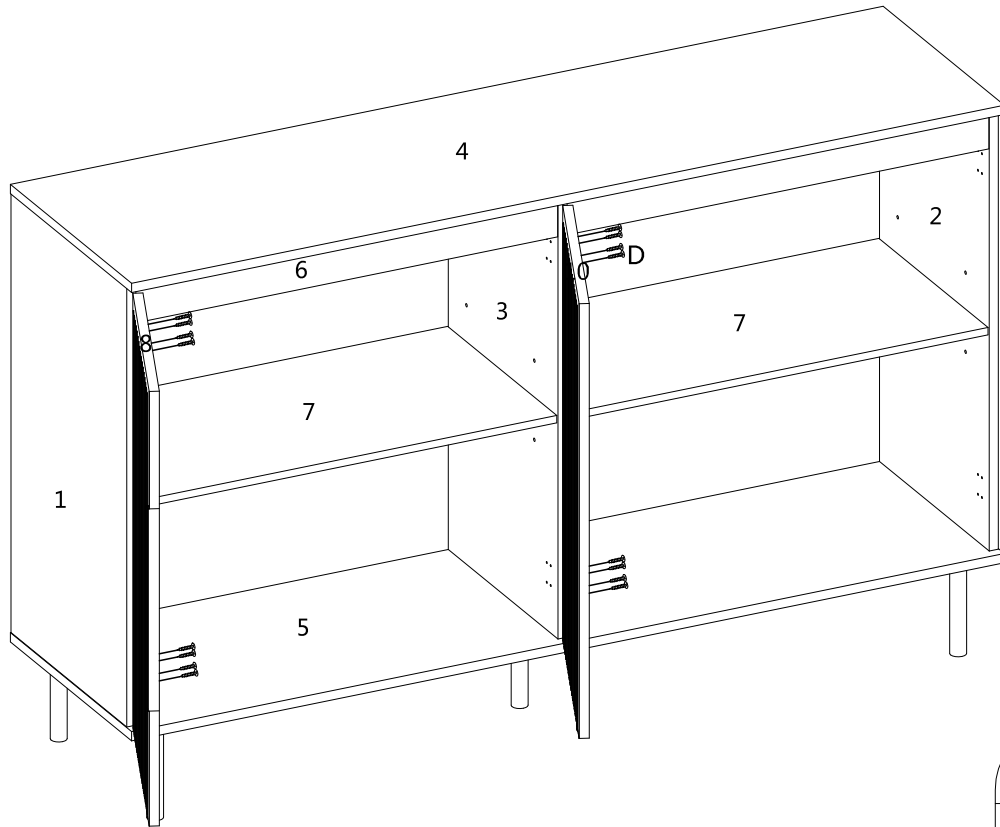
STEP 13



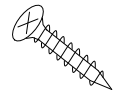
STEP 14



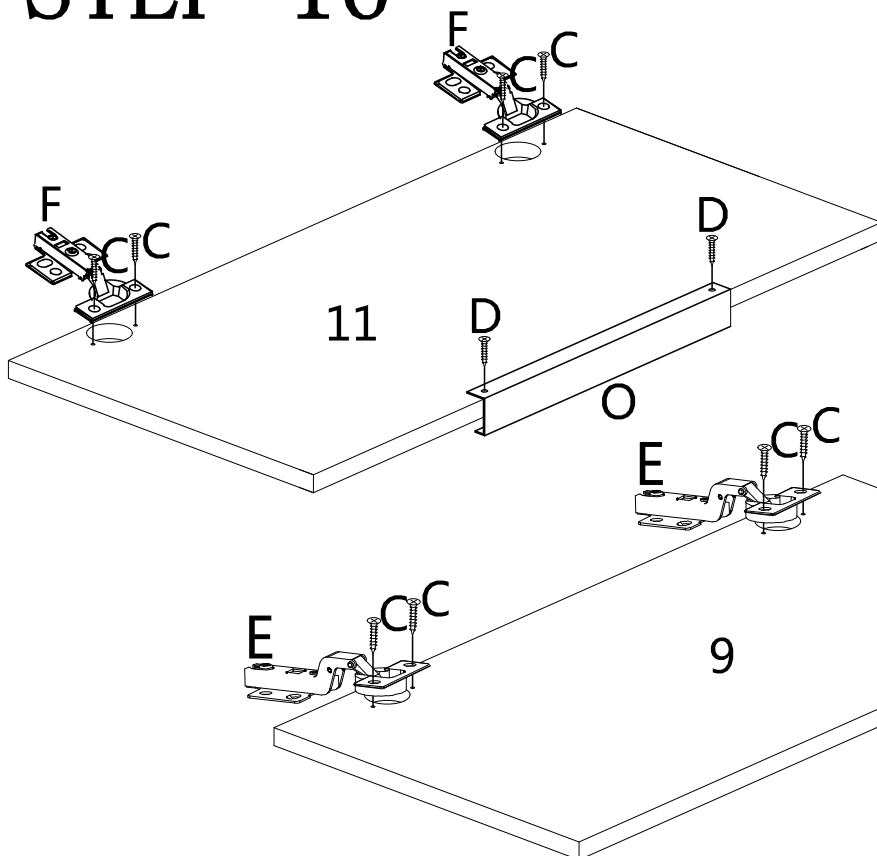
STEP 15



D X16



STEP 16



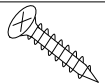
E X2



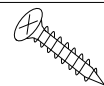
F X2



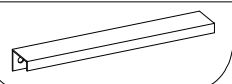
C X8



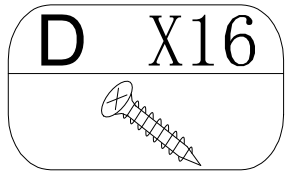
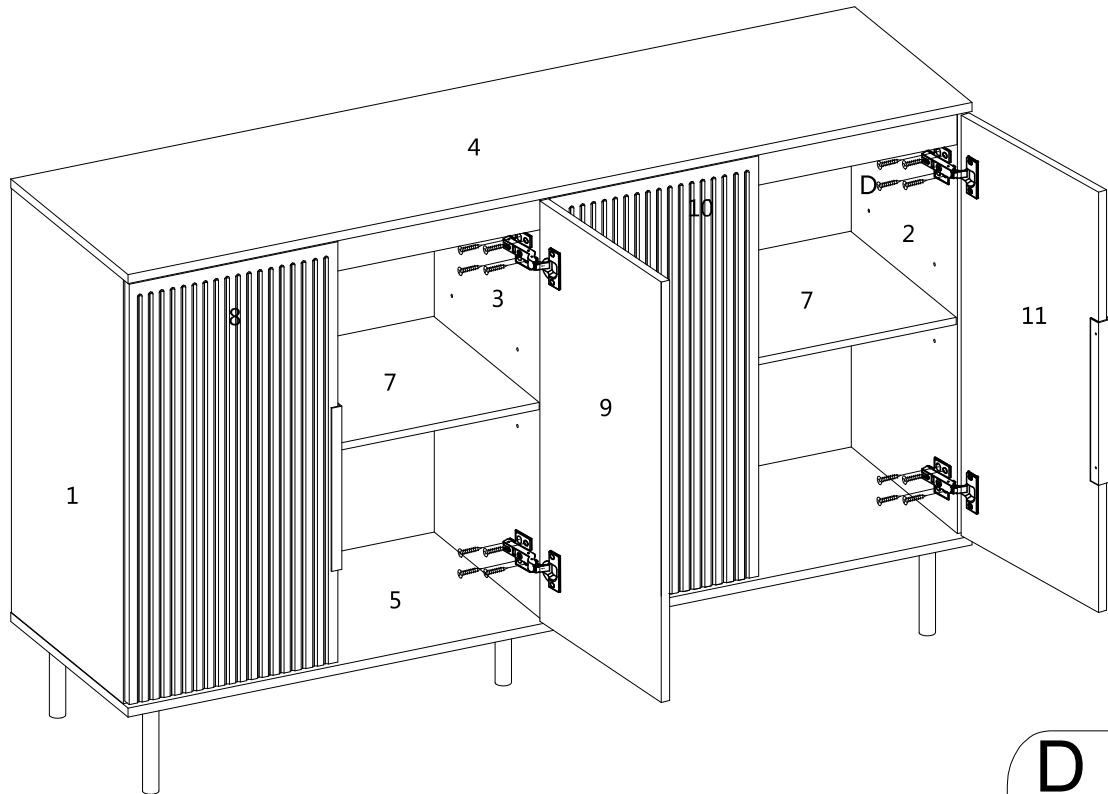
D X2



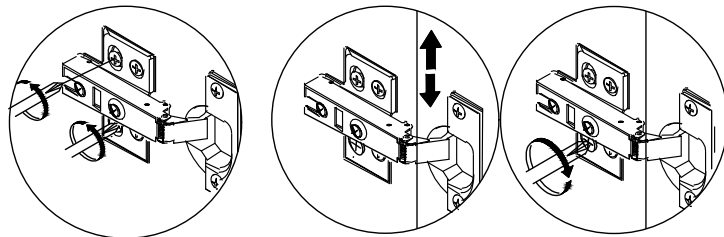
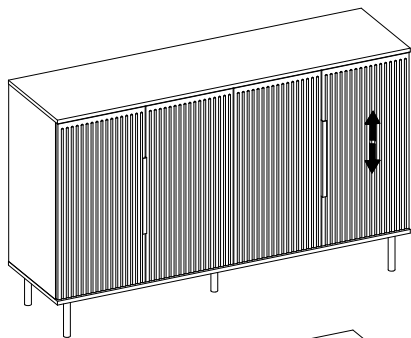
O X1



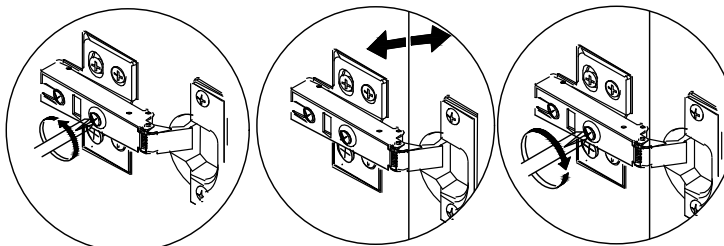
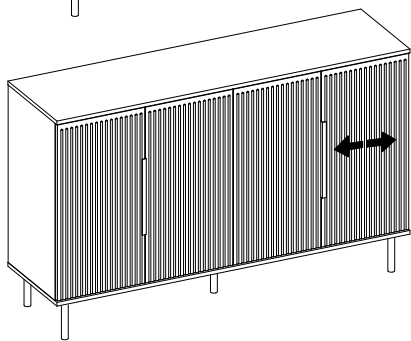
STEP 17



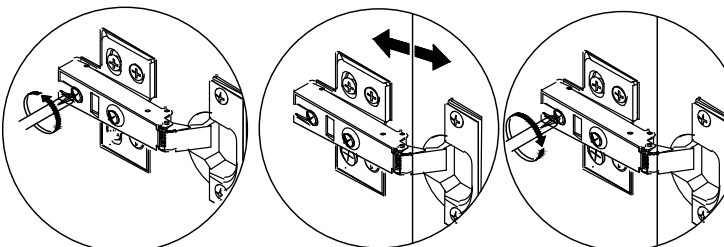
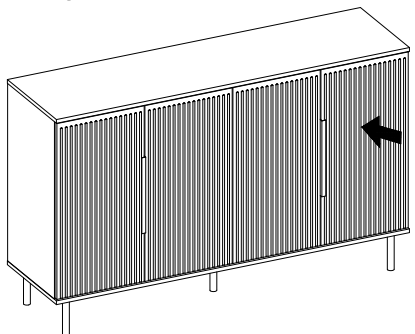
STEP 18



Cabinet door up and down fine adjustment



Cabinet door left and right fine adjustment



Fine-tune the gap after the cabinet door is closed

STEP 19

