

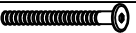


EEI-1628

ASSEMBLY INSTRUCTIONS

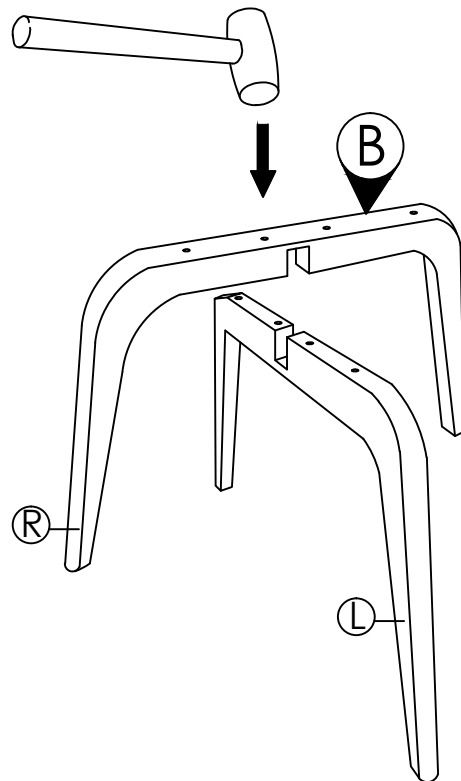
Read this instruction carefully. Refer to the hardware and furniture parts list for guidance. Be sure all parts are complete before assembling. Place all wooden furniture parts on a clean and flat soft surface to prevent scratches.

CAUTION :

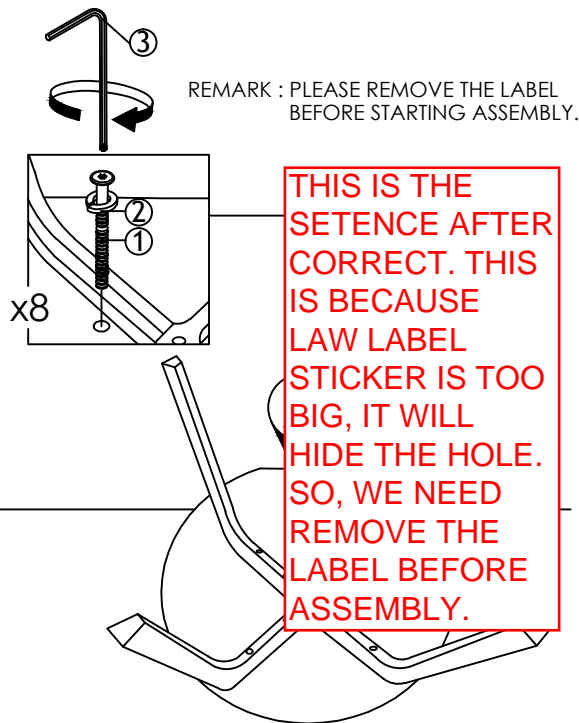
1. Do not **FULLY-TIGHTEN** screws until they are all in place.
2. To prevent thread damage, do not over-tighten screws
3. Hardware is to be kept out of reach from children.

PART LIST			HARDWARE LIST		
ITEM	DESCRIPTION	QTY	ITEM	DESCRIPTION	QTY
A	L-SHAPE CUSHION	1 PC	1	JCBC SCREW M6 x 45MM 	8 PCS
B	LEG (L & R)	1 SET	2	SPRING WASHER 1/4" 	8 PCS
			3	ALLEN KEY (M4 BALL SHAPE) LONG 	1 PC

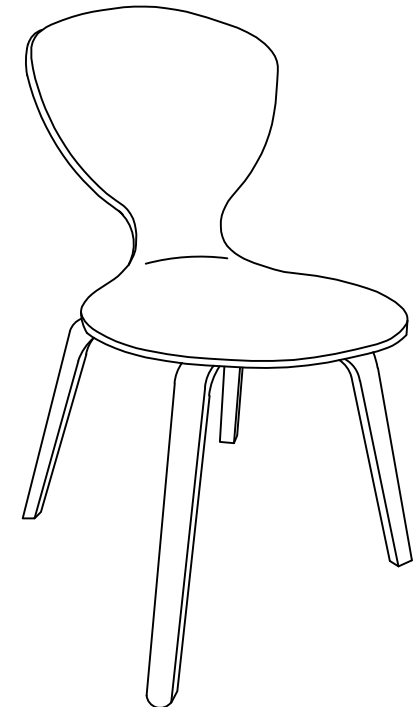
STEP 1



STEP 2



STEP 3



COMPLETED ASSEMBLY