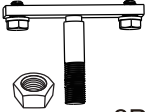





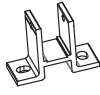


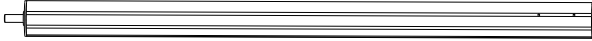


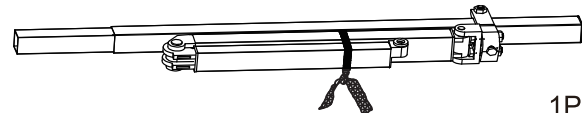


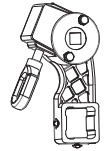
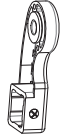
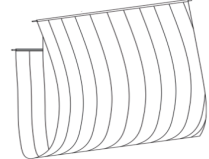


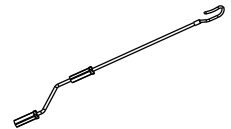
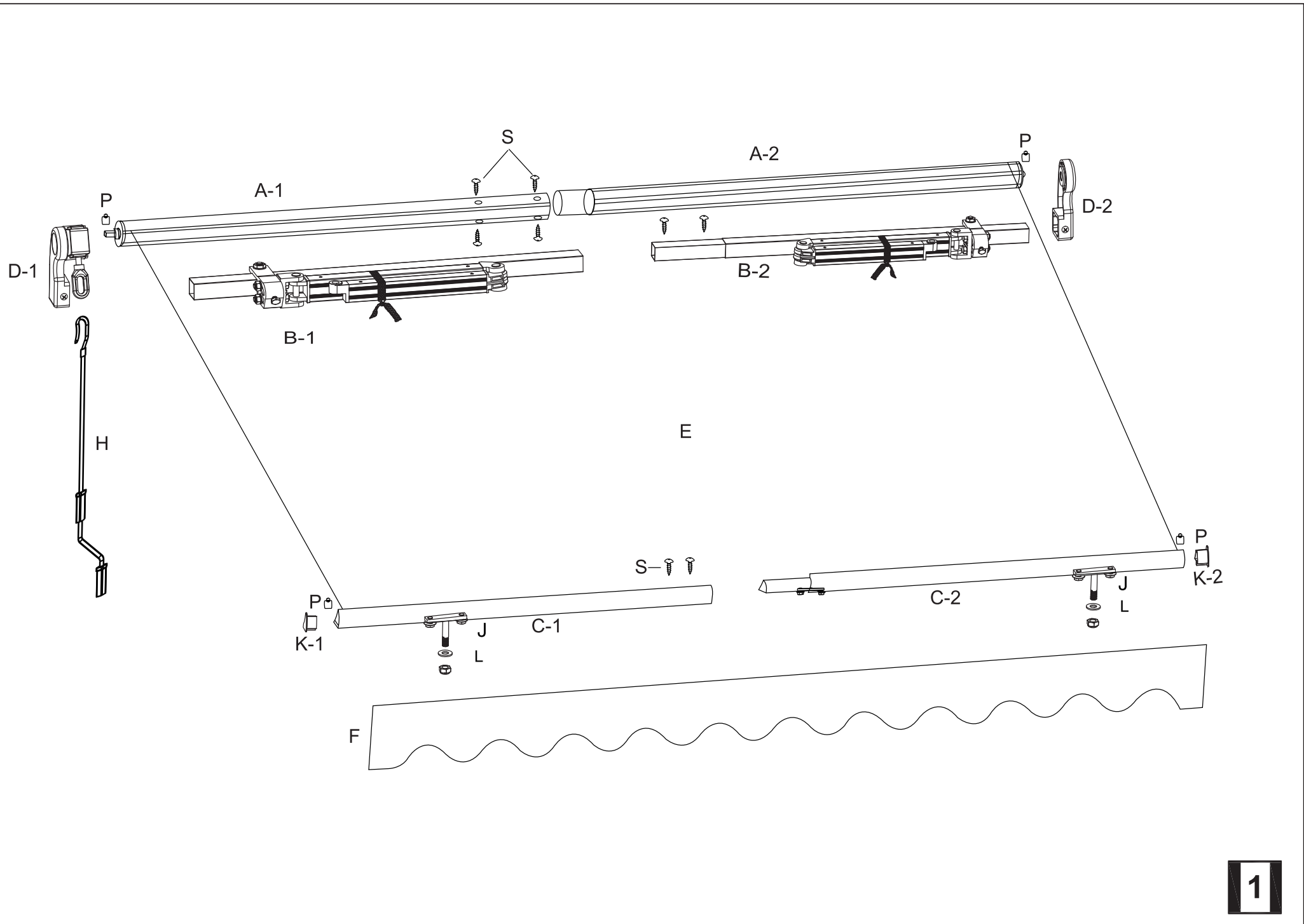


**HARDWARE**

<p>J</p>  <p>2PCS</p>	<p>K-1</p>  <p>1PC</p>	<p>K-2</p>  <p>1PC</p>	<p>L</p>  <p>2PCS</p>	<p>P</p>  <p>4PCS</p>
<p>S</p>  <p>8PCS</p>	<p>M</p>  <p>2PCS</p>	<p>T</p>  <p>2PCS</p>	<p>N</p>  <p>4PCS</p>	

**PARTS**

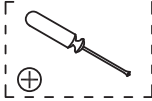
<p>A-1</p>  <p>1PC</p>	<p>A-2</p>  <p>1PC</p>	<p>B-1</p>  <p>1PC</p>
<p>B-2</p>  <p>1PC</p>	<p>C-1</p>  <p>1PC</p>	<p>C-2</p>  <p>1PC</p>
<p>D-1</p>  <p>1PC</p>	<p>D-2</p>  <p>1PC</p>	<p>E</p>  <p>1PC</p>
<p>F</p>  <p>1PC</p>	<p>G</p>  <p>3PC</p>	<p>H</p>  <p>1PC</p>



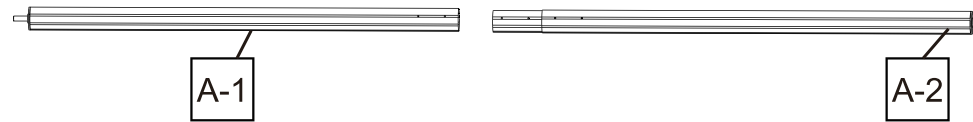
A-1 X1

A-2 X1

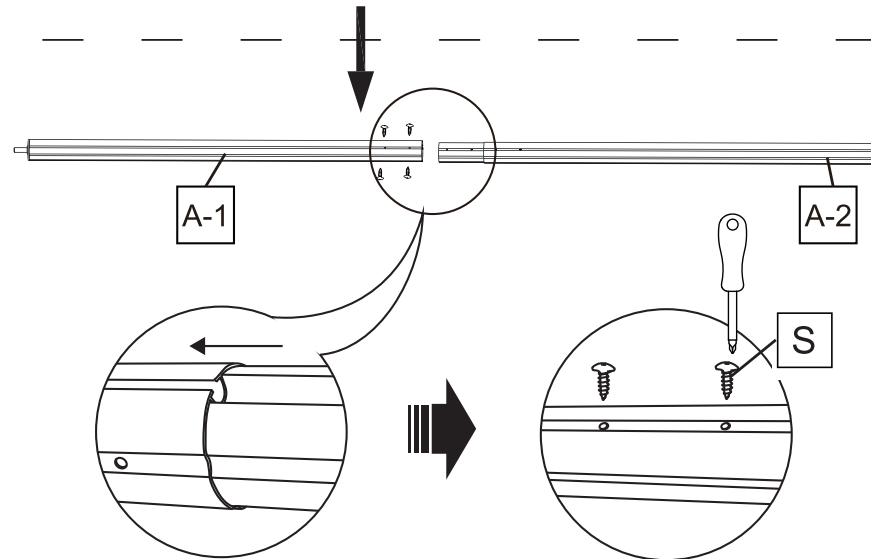
S X4



Connect roller tubes "A-1" & "A-2"



Insert roller tube "A-2" into "A-1" and connect them with screws "S"



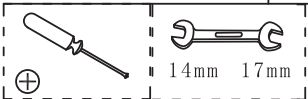
Complete the connection to be a complete roller tube "A"



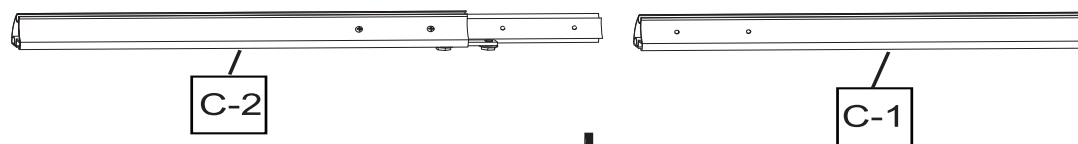
C-1 X1

C-2 X1

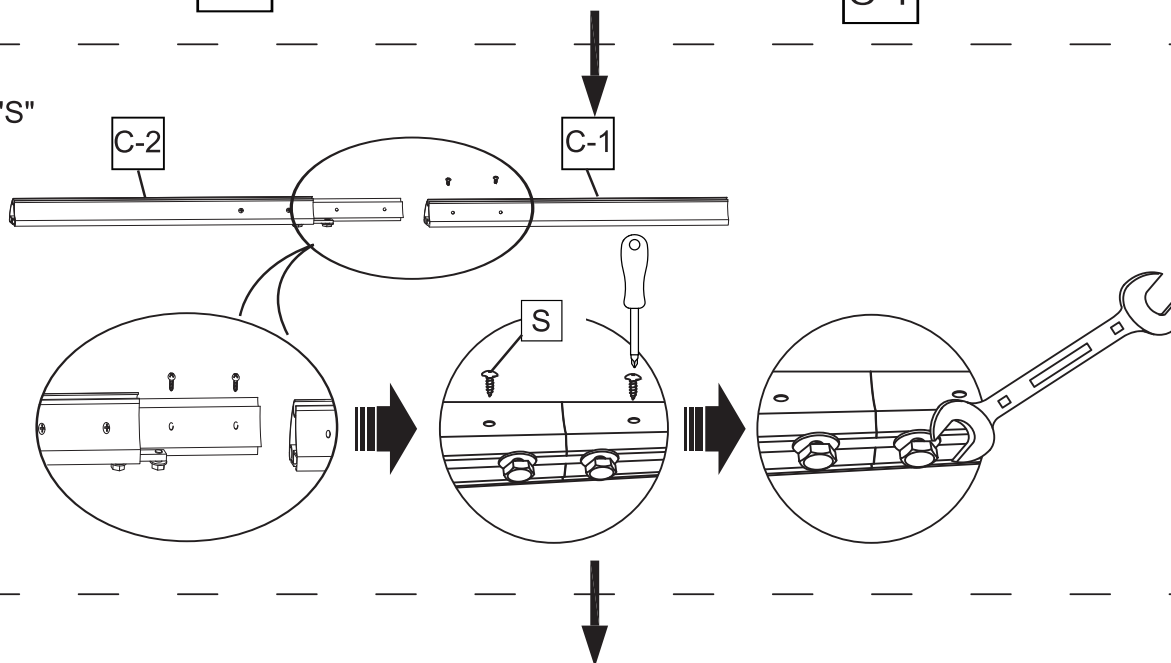
S X2



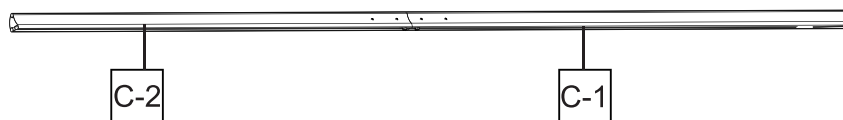
Connect front bars "C-1" & "C-2"



Insert front bar "C-2" into "C-1" and connect them with screws "S"  
Do not forget to tighten all the screws



Complete the connection to be a complete front bar "C"

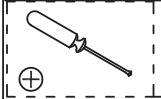


B-1 X1

B-2 X1

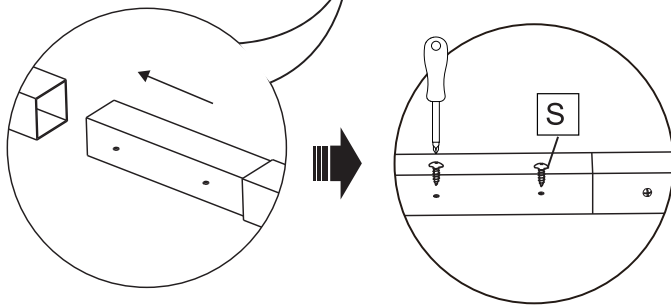
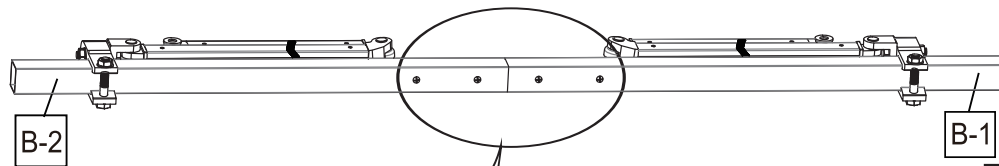
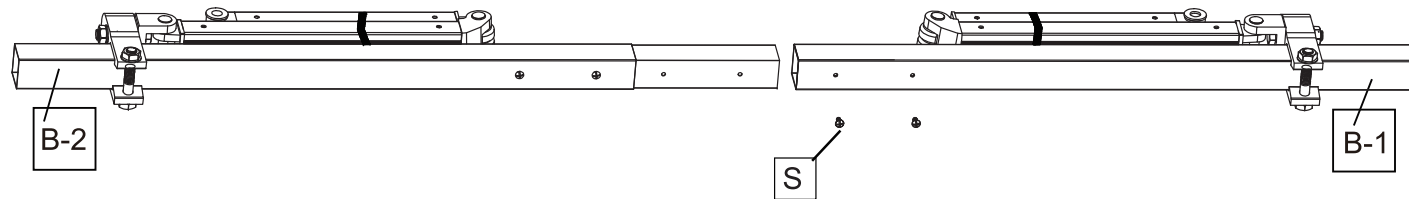
D-1 X1

S X2

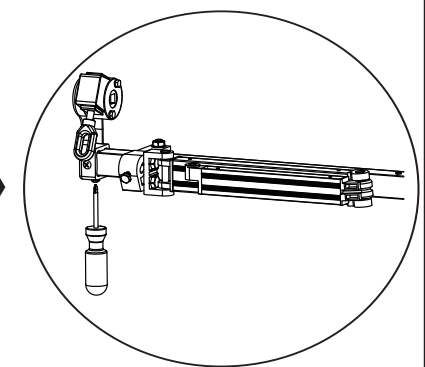
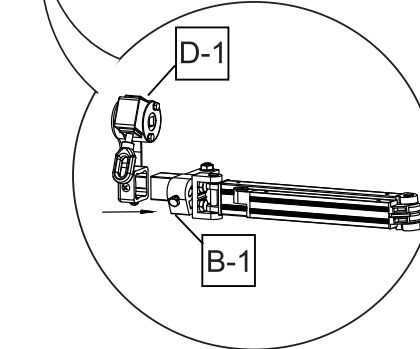
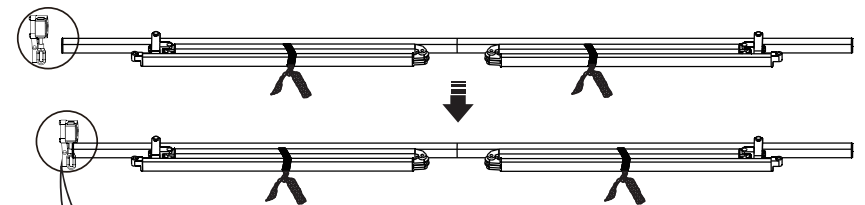


**Attention:**  
Do not remove the bindings holding the two extension arms until fully assembled. These are spring-loaded and can cause serious injury if allowed to spring free.

Connect parts "B-1" and "B-2"



Connect steel square tubes with screws "S"



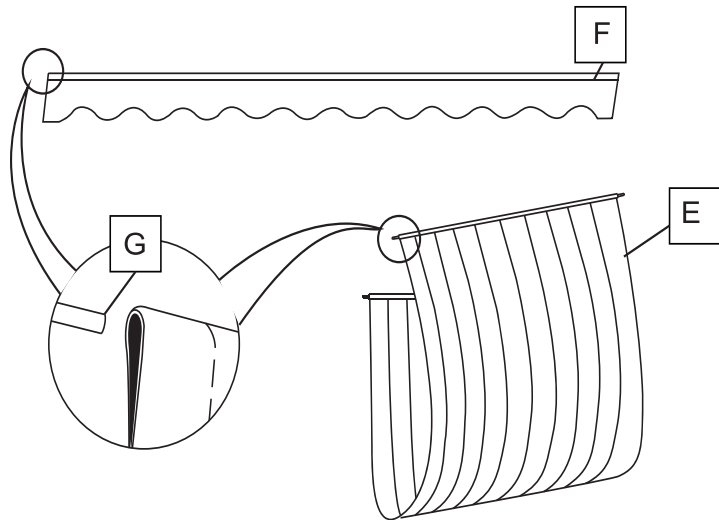
Put the square tube "B-1" into the part "D-1" and tighten the screws on part "D-1"

**G** X3

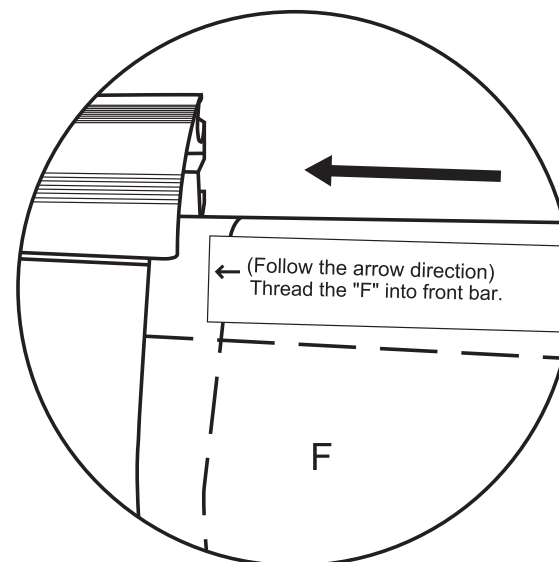
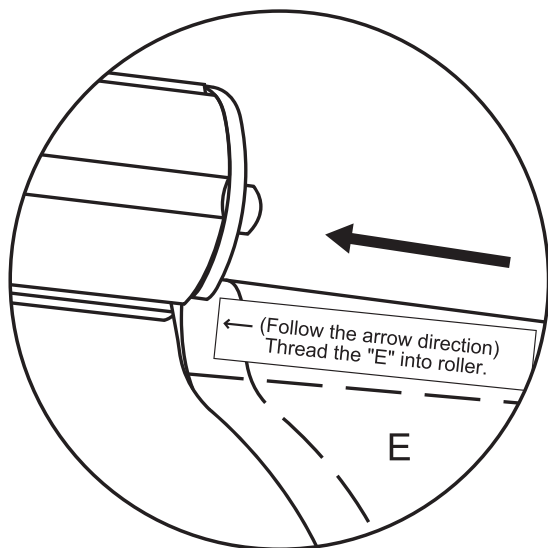
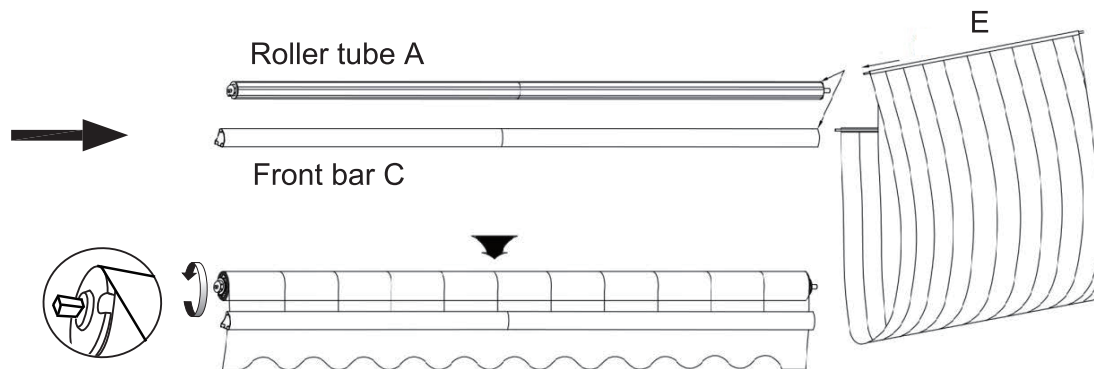
**E** X1

**F** X1

Plastic rope "G" should be through into fabric "E" and flap "F"



Thread the fabric into the groove of the tube



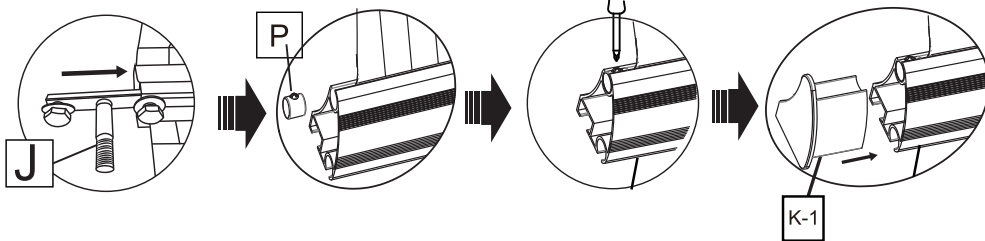
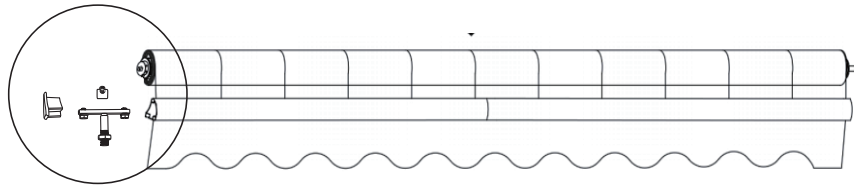
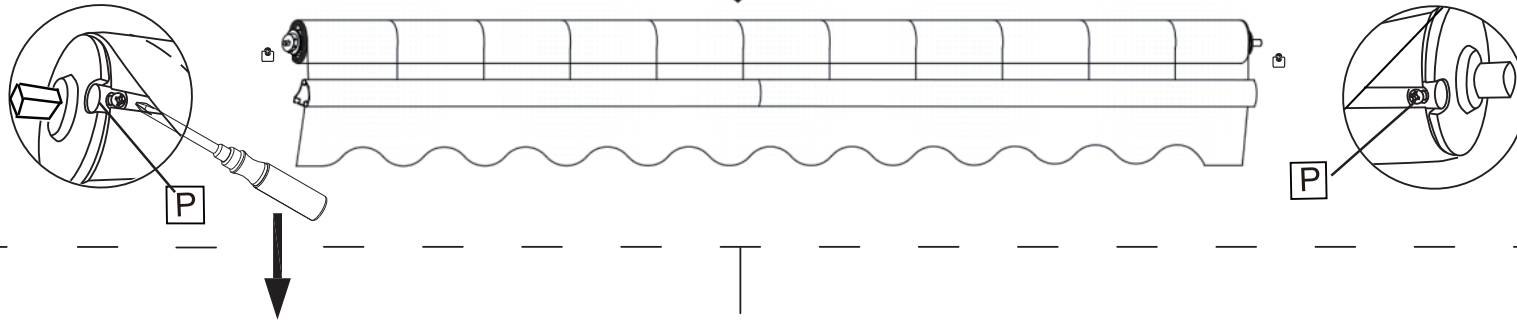
J X2

P X4

K-1 X1

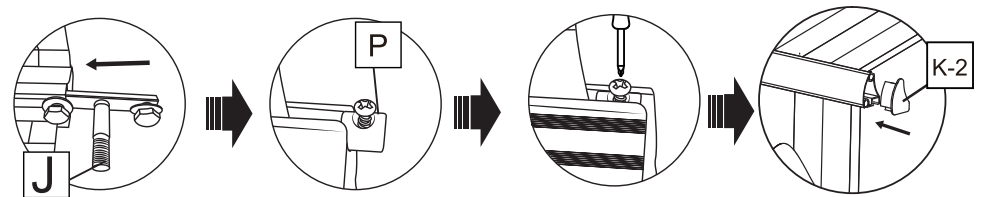
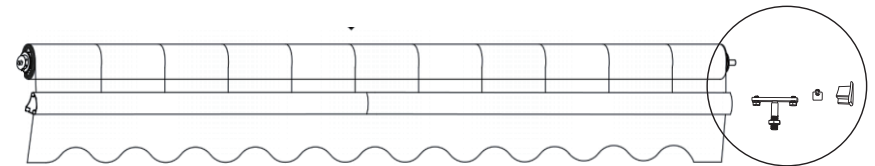
K-2 X1

Put parts "P" into groove of roller tube, 1pc on the left and right ends and tighten the screws



Put parts "J" and "P" into left groove of front tube, then tighten the screws on the "P"

Insert the plug "K-1" into front tube, a wooden hammer tool can be used to help with installation.

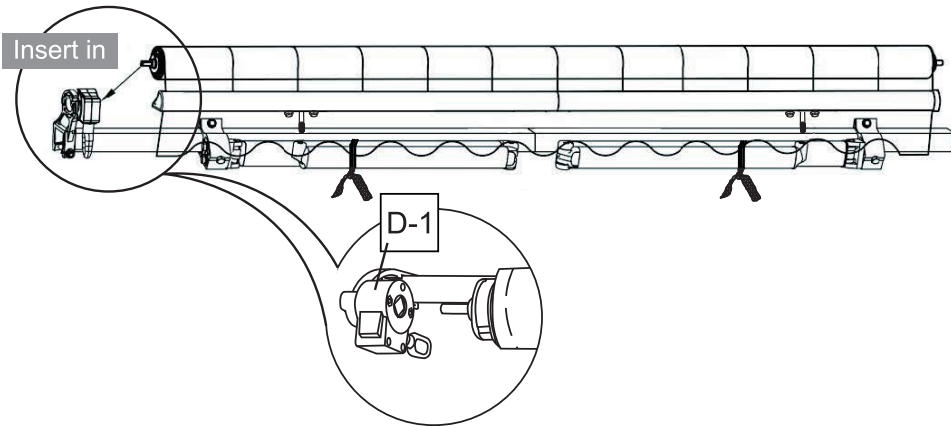
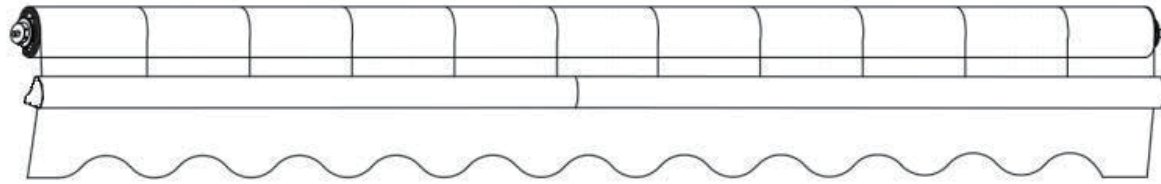
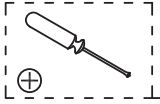


Put parts "J" and "P" into right groove of front tube, then tighten the screws on the "P"

Insert the plug "K-2" into front tube, a wooden hammer tool can be used to help with installation.

D-1 X1

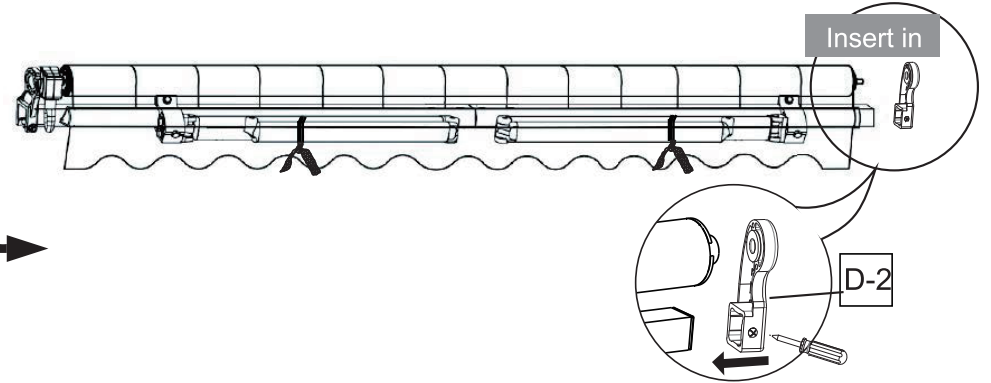
D-2 X1



Insert in

D-1

Insert the roller into the hole of the "D-1" gearbox.



Insert in

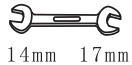
D-2

Connect roller with part "D-2", and tighten screws.

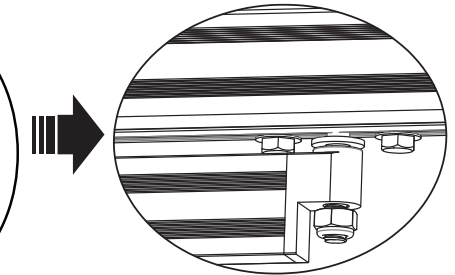
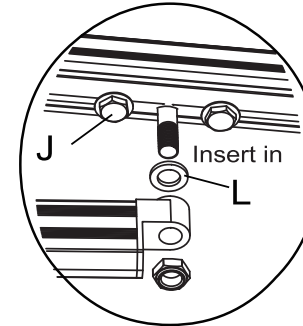
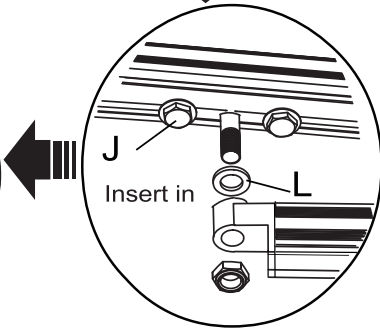
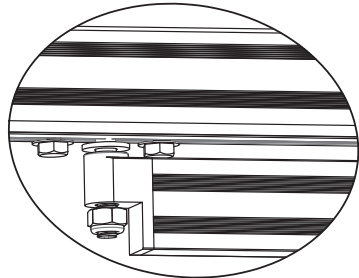
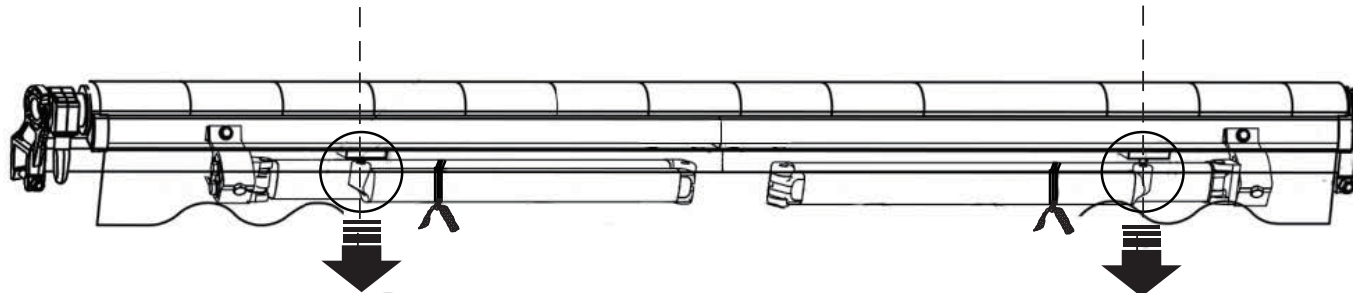
L X2



**Attention:**  
Do not remove the bindings holding the two extension arms until fully assembled. These are spring-loaded and can cause serious injury if allowed to spring free.

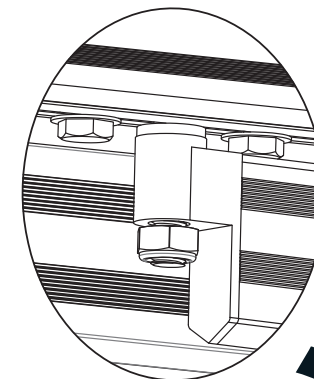
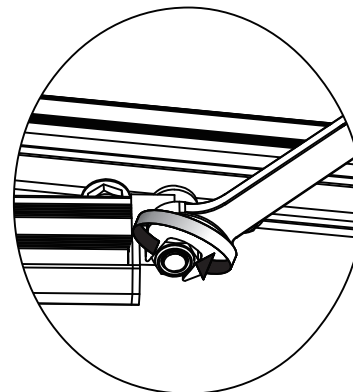
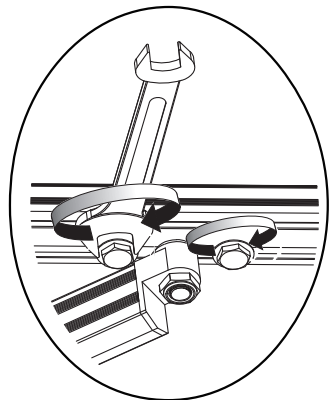


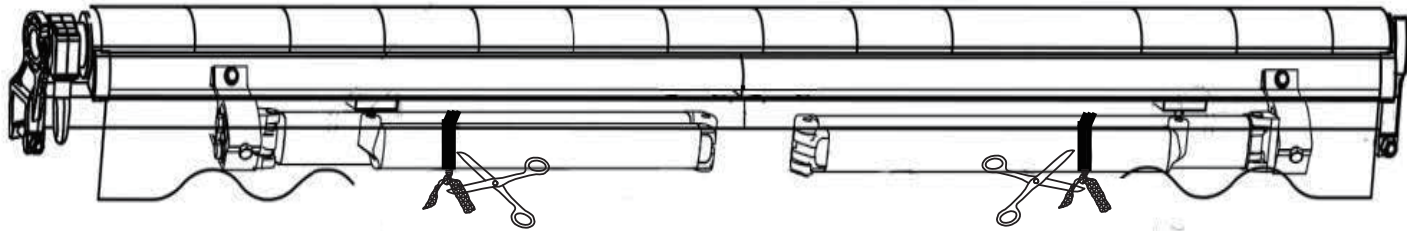
14mm 17mm



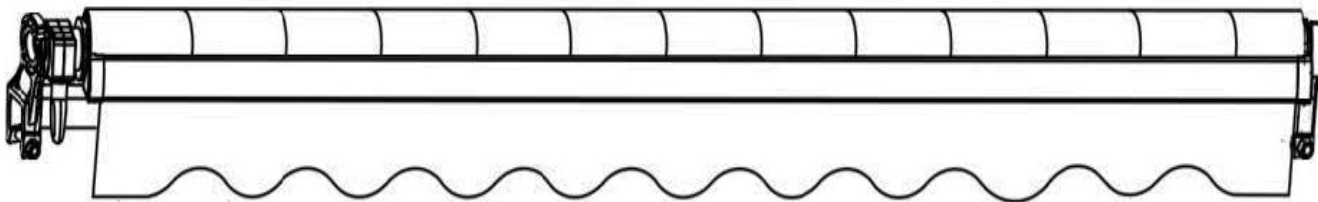
Insert Part "J" into the arm, then place the arm close to the square tube "B", keeping the arm parallel to tube "B" (this is an important step!!!)

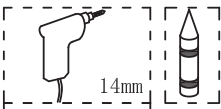
Fully tighten the screw nuts





⚠ Cut off the bandings after the awning is fully assembled.

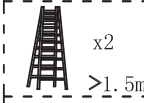




14mm

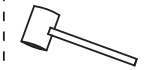


17mm

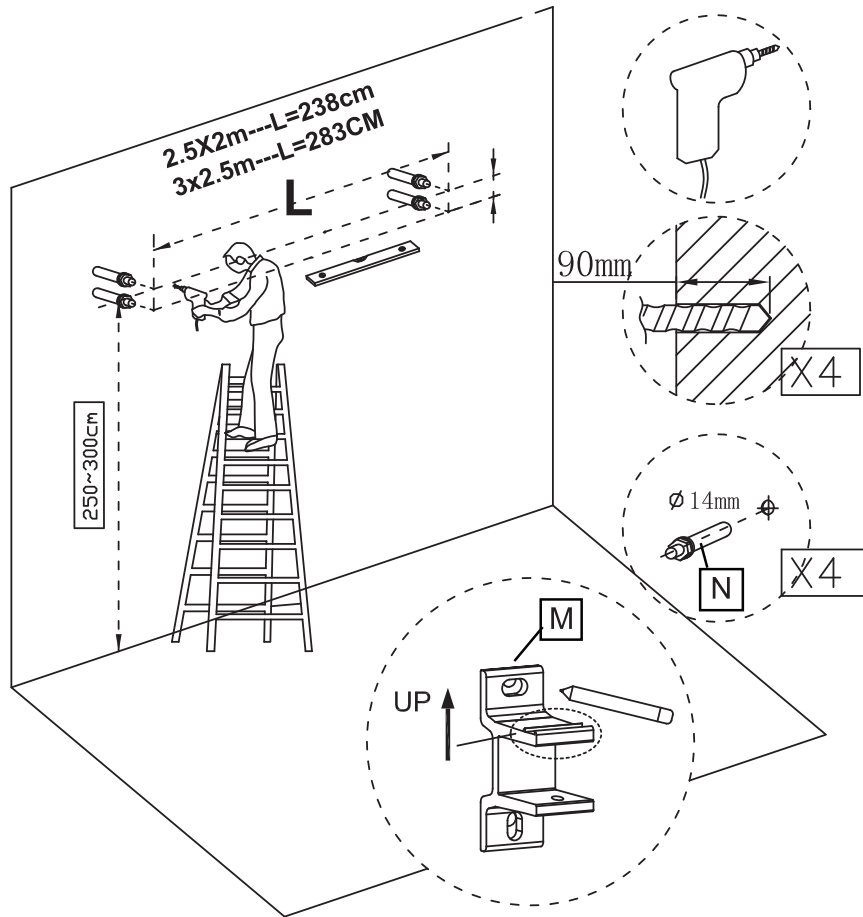


x2

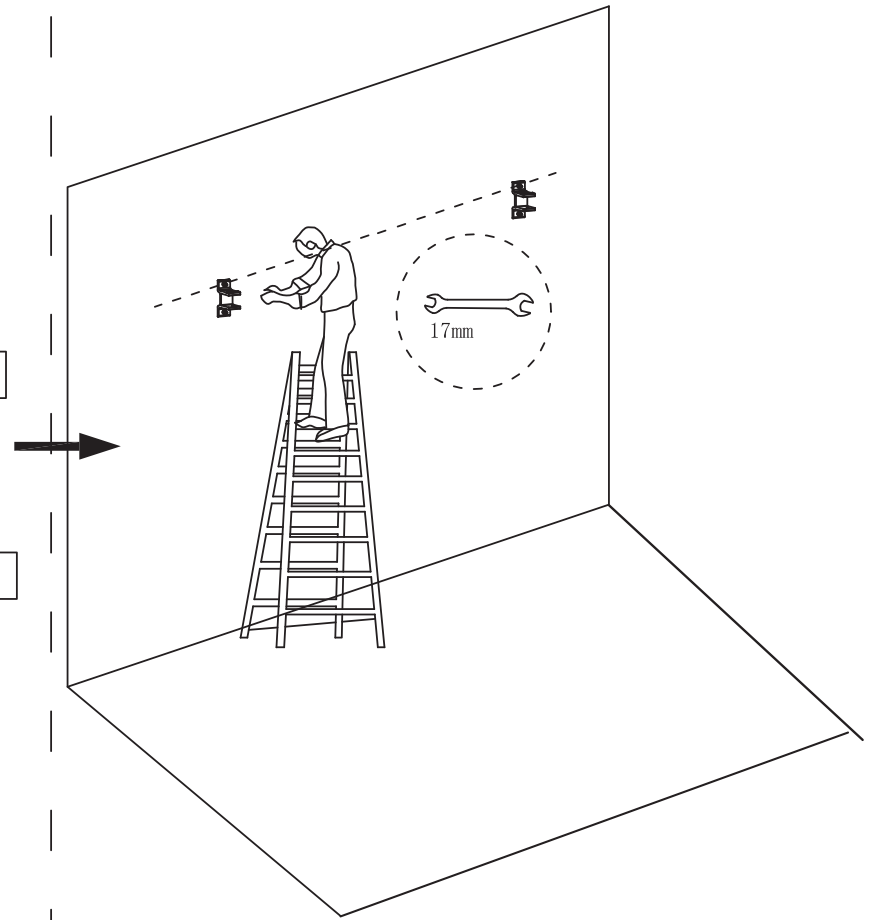
>1.5m



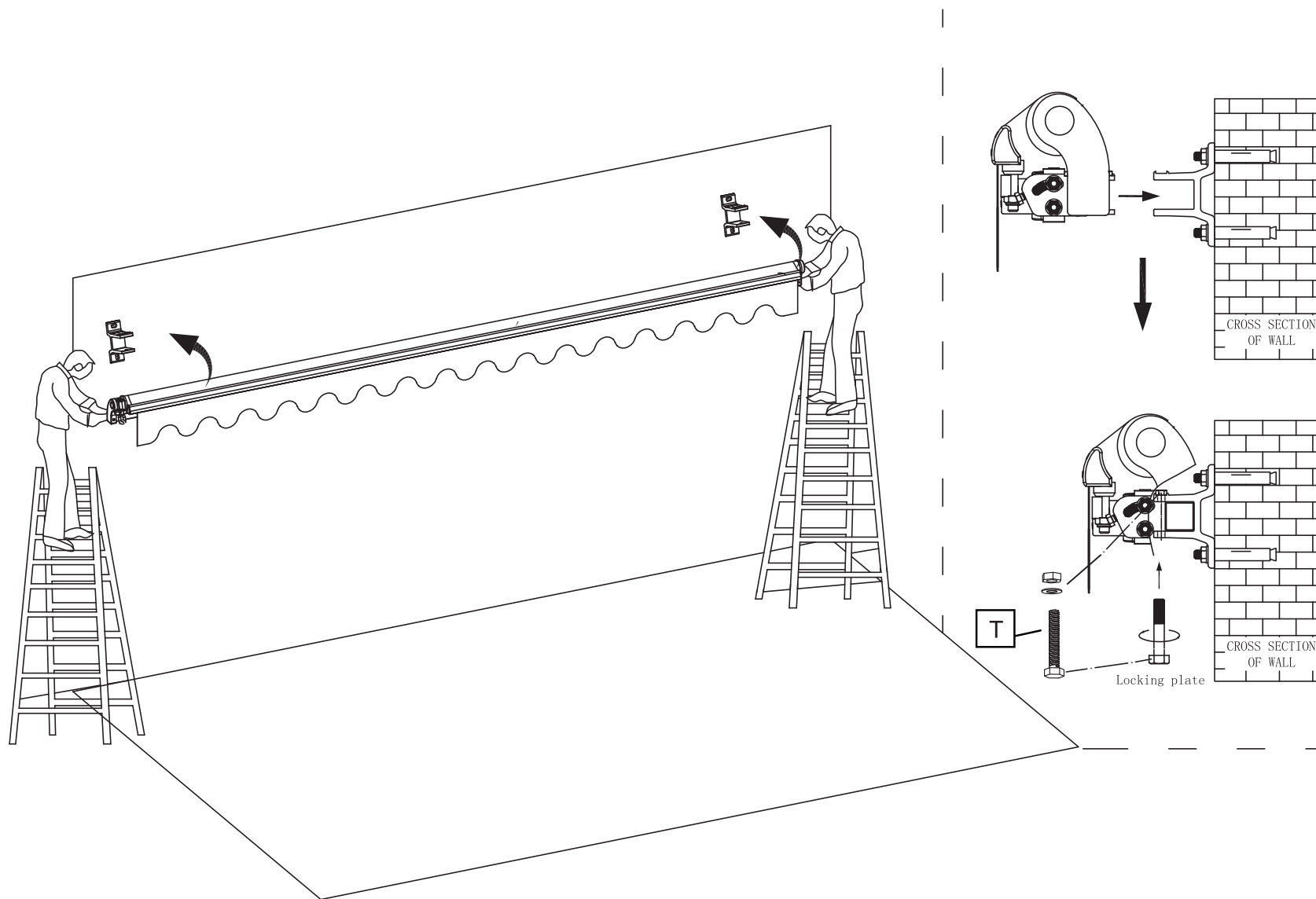
According to the size of the awning, find a suitable height on the wall. Mark the position of the wall bracket with a marker pen and then drill holes.

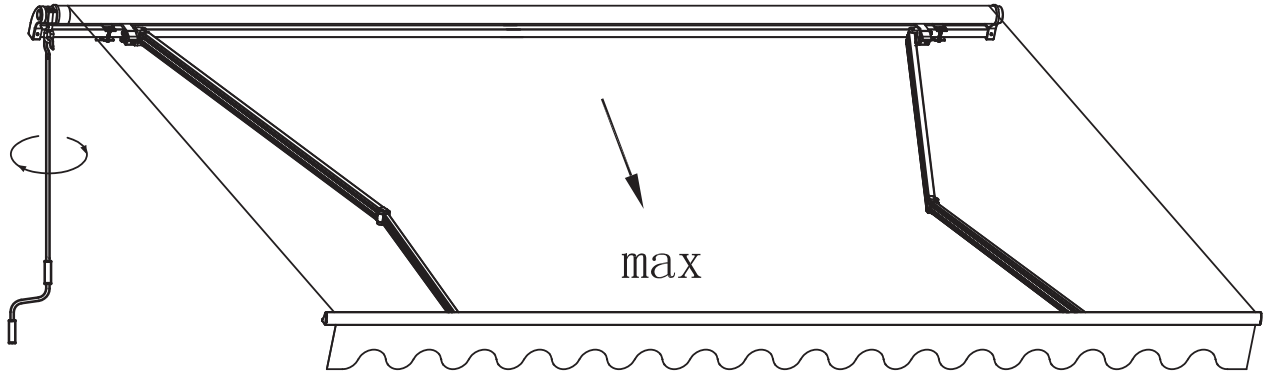
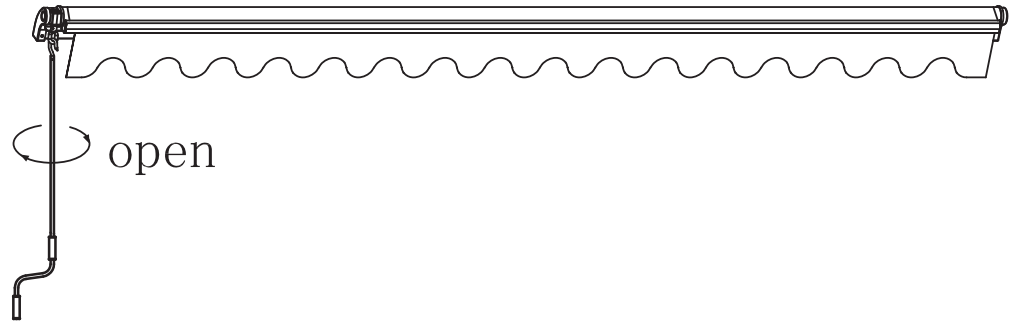


Install the expansion screws to secure the wall bracket firmly to the wall.

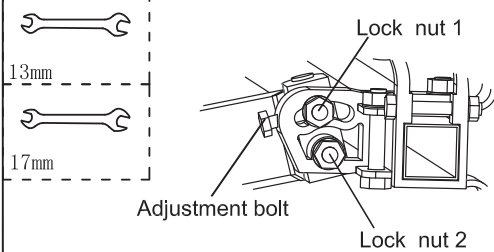
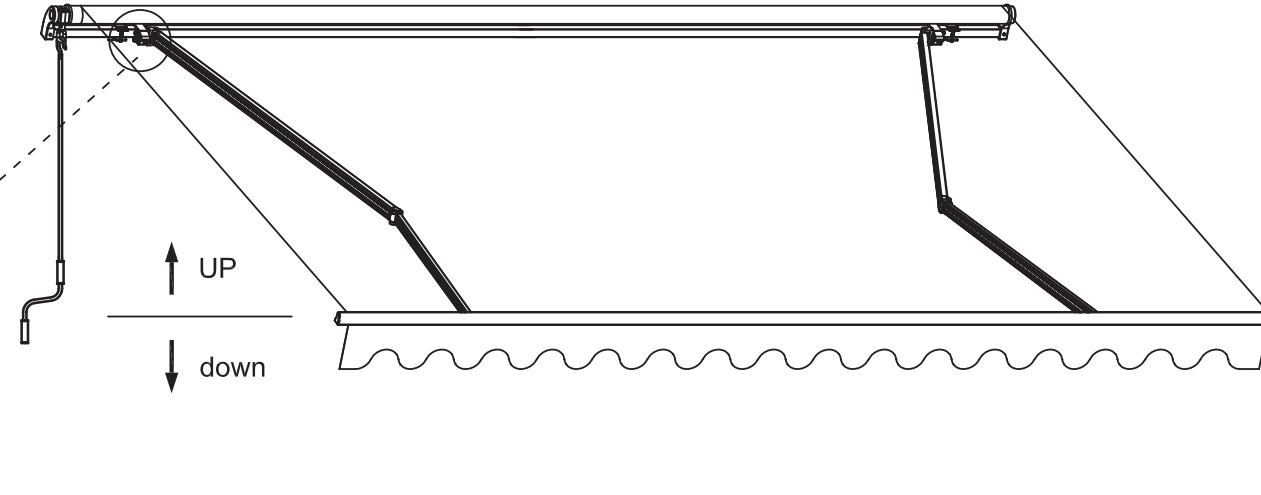


Install the sunshade on the wall bracket and tighten the screws indicated as T on the wall bracket.





Adjustment area



Adjustment

Front Bar  
UP

Lock nut 1, loosen  
Lock nut 2, loosen

Adjustment bolt  
fasten

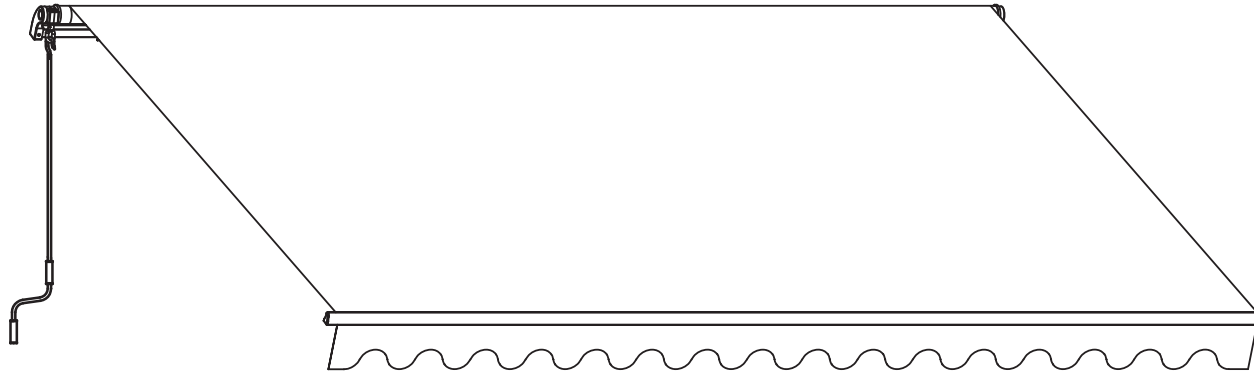
Lock nut 1, fasten  
Lock nut 2, fasten

Front Bar  
Down

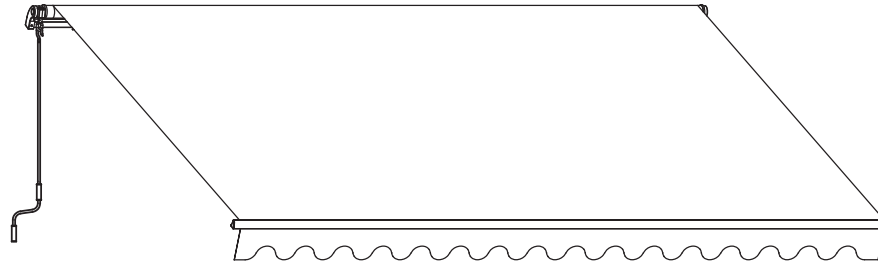
Lock nut 1, loosen  
Lock nut 2, loosen

Adjustment bolt  
loosen

Lock nut 1, fasten  
Lock nut 2, fasten



**Enjoy your product!**



## **Care and Cleaning**

- 1. For best results, clean the awning with a damp cloth and dry thoroughly. This will help prevent mildew by removing dirt particles that may accumulate.**
- 2. Do not clean with abrasive materials, bleach, or solvents.**
- 3. Store the awning in a dry, sheltered place when not in use.**
- 4. Keep the awning away from fire, extreme heat, freezing conditions, and inclement weather such as rain, hail, sleet, snow, or wind.**