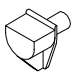
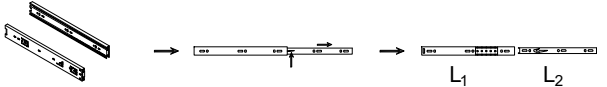


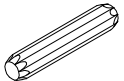

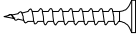
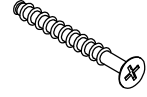
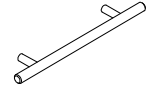

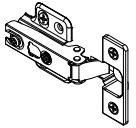

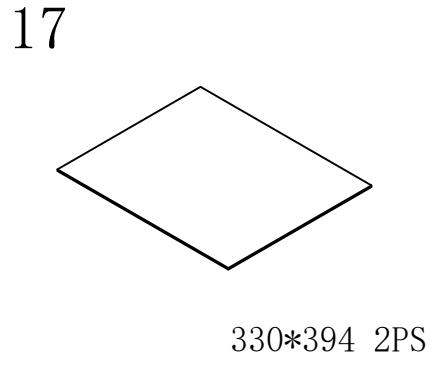
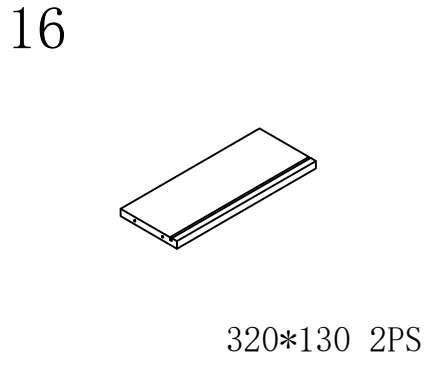
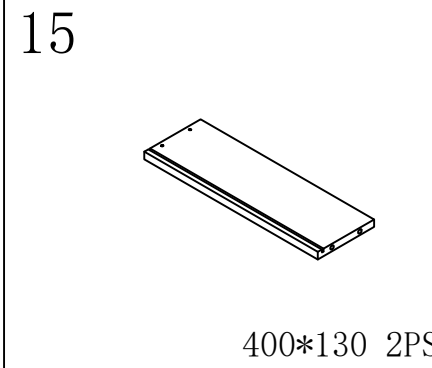
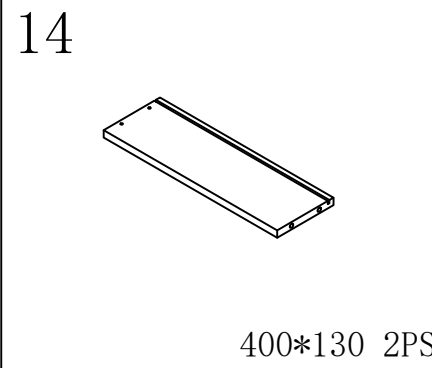
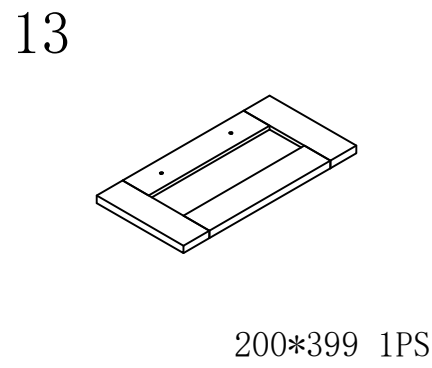
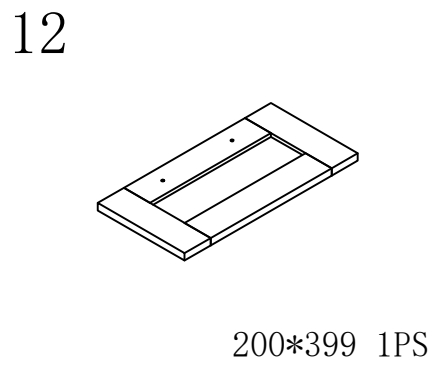
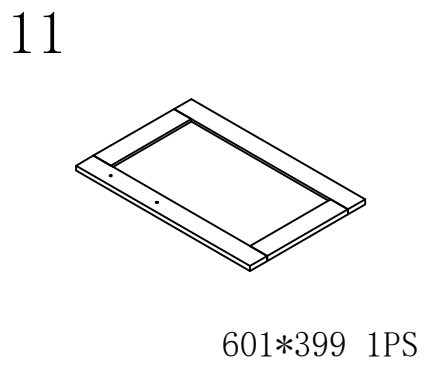
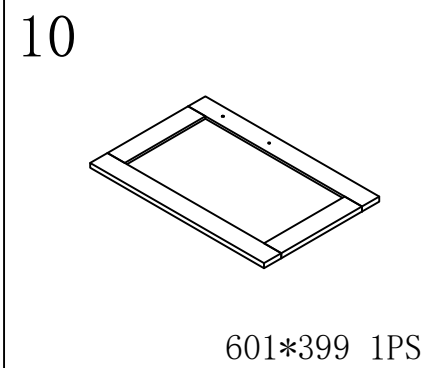
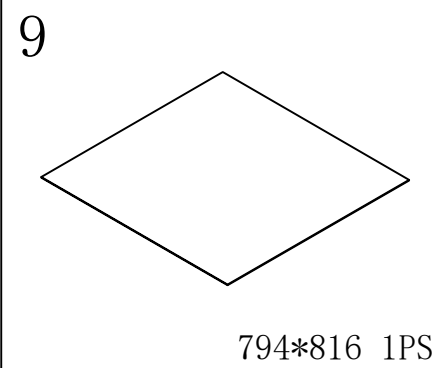
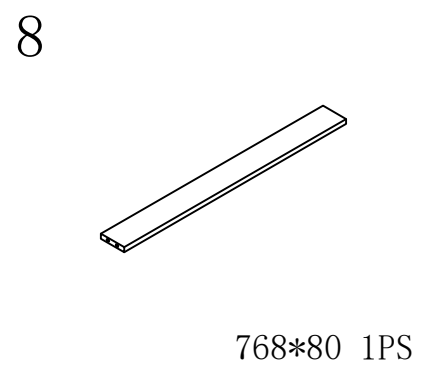
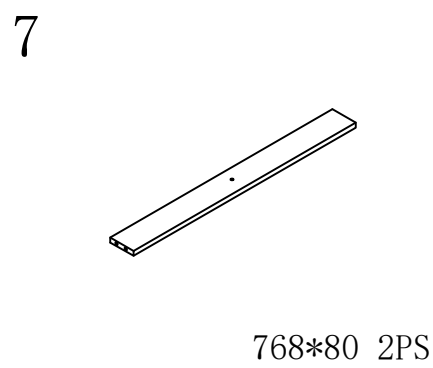
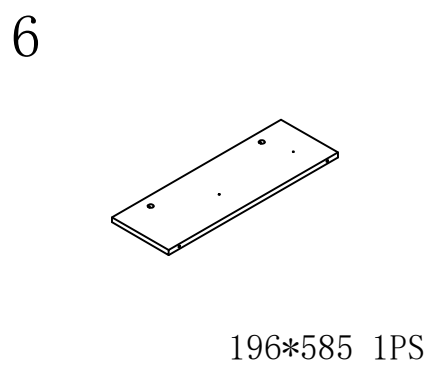
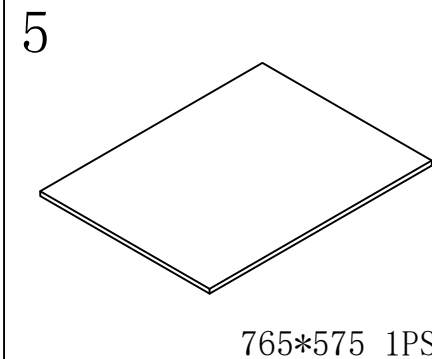
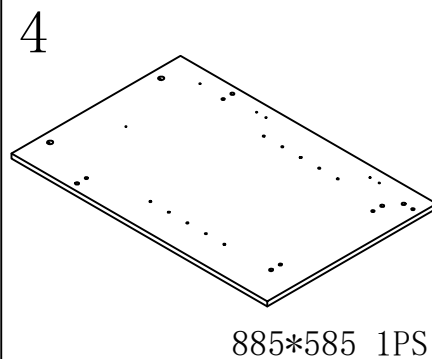
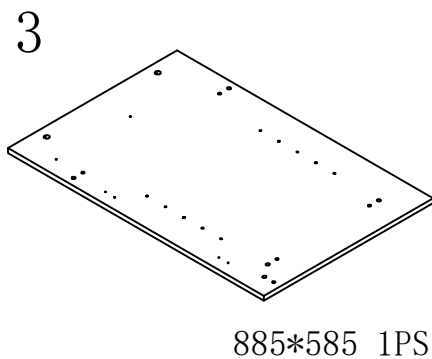
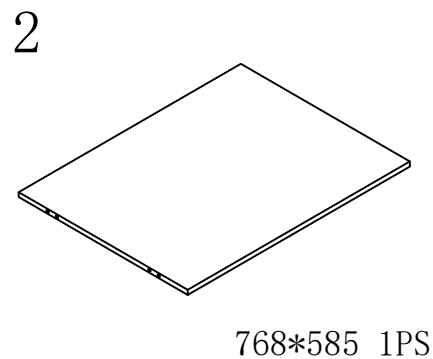
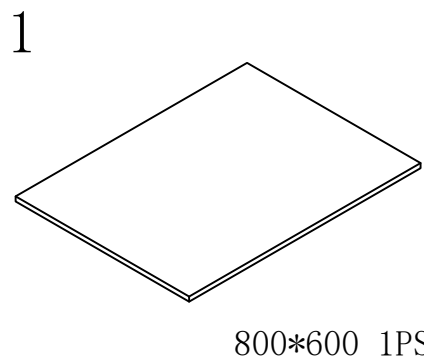


<p>K</p>  <p>4PCS</p>	<p>L</p> <p>400mm</p>  <p>2PCS</p>								
<p>A</p>  <p>28PCS</p>	<p>B</p>  <p>28PCS</p>	<p>C</p> <p>8*40</p>  <p>18PCS</p>	<p>D</p> <p>3.5*14</p>  <p>32PCS</p>	<p>E</p> <p>3.5*35</p>  <p>8PCS</p>	<p>F</p> <p>7*50</p>  <p>2PCS</p>	<p>G</p>  <p>4PCS</p>	<p>H</p> <p>4*20</p>  <p>8PCS</p>	<p>I</p>  <p>4PCS</p>	<p>J</p>  <p>18PCS</p>

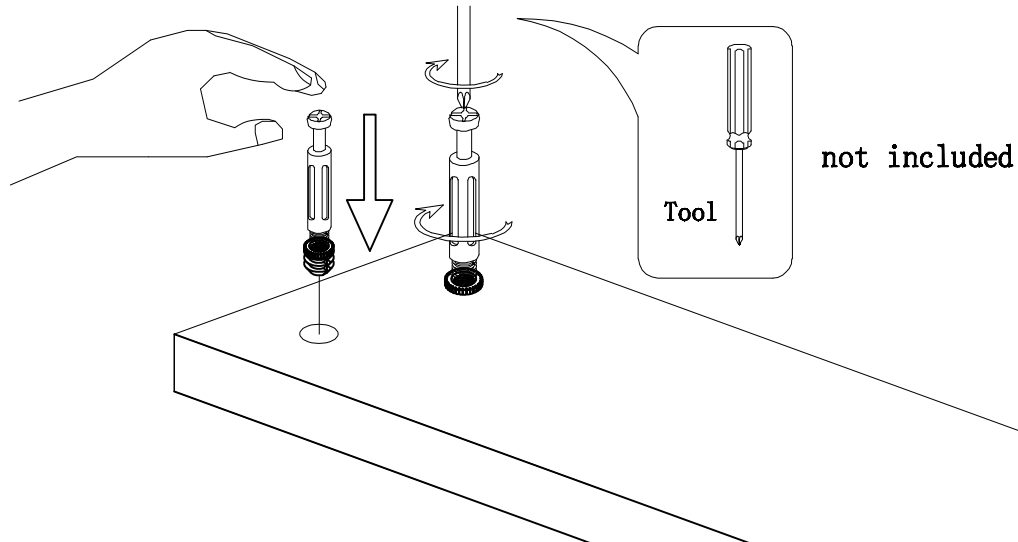




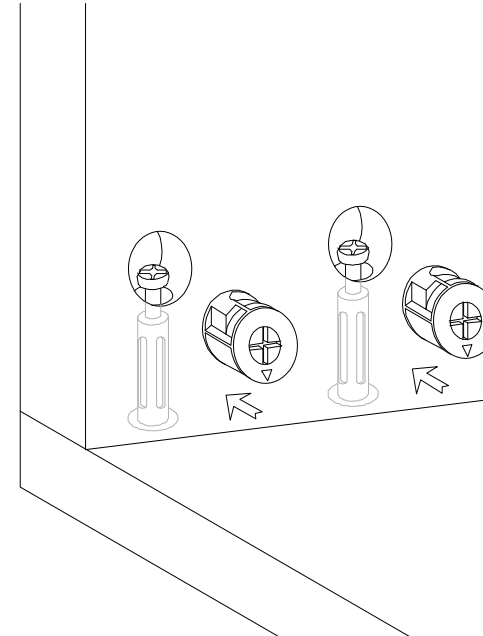
Hardware installation demonstration

NOTE: Please make sure "A" hardware tightened and can't be pulled out!

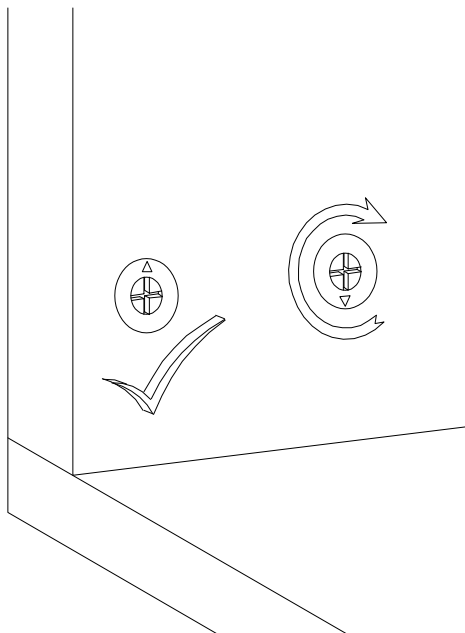
I



II



III

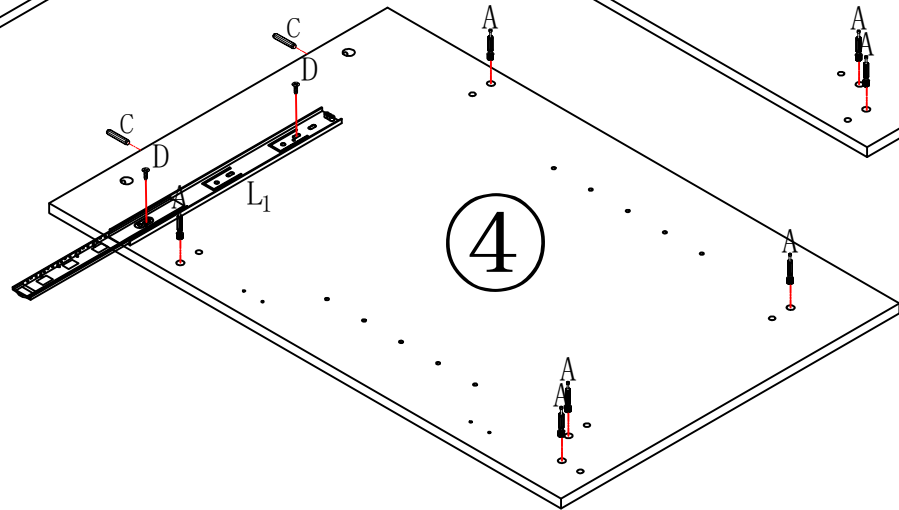
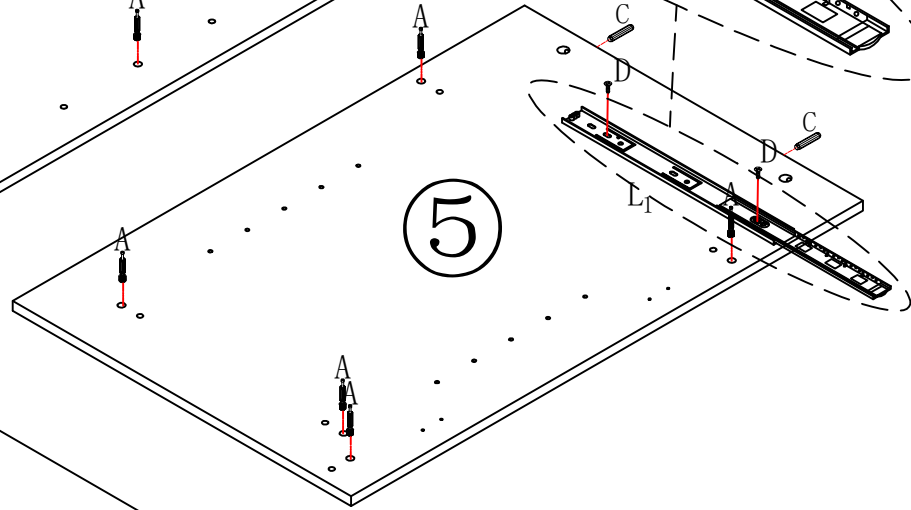
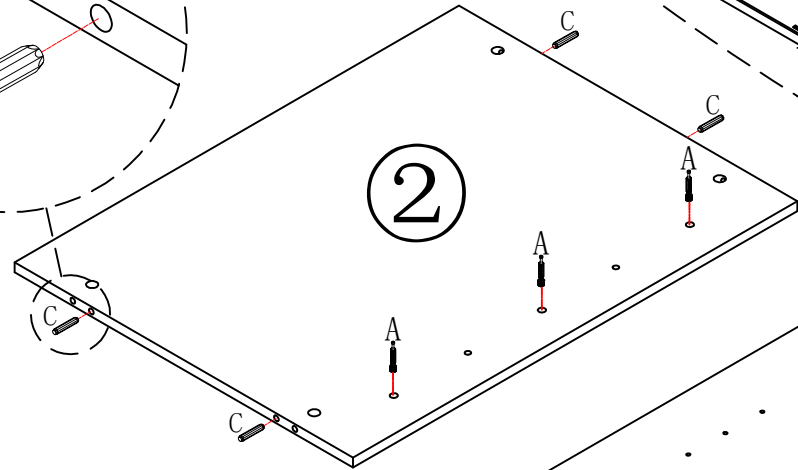
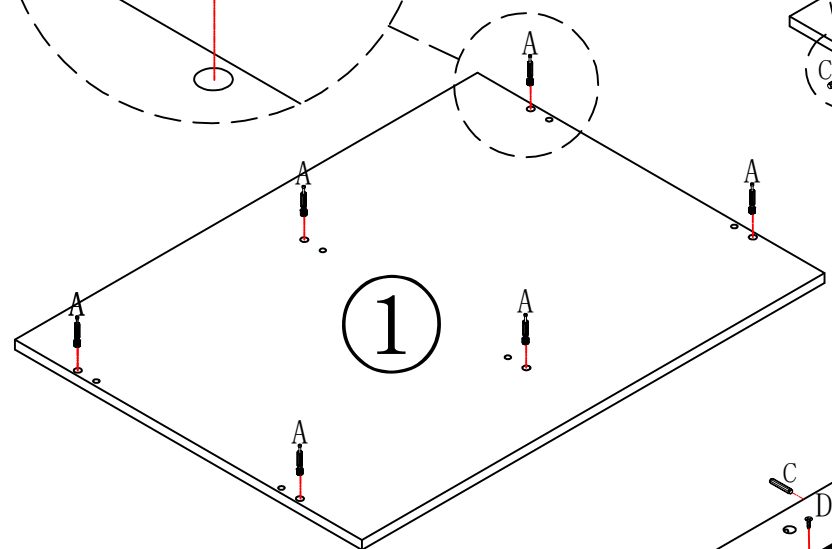
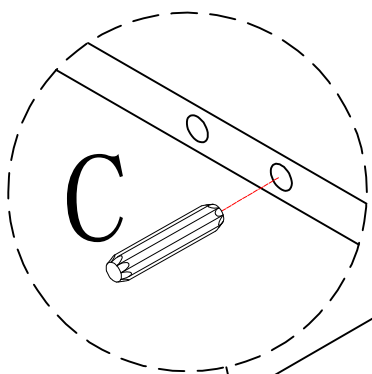
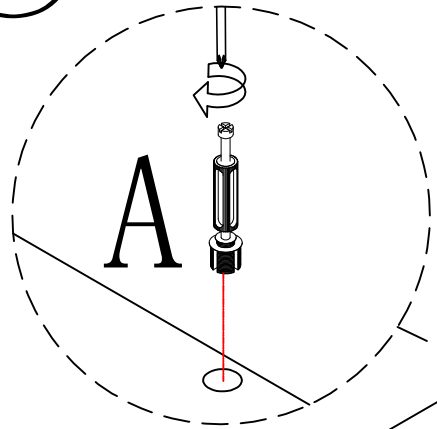



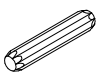
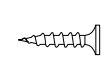

IV



Scan QR code for assembly video

①

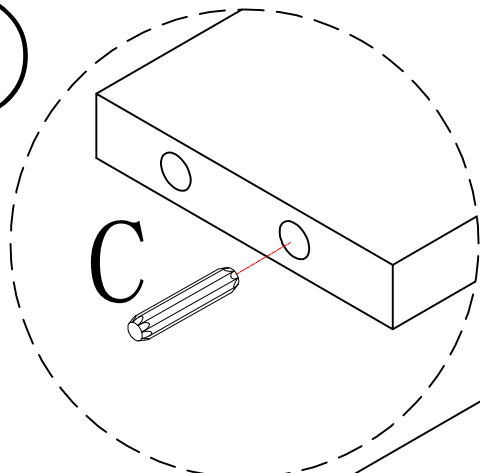


	A*19
	C*8
	D*4
	L ₁ *2

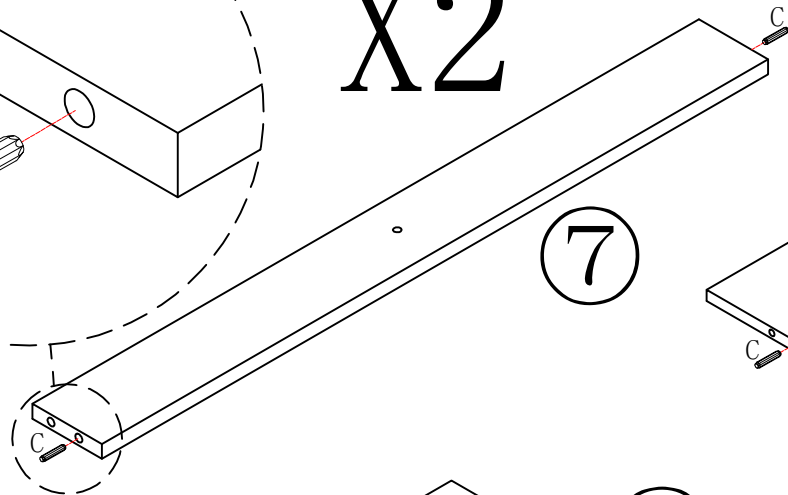
put A on board ① ② ④ ⑤

put C on board ① ② ④ ⑤

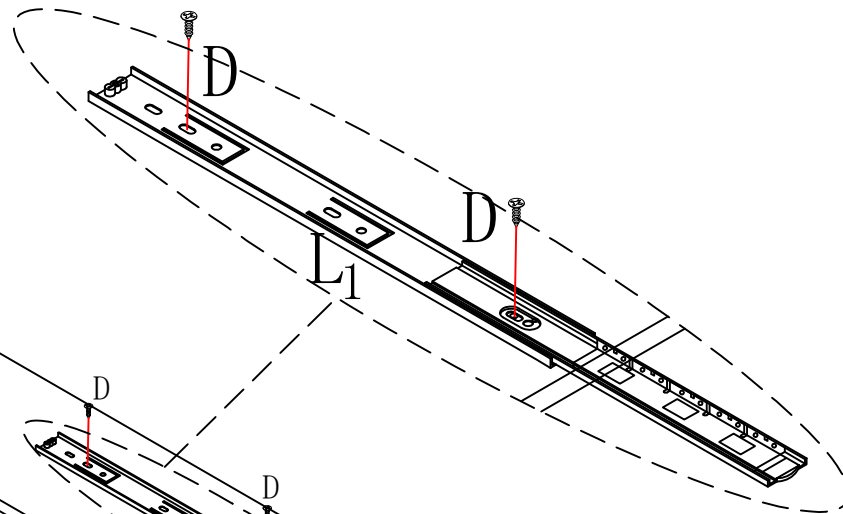
2



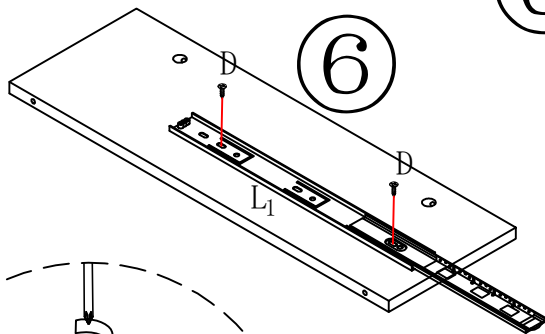
X2



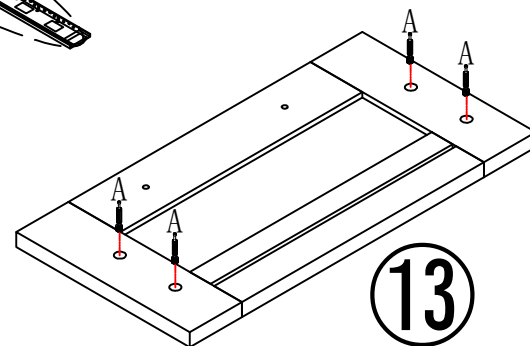
7



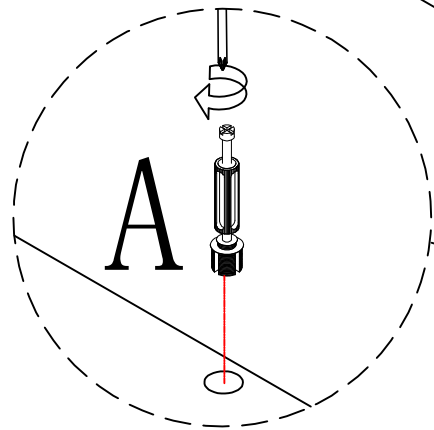
6



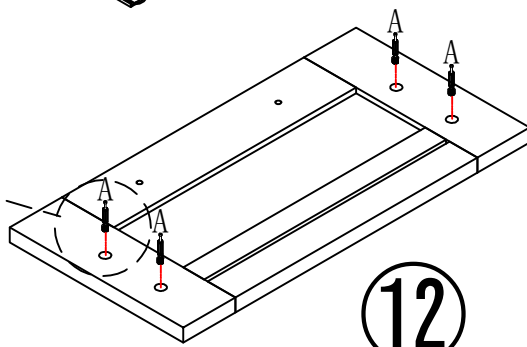
6



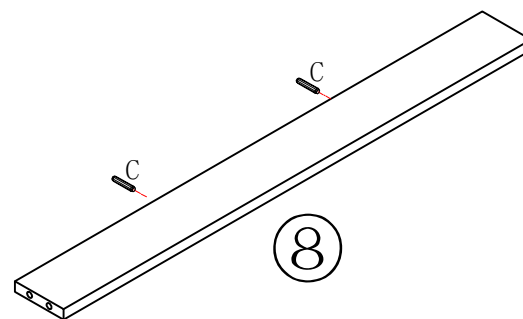
13




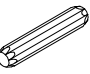
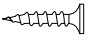

A



12



8

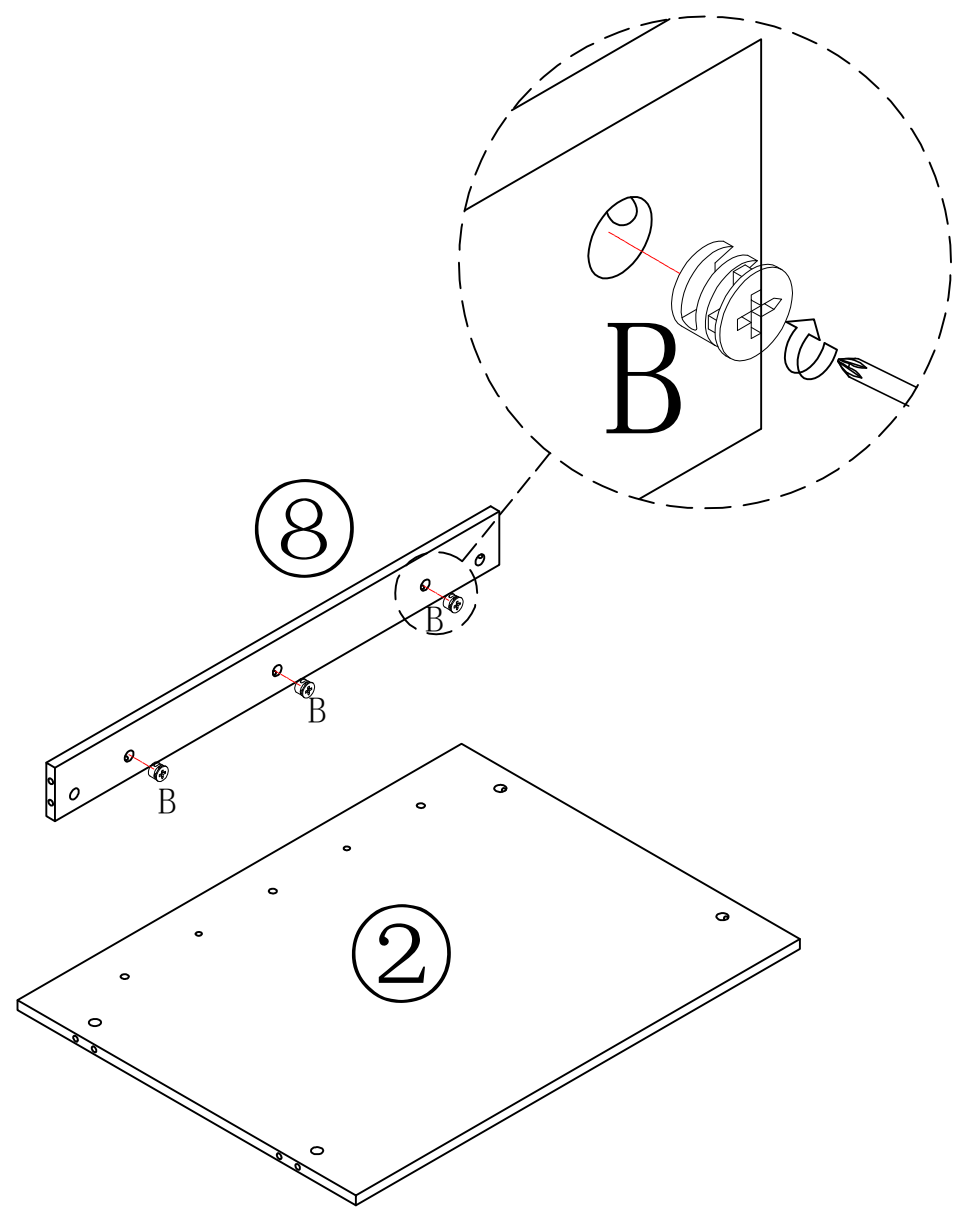
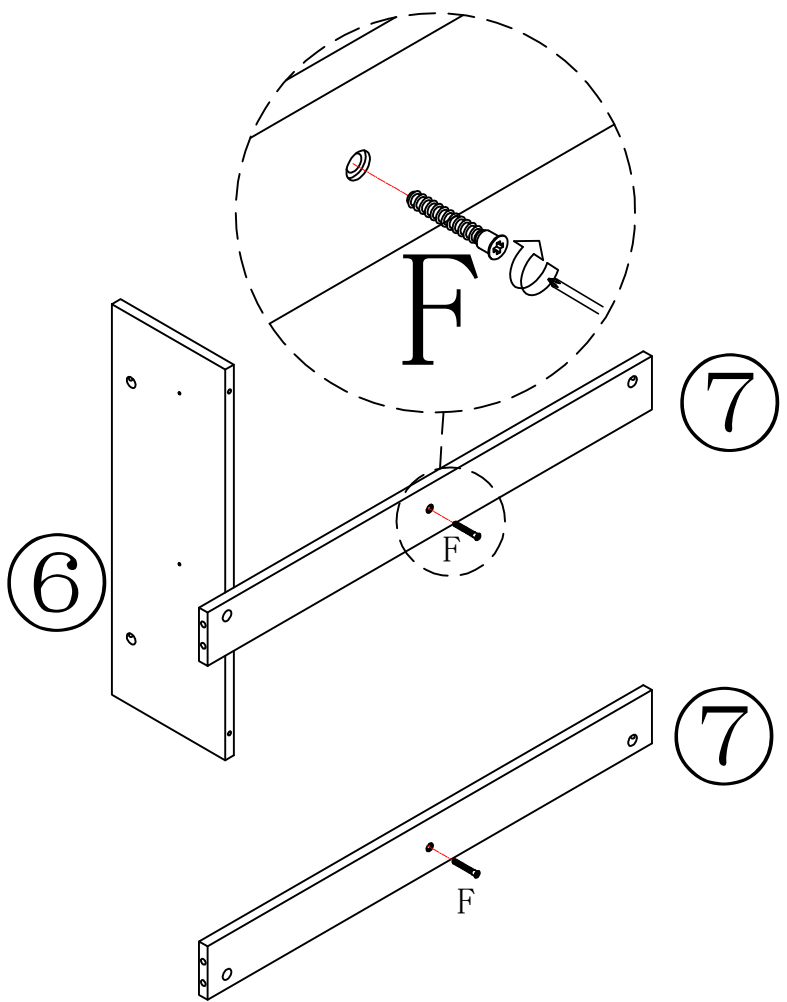
	A*8
	C*6
	D*4
	L ₁ *2



put A on board 12 13

put C on board 6 7 8

3

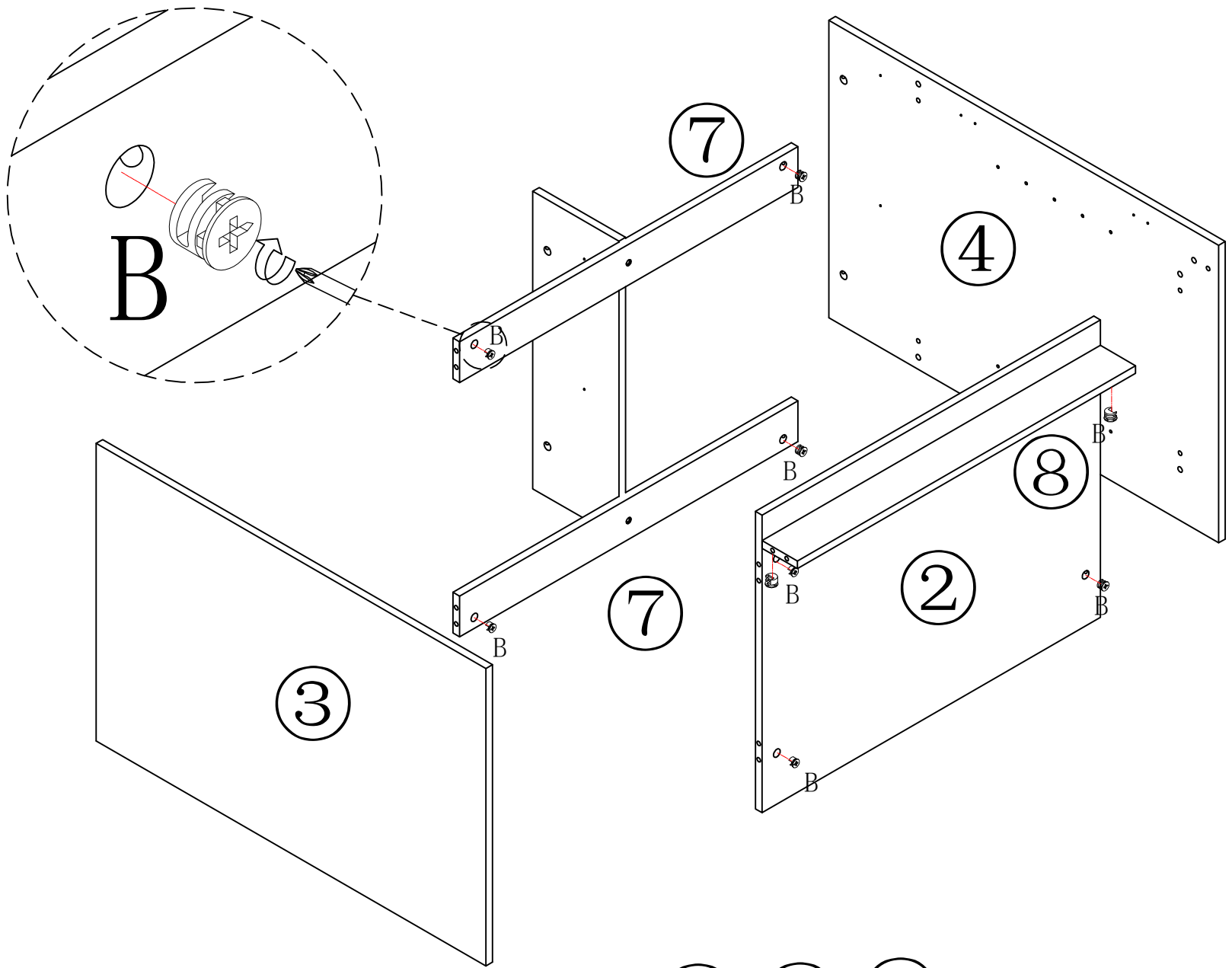
Make sure the arrow on the screw align to the hole on the side



	B*3
	F*2

put B on board 8

4

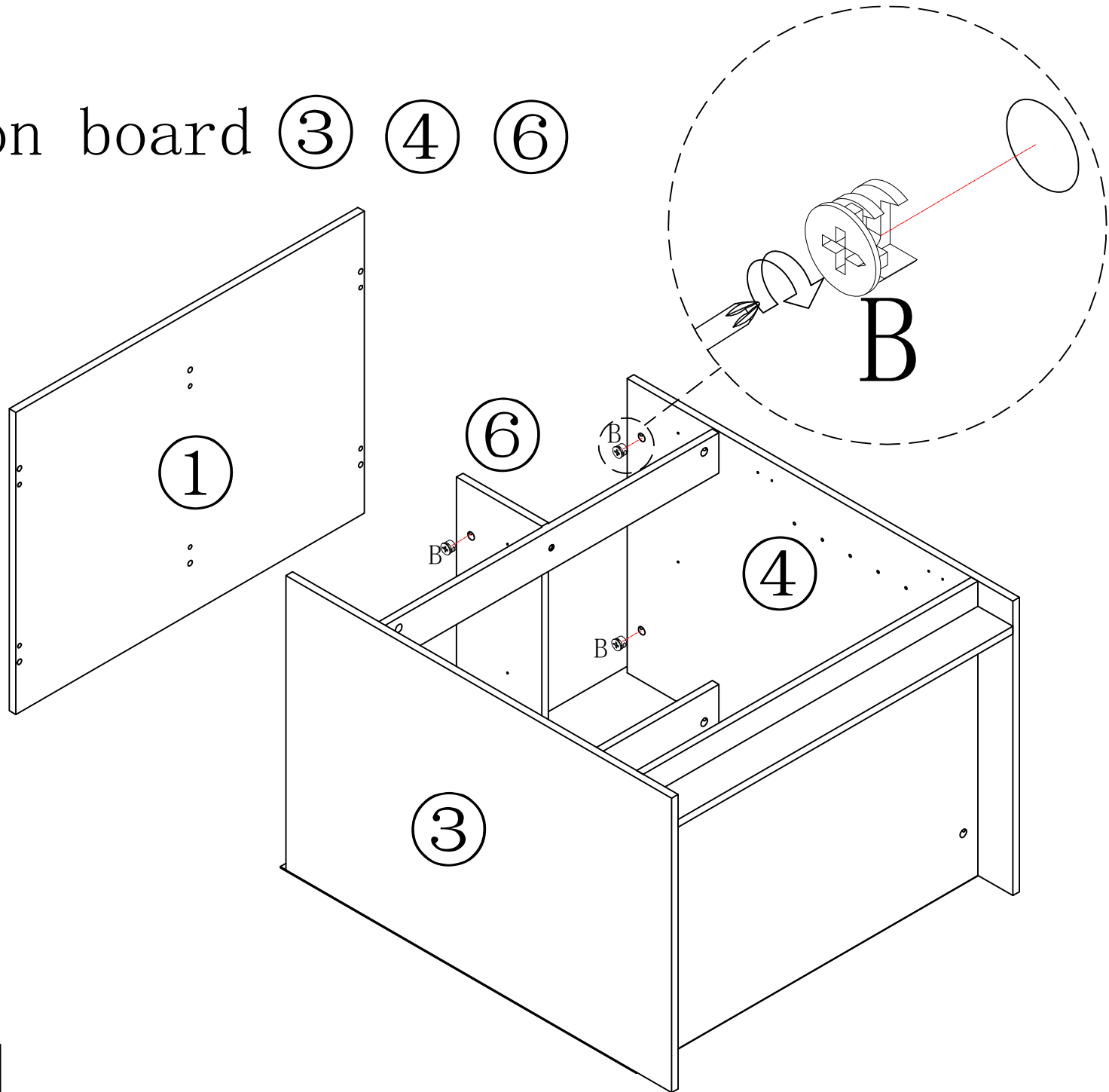


 B*10

put B on board 2 7 8

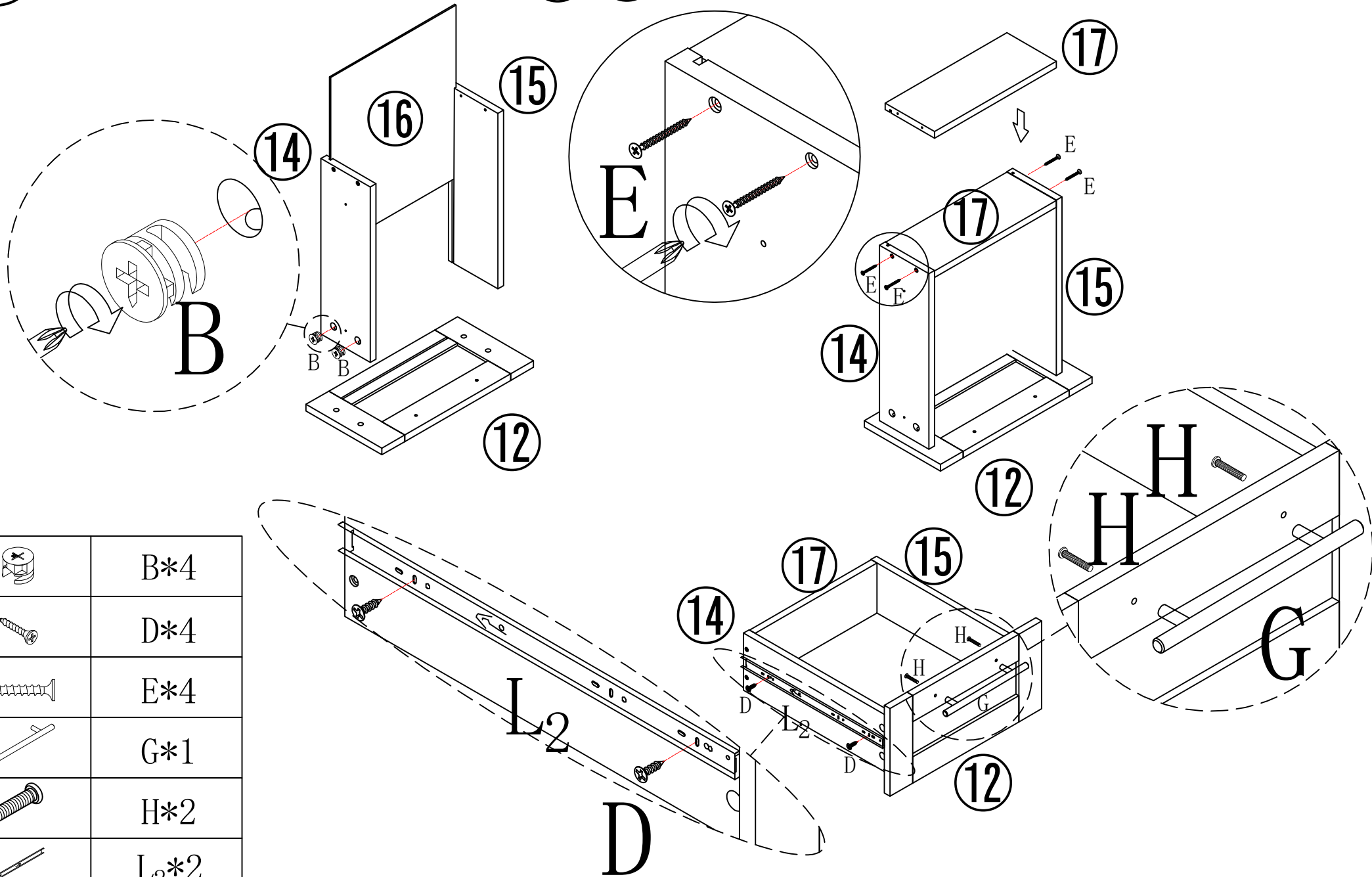
5



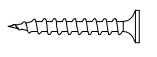
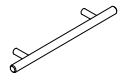
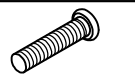

put B on board 3 4 6



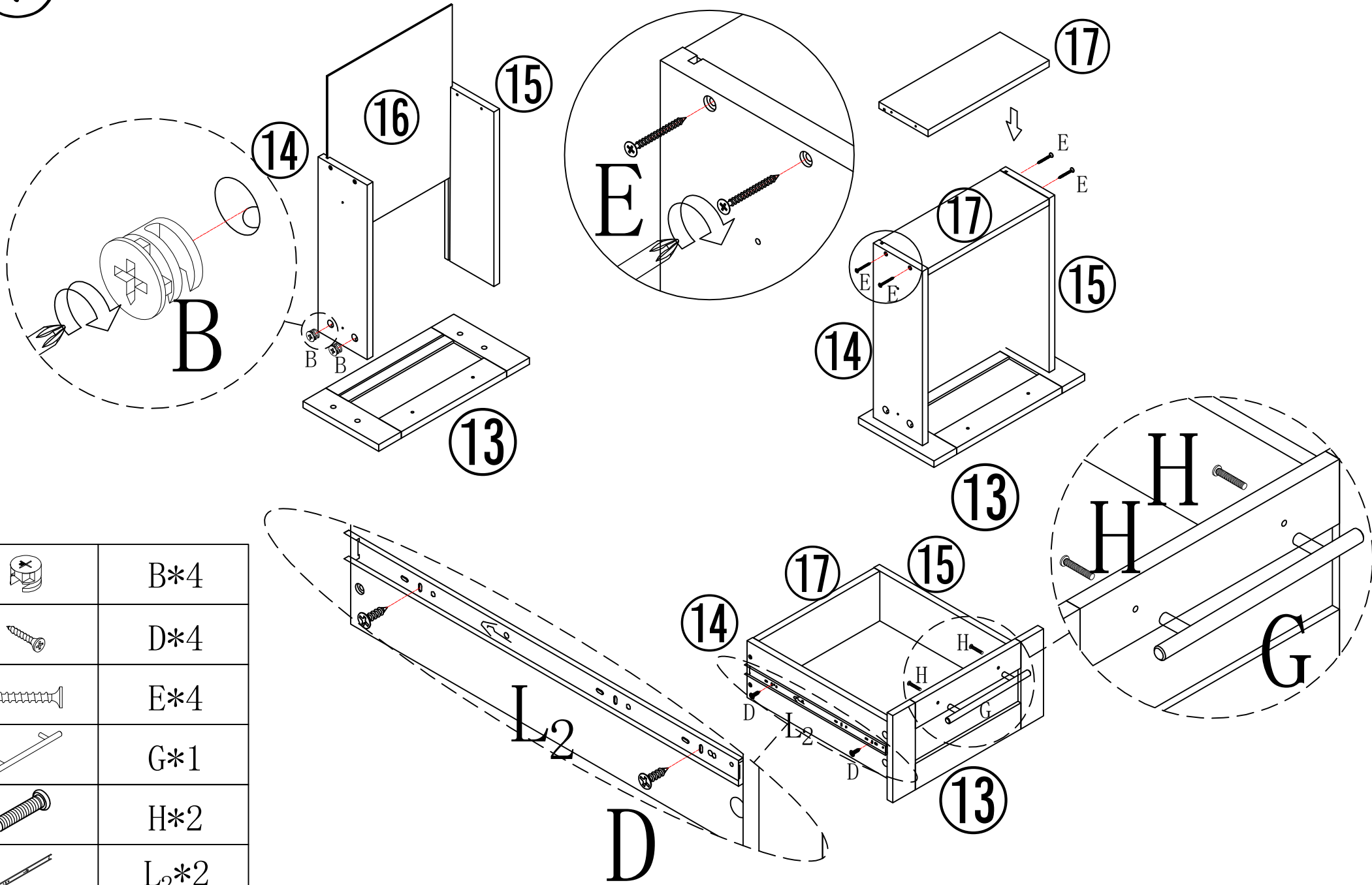
B*6



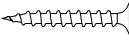
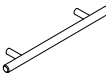


⑥ put B on board ⑭ ⑮



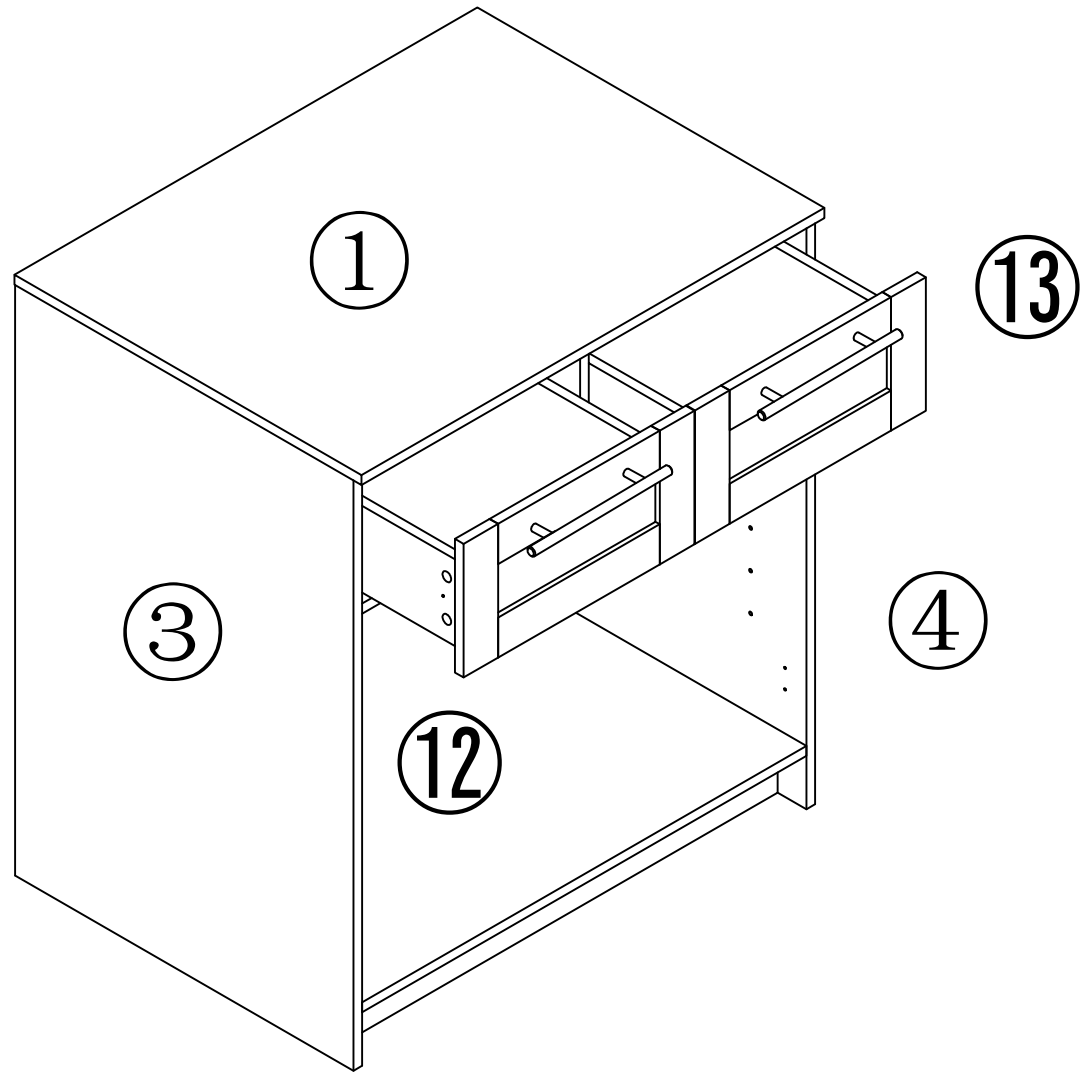
	B*4
	D*4
	E*4
	G*1
	H*2
	L ₂ *2

⑦ put B on board ⑭ ⑮

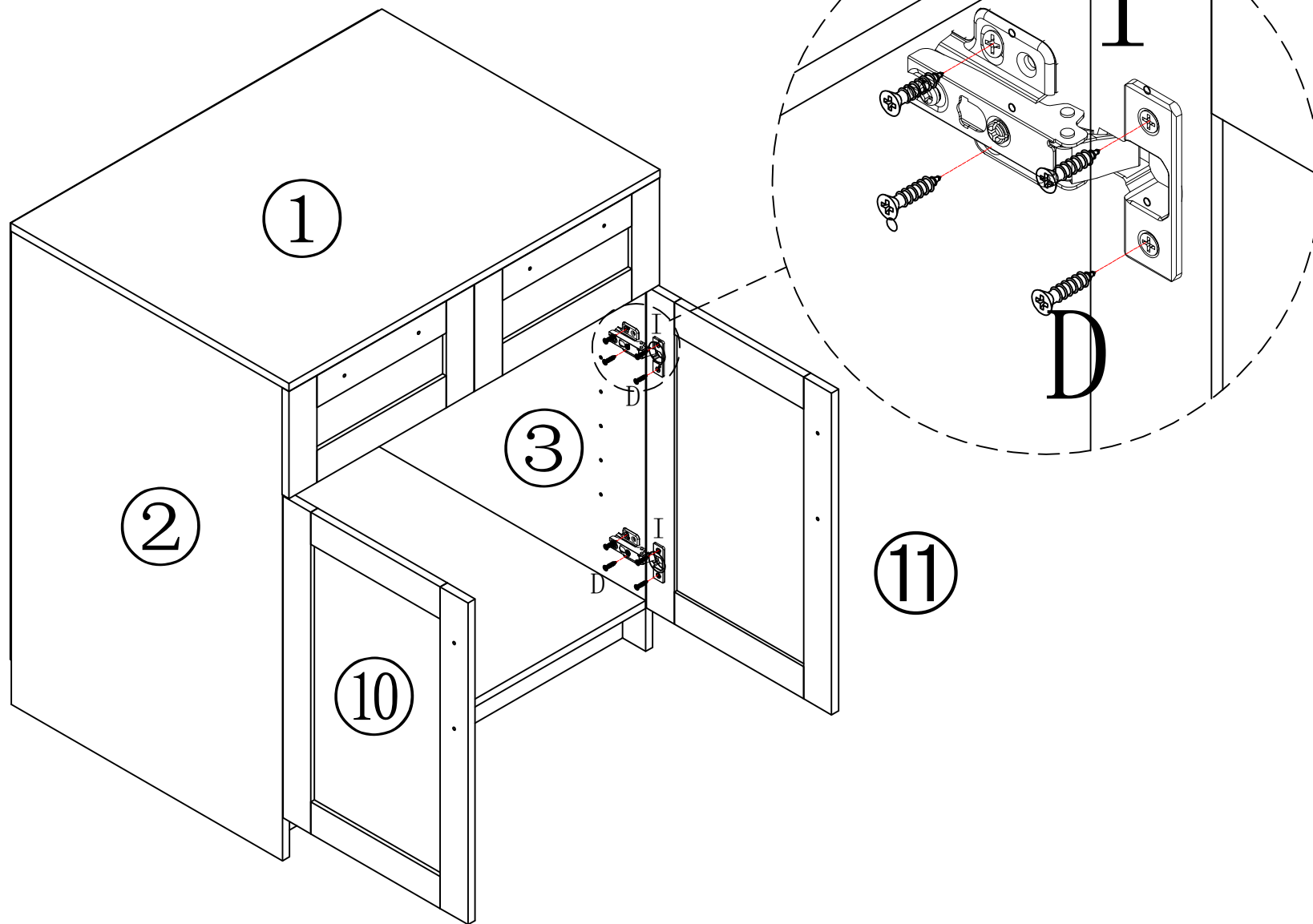


	B*4
	D*4
	E*4
	G*1
	H*2
	L ₂ *2

8



9

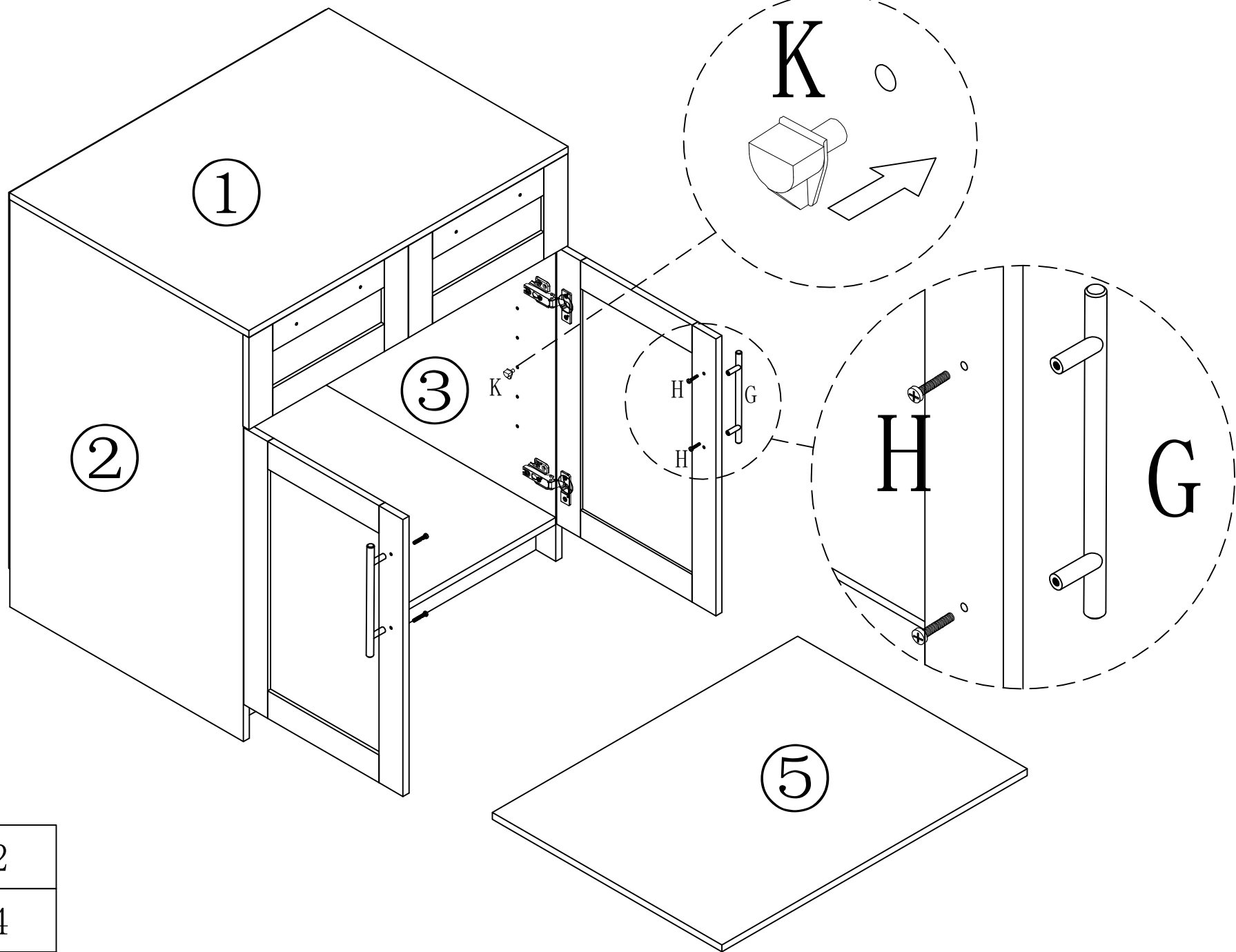


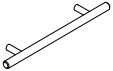


D*16



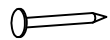
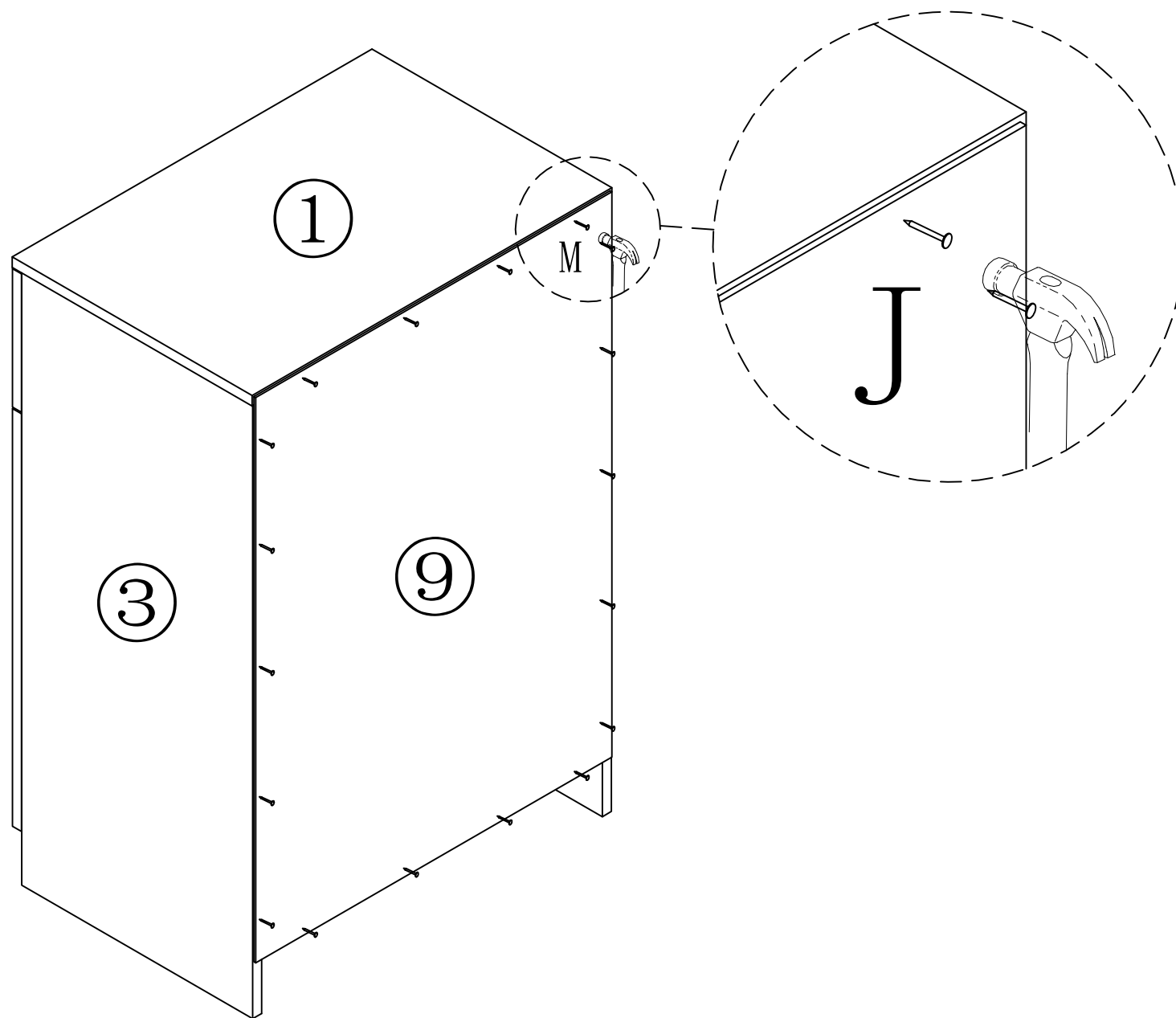
I*4

10



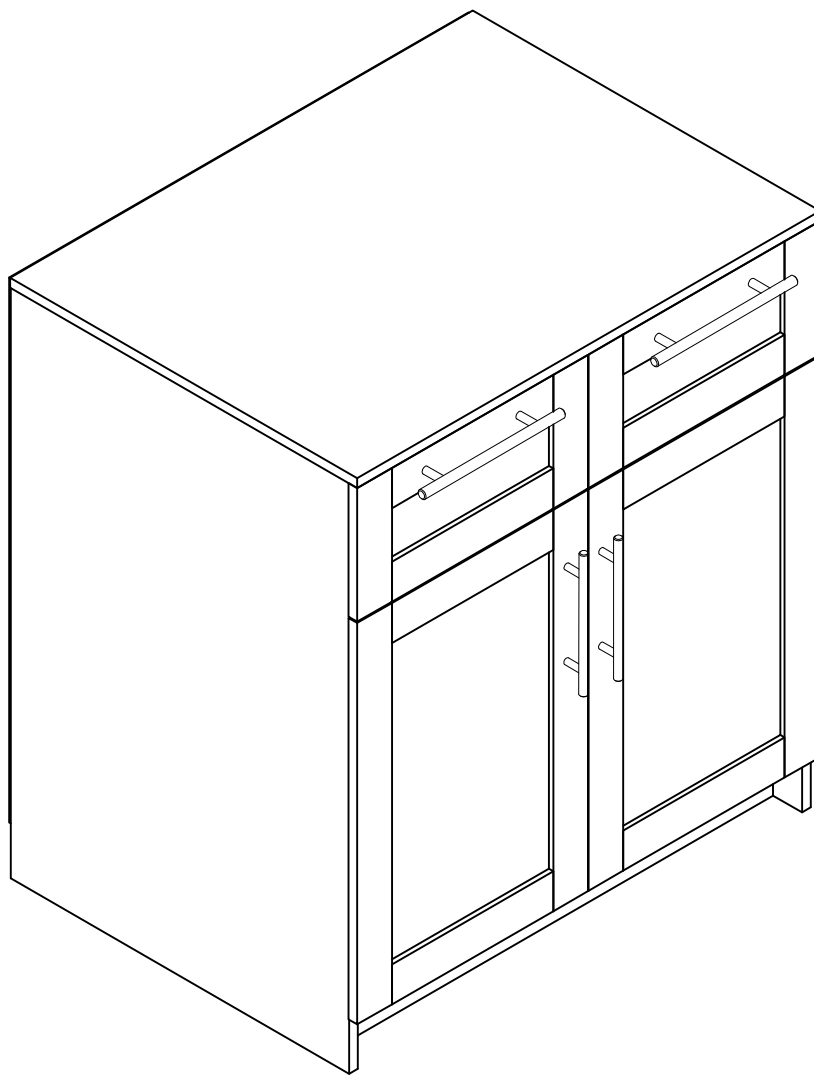
	G*2
	H*4
	K*4

11



J*18

12



END