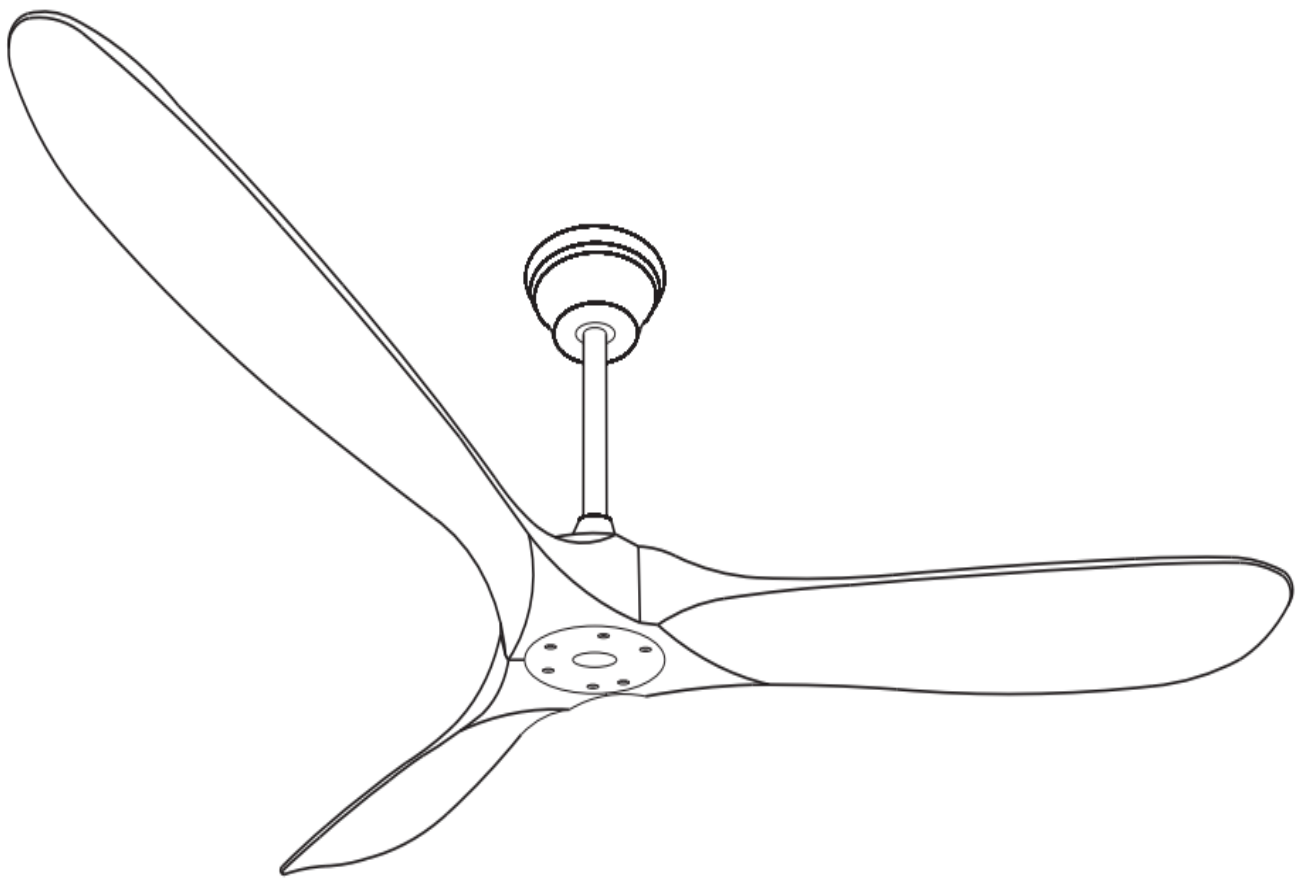


Ceiling Fan

OWNER'S MANUAL

READ AND SAVE THESE INSTRUCTIONS



F344-42NLB

Z 0620



WARNING

WARNING: To avoid fire, shock and serious personal injury, please read the following instructions carefully.

Important Safety Instructions

1. Read all instructions and safety information before installing your new fan. Review the accompanying assembly diagrams.
2. Before installing the fan, disconnect the power by removing fuses or turning off circuit breakers.
3. Make sure all electrical connections comply with local codes, ordinances, or National Electrical Codes. Hire a qualified electrician or consult a do-it-yourself wiring handbook if you are unfamiliar with installing electrical wiring.
4. Make sure the installation site you choose allows the fan blades to rotate without any obstructions. Allow a minimum clearance of 7 feet from the floor to the trailing edge of the blades.
5. If you are mounting the fan on a ceiling outlet box, use a metal outlet box. Secure the box directly to the building structure. The outlet box and its support must be able to support the moving weight of the fan (at least 50 lbs.). Do not use a plastic outlet box. Attach the mounting bracket by using the hardware supplied with the ceiling outlet box.
6. If you are mounting the fan to a joist, make sure it is strong enough to support the moving weight of the fan (at least 50 lbs.)
7. After installing the fan, make sure all the connections are secured. This will prevent the fan from falling.
8. Do not insert anything into the fan blades while the fan is operating.
9. Turn the fan off and wait for it to stop before reversing fan direction.
10. To reduce risk of electrical shock and personal injury, do not install the fan on a sloped ceiling.
11. To reduce the risk of electrical shock and personal injury, do not use this fan with any solid-state.
12. To reduce risk of personal injury, use only the two steel screws and lock washers provided with the fan for mounting the outlet box.

ASSEMBLY DRAWING & PARTS LIST-WITH LIGHT

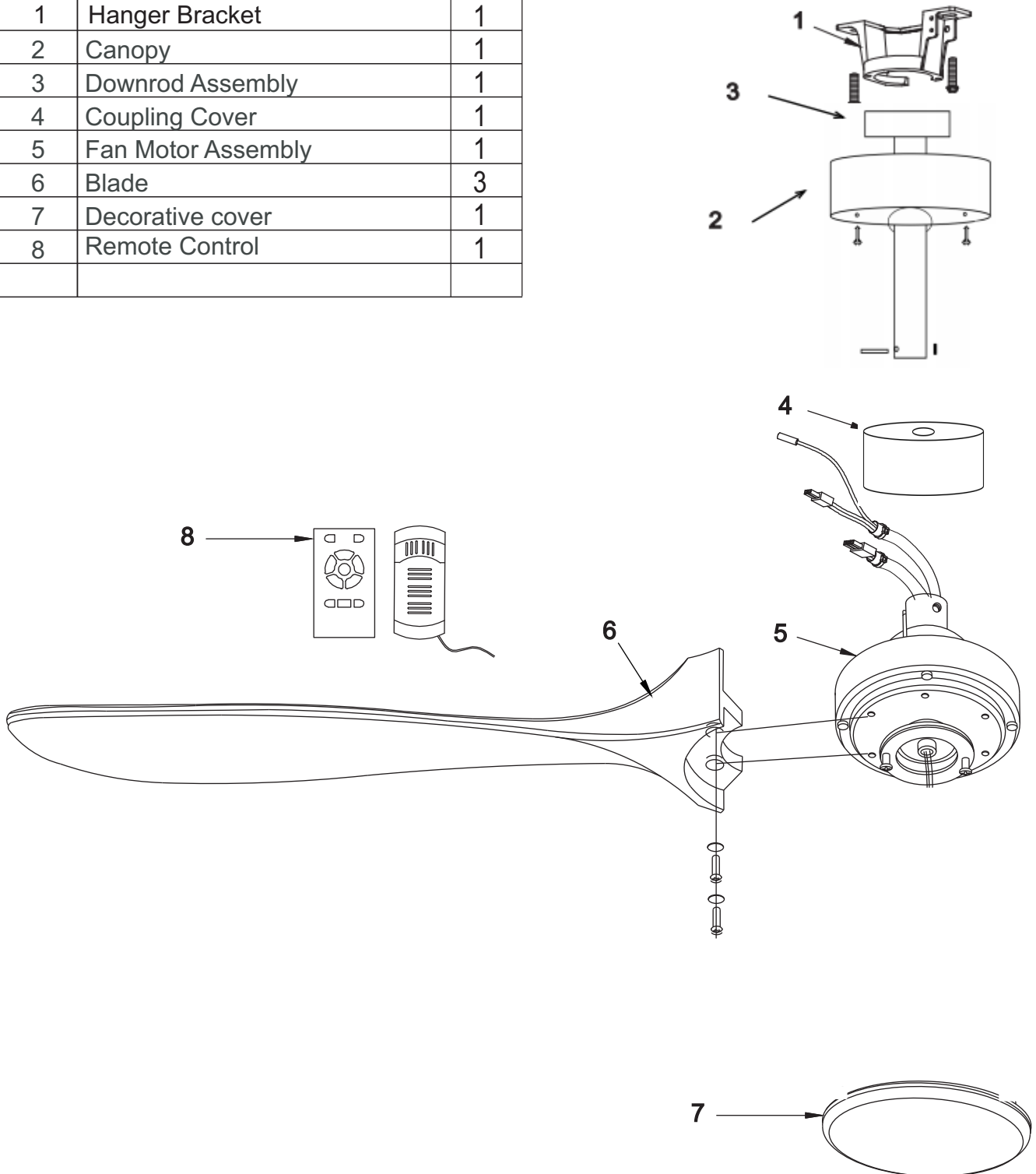
Unpacking Your Fan

Unpack your fan and check the contents. Please check each item prior to installation. To reduce the chance of marks or possible damages, please remove the parts when required for installation.

Parts List

Ref.#	Description	Part#
1	Hanger Bracket	1
2	Canopy	1
3	Downrod Assembly	1
4	Coupling Cover	1
5	Fan Motor Assembly	1
6	Blade	3
7	Decorative cover	1
8	Remote Control	1

Assembly Drawing



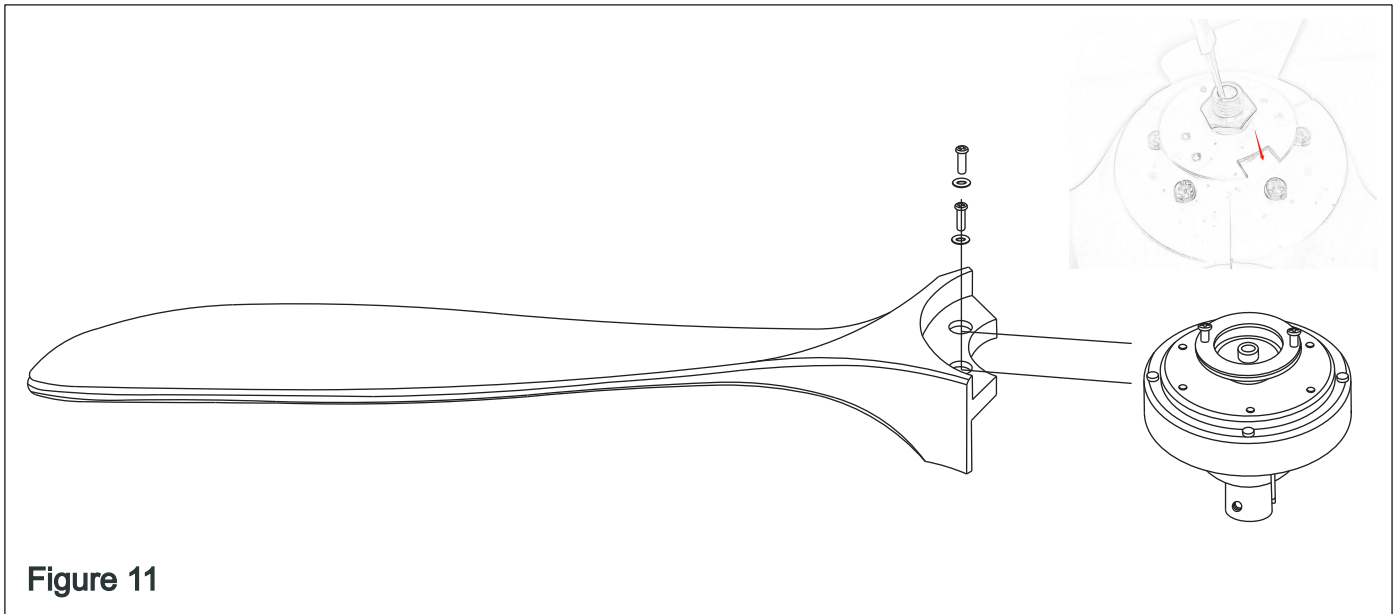
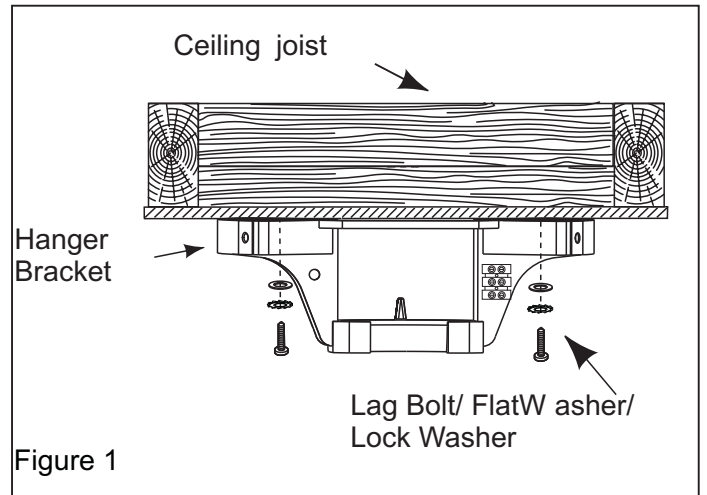
HOW TO INSTALL THE FAN

1. Securely attach the hanger brackets to the ceiling joist using the lag bolt, flat washer and spring washer supplied.

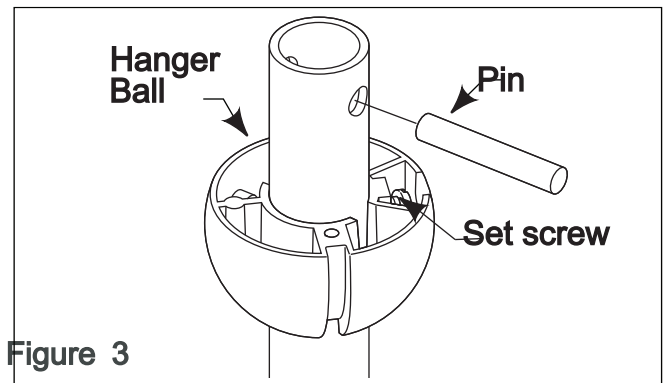
(Figure 1)

2. Install the fan blades by aligning the holes on the blade with the holes on the fan motor assembly set by the provided set screws and washers. (Figure 11)

Make sure the set screws securing the blade are tight and the blades are properly seated.



3. Loosen the set screws in the Hanger Ball assembly until the ball slides carefully down the downrod. Remove the Pin from the downrod. (Figure 3)
-Re-install the hanger ball after step 5 below-



4. Remove and save the clevis pin and hairpin of the downrod. Put the downrod through the canopy and coupling cover.

5. Loosen two set screws on the downrod support and then place the downrod into the downrod support. (Figure 5).

Thread the electrical wires and the earth wire through the downrod.

Align the Clevis Pin holes in the Downrod with the holes in the Downrod Support. Be sure to push the straight leg of the Hairpin Clip through the hole near the end of the Clevis Pin until the curved portion of the Hairpin snaps around the Clevis Pin.

Finally, re-tighten the two set screws.

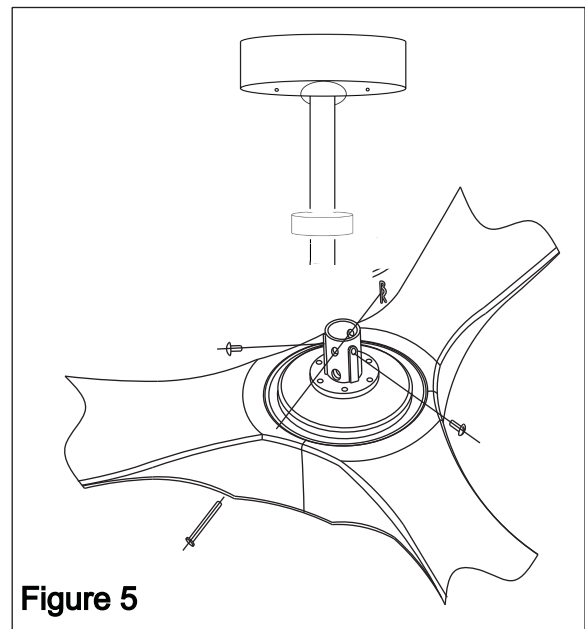


Figure 5

6. Carefully lift the fan, and set the downrod / hanger ball assembly on the hanger bracket attached to the ceiling joist. Be sure the groove in the ball is properly aligned with the tab on the hanger bracket. (Figure 6)

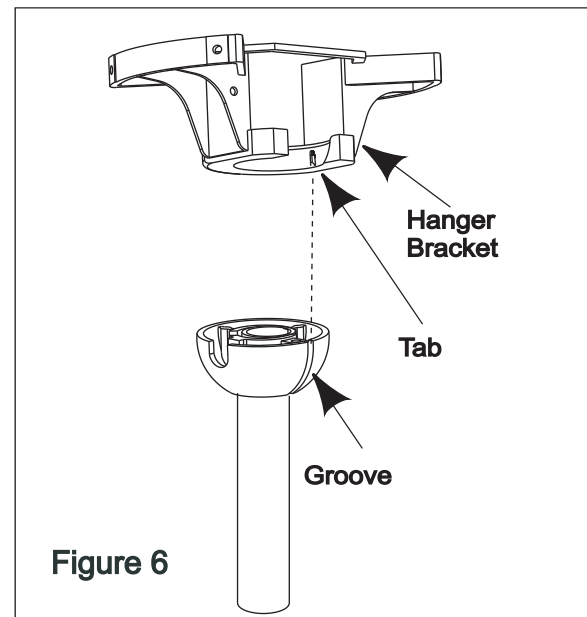
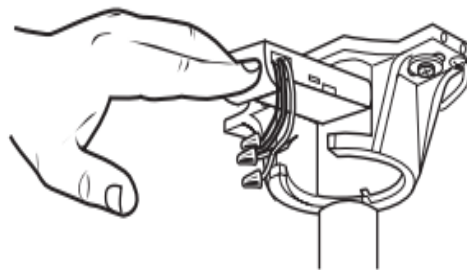


Figure 6

! WARNING

The fan must be hung with at least 230 cm of clearance from floor to blades.

Once wiring step has been completed, slide the wired remote receiver in between the mounting bracket and the top of the downrod ball.



7. Mount the canopy by tightening the two screws. (Figure 8)

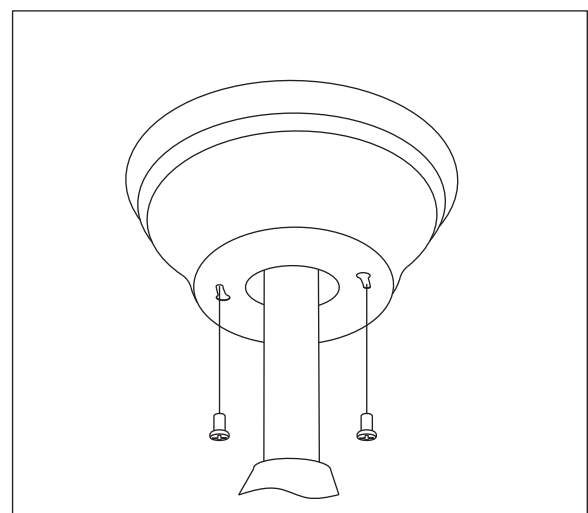


Figure 8

HOW TO INSTALL THE FAN-WITHOUT LIGHT B

1. Install the fan as shown in front.
(Figure 1,2 and 8)

2. Install the rubber plug into the motor axis.
(Figure 10)

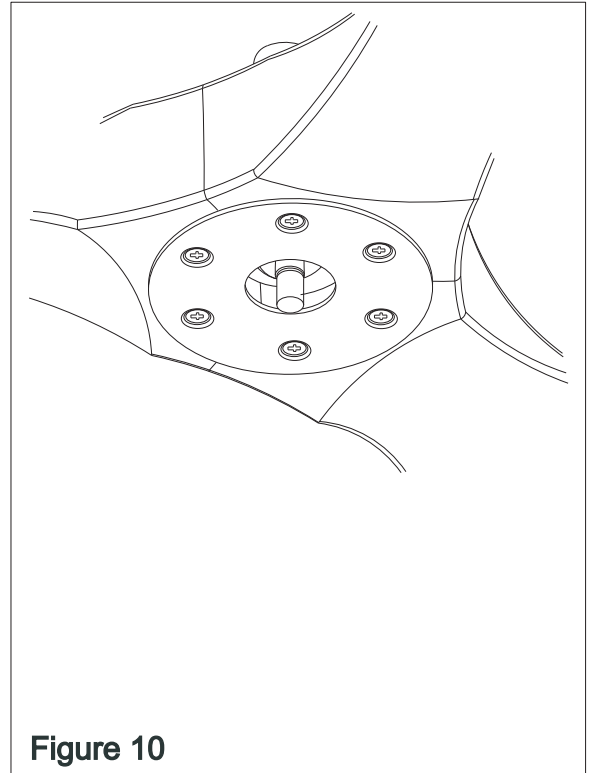
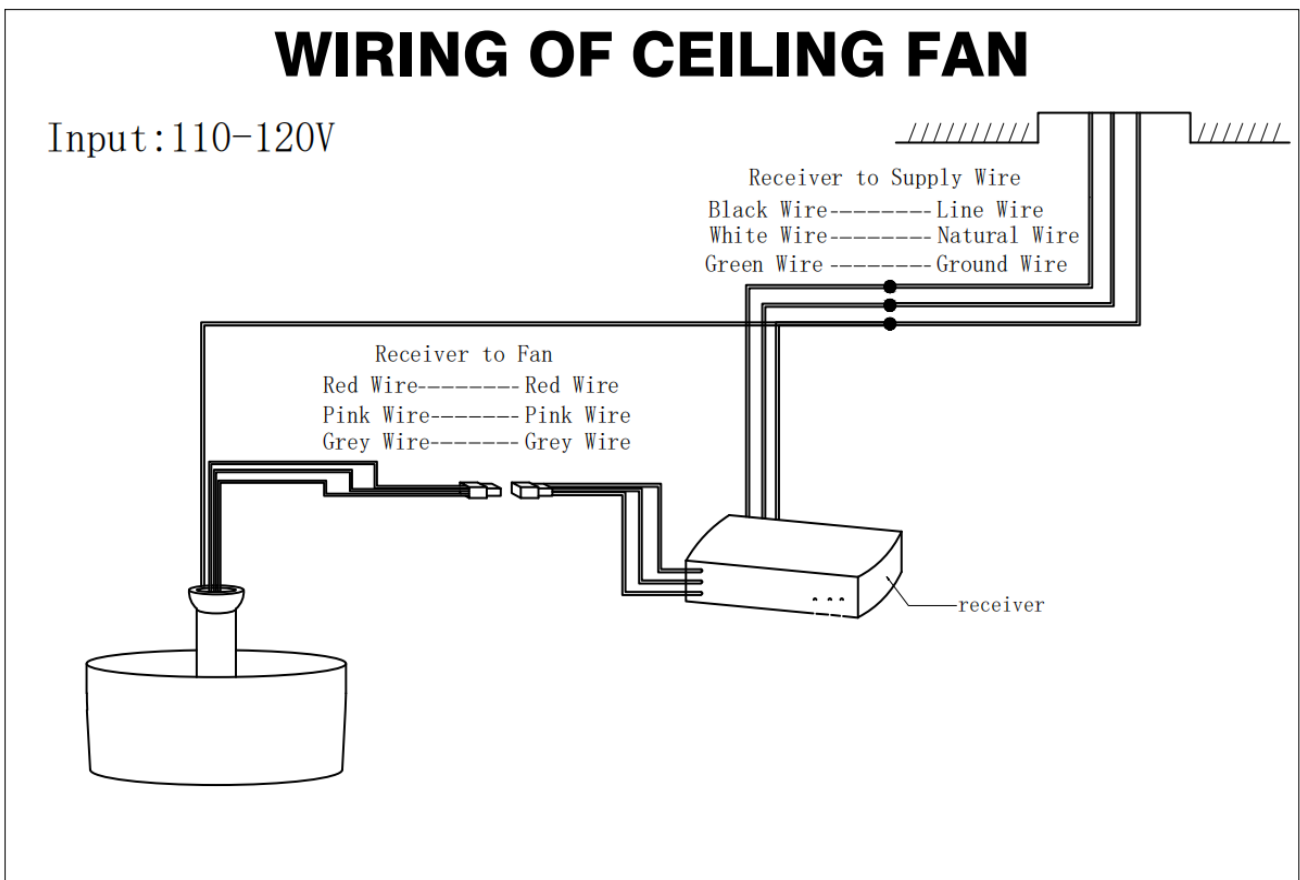
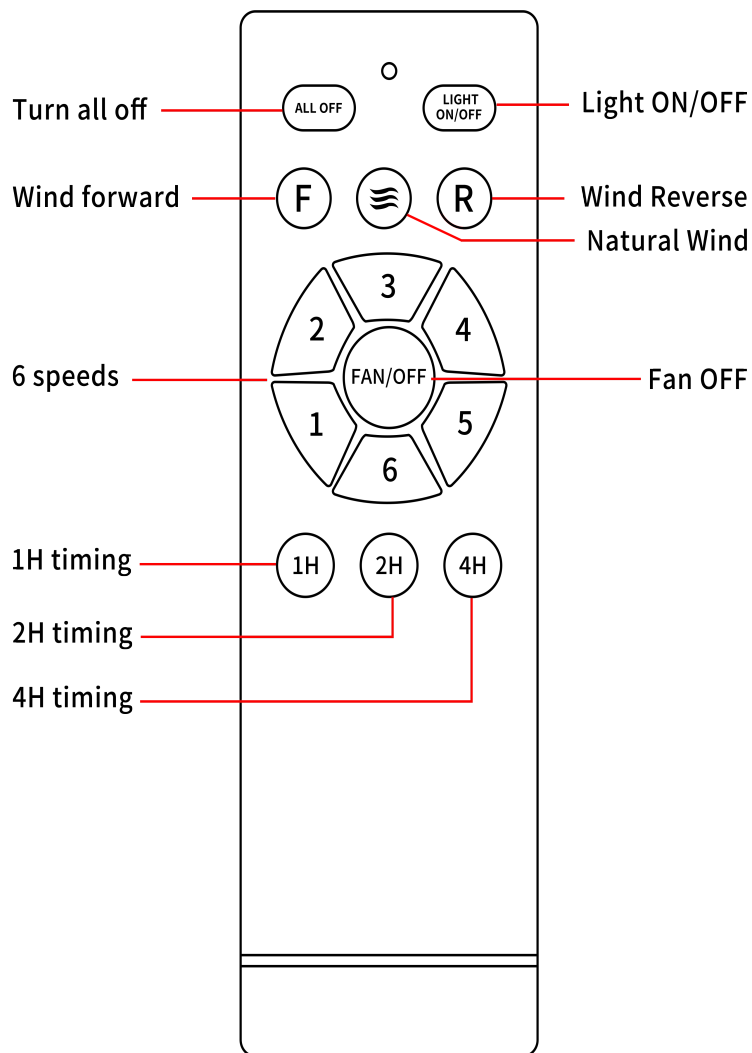


Figure 10



Remote control operation instructions



When the remote control and fan fail to work, please follow the following method to match the codes:
First, turn off the switch on the wall. After 10 seconds, turn it back on. Immediately after turning it on, press the "FAN OFF" button and hold it for 5 seconds.

IMPORTANT:PAIRING BETWEEN REMOTE AND RECEIVER

Turn "ON"the power supply and within 5 seconds Immediately quickly press the "FAN STOP" button on the remote control 5 times, and the light flashes successfully to match the code successful pairing and all functions will work normally.

IMPORTANT:

pairing initial step must be performed within 30 seconds of power being turned on.

1(a). when pairing multiple fans please ensure the isolation switch or power supply to the first installed fan is turned off prior to pairing futher fans e.g please pair one fan at a time

1(b). please ensure isolation switch is kept to the ON position, the isolation switch is not to be used as a light switch as this will damage and make the remote recevier inoperable

2. If the transmitter functions are not working please check the battery orientation and power level.Low battery voltage will affect the functions of your transmitter and operation of your fan.Other remote controls nearby using the same frequency may cause interference with the Fans receiver.

3. Please remove batteries from the transmitter if leaving unused for an extended period of time.

IMPORTANT REMAINDERS

1. Please note: Receiver must be correctly installed in the mounting bracket on fan

2. When the transmitter cannot control the receiver, please check the battery hassufficient charge in the transmitter.

3. When the transmitter cannot control the receiver, please check if there is any existence of similar remote controlled products nearby, causing interference with each other.

4. Low power of battery will affect the sensitivity of the transmitter and the signal reception accordingly, must replace if the battery is getting low power.

5. Please take the battery out from the transmitter when leaving unused for a long time, to avoid battery leaks.

6. Isolation Switch "Must be connected in the line."

7. When power is cut to the unit (via a blackout or otherwise) when power is restored the light will come on.

PROTECTIVE FUNCTIONS OF THE RECEIVER

Lock protection- The DC motor has a built-in safety feature against blade or motor obstruction during operation. If something obstructs the fan blades or motor, the motor will keep trying to run and then stop operation after about 30 seconds of interruption. Please remove obstacles and reset. To reset: Turn the fan off by remote transmitter and then turn the fan on.

Over load protection (current limit)- The device will limit the maximum current output from the receiver/drive if the fan load has increased abnormally.

Tips

1. If your fan is operates automatically after installation and power on, it is because your fan has memorized the previous factory setting. Use the Universal Mode or the learning function and your fan will be ready for use.
2. If the fan or light isn't working, reset power (turn the power off for at least 5 seconds and then turn the power back on) and redo the learn function setting.
3. It is not possible to remotely operate more than one fan in the same room (in the area where the remote signal can reach to) if they share the same power supply. Separate power supplies (such as using individual wall switches for each fan) is required if you want to separately control more than one fan in same room.
4. When the fan is turned on or operated using forward/reverse function, it shutters & goes back & forth until it turns.
This is a normal and it will take a few seconds to run this operation.

MAINTENANCE

1. Periodic cleaning of your new ceiling fan is the only maintenance that is needed.
2. When cleaning, use only a soft brush or lint free cloth to avoid scratching the finish.
3. Abrasive cleaning agents are not required and should be avoided to prevent damage to finish.



WARNING

Do not use solvents when cleaning your ceiling fan. It could damage the motor and create the possibility of electrical shock.

RECOMMENDED:

Periodically check that the blade sets to the fan motor setscrews are secure and tight.