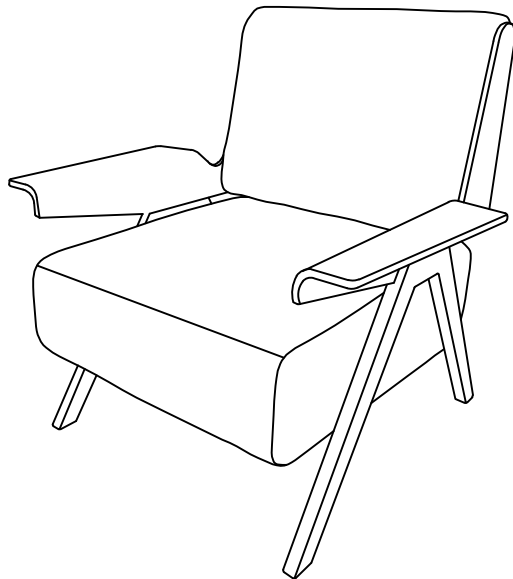

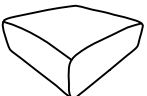




# Assembly Instructions

WH-7015



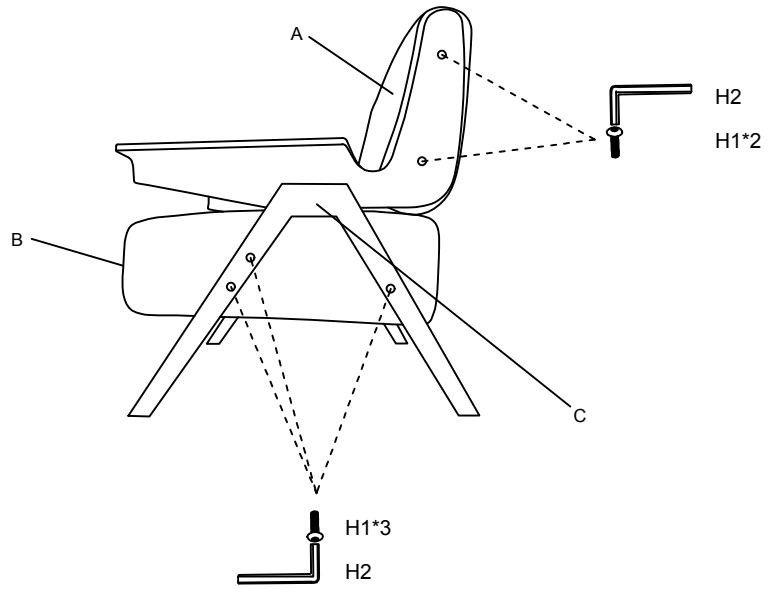
## Component List

LABEL		DESCRIPTION	QTY
A		Back	1
B		Seat	1
C		Leg	1
D		Leg	1

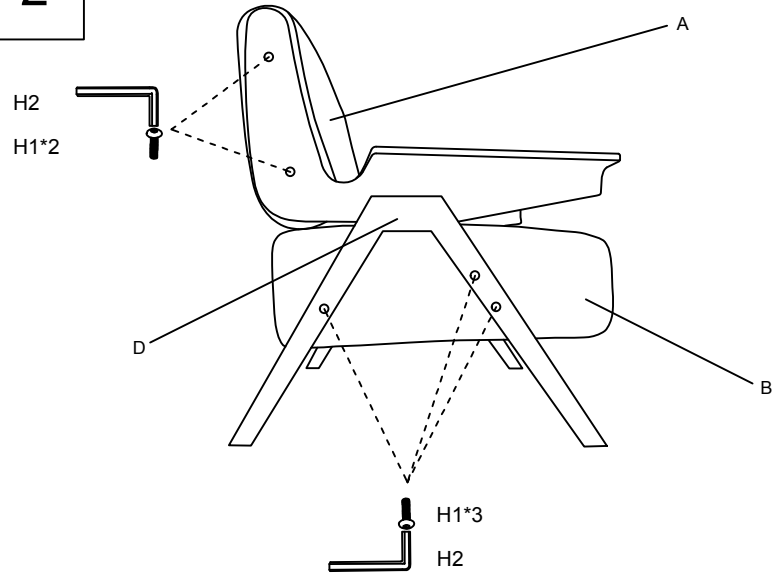
## Hardware List

LABEL		DESCRIPTION	QTY
H1		Bolts M8*50mm	10
H2		Allen key M8	4

1



2



3

