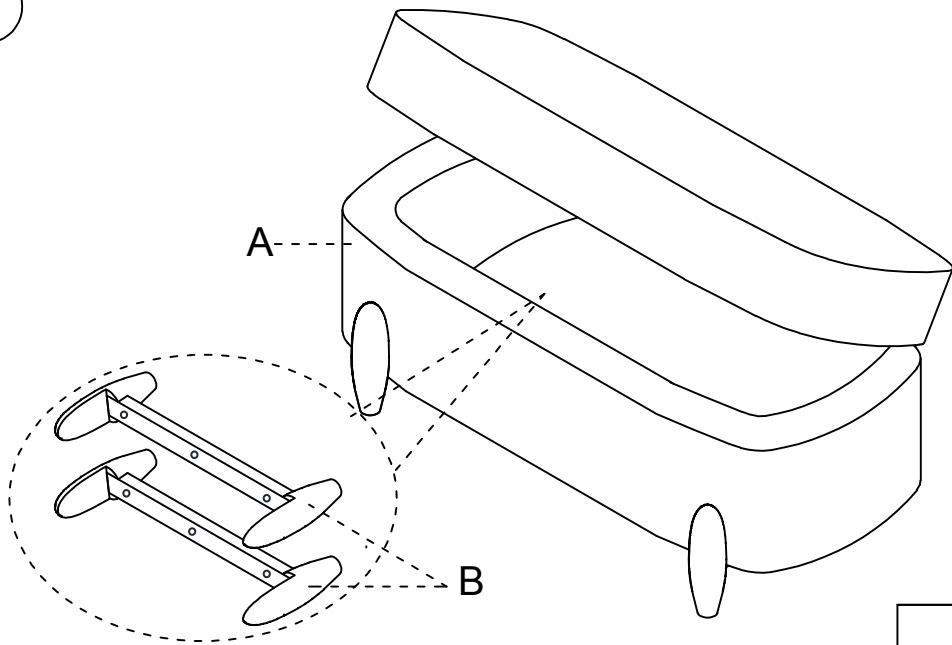
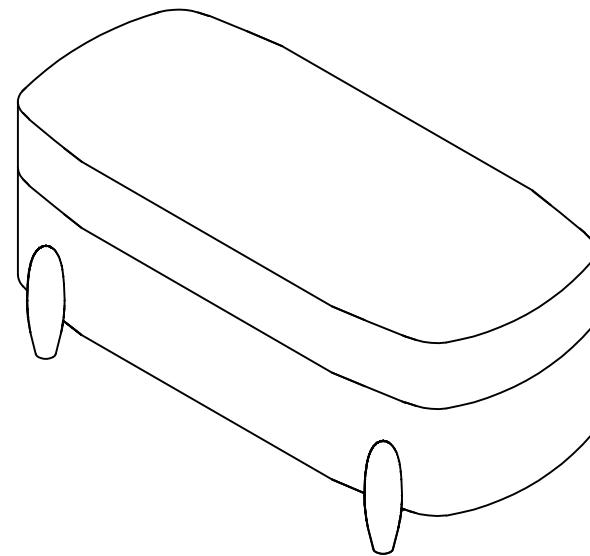


1

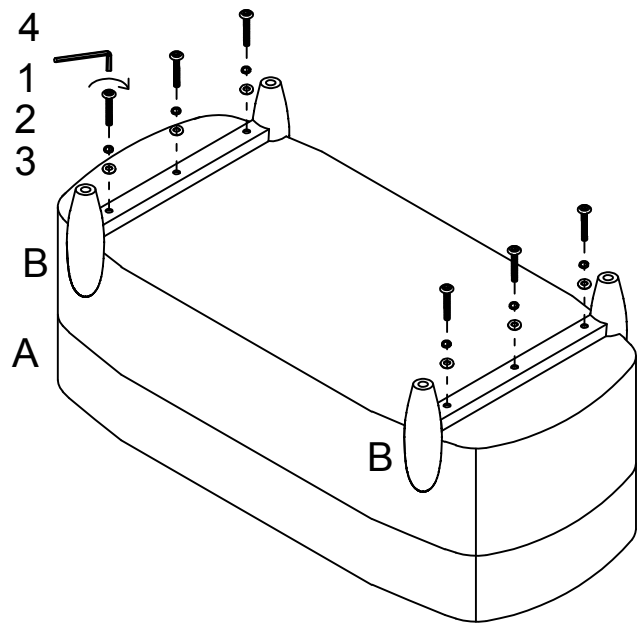


3



PART LIST		
No	DESCRIPTION	QTY
A	OTTOMAN	1PC
B	LEG	2PCS

2



HARDWARE LIST		
No	DESCRIPTION	QTY
1	BLOT	6PCS
2	LOCK WASHER	6PCS
3	FLAT WASHER	6PCS
4	ALLEN WRENCH	1PC