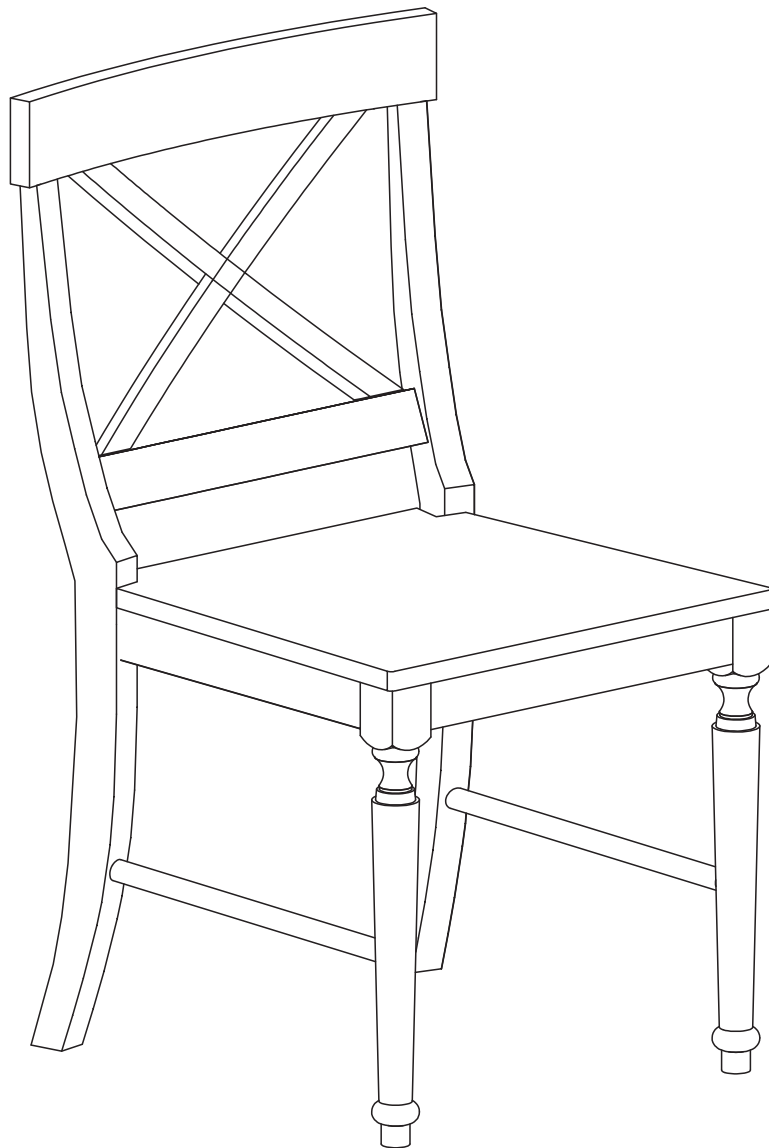


Assembly Instructions

Caution: You must read this before you process

Please look in Chair back/ Hind legs for hardware packs

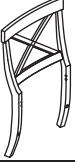
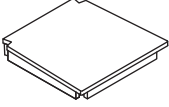



CHAIR








CAUTION: This Chair is NOT a TOY.

Keep your child / children at bay in the process of assembly.

For turning / flipping the Chair and to prevent damage to the Chair, 02 persons may be needed to execute this action.

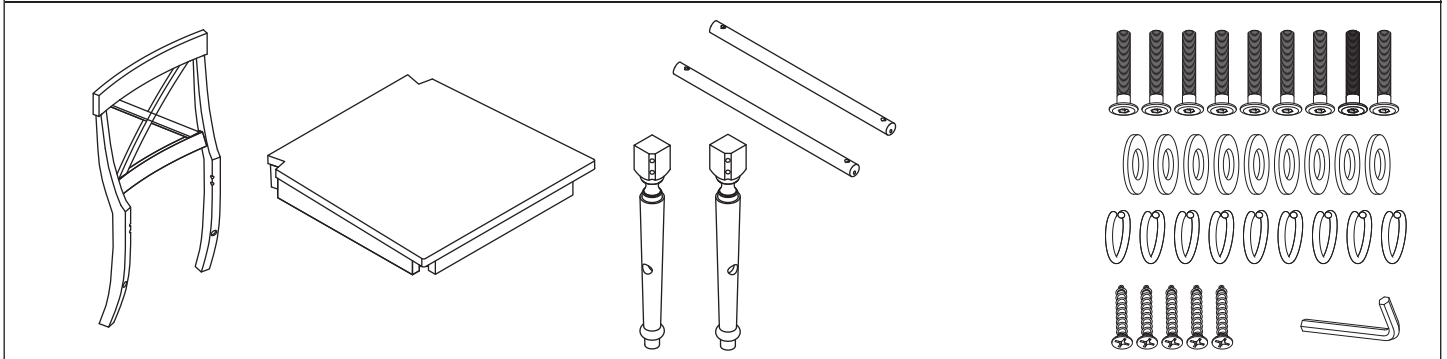
Parts List			
NO.	Picture	Description	QTY
A		Chair Back /Hind Legs	1
B		Chair Seat	1
C		Left Front Legs	1
D		Right Front Legs	1
E		Side Rails (the side with holes as bottom side to face the floor after assembled)	2






Hardware

①		Bolts (M8x60)	9
②		Flat Washers	9
③		Spring Washers	9
④		Screw (M4x 40)	5
⑤		Allen Wrench	1
⑥		Screwdriver	Not provided

Assembly Preparation

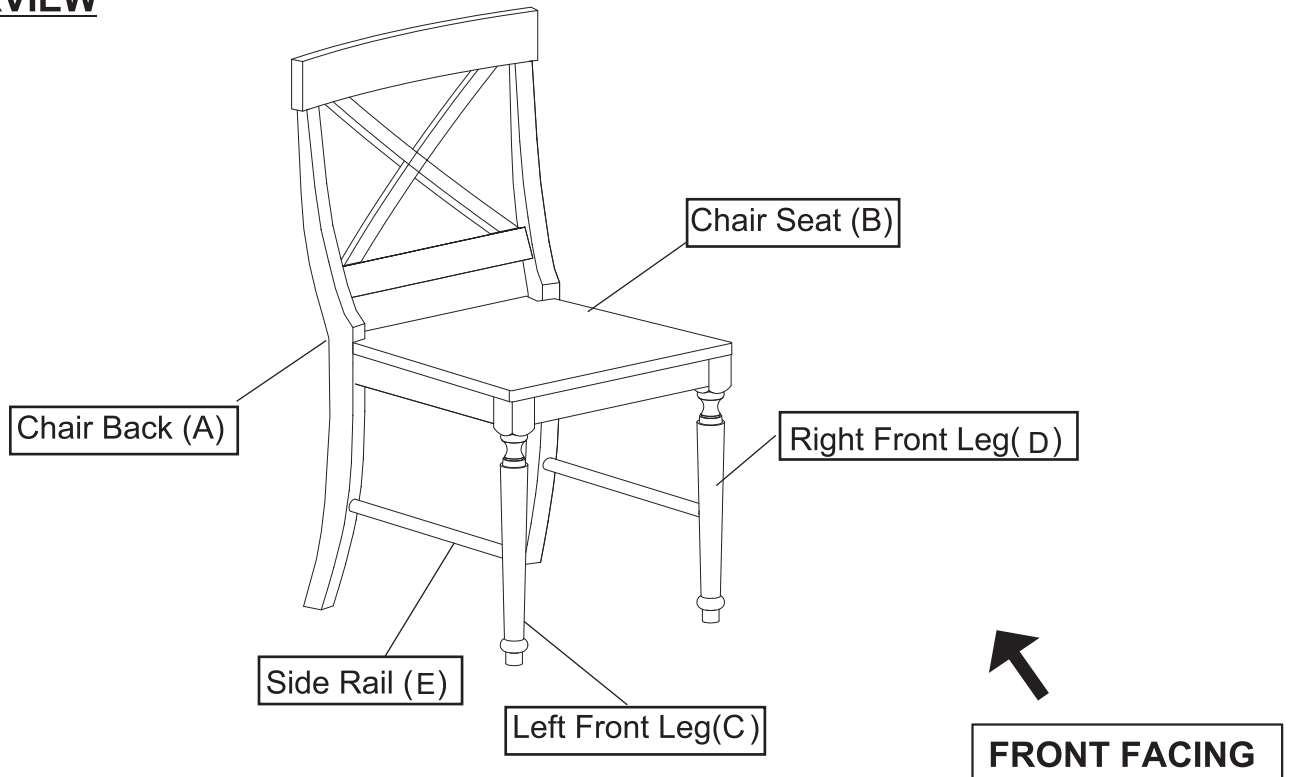
Before Beginning Assembly:



-  • Read instructions, cover to cover-
-  • Have 2 adults on hand for assembly-
-  • Do not assemble on flooring or carpet-
-  • Assemble on a clean non-marring surface (packing foam)-
-  • Save all packaging until finished-

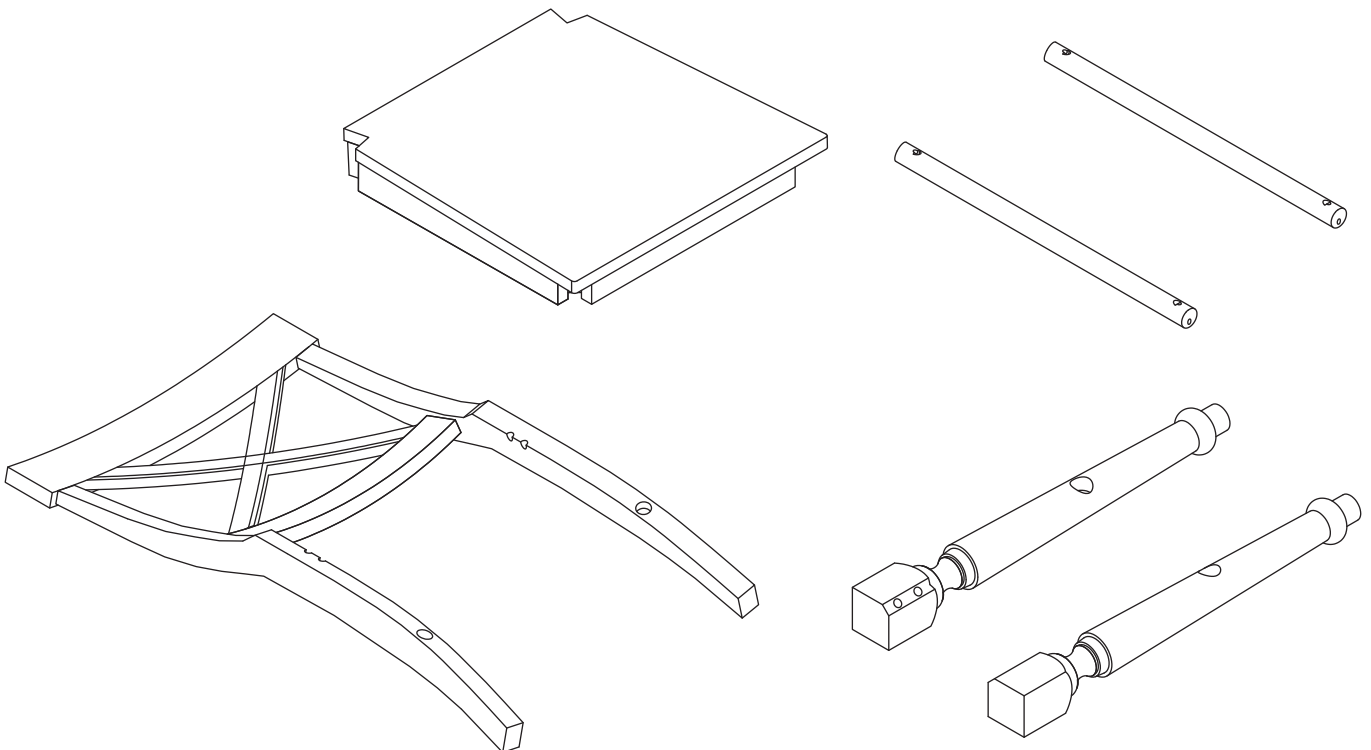
Assembly Steps

OVERVIEW



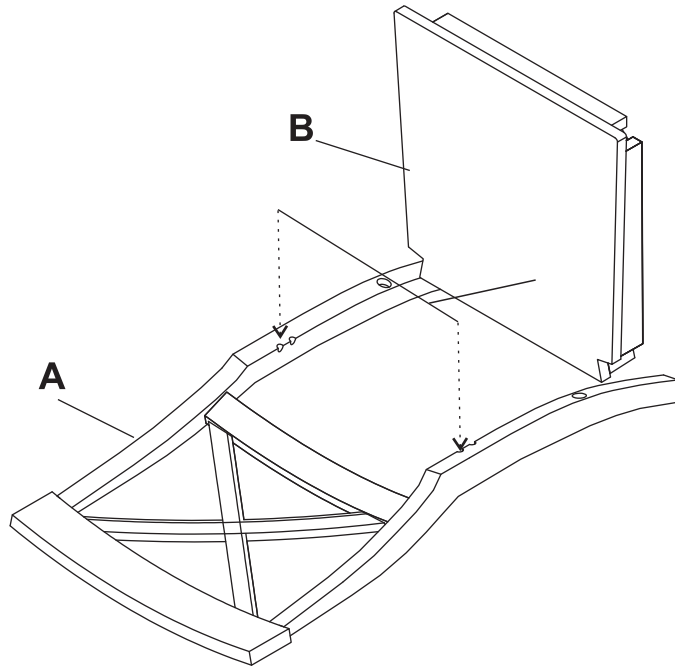
This Chair has multiple parts and may require up to some 30 minutes to assemble. To give you an overview of the Chair, the above picture is to help you put the various parts into perspective. Please read through the instruction below to familiarise yourself with the parts and steps before assembly.

Step 1



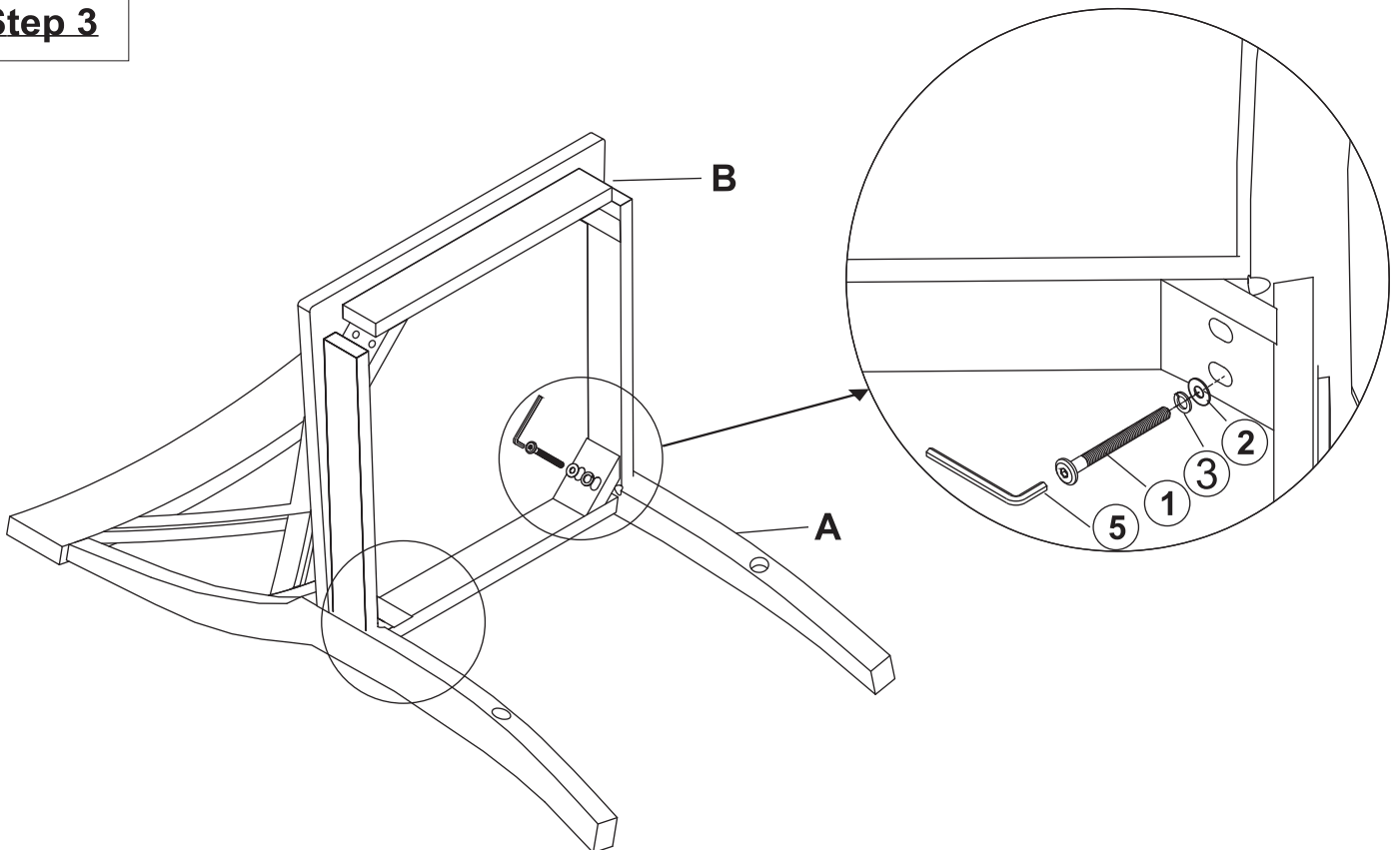
Unpack and place all parts on a clean soft surface.

Step 2



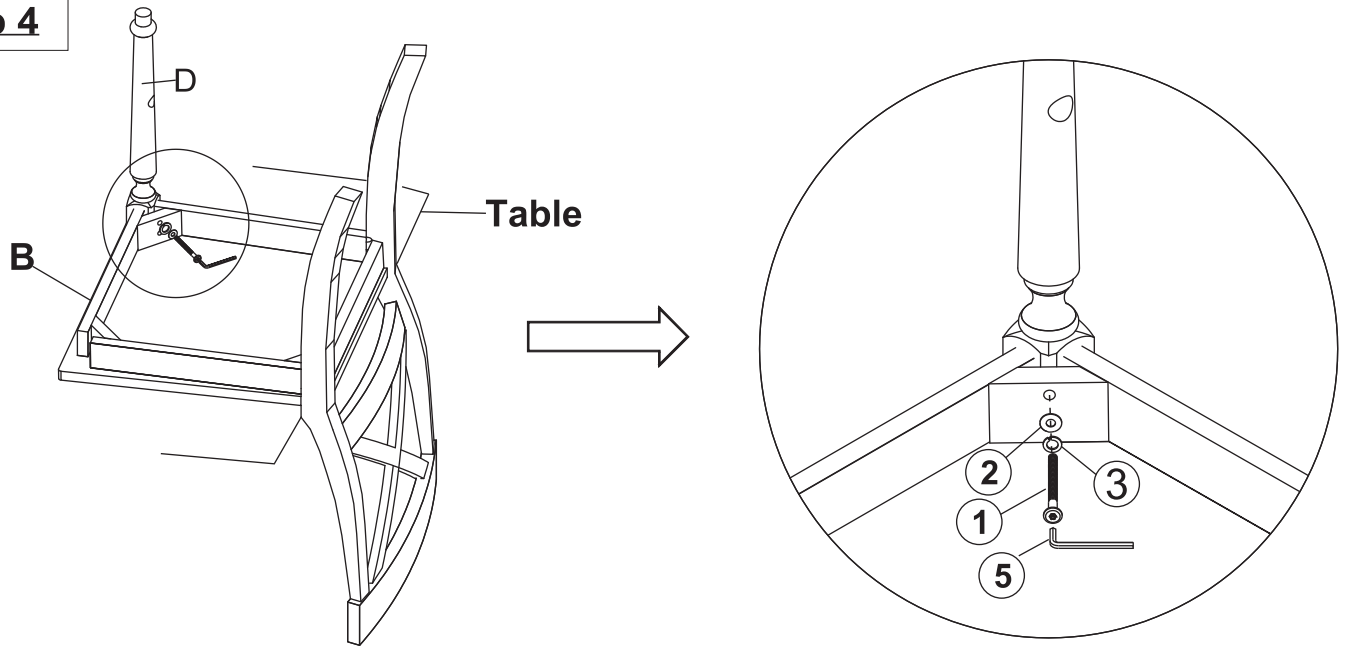
Place the Chair Back (A) onto a clean soft surface, as pictured above.
Push the Chair Seat (B) in to the mounting position of the Chair Back (A)
Use your left hand to push the seat frame towards
This action helps to ensure the Chair Seat (B) is pressed towards to the Chair Back (A) with no gap between them.

Step 3



Secure the Chair Back (A) to the Chair Seat (B), using Bolt (1), Spring Washer (3) and Flat Washer (2) with Allen Wrench (5).
Loosely tighten the Bolts up to 80%.

Step 4



Next, place the Chair onto the side of a table as shown in picture. You will have the chair bottom and legs facing skywards.

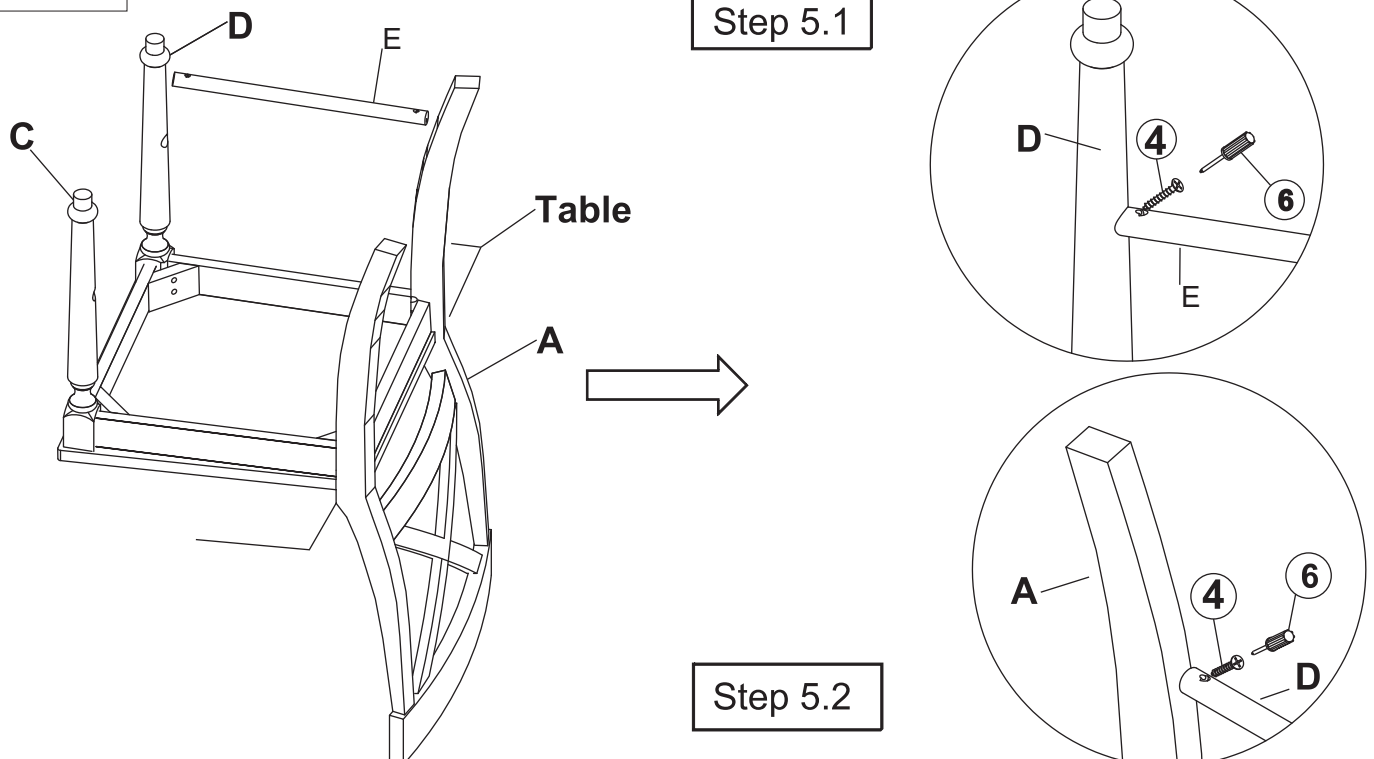
Place Right Front Leg (D) into the Chair Seat (B)

Secure Right Front Leg (D) to the Chair Seat (B) by using Bolt (①), Spring Washer (③) and Flat Washer (②) with Allen Wrench (⑤).

Loosely tighten the Bolts up to 50%.

Repeat the same process for the other Left Front Leg (C)

Step 5



Then, place Side Rail (E) into the housing of the Hind Leg of the Chair Back (A) and Right Front Leg (D). You may need to apply a little pressure to the Legs - pushing outwards, so as to enable the Side Rail (E) to slotted into position.

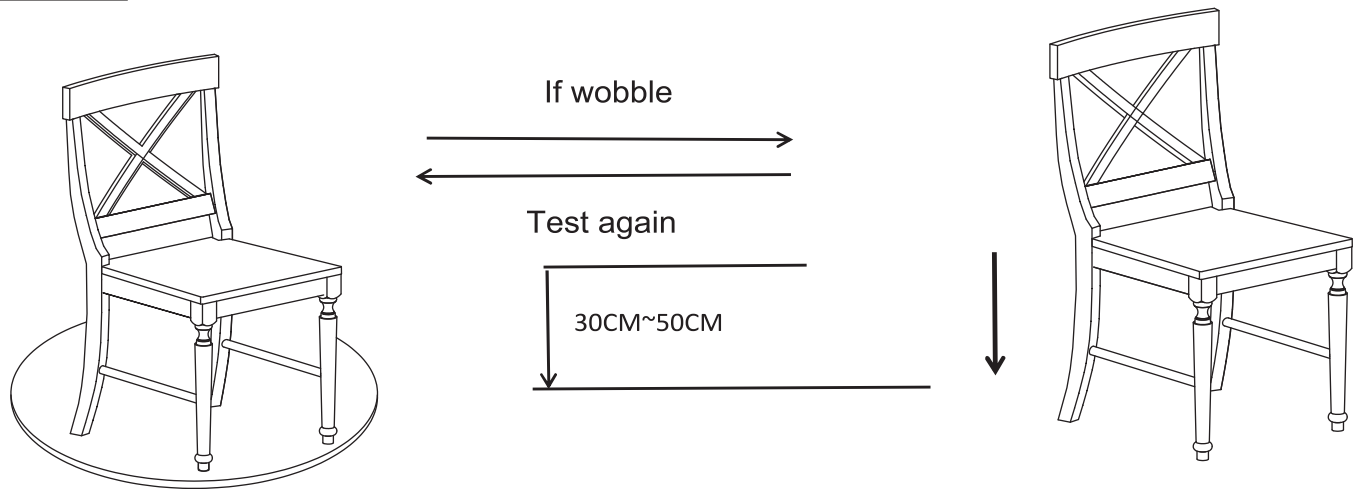
In step 5.1) Secure the Side Rail (E) to Right Front Leg (D) by using Screw (④) and Screwdriver (⑥).

In step 5.2) Secure the Side Rail (E) to the Chair Back (A) by using Screw (④) and Screwdriver (⑥).

Loosely tighten the Bolts up to 80%.

Repeat the same process for the other Side Rail (E) to the Left Front Leg (C)

Step 6



Place the Chair on a LEVEL SURFACE to see if it wobbles.

If it wobbles, lift the Chair to some 30cm to 50cm height from the ground.

Keep your feet and toes well away from the drop zone.

Drop the Chair freely and vertically with the four legs, hitting the ground, at the same time.

This Drop Test will help to ensure that all the screws and gaps to all reach full alignment status.

Test again for evenness on a LEVEL SURFACE.

If no wobbles found, proceed to tighten all the screws.

CAUTION: When tightening these screws, tighten sequentially.

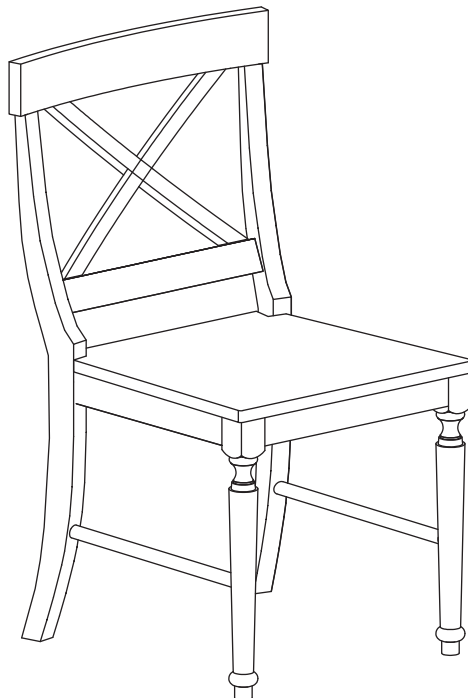
DO NOT tighten any screw fully and then towards the next one.

This would cause the frame to warp.

If there is still wobbles, loosen the screws and execute this same drop tests.

WARNING!! IF CHAIR IS NOT STABLE , IT COULD LEAD TO DAMAGING THE PRODUCT.

Step 7













Inspect the Chair and make sure all parts are connected.

Your Chair is ready for use

Caution: This Chair can only be used on a flat, level surface.

Care & Maintenance

-  ● Furniture may scratch floors. We recommend using furniture pads to protect your floors.
-  ● Do not put hot items directly on furniture surface
-  ● Do not clean furniture with harsh cleansers or polish.
-  ● Do not place furniture under direct sunlight.
-  ● Do not place furniture near heating or cooling vents.
-  ● Do not write on furniture without a padded barrier to protect the surface.
-  ● Do not place furniture outside . For indoor use only .
-  ● Not for commercial use. For residential use only .
-  ● Stains may be removed with mild soap solution and damp cloth.
-  ● Children should not climb or jump on the furniture.

-  ● Dust and pick-up spills using a clean, non-colored, lint-free cloth .