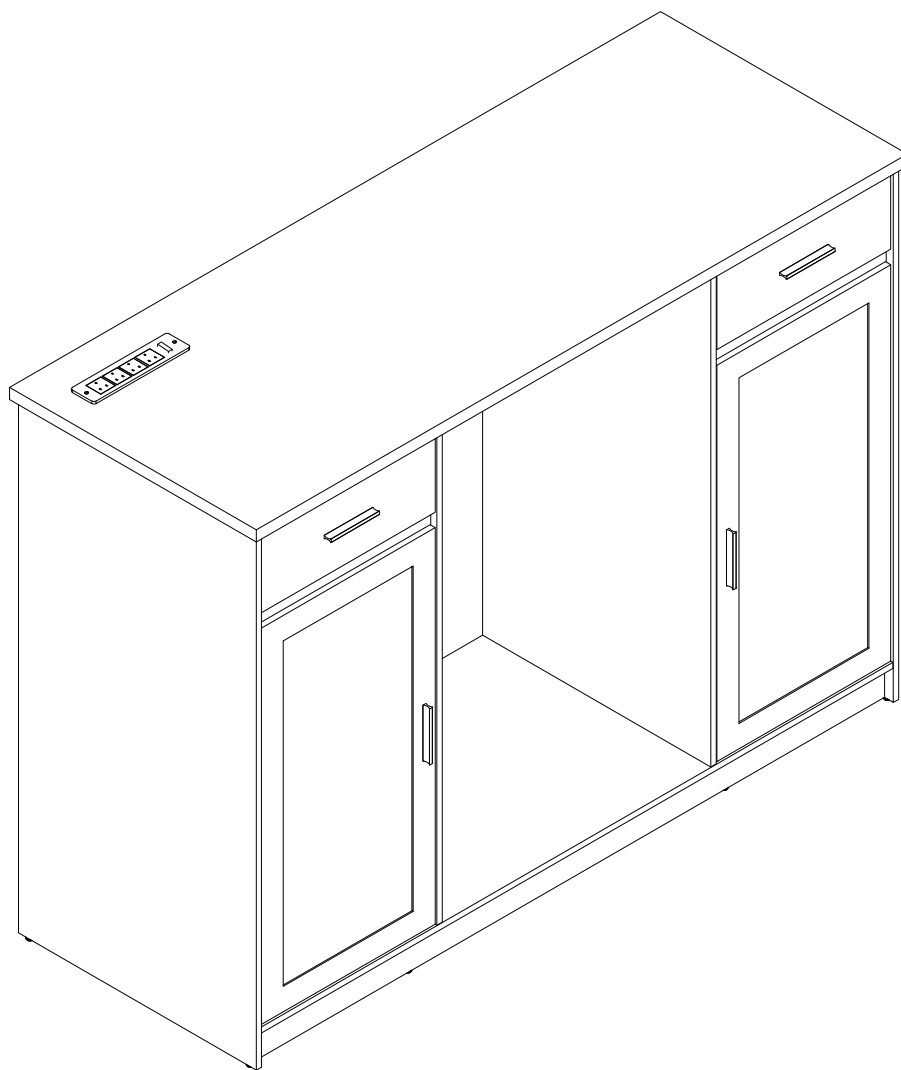
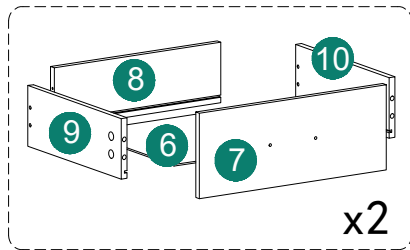
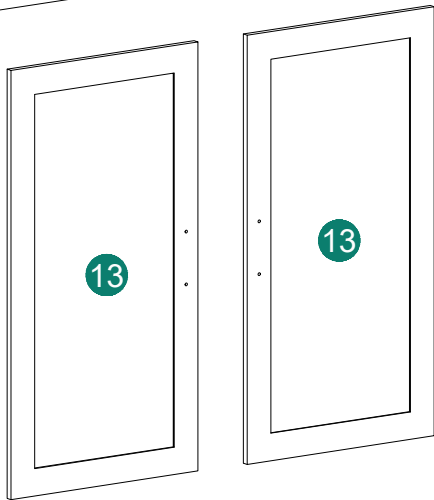
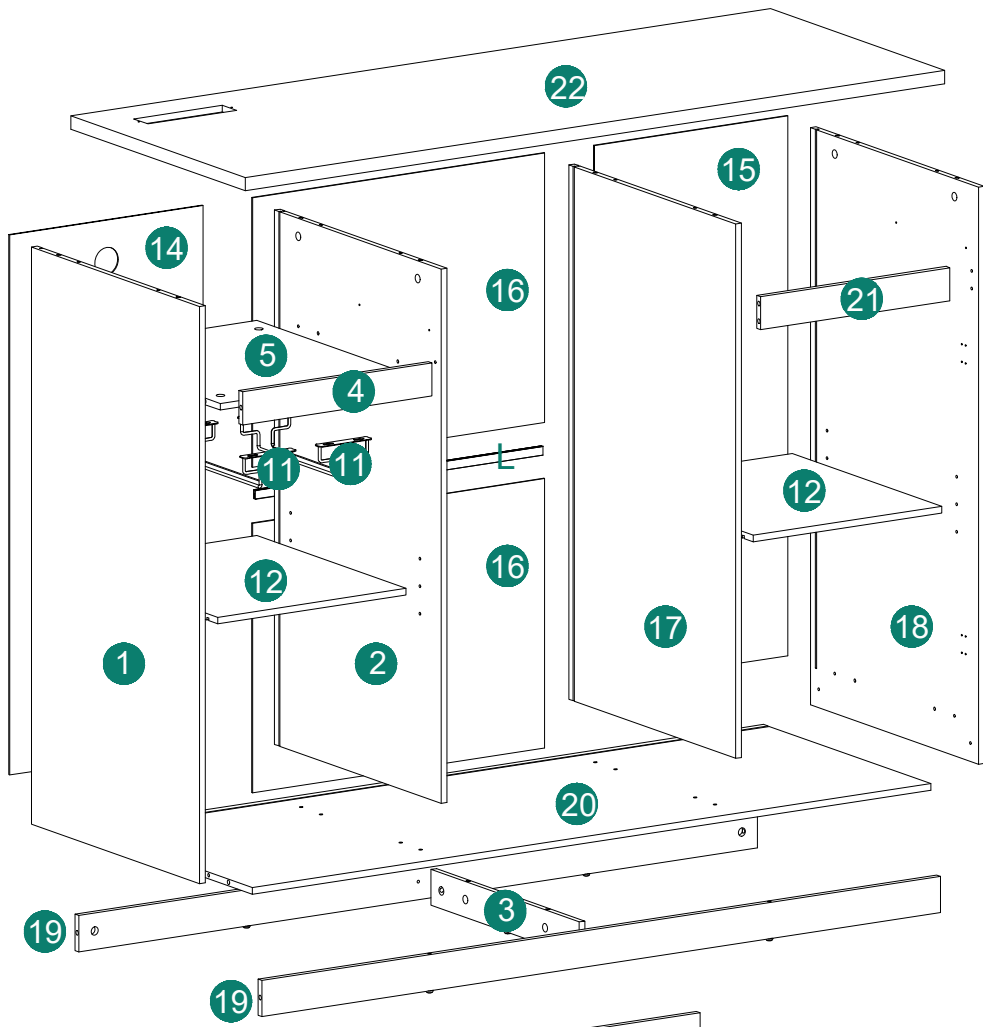


ASSEMBLY INSTRUCTION

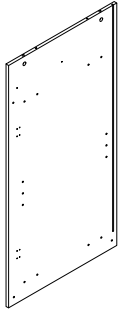


ASSEMBLY INSTRUCTION



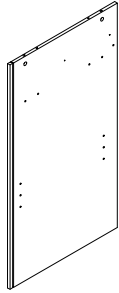
ASSEMBLY INSTRUCTION

1



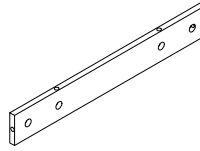
1PCS

2



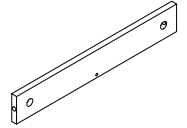
1PCS

3



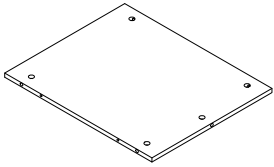
1PCS

4



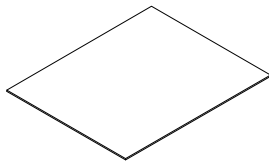
1PCS

5



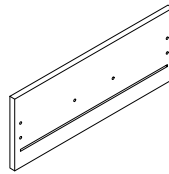
1PCS

6



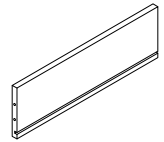
2PCS

7



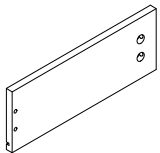
2PCS

8



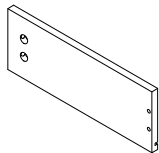
2PCS

9



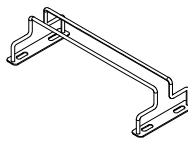
2PCS

10



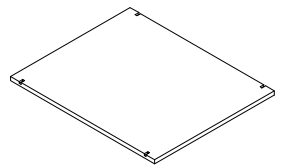
2PCS

11



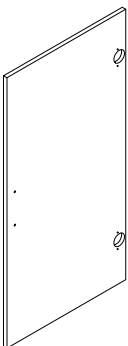
2PCS

12



2PCS

13



2PCS

14



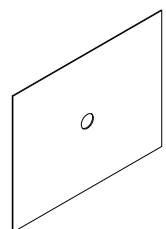
1PCS

15



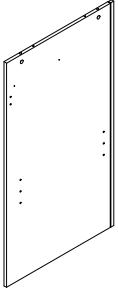
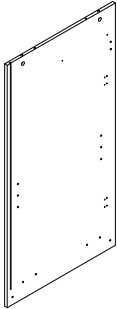
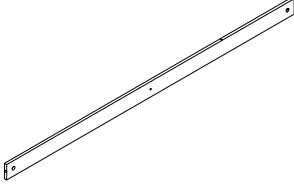
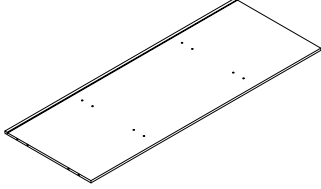
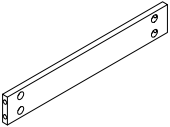
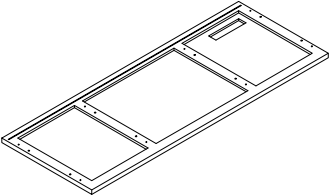
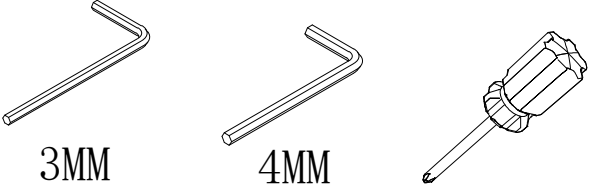
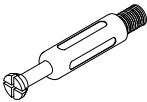
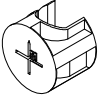
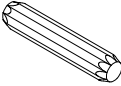
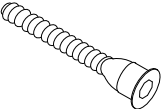
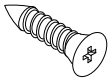
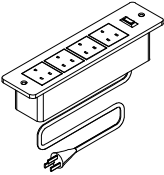
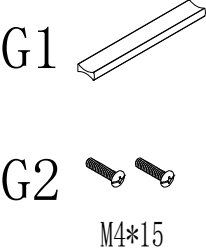
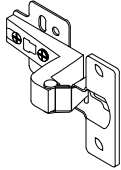
1PCS

16

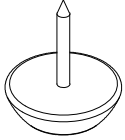
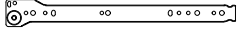
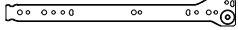

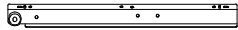
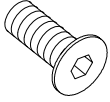
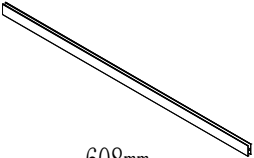
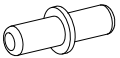
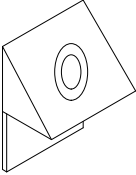
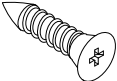
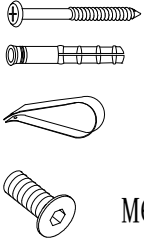


2PCS

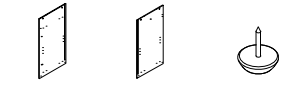
ASSEMBLY INSTRUCTION

<p>17</p>  <p>1PCS</p>	<p>18</p>  <p>1PCS</p>	<p>19</p>  <p>2PCS</p>	<p>20</p>  <p>1PCS</p>
<p>21</p>  <p>1PCS</p>	<p>22</p>  <p>1PCS</p>	 <p>3MM 4MM</p>	
<p>A</p>  <p>M6*40</p> <p>39PCS</p>	<p>B</p>  <p>∅15*9.3mm</p> <p>39PCS</p>	<p>C</p>  <p>∅6*30mm</p> <p>24PCS</p>	<p>D</p>  <p>M5*38</p> <p>12PCS</p>
<p>E</p>  <p>M3*12</p> <p>42PCS</p>	<p>F</p>  <p>1PCS</p>	<p>G</p>  <p>G1</p> <p>G2</p> <p>M4*15</p> <p>4PCS</p>	<p>H</p>  <p>4PCS</p>

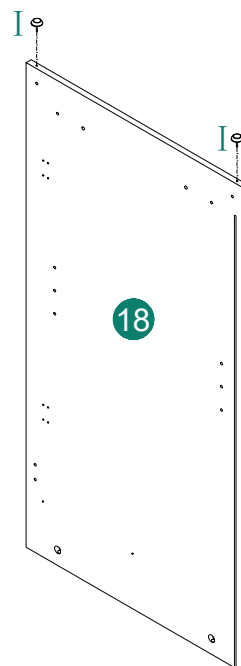
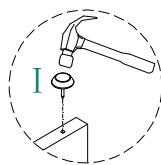
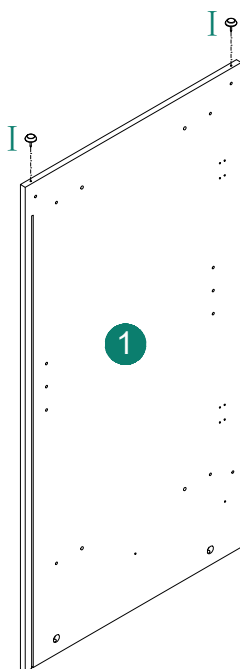
ASSEMBLY INSTRUCTION

<p>I</p>  <p>9PCS</p>	<p>J</p> <p>CL </p> <p>CR </p> <p>DL </p> <p>DR </p> <p>2PCS</p>	<p>K</p>  <p>M6*10</p> <p>8PCS</p>	<p>L</p>  <p>608mm</p> <p>1PCS</p>
<p>M</p>  <p>∅5*20mm</p> <p>8PCS</p>	<p>N</p>  <p>16PCS</p>	<p>O</p>  <p>M3*14</p> <p>16PCS</p>	<p>P</p>  <p>M6*10</p> <p>1PCS</p>

1

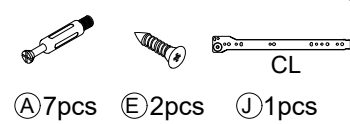


①1pcs ⑱1pcs ①4pcs



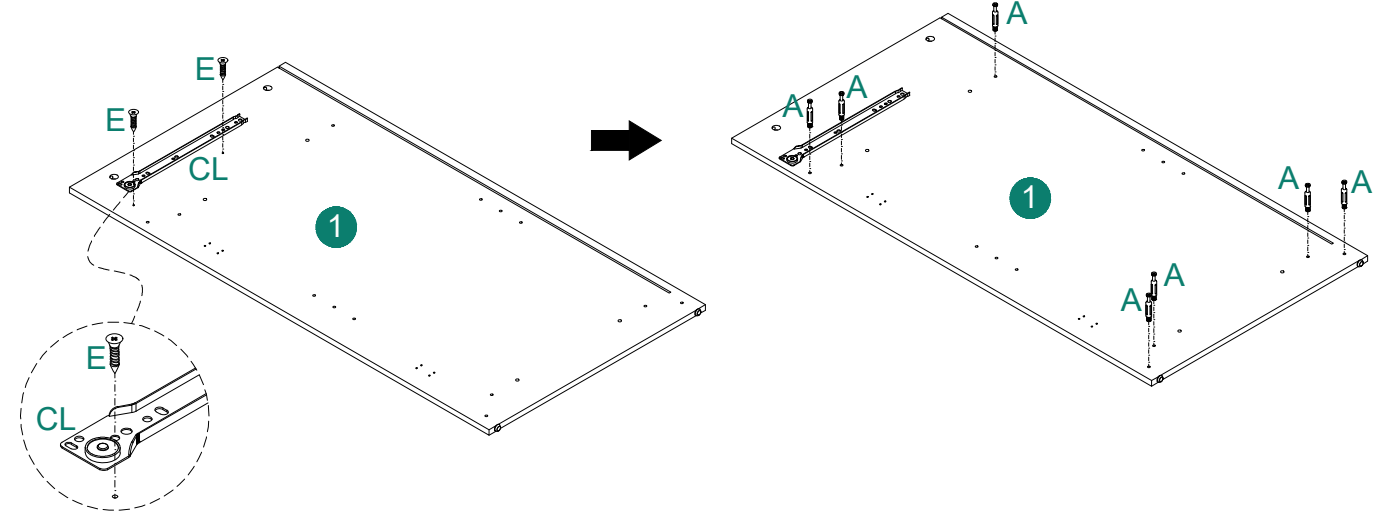
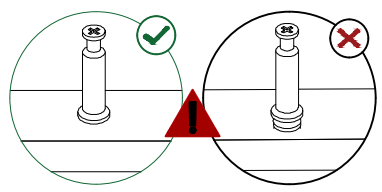
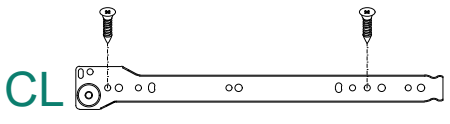
ASSEMBLY INSTRUCTION

2

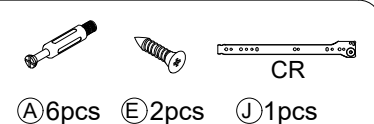


(A) 7pcs (E) 2pcs (J) 1pcs

CL

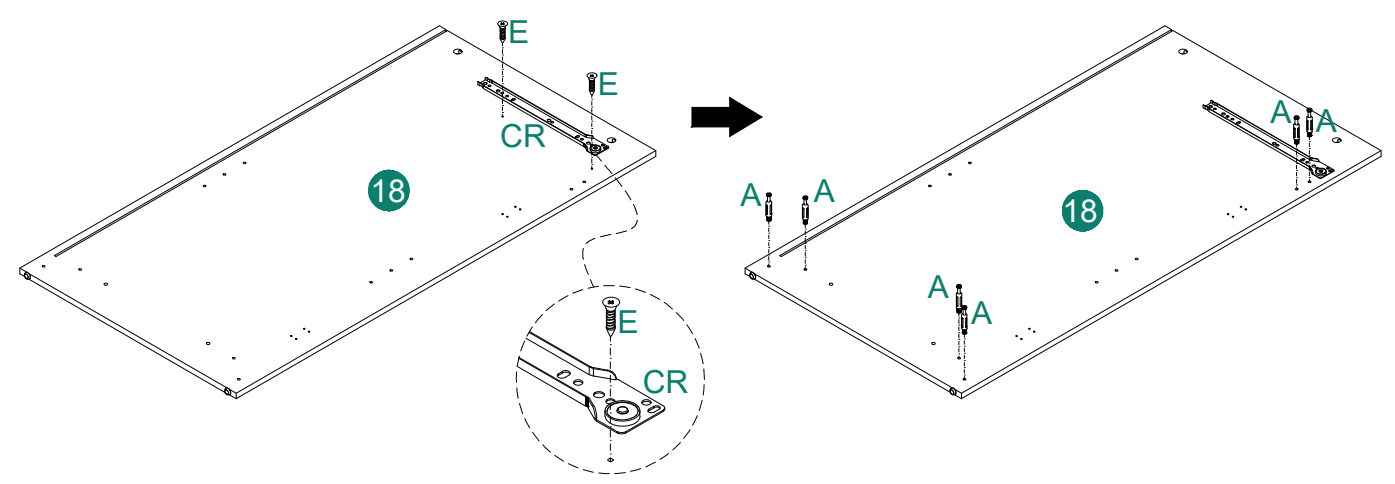
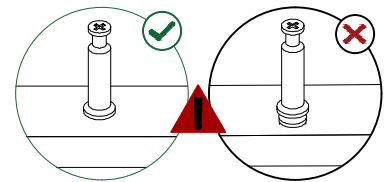


3



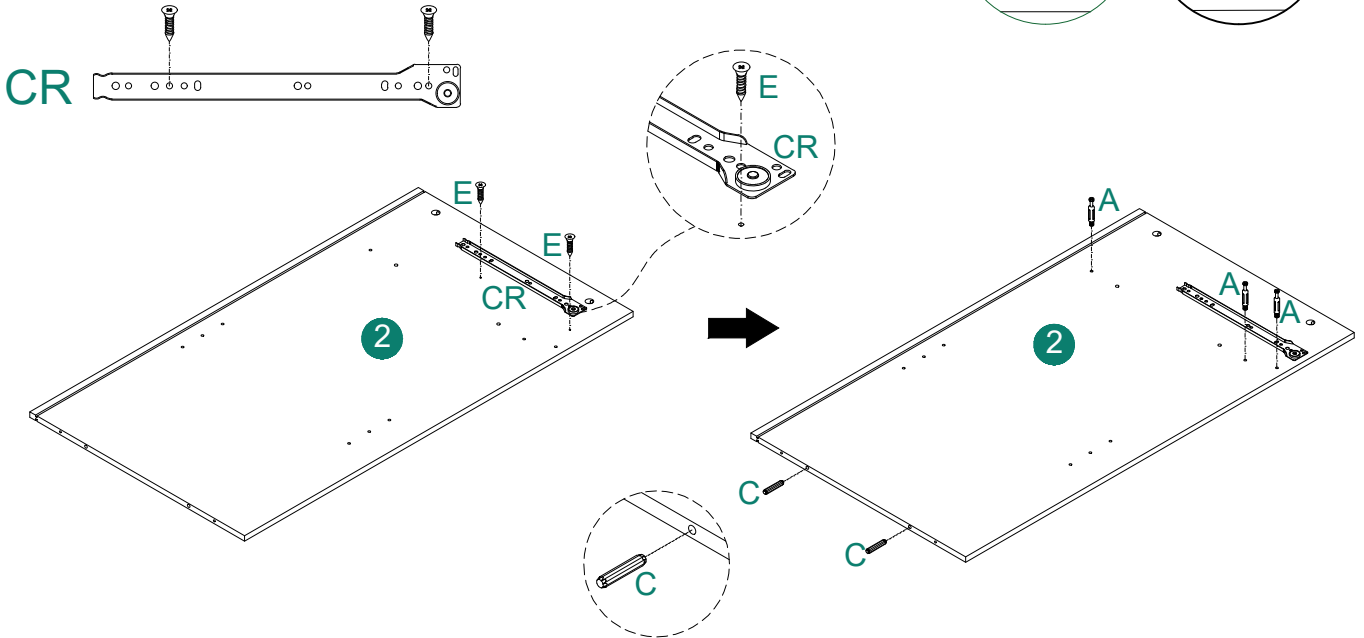
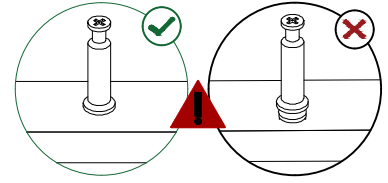
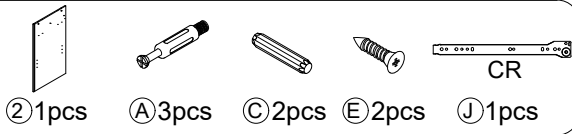
(A) 6pcs (E) 2pcs (J) 1pcs

CR

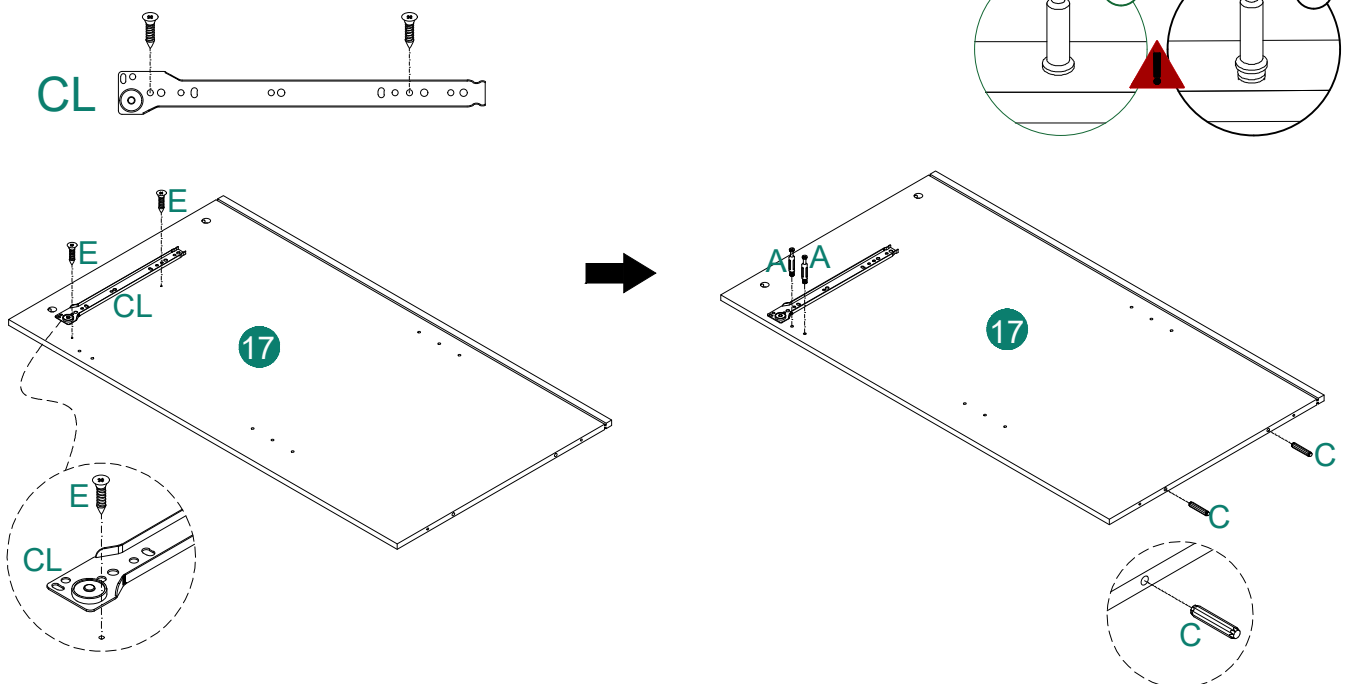
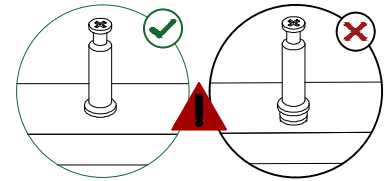


ASSEMBLY INSTRUCTION

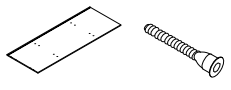
4

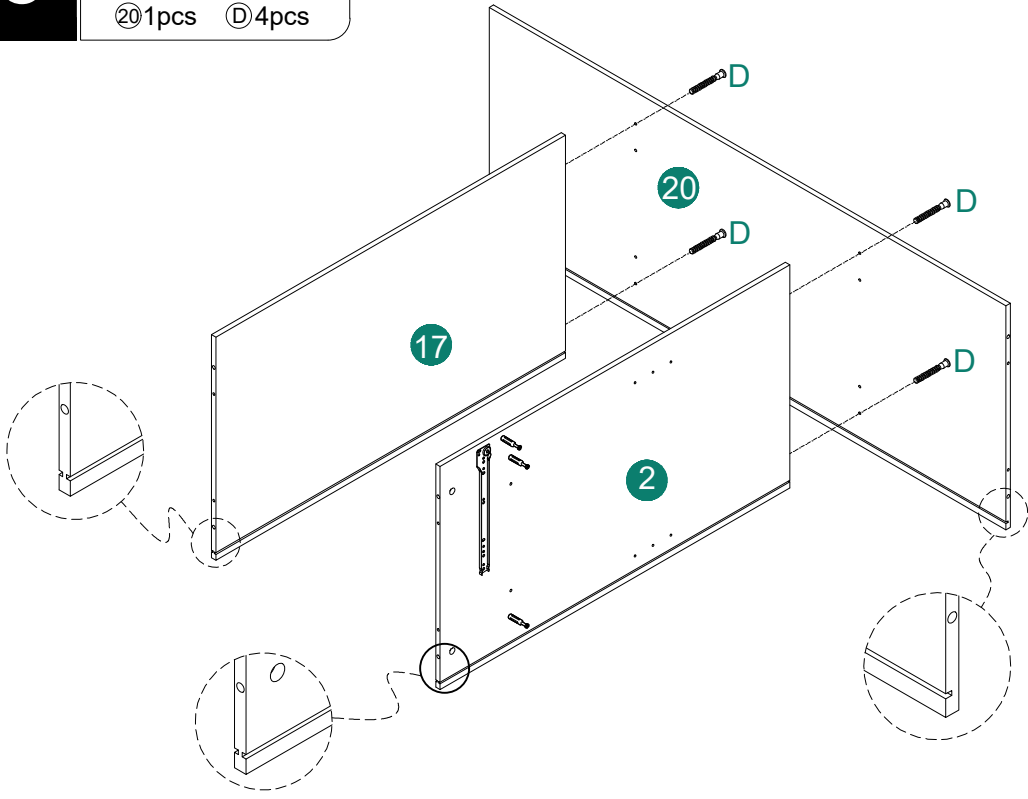


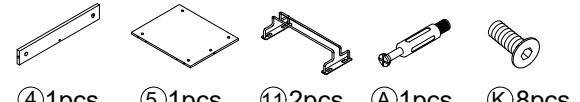
5

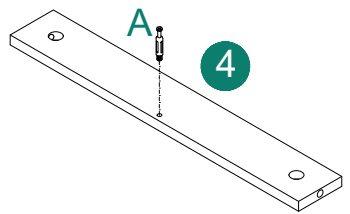
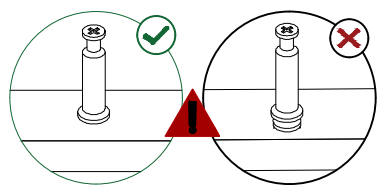
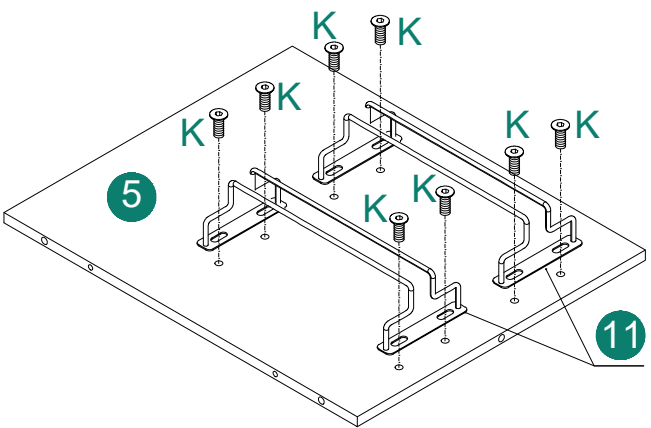


ASSEMBLY INSTRUCTION

6 
 ⑳1pcs ㉑4pcs



7 
 ④1pcs ⑤1pcs ⑪2pcs ㉑1pcs ㉒8pcs



ASSEMBLY INSTRUCTION

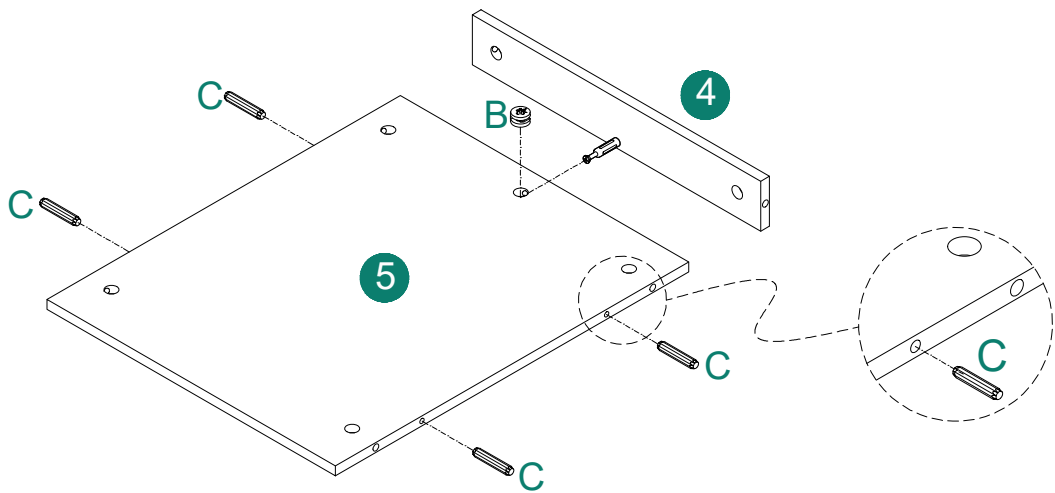
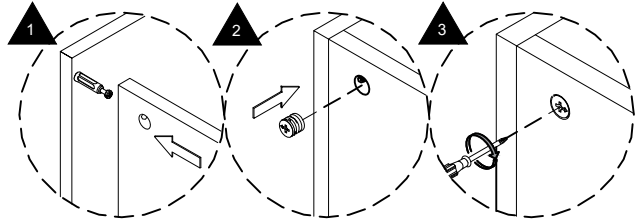
8



Ⓑ 1pcs



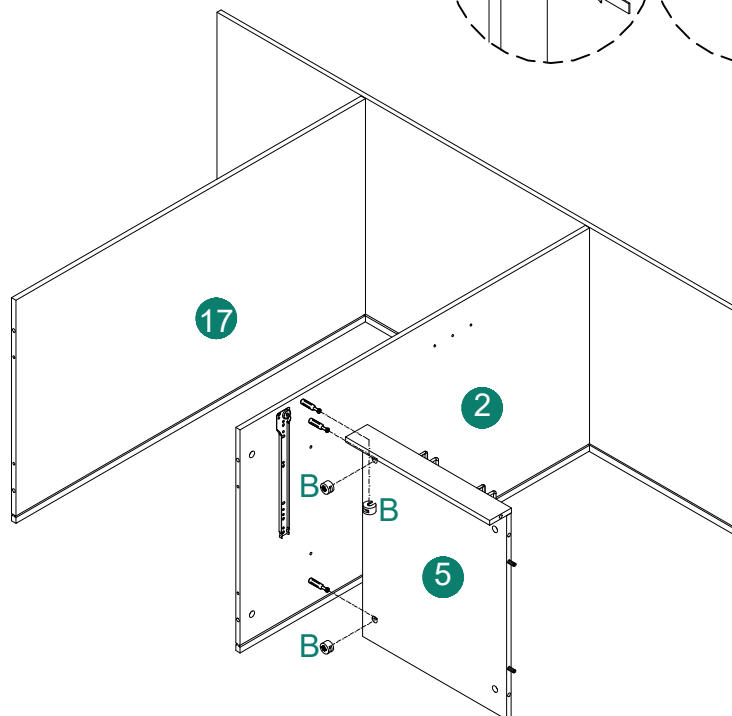
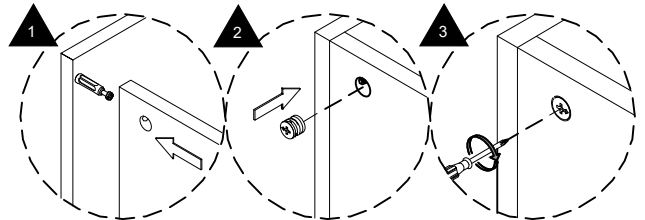
Ⓒ 4pcs



9




Ⓑ 3pcs

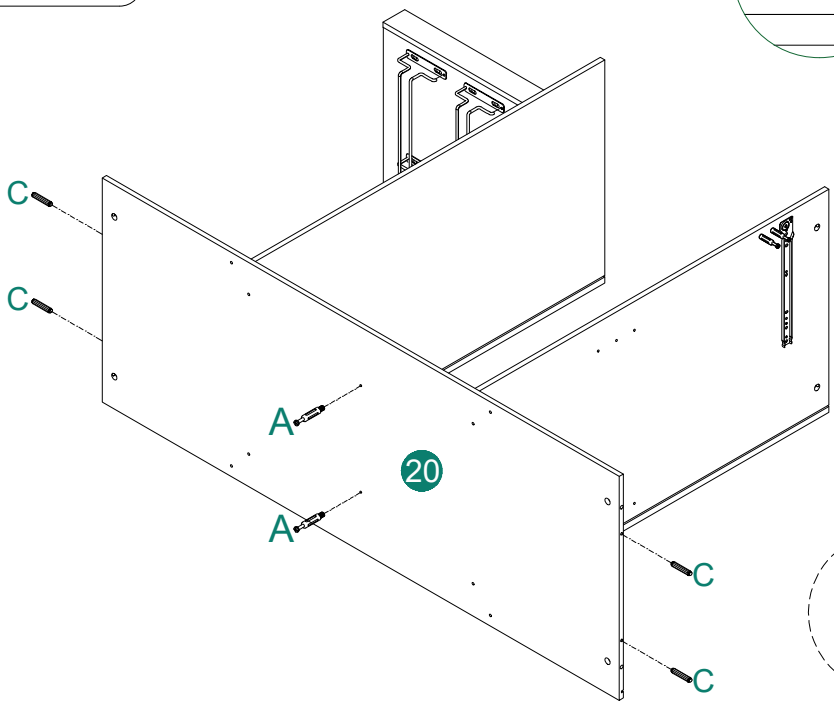
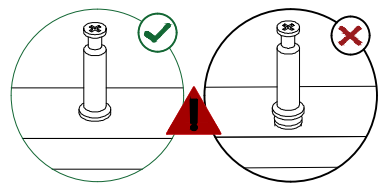


ASSEMBLY INSTRUCTION

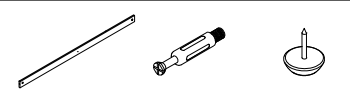
10



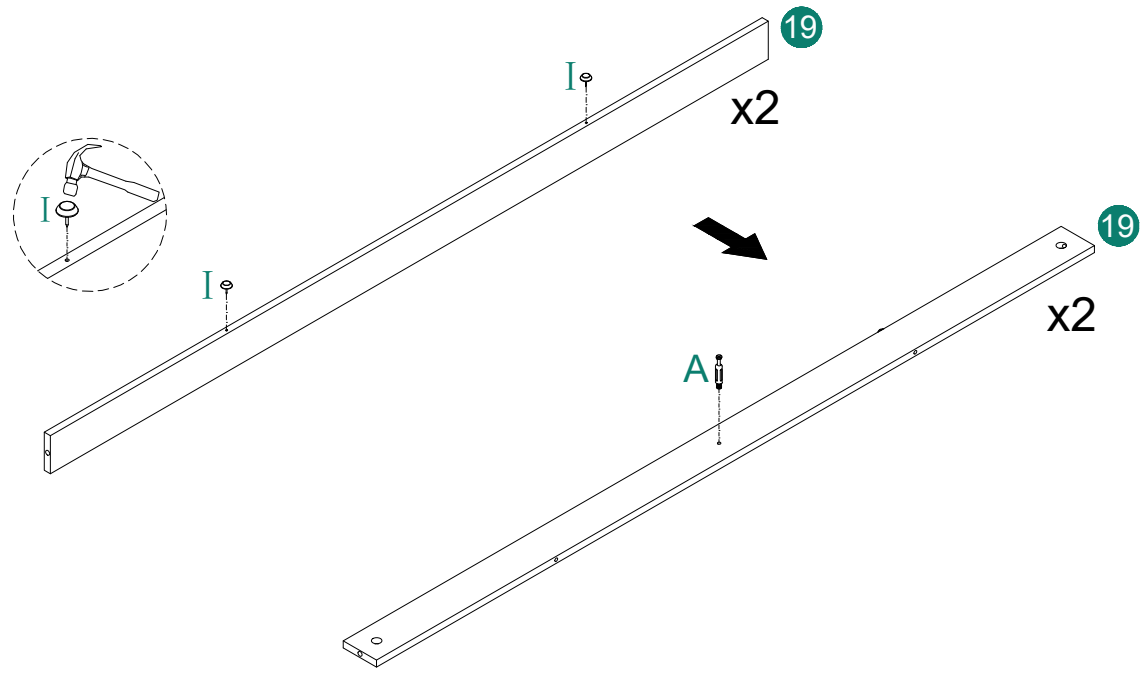
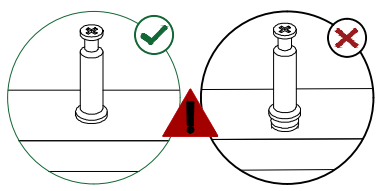
Ⓐ 2pcs Ⓒ 4pcs



11



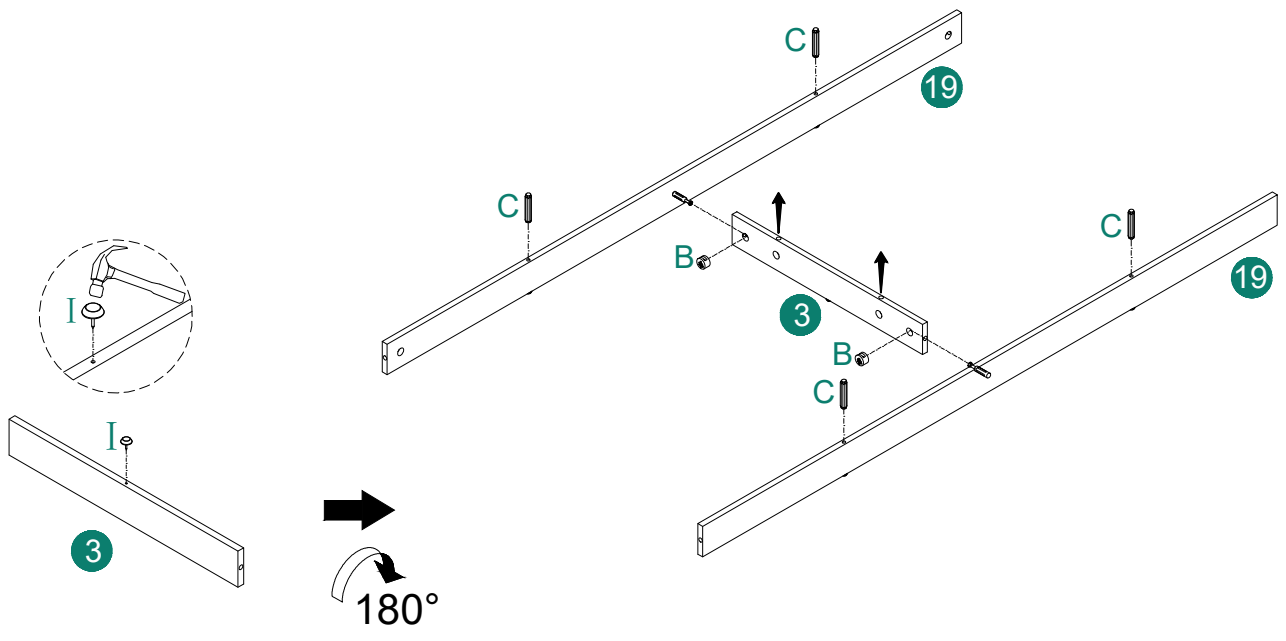
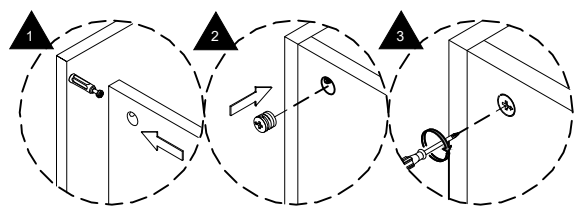
① 2pcs Ⓐ 2pcs ① 4pcs



ASSEMBLY INSTRUCTION

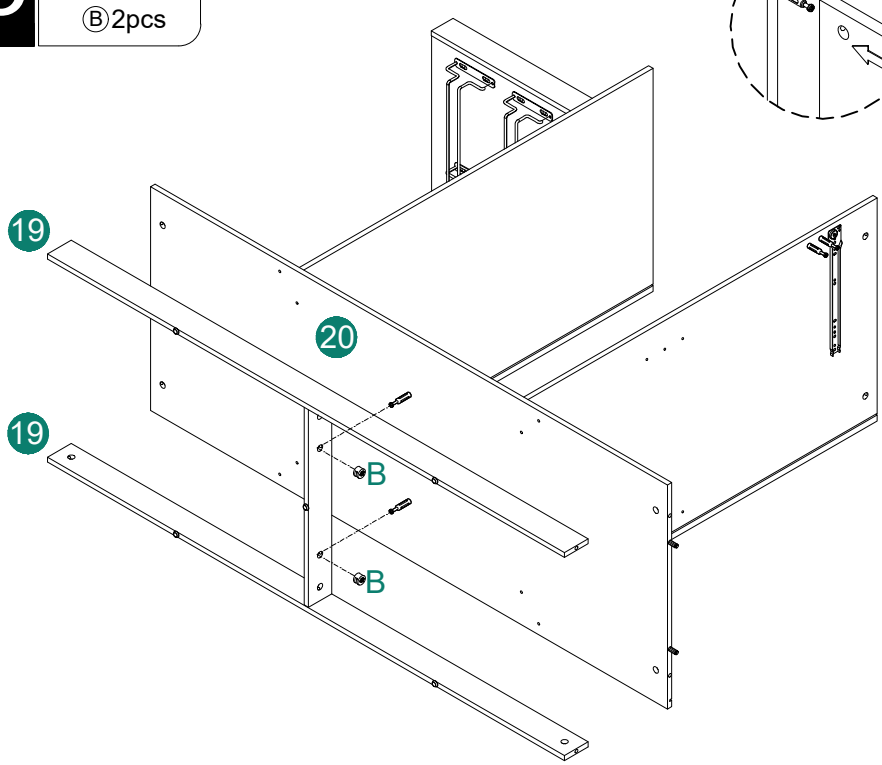
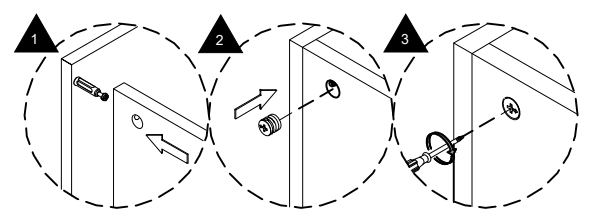
12

- ③ 1pcs
- Ⓑ 2pcs
- Ⓒ 4pcs
- Ⓘ 1pcs



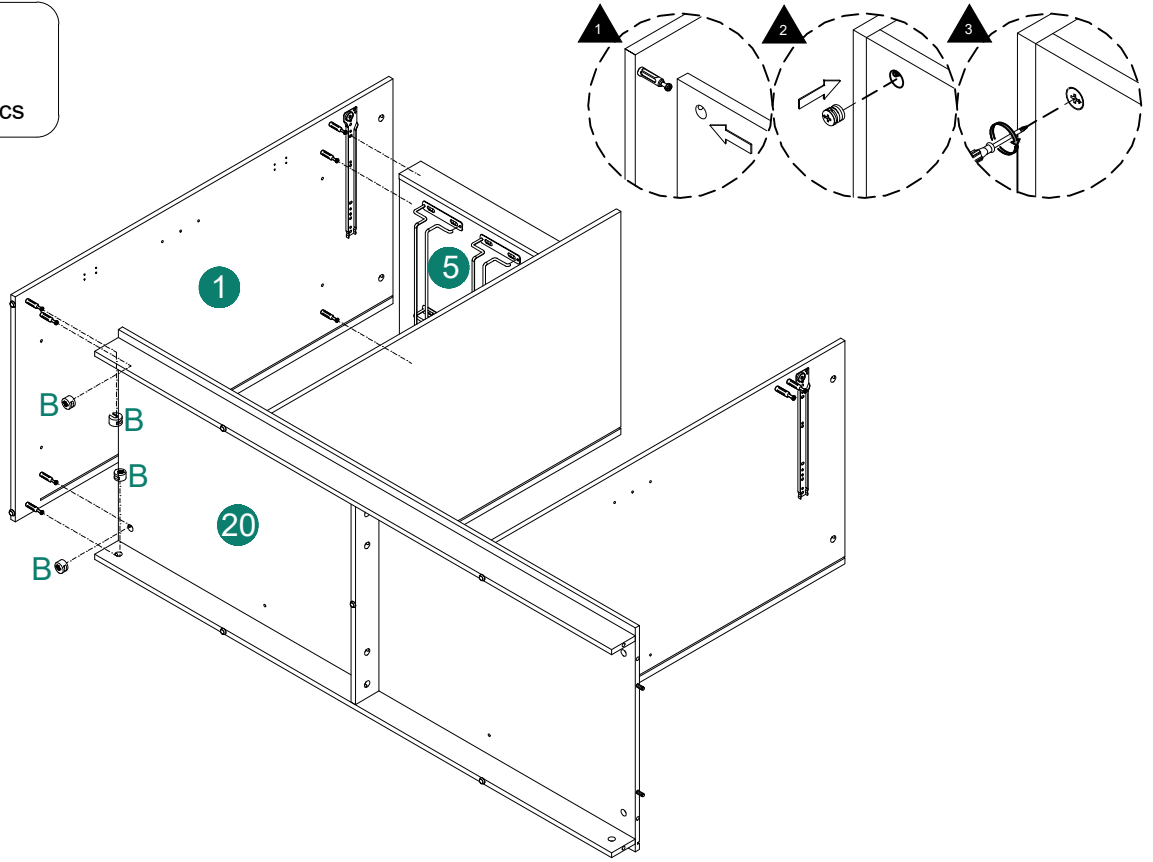
13

- Ⓑ 2pcs

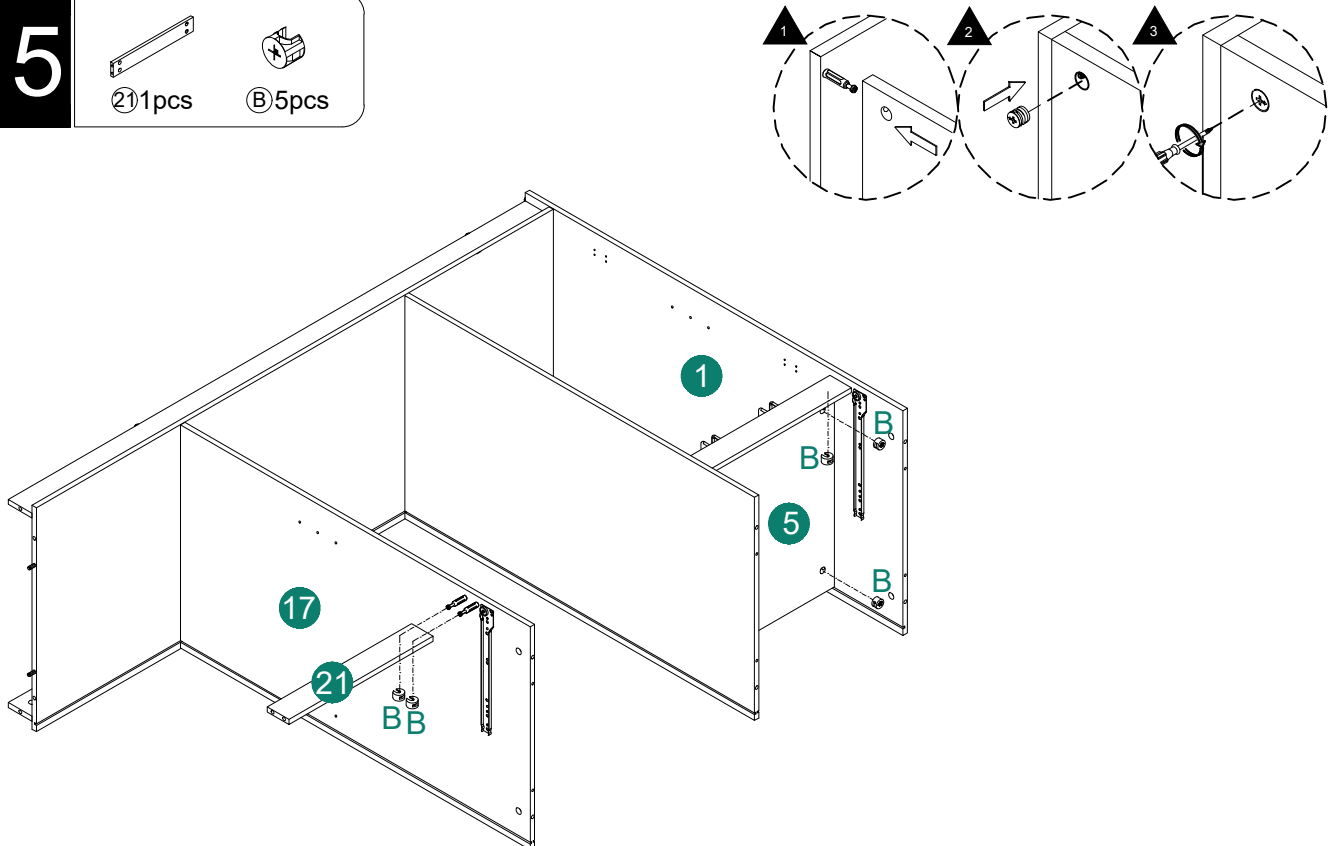
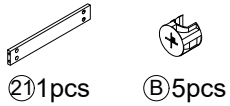


ASSEMBLY INSTRUCTION

14

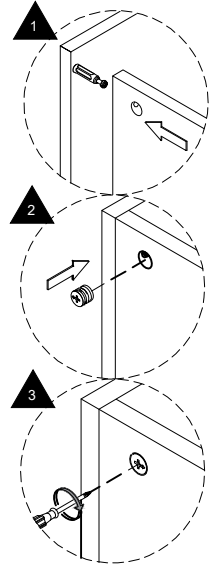
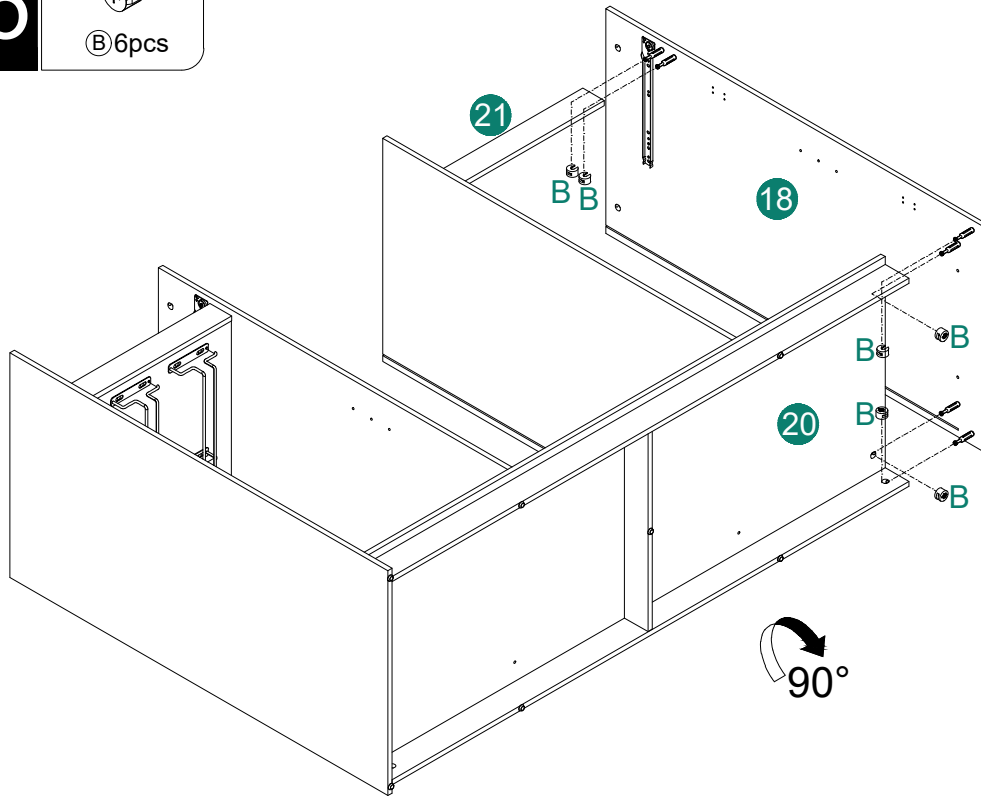


15

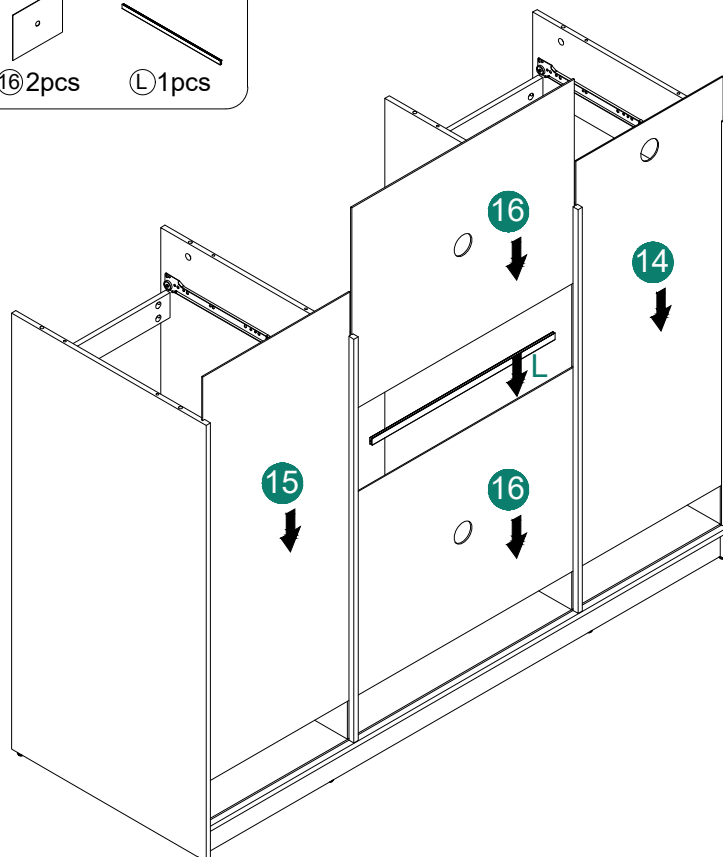
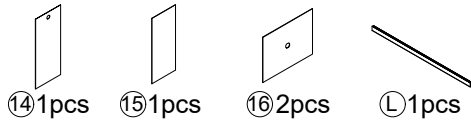


ASSEMBLY INSTRUCTION

16

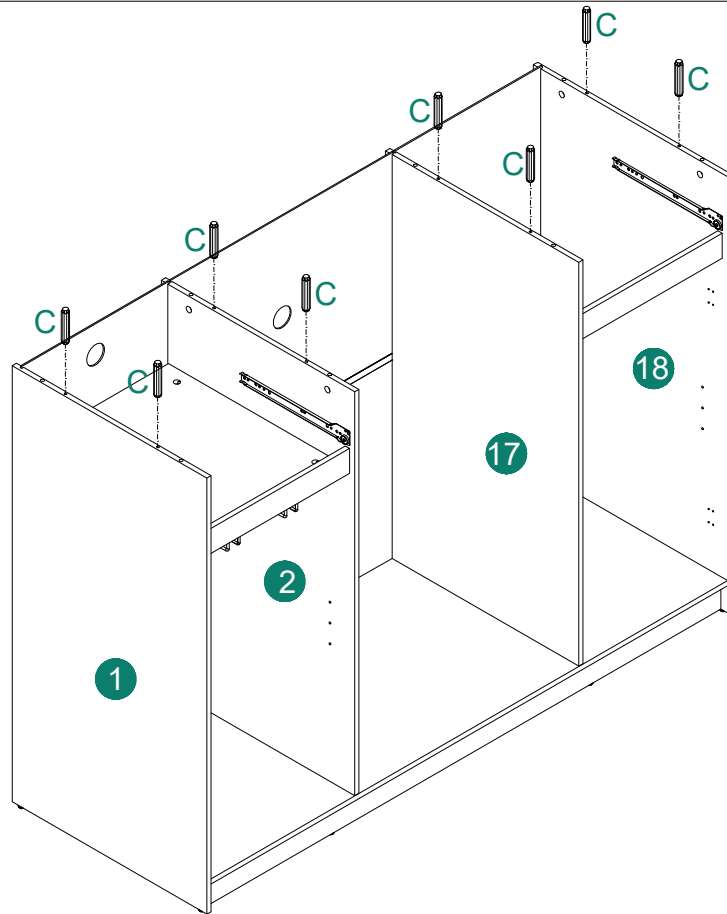


17

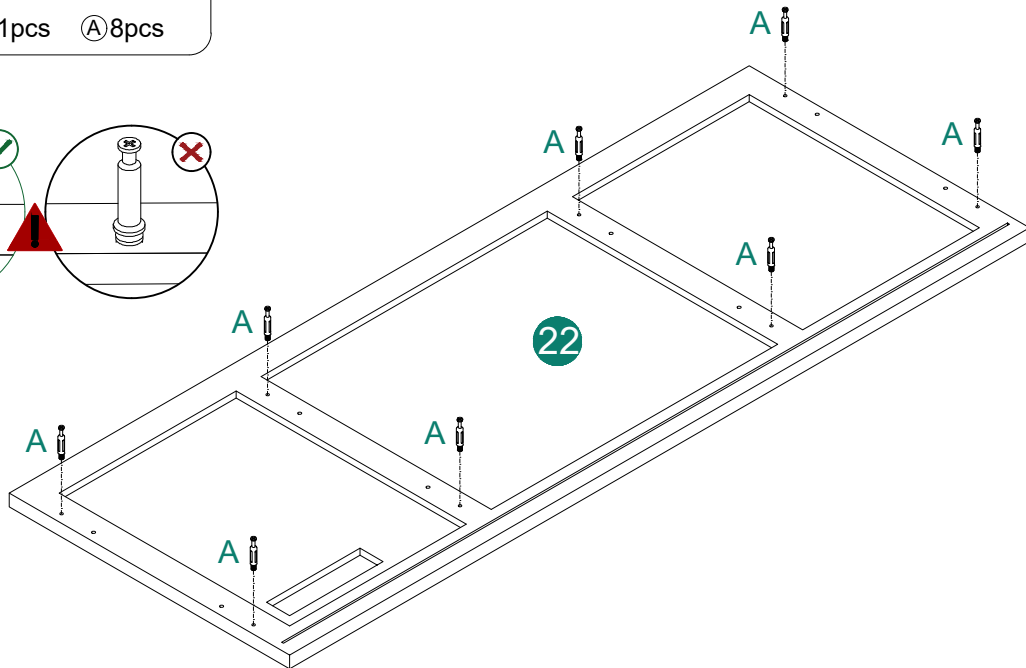
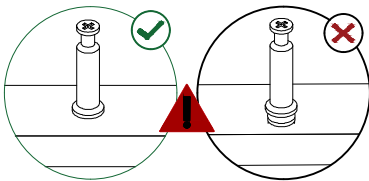
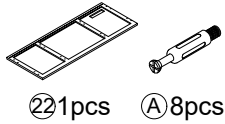


ASSEMBLY INSTRUCTION

18

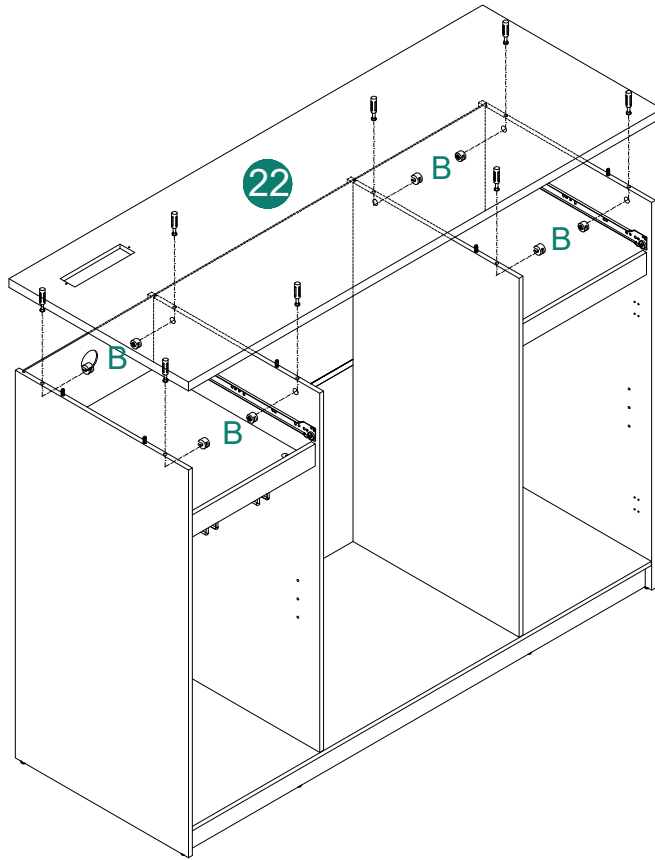
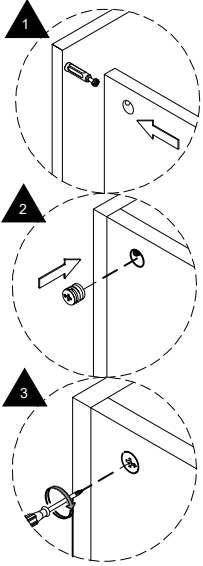


19

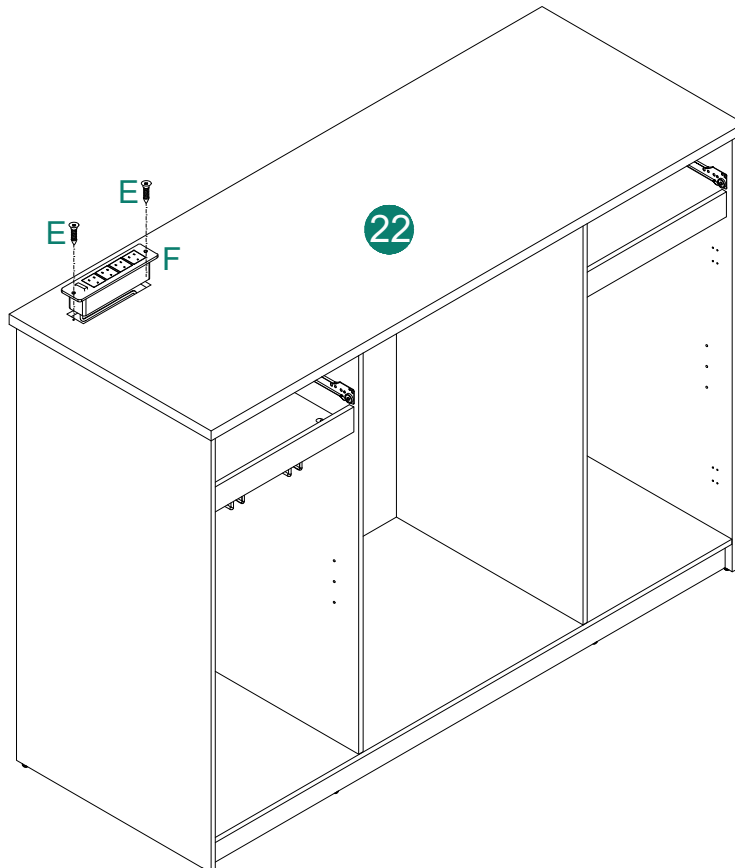
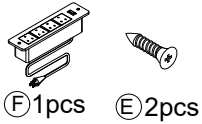


ASSEMBLY INSTRUCTION

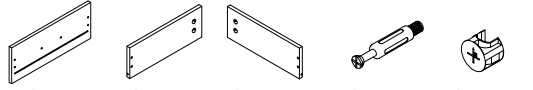
20

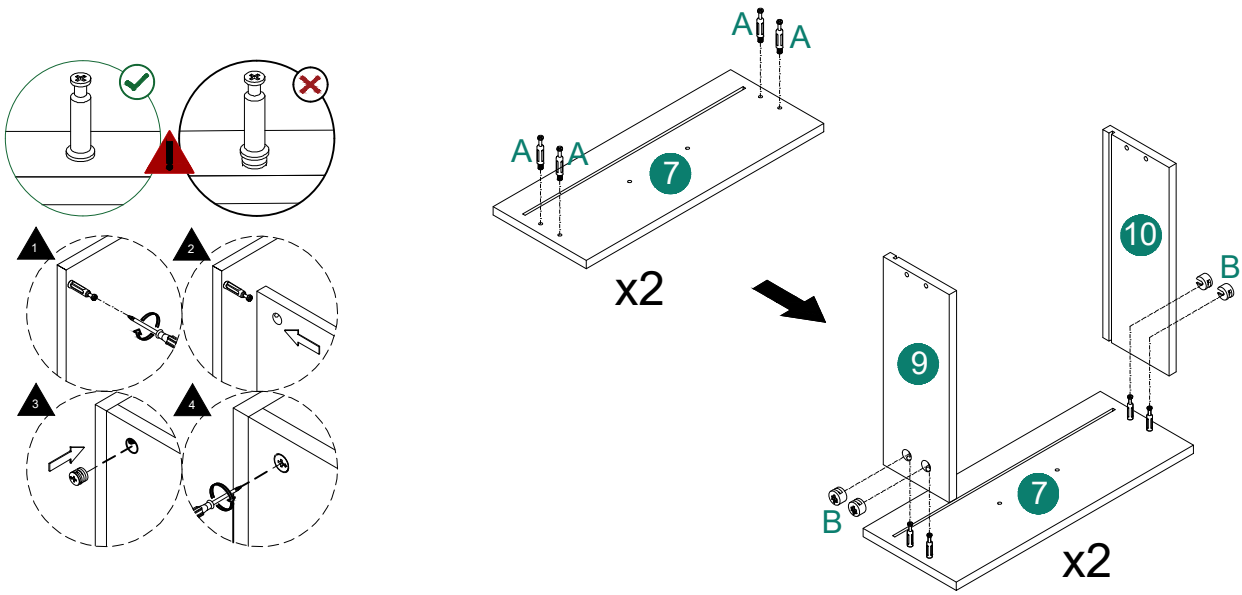


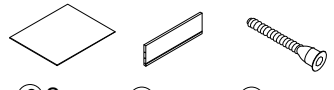
21

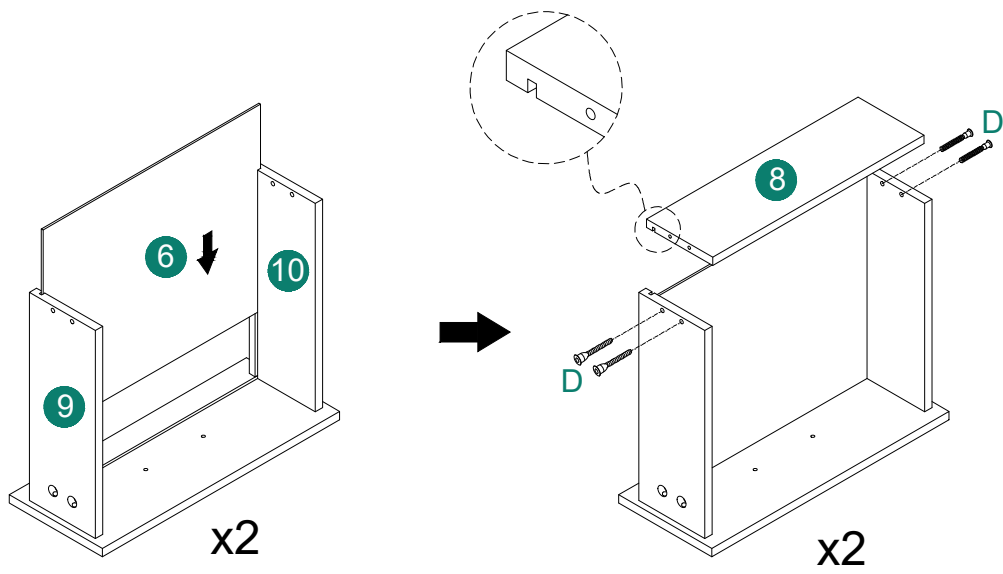


ASSEMBLY INSTRUCTION

22 
 ⑦ 2pcs ⑨ 2pcs ⑩ 2pcs ① 8pcs ② 8pcs

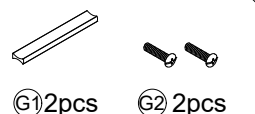


23 
 ⑥ 2pcs ⑧ 2pcs ④ 8pcs

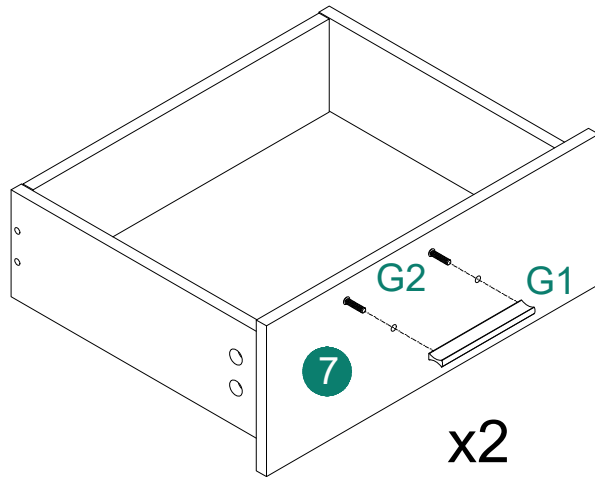


ASSEMBLY INSTRUCTION

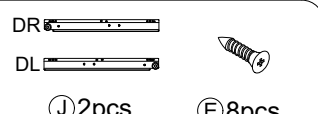
24



G1 2pcs G2 2pcs

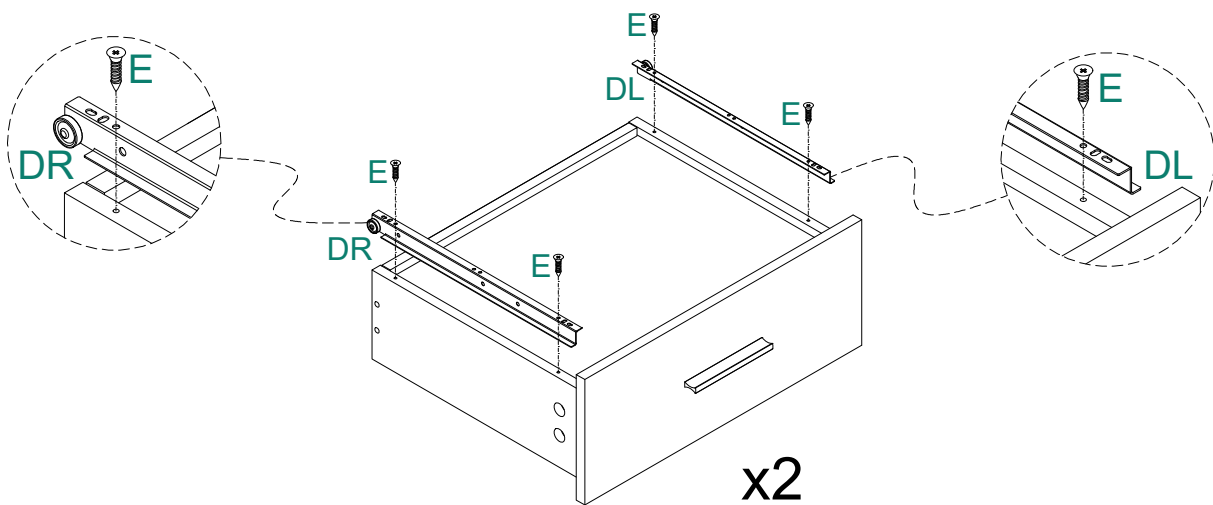


25



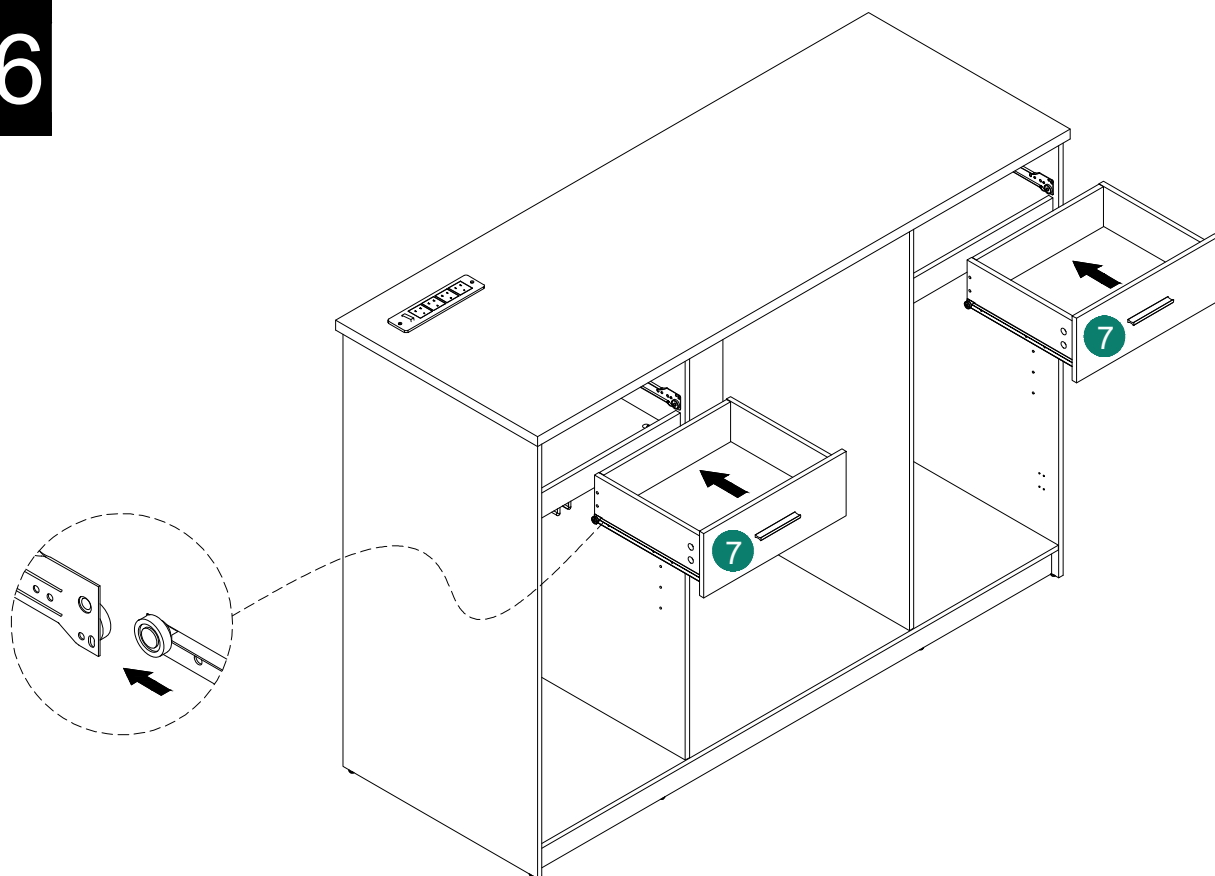
DR
DL

J 2pcs E 8pcs

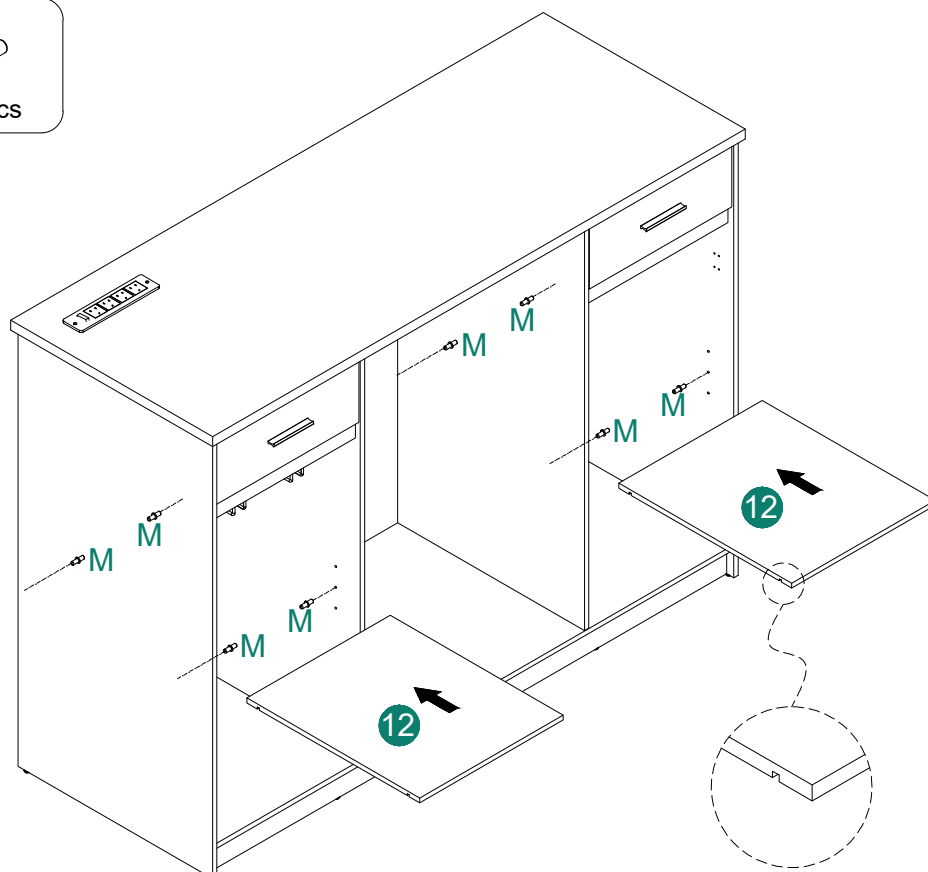
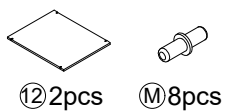


ASSEMBLY INSTRUCTION

26



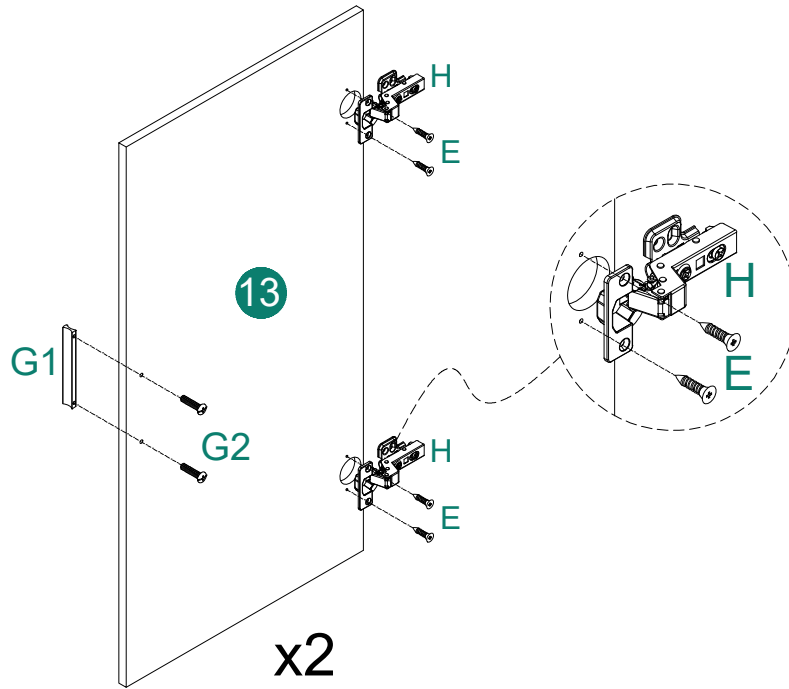
27



ASSEMBLY INSTRUCTION

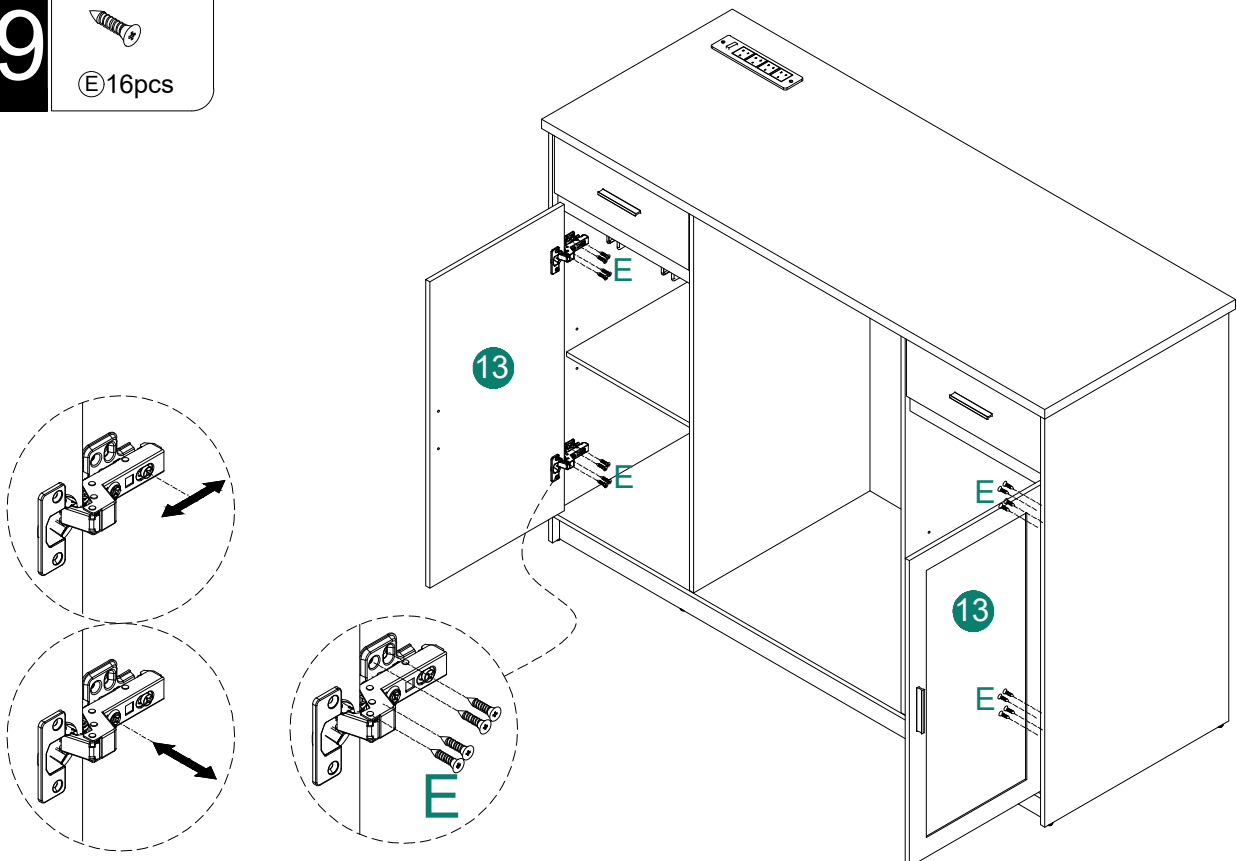
28

- ⑬ 2pcs
- Ⓔ 8pcs
- Ⓖ1 2pcs
- Ⓖ2 2pcs
- Ⓕ 4pcs



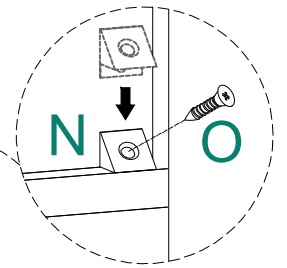
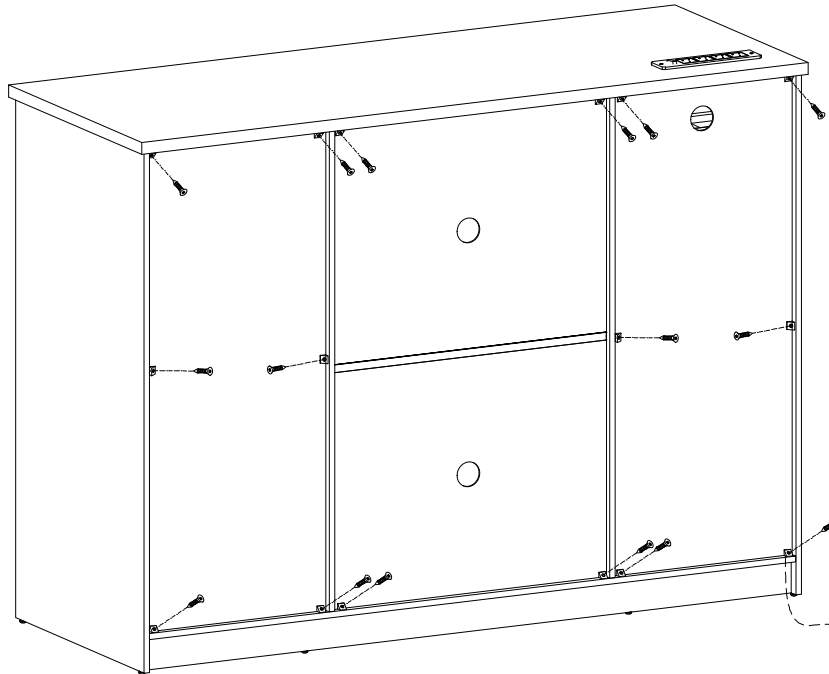
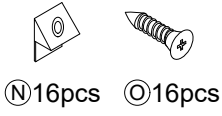
29

- Ⓔ 16pcs

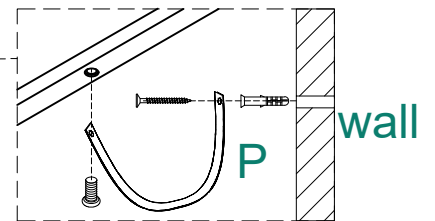
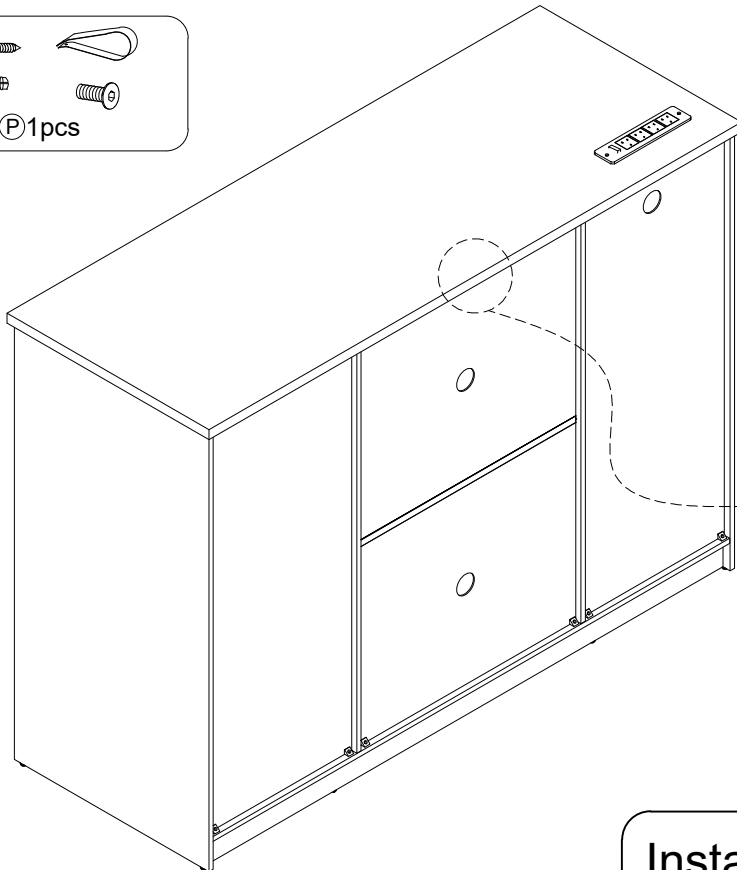
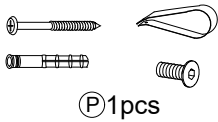


ASSEMBLY INSTRUCTION

30



31



Installation Completed