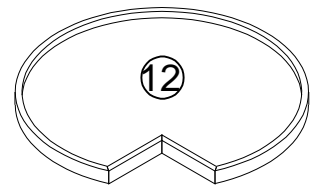
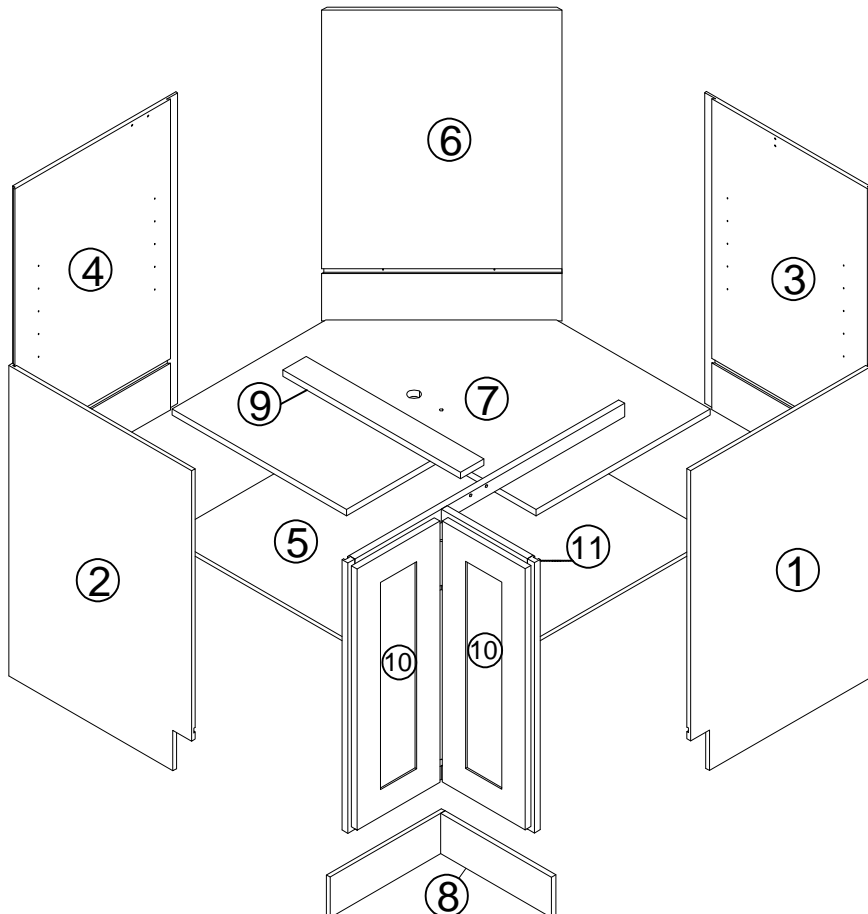
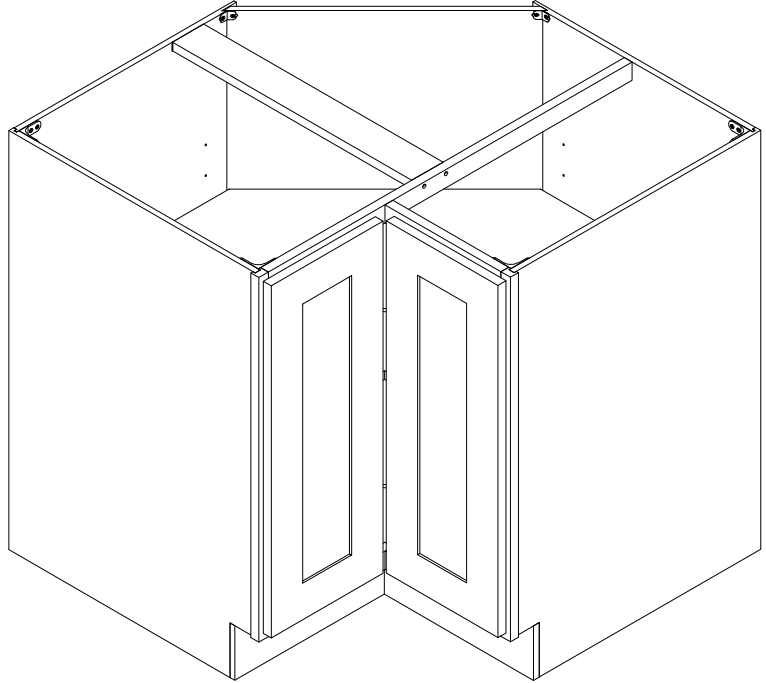


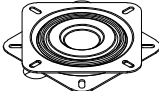
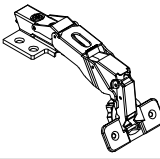
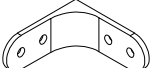

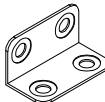






PROJECT NAME:  
 ITEM NAME: BASE CABINET\_2DOOR  
 ITEM CODE: BLS33, BLS36




PARST LIST

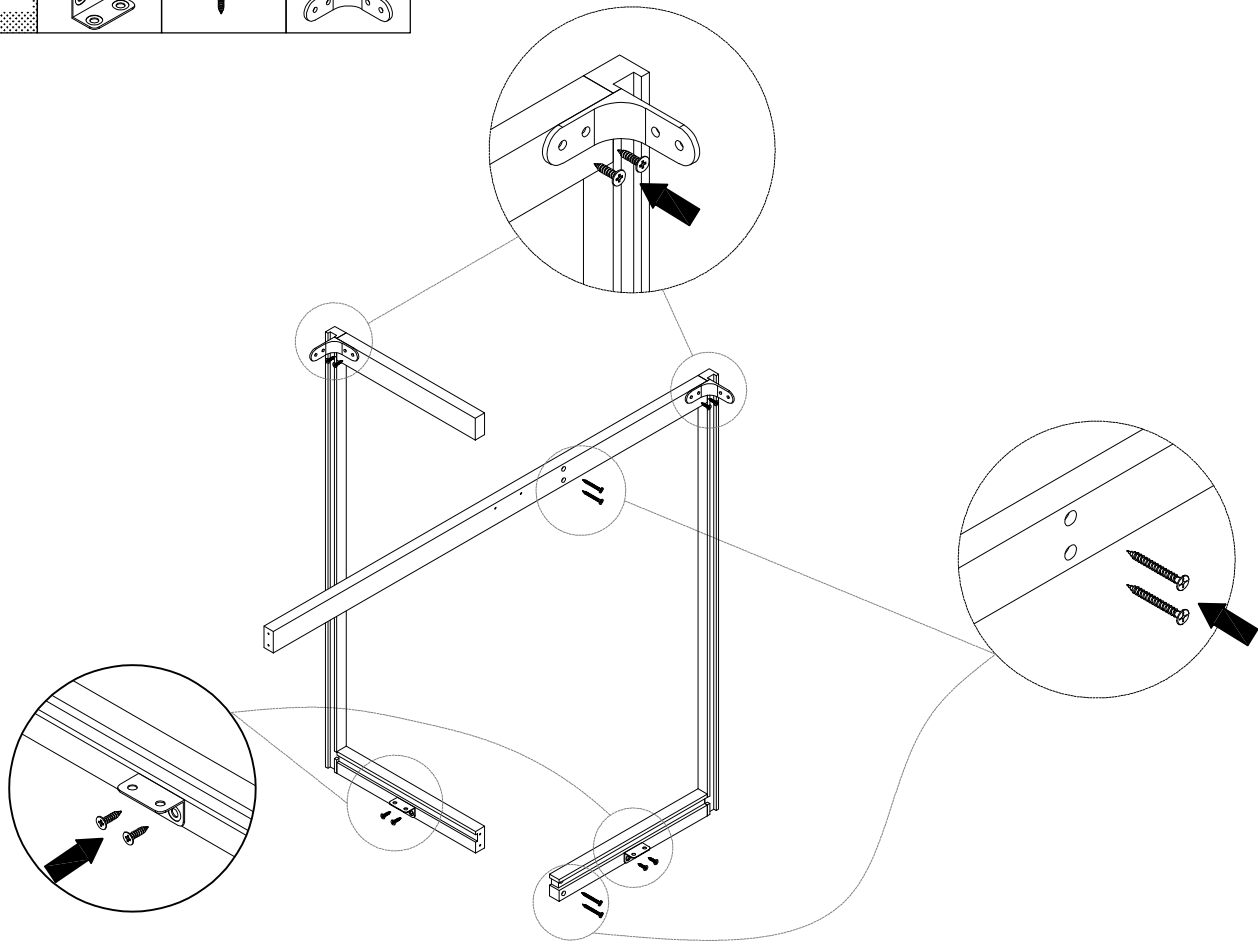
NO	NAME	QTY
1	RIGHT SIDE PANEL	01pcs
2	LEFT SIDE PANEL	01pcs
3	BACK RIGHT SIDE PANEL	01pcs
4	BACK LEFT SIDE PANEL	01pcs
5	BOTTOM PANEL	01pcs
6	BACK PANEL	01pcs
7	SHELF	01pcs
8	TOE KICK	02pcs
9	TOP SUPPORT BAR	01pcs
10	DOOR	01pcs
11	FACE FRAME	01pcs
12	LAZYSUSAN	02pcs






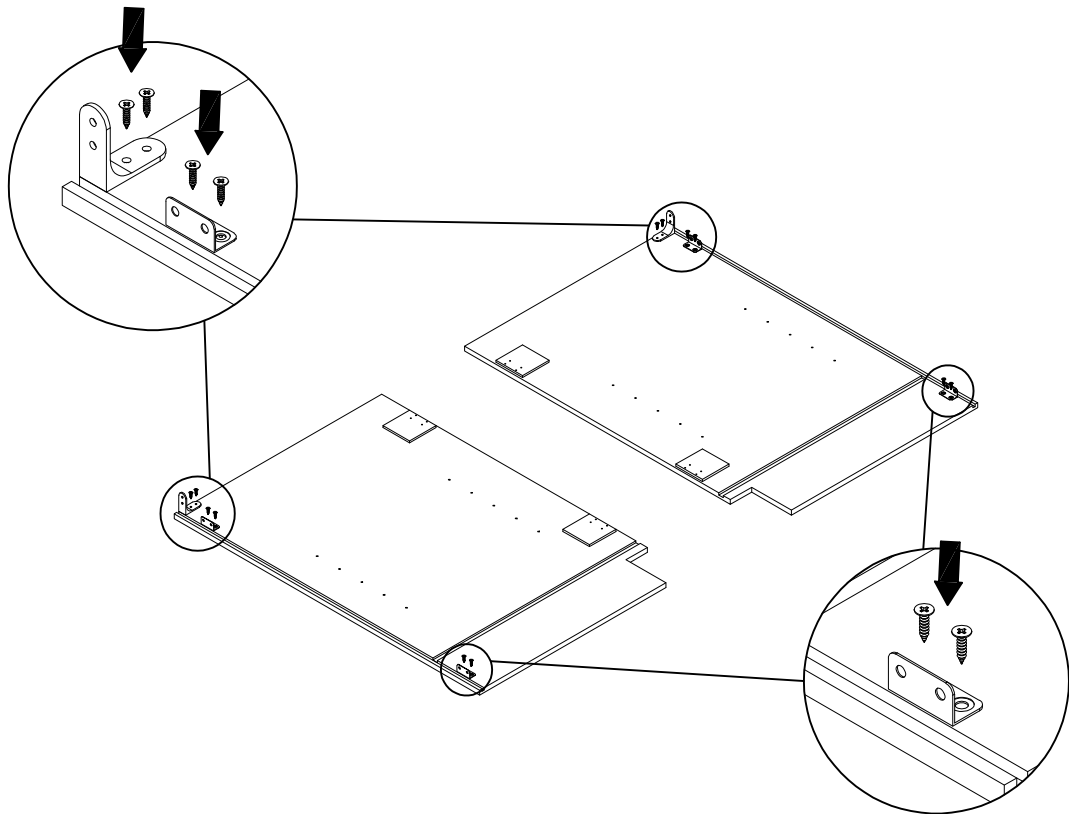
## HARDWARE LIST

NO	NAME	picture	QTY
A	ĐỂ MÂM SOAY		2pcs
B	HINGE 165°		02pcs
C	90°METAL BRACKET		4pcs
D	SHELF PINS		8pcs
E	CORNER BRACKET		12pcs
F	Φ3.5×12mm SCREWS		57pcs
G	Φ4×25mm BACKBOARD SCREWS		10pcs
H	Φ4×19mm HINGE SCREWS		6pcs
k	Φ3.5×14mm HINGE SCREWS		8pcs
I	BUMPER		4pcs
T	Φ4×12mm SCREWS		8pcs

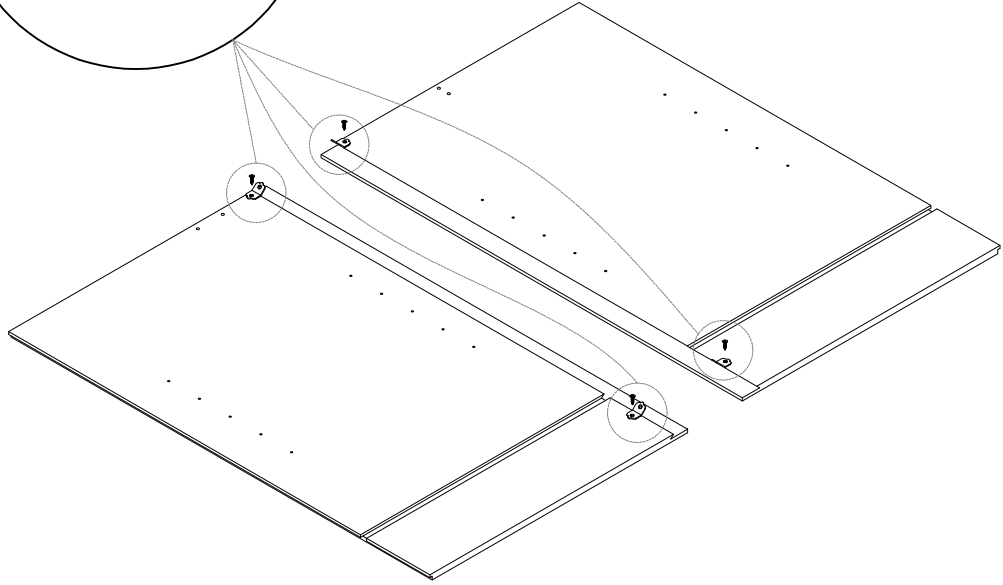
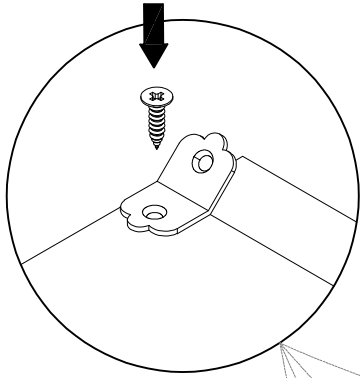
<b>STEP1</b>	<b>E x 2</b>	<b>F x 8</b>	<b>C x 2</b>
			



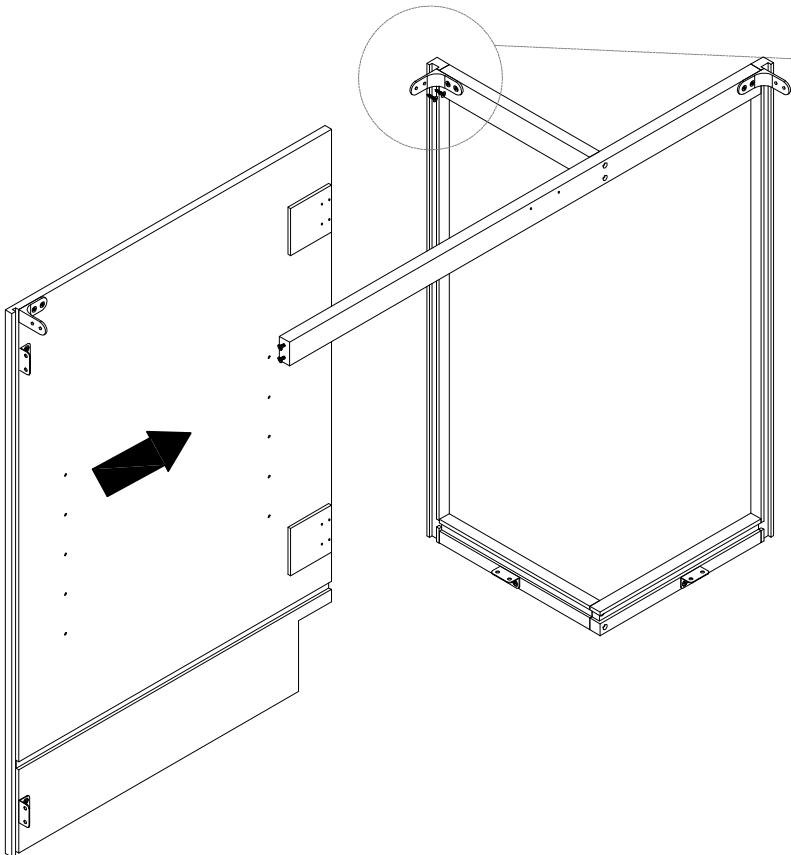
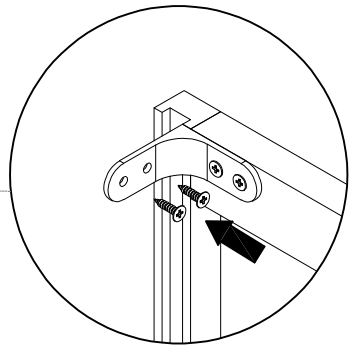
<b>STEP2</b>	<b>E x 4</b>	<b>F x 12</b>	<b>C x 2</b>
			



**STEP3** F x 4 x 4

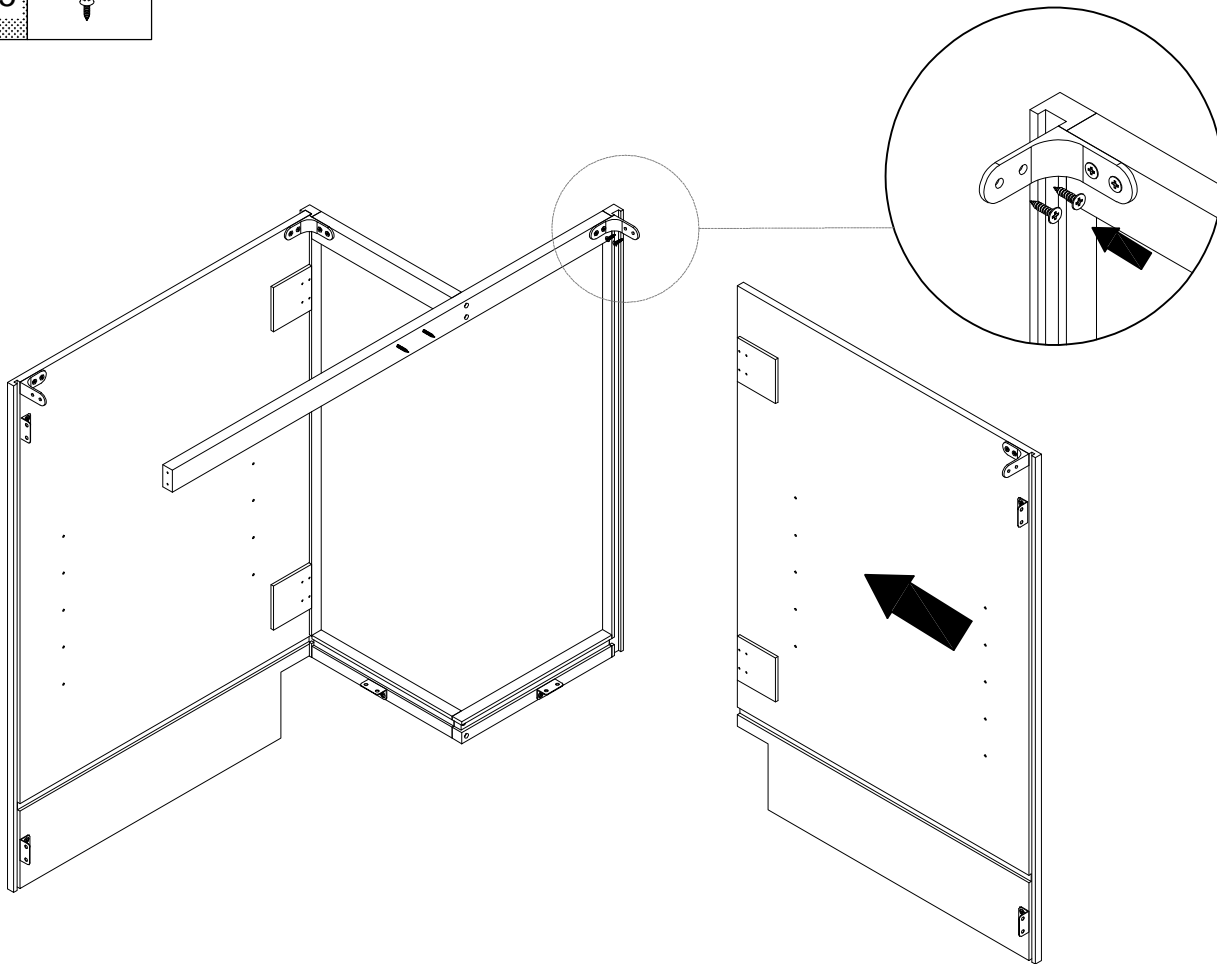


**STEP4** F x 2



**STEP5**

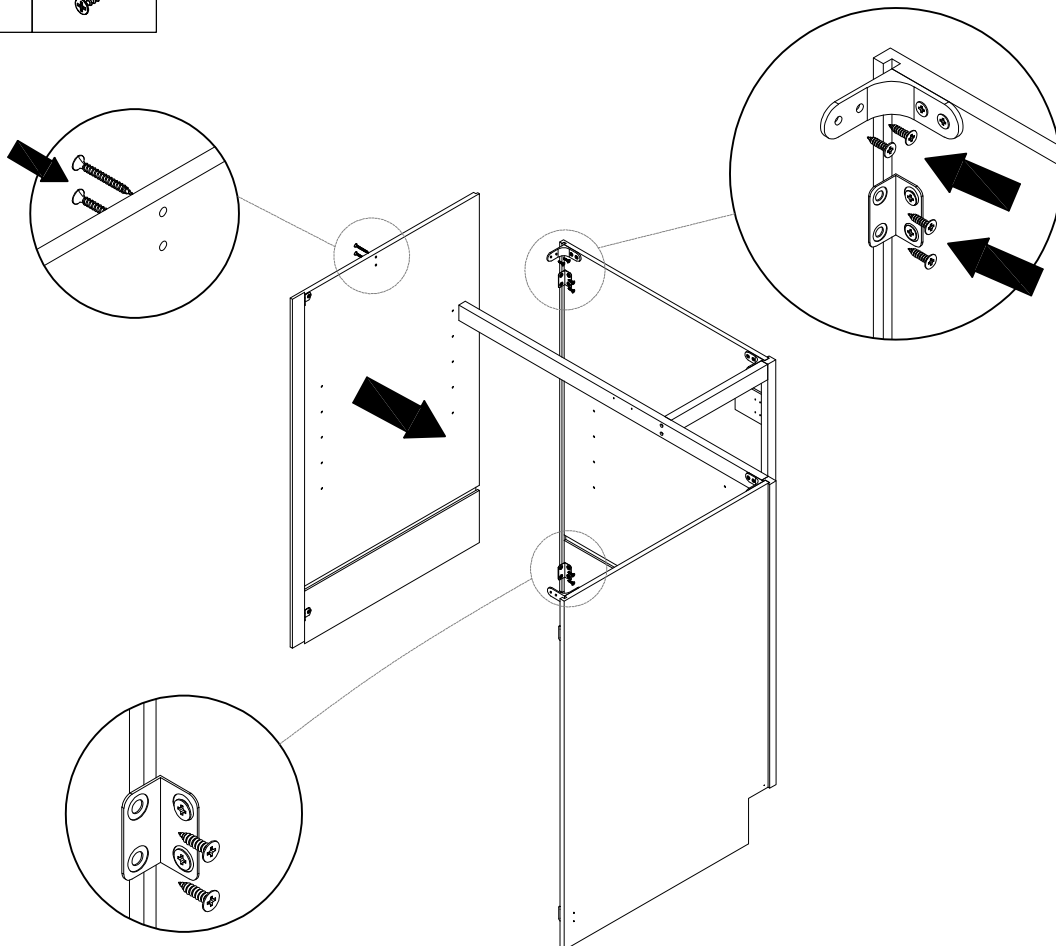
F x 2



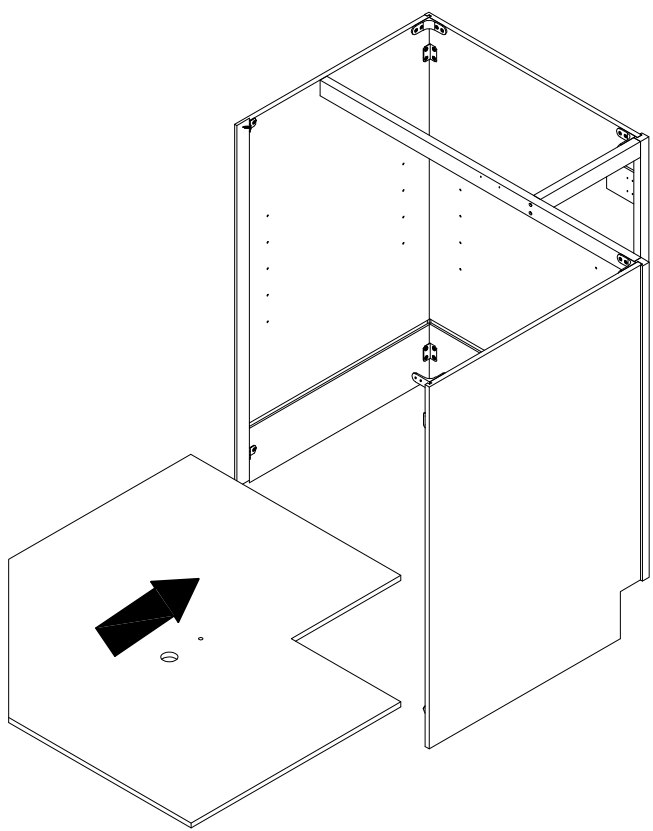
**STEP6**

F x 8

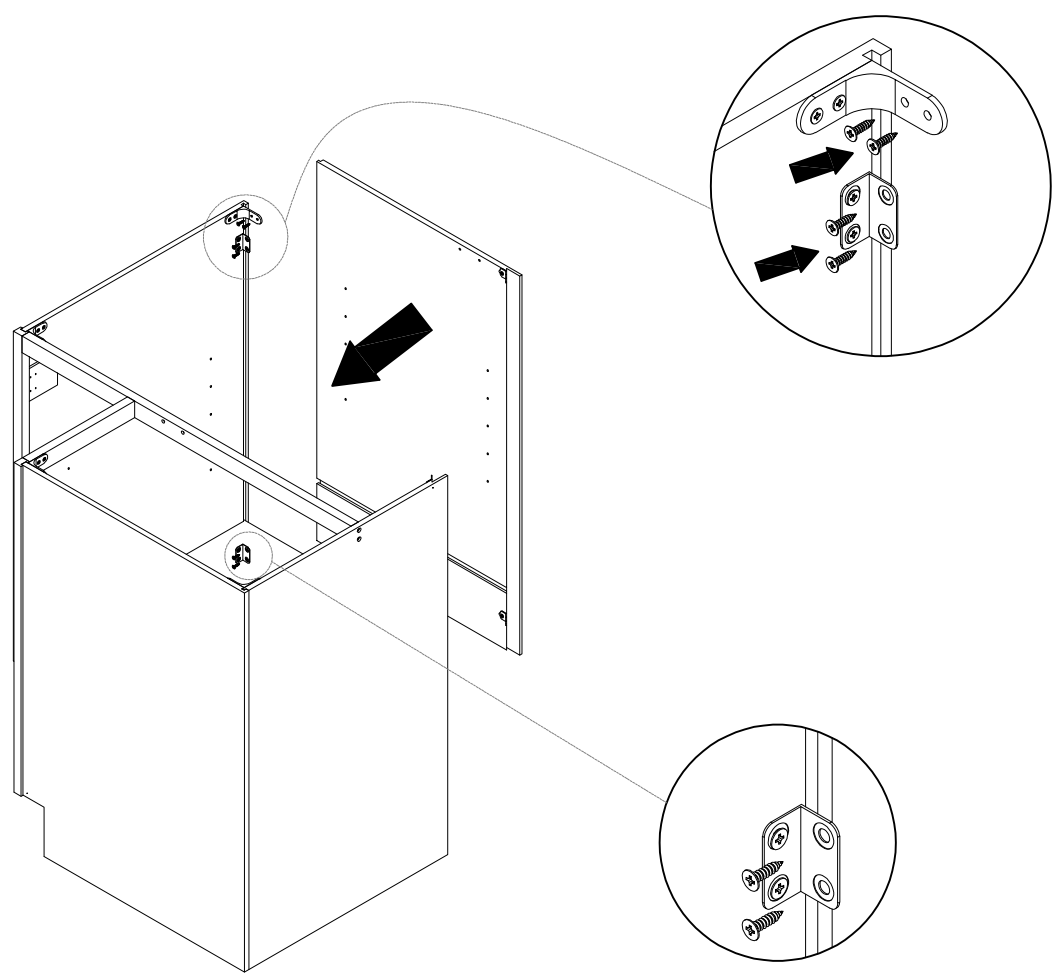
G x 3



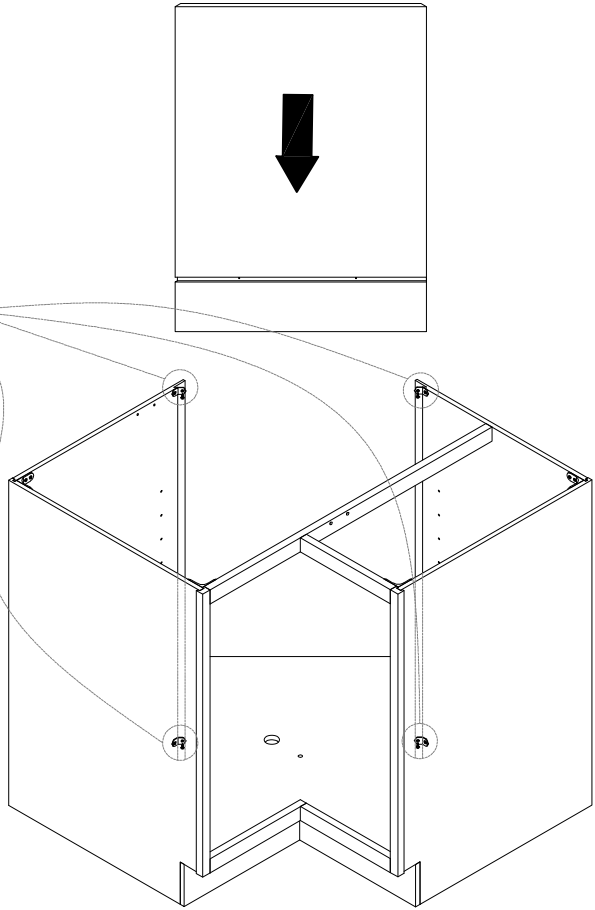
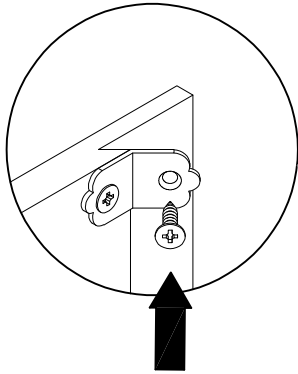
**STEP7** F x 4



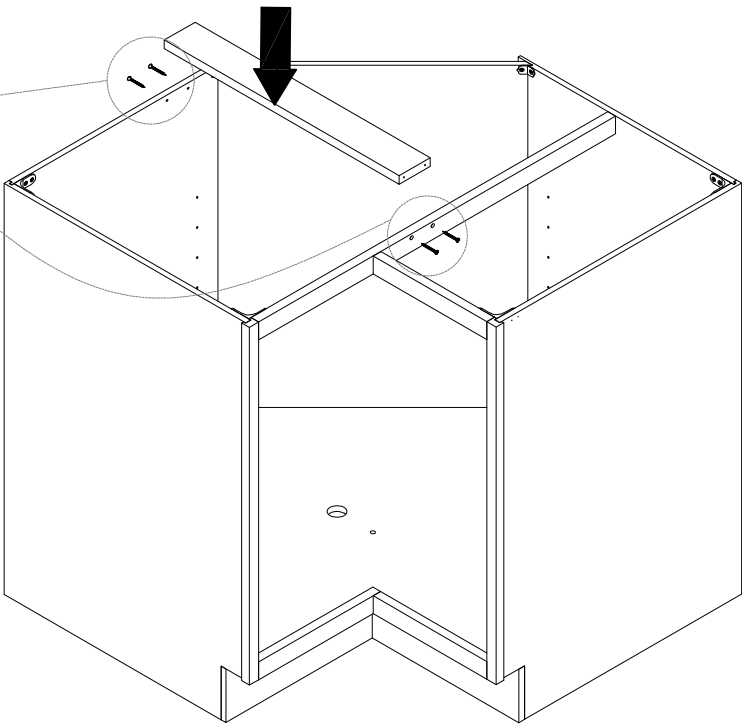
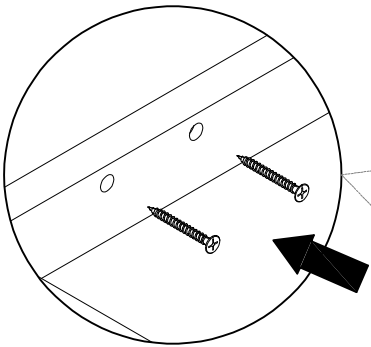
**STEP8** F x 6



**STEP9** F x 4

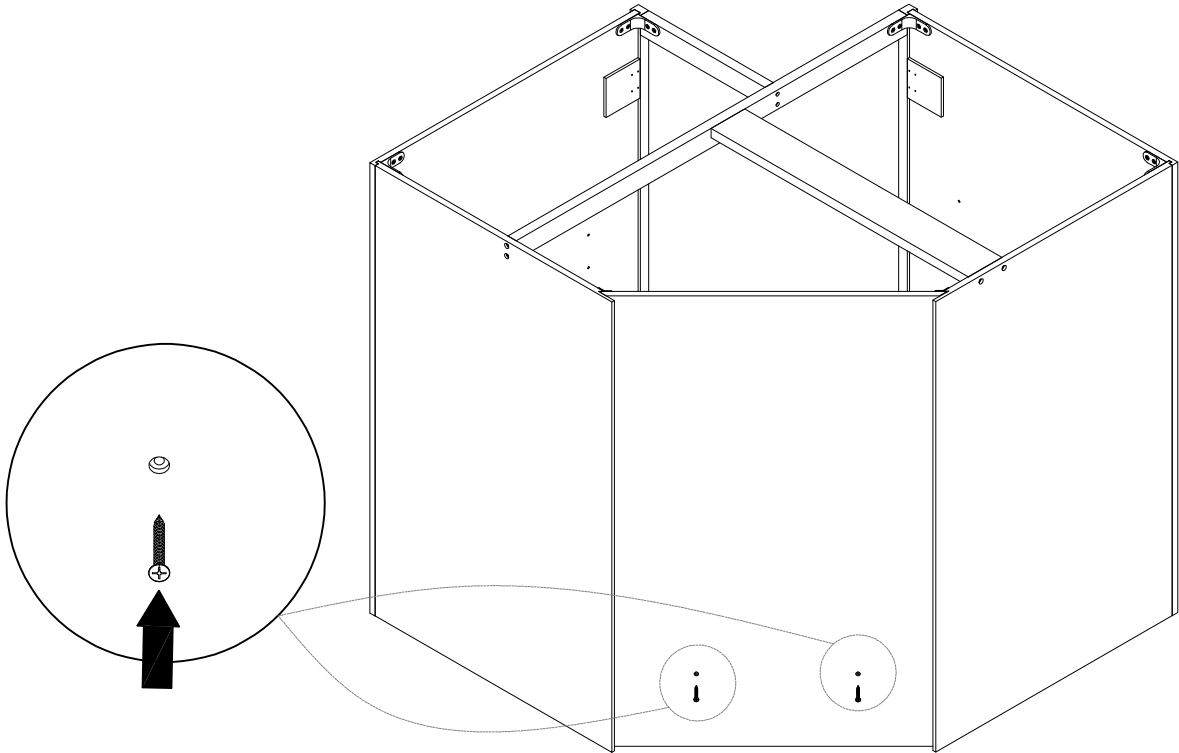


**STEP10** G x 4



**STEP11**

G x 2

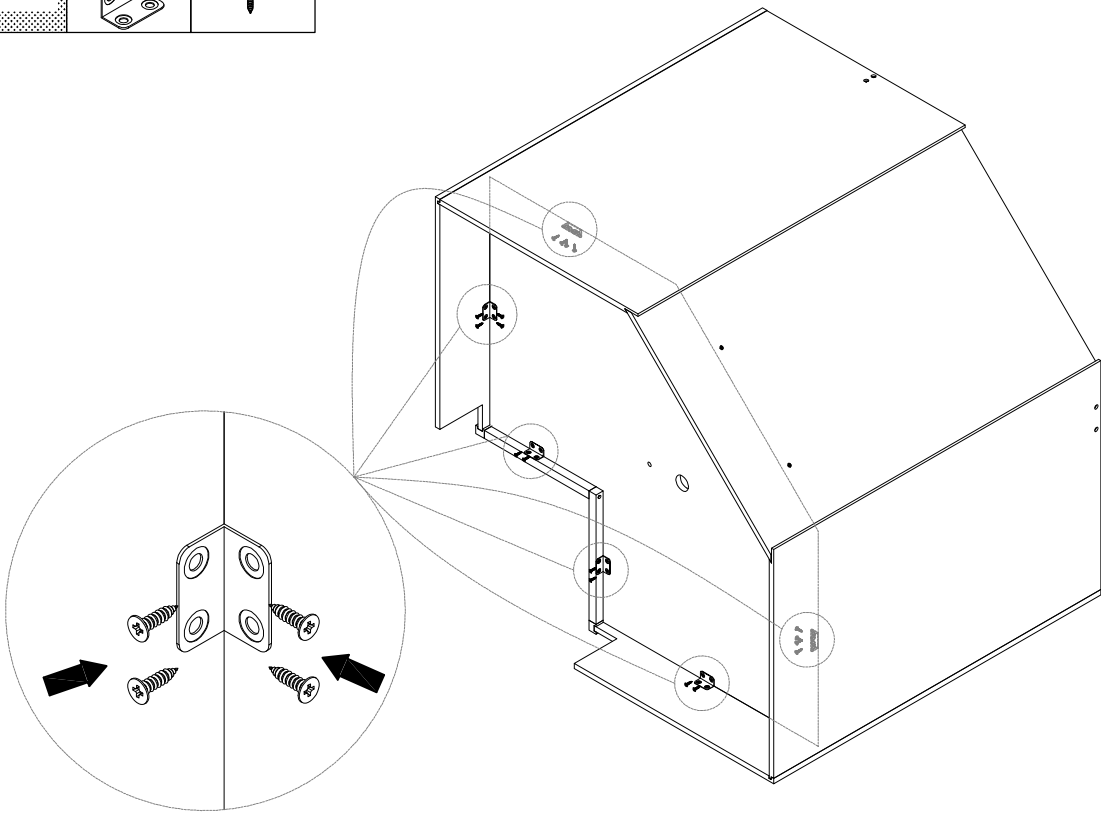


**STEP12**

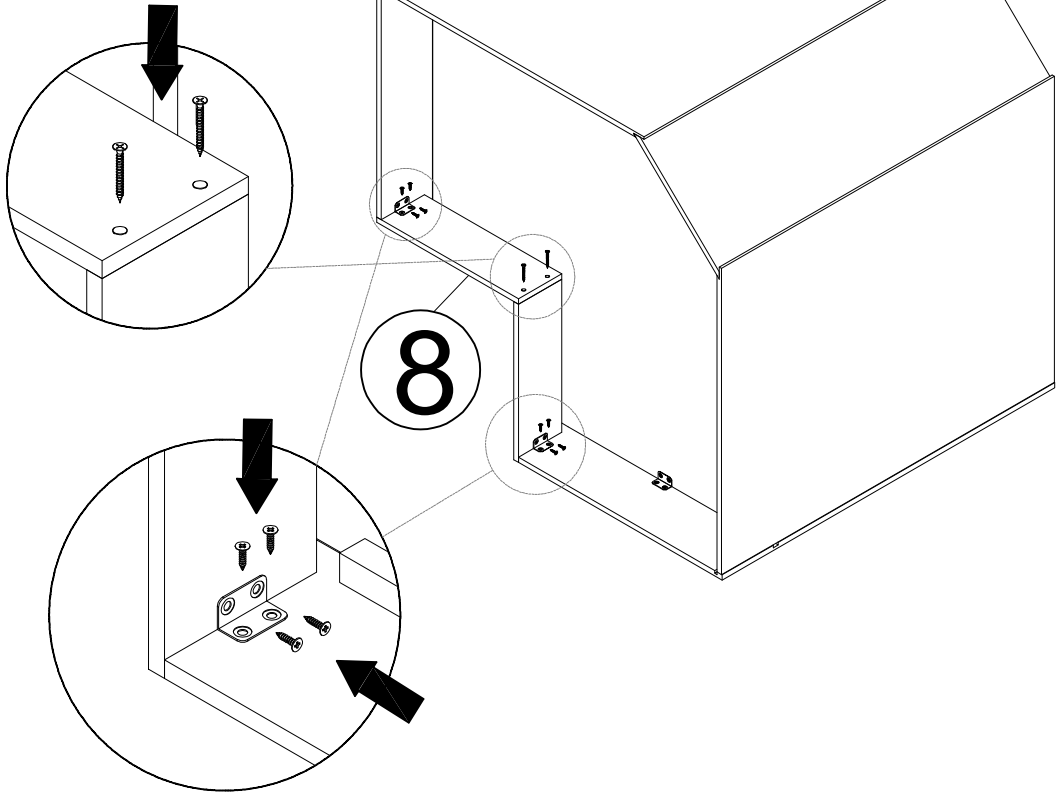
E x 4



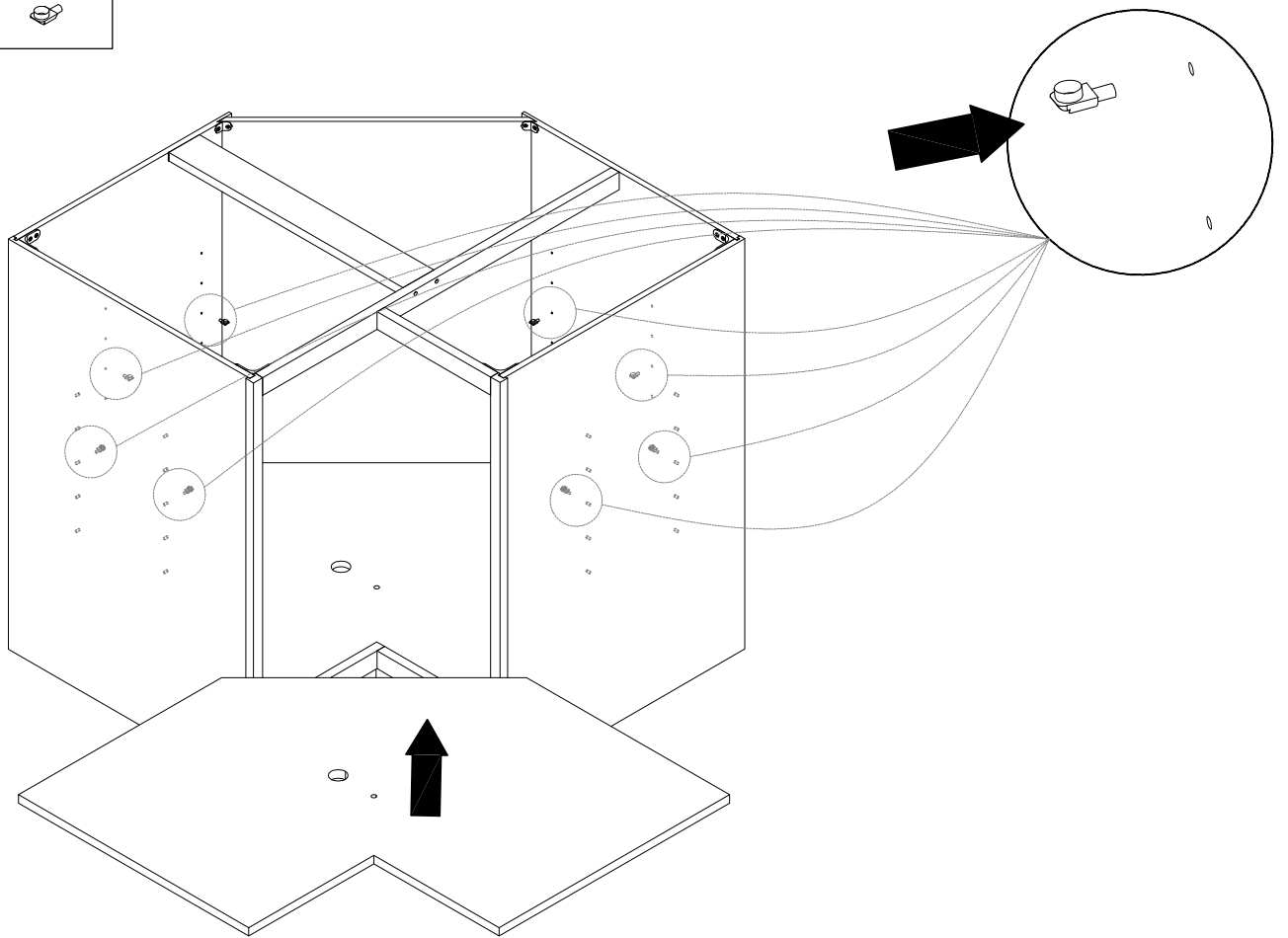
F x 8



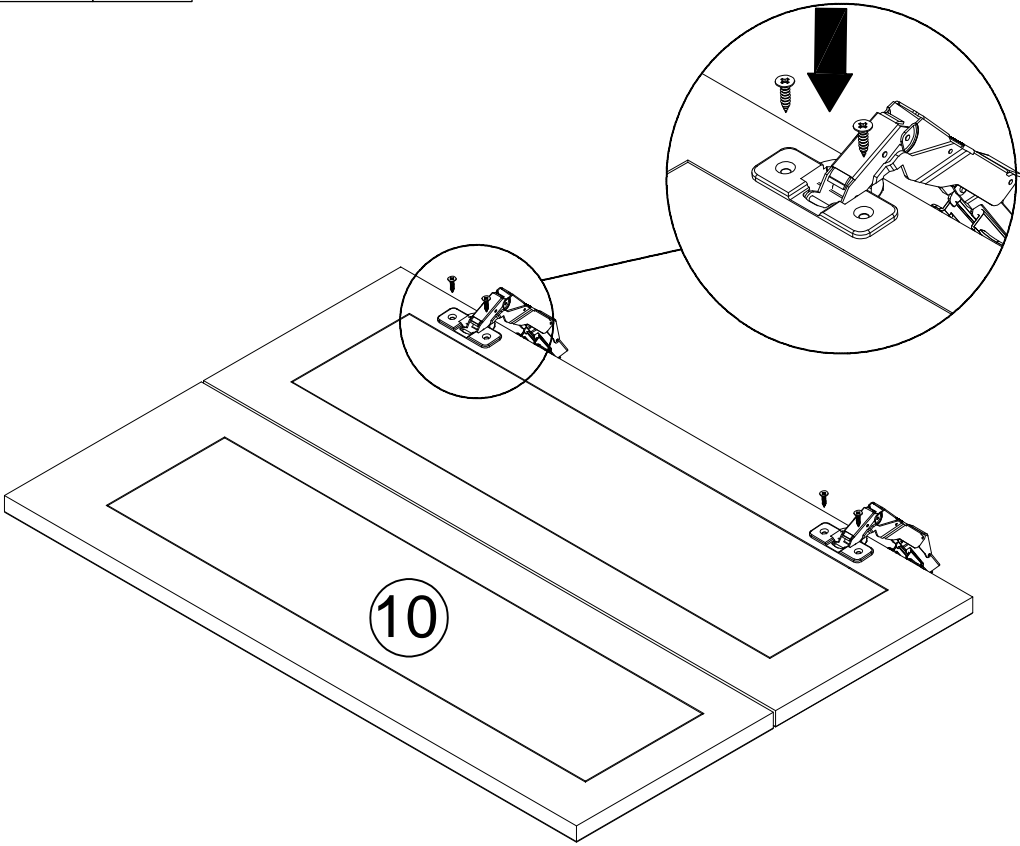
**STEP13**    E x 2    F x 8    G x 2



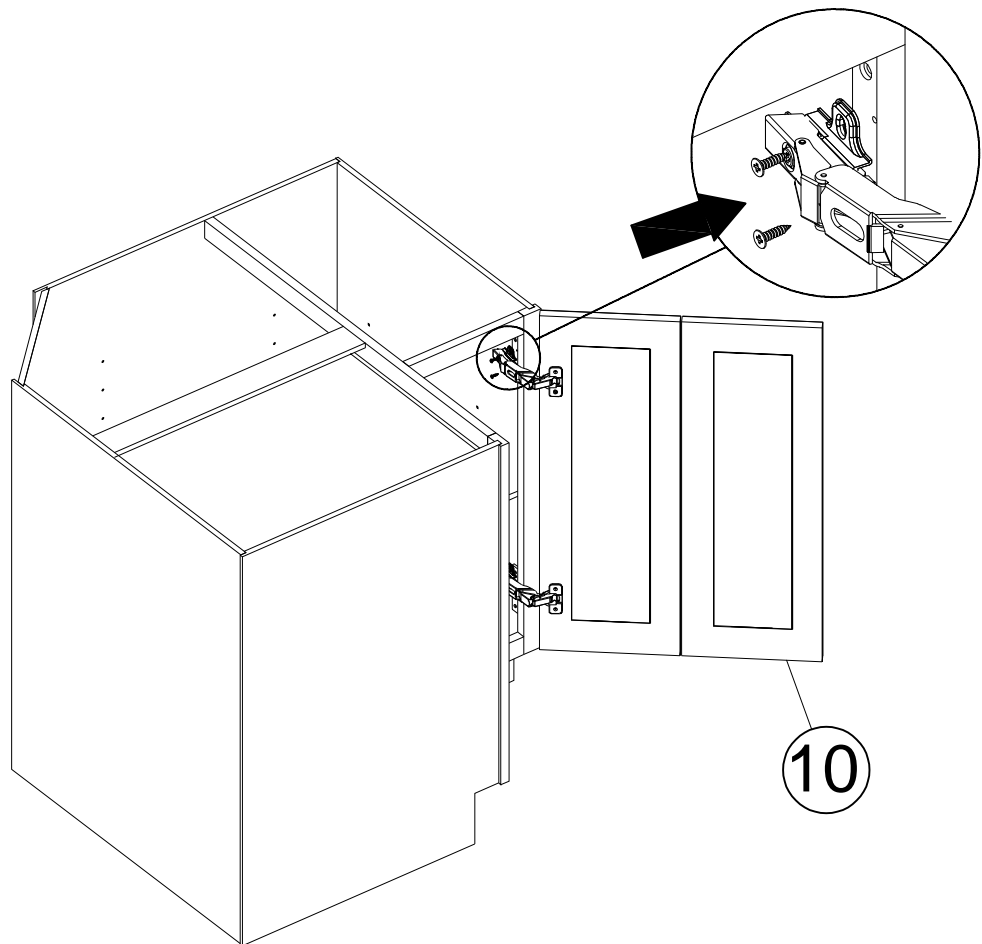
**STEP14**    D x 8



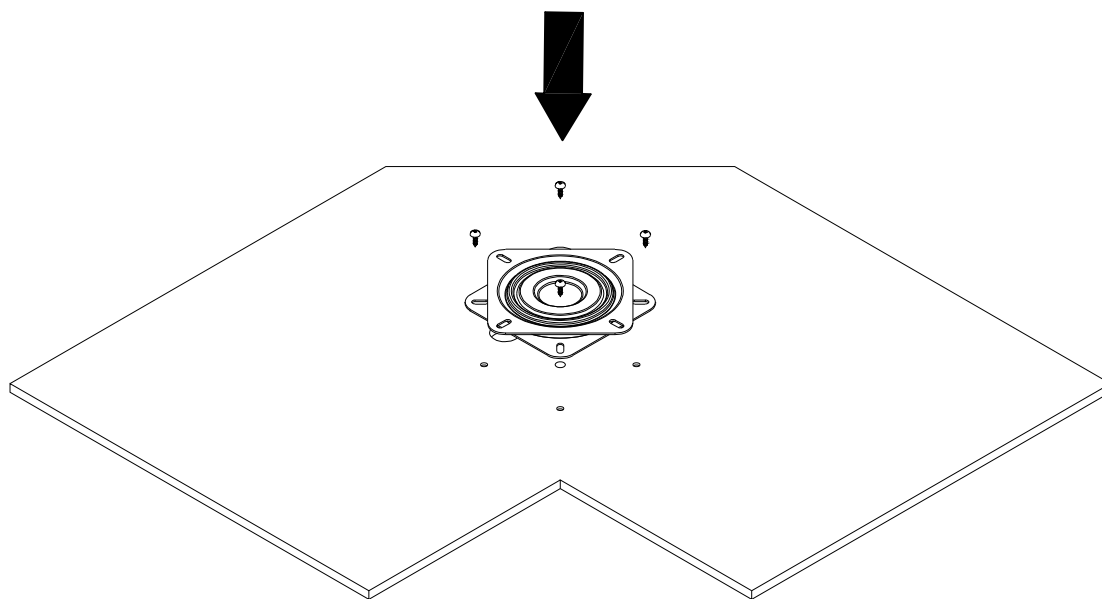
**STEP15** B x 2 K x 4



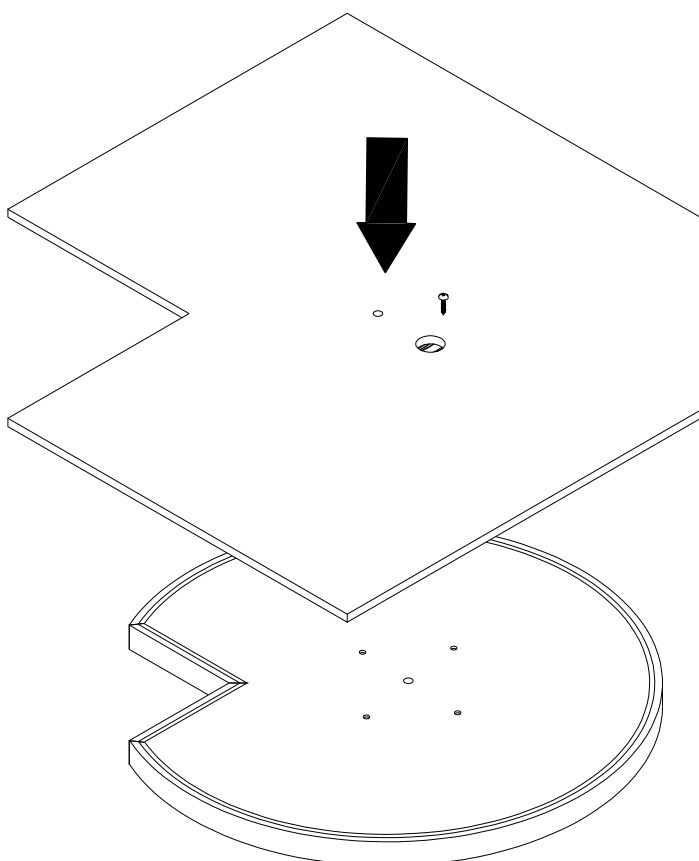
**STEP16** H x 4



STEP17



STEP18



STEP19

