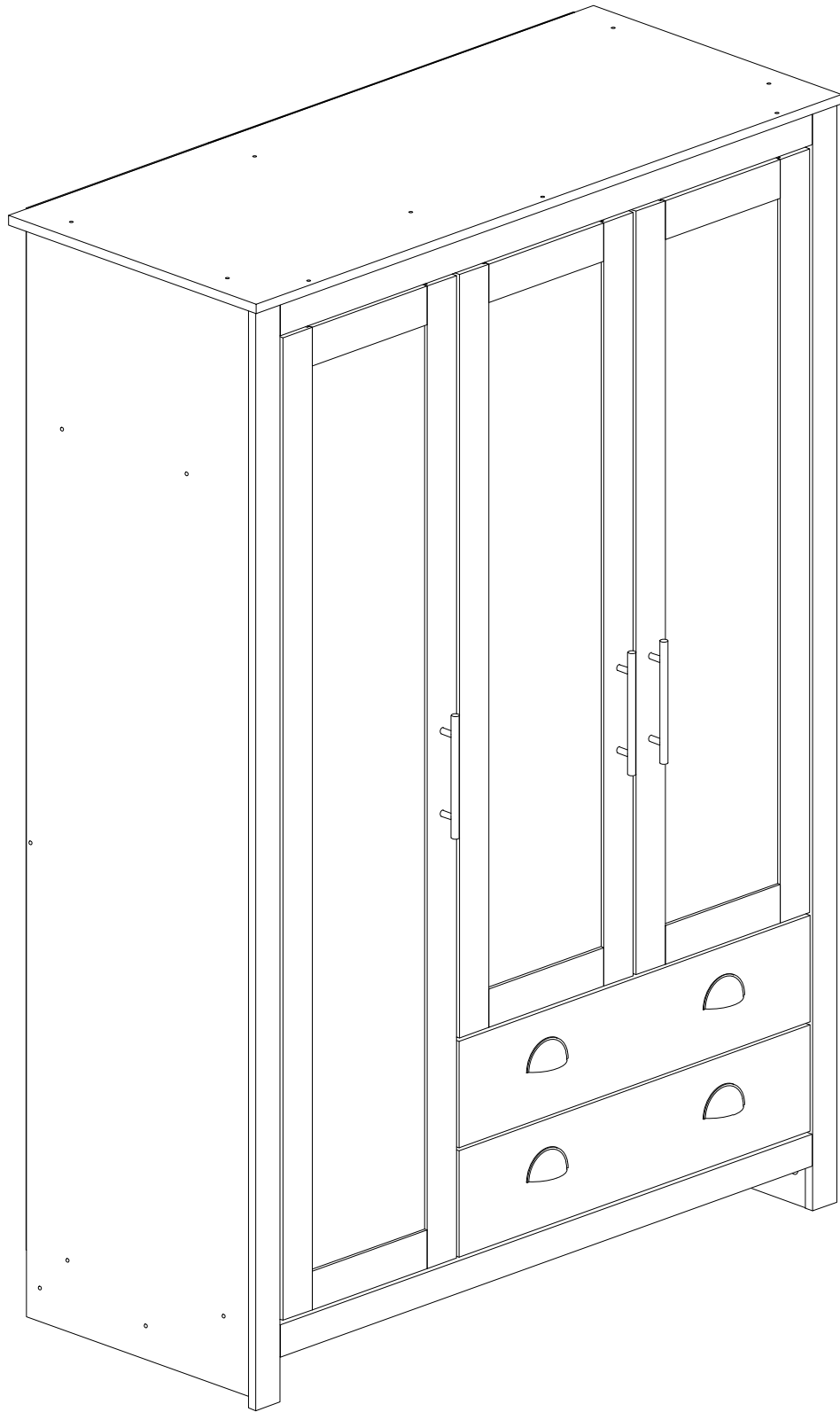
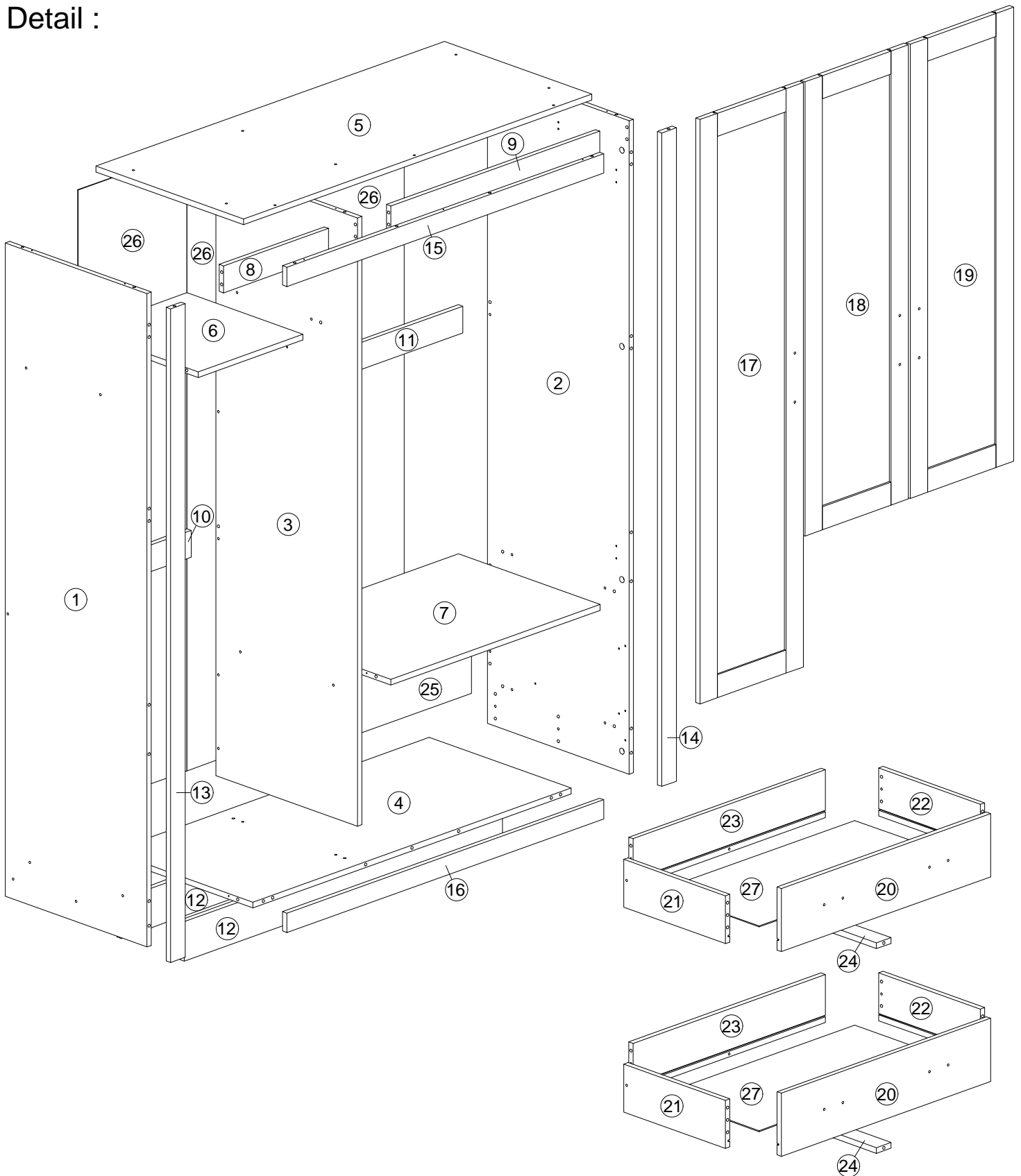


Assembly Instruction



Assembly Instruction

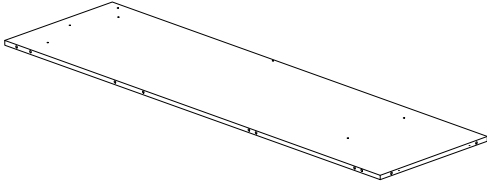
Detail :



Assembly Instruction

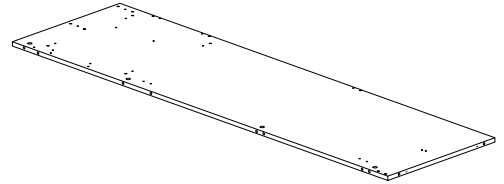
Part List

① X 1



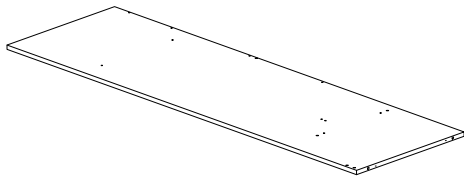
Side Panel Left

② X 1



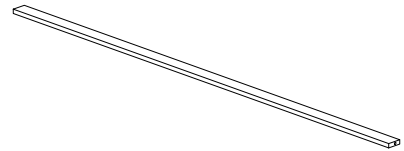
Side Panel Right

③ X 1



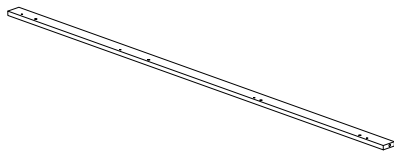
Center Panel

⑬ X 1



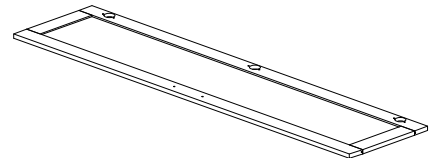
Side Panel Left Support

⑭ X 1



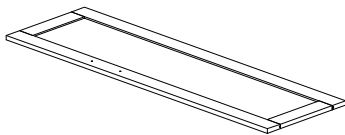
Side Panel Right Support

⑰ X 1



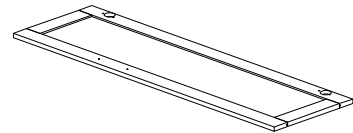
Door Panel Left Big

⑱ X 1



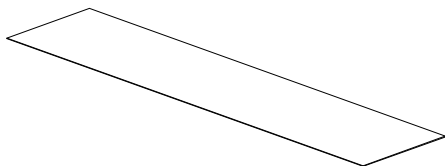
Door Panel Left Small

⑲ X 1



Door Panel Right Small

⑳ X 3

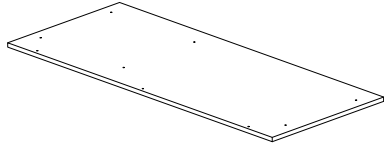


Back Panel

Assembly Instruction

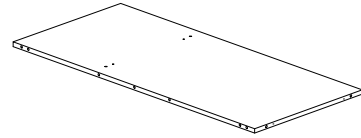
Part List

⑤ X 1



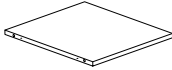
Top Panel

④ X 1



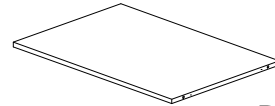
Bottom Panel

⑥ X 1



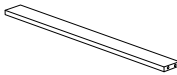
Partition Panel Left

⑦ X 1



Partition Panel Right

⑨ X 1



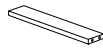
Top Support Panel Big

⑪ X 1



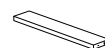
Back Support Panel Big

⑧ X 1



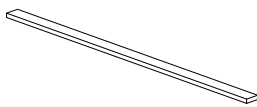
Top Support Panel Big

⑩ X 1



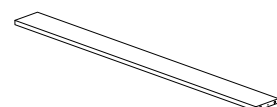
Back Support Panel Small

⑮ X 1



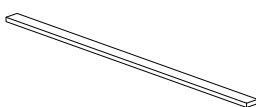
Top Front Support Panel

⑫ X 2



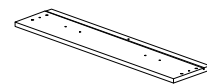
Bottom Support Panel

⑯ X 1



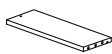
Bottom Front Support Panel

⑳ X 2



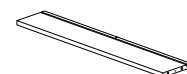
Drawer Front Panel

㉑ X 2



Drawer Side Panel Left

㉓ X 2



Drawer Back Panel

㉒ X 2



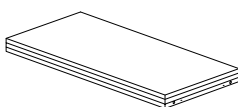
Drawer Side Panel Right

㉔ X 2



Drawer Support Panel

㉕ X 1



Back Panel Small

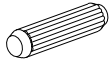
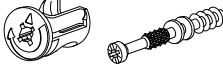
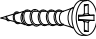

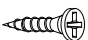


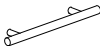



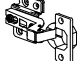
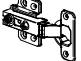
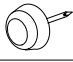

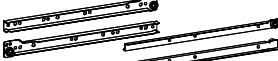



㉗ X 2







Drawer Bottom Panel

Assembly Instruction

Hardware List

No.	SHAPE	DESCRIPTION	Qty.
A		8x25mm Dowel (Wood)	82Pcs
B		15mm Myfix Minifix	17Sets
C		M3.5x16mm Screw	66Pcs
D		M4x45mm Screw	41Pcs
E		M3.5x12mm Screw	12Pcs
F		V Bracket	4Pcs
G		Handle JD 2789	4Pcs
H		Handle 12x128	3Pcs
I		M4x28mm Screw	6Pcs
J		M4x22mm Handle Screw	8Pcs
K		L Bracket 2Hole 1.0mm RB	2Pcs
L		Hinges 7/8	5Pcs
M		Hinges 2/8	2Pcs
N		5/8 Nail With Pin	6Pcs
O		6/8 Power Pin	50Pcs
P		Drawer Slide (350mm)	2Sets
Q		Aluminium Pipe(354mm)	1Pc
R		Aluminium Pipe(713mm)	1Pc
S		Sticker	16Pcs

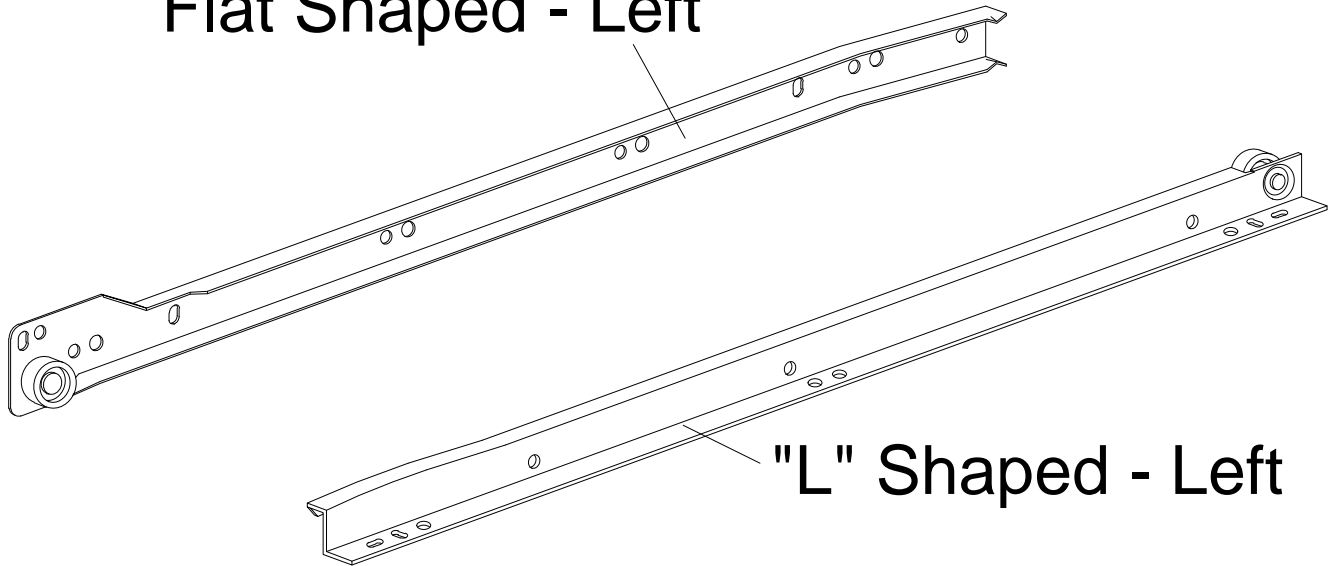
Anti Tipping Hardware (WF325858)

No.	SHAPE	DESCRIPTION	Qty.
a		Mounting Bracket	2Pcs
b		TP 6# x 5/8" Screw	1Pc
c		TP 8# x 2" Screw	1Pc
d		Restraint Strap	1Pc

Assembly Instruction

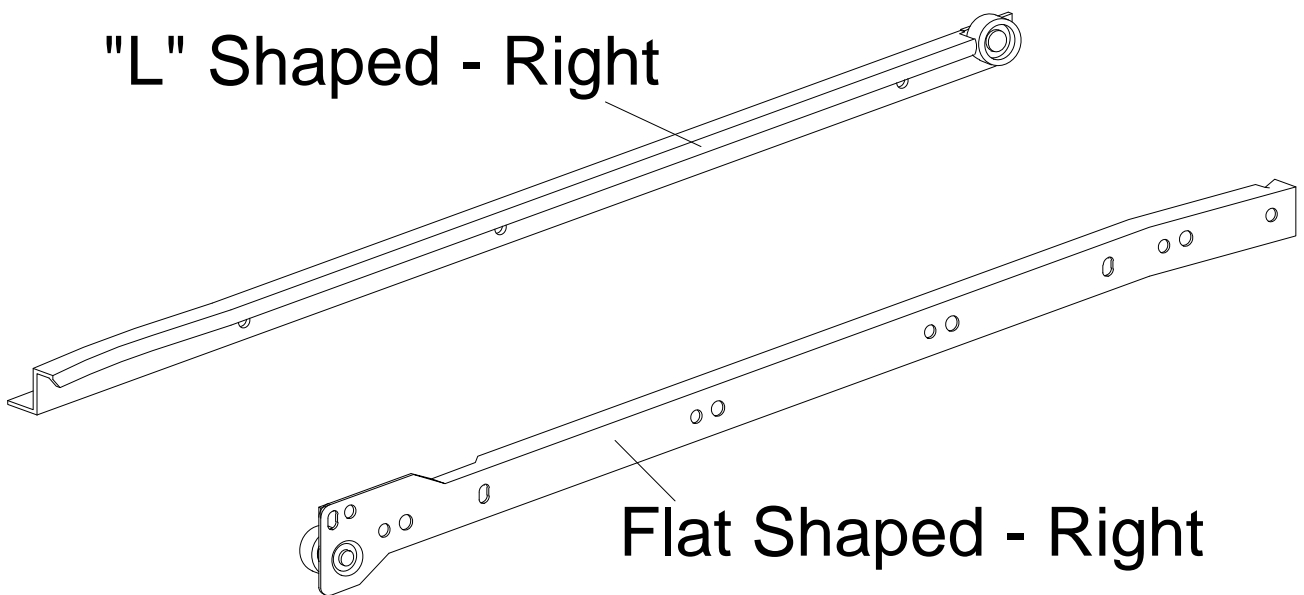
Left Drawer Silde (P)

Flat Shaped - Left



Right Drawer Silde (P)

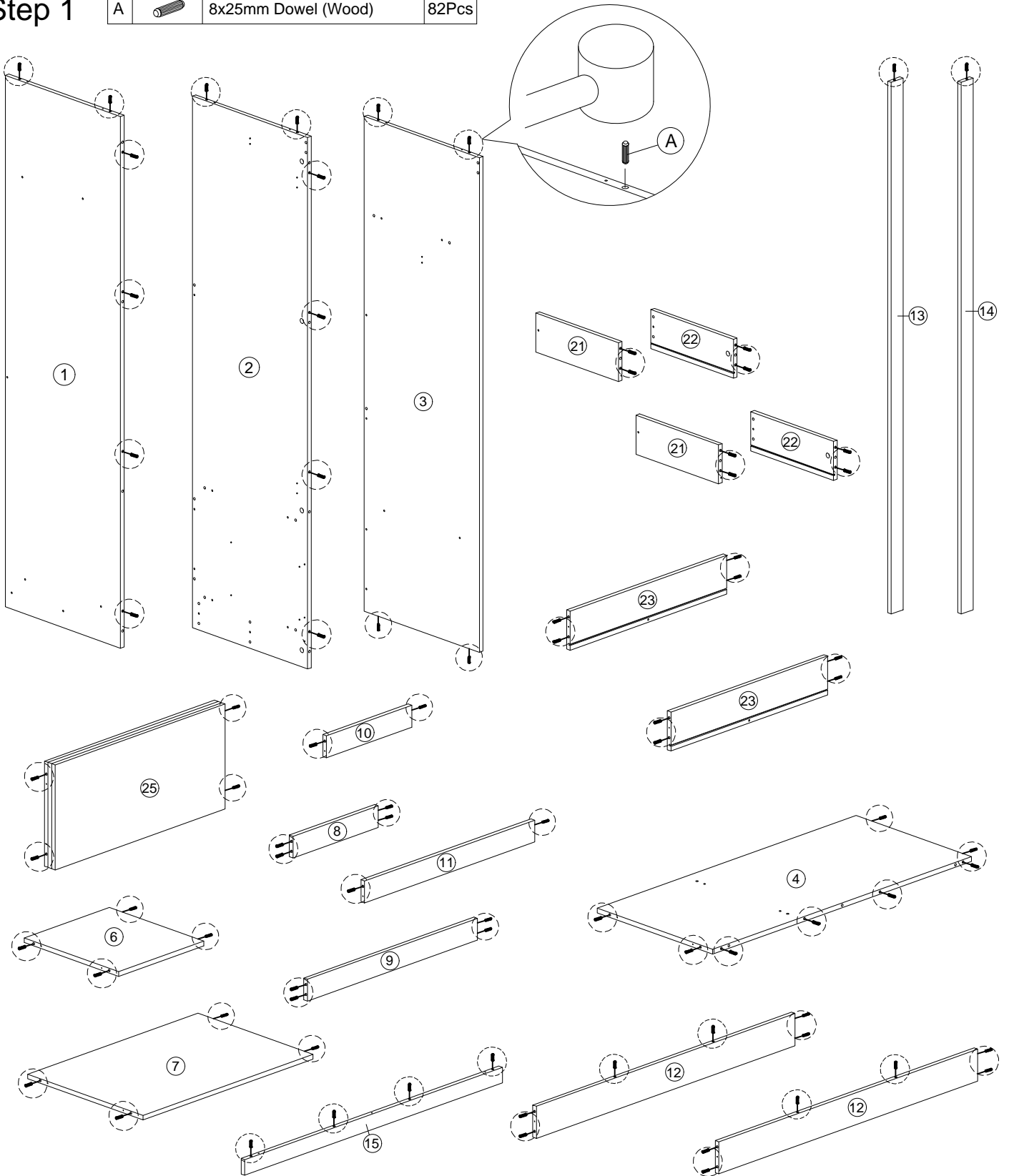
"L" Shaped - Right



Assembly Instruction

Step 1

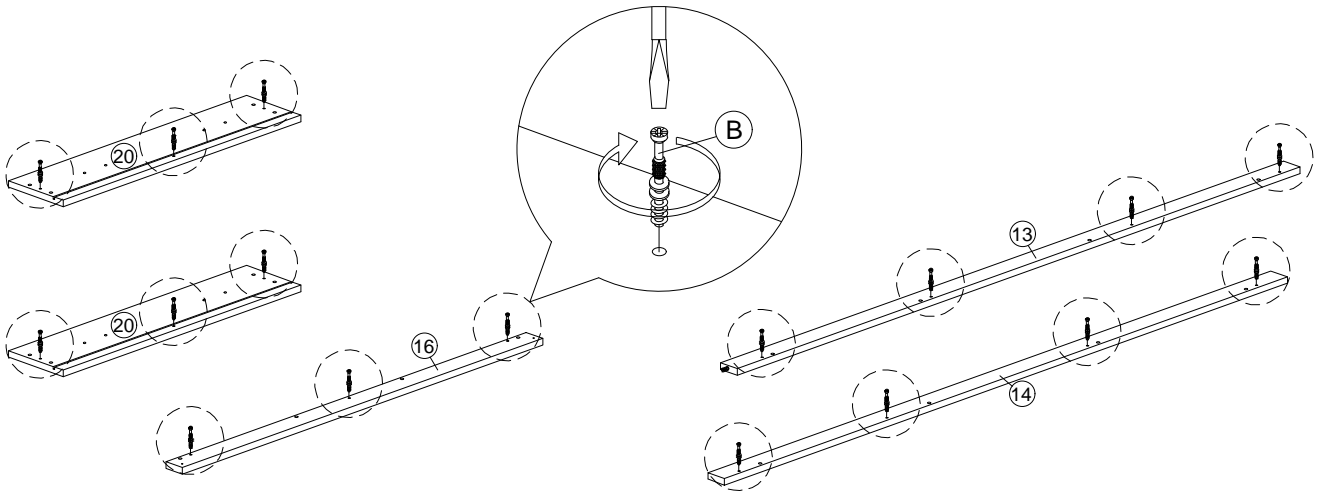
A		8x25mm Dowel (Wood)	82Pcs
---	---	---------------------	-------




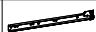
Assembly Instruction


Step 2

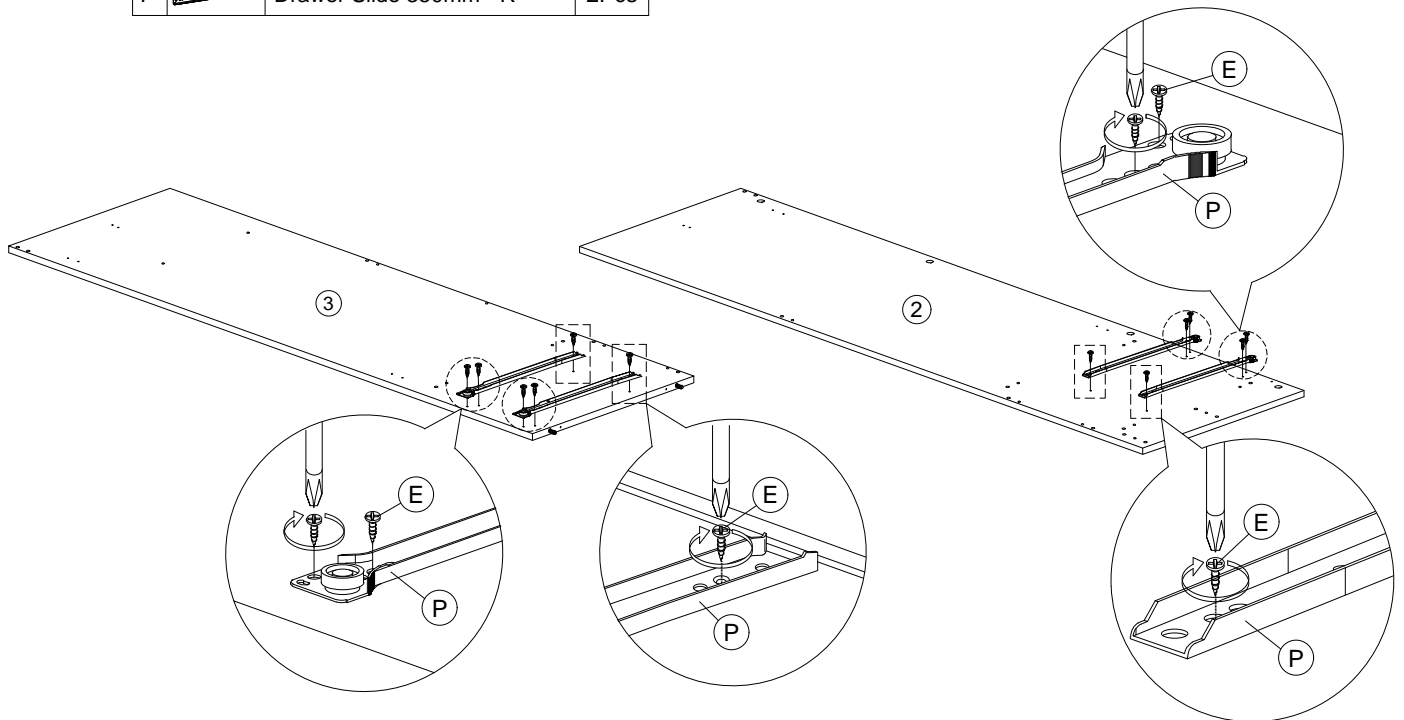
B		Myfix	17Pcs
---	---	-------	-------



Step 3

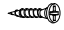

E		M3.5x12mm Screw	12Pcs
P		Drawer Slide 350mm - R	2Pcs

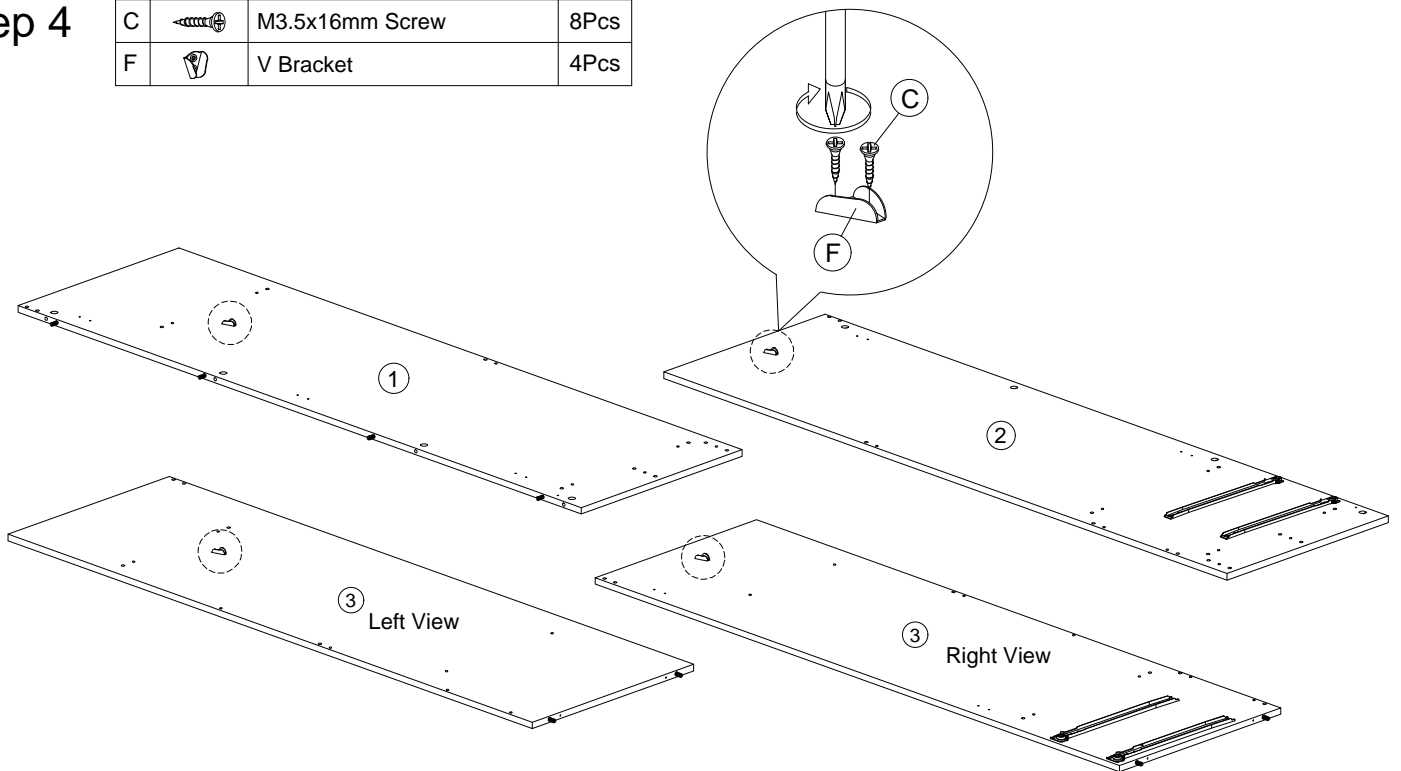
P		Drawer Slide 350mm - L	2Pcs
---	---	------------------------	------




Assembly Instruction

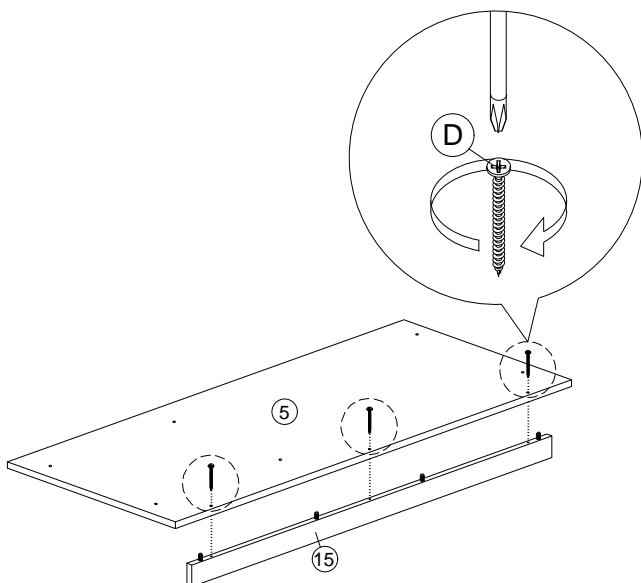
Step 4

C		M3.5x16mm Screw	8Pcs
F		V Bracket	4Pcs



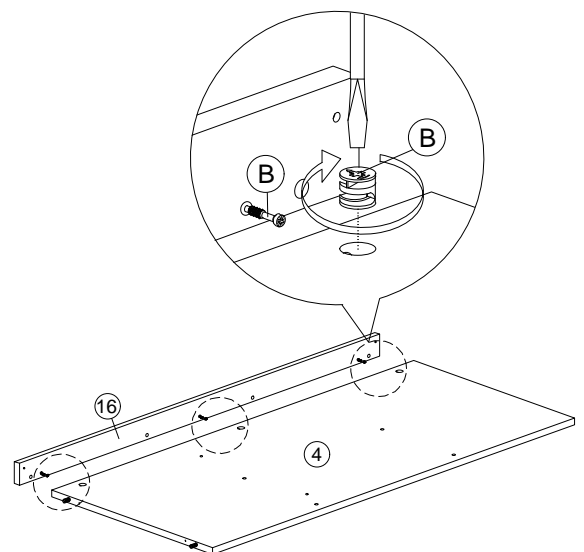
Step 5

D		M4x45mm Screw	3Pcs
---	---	---------------	------



Step 6

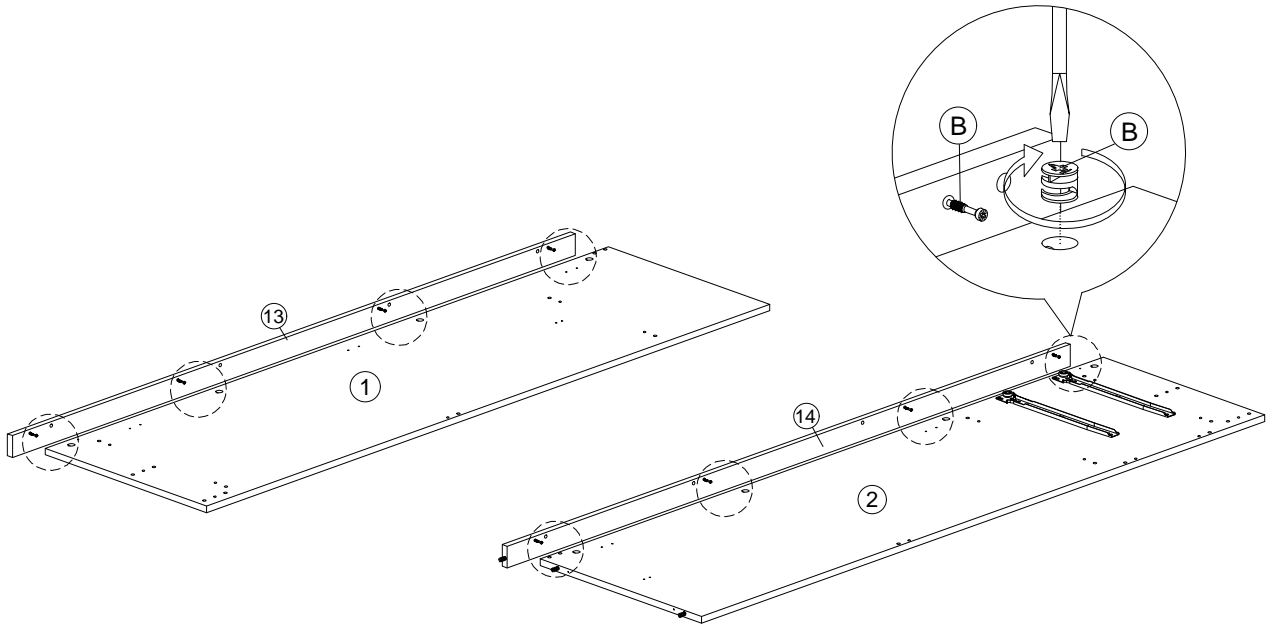
B		Minifix	3Pcs
---	---	---------	------




Assembly Instruction

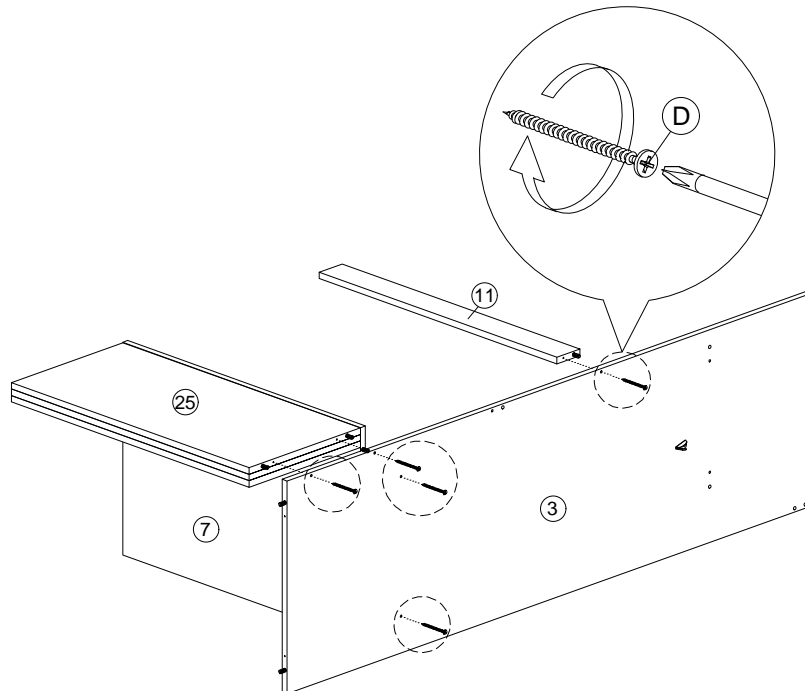
Step 7

B		Minifix	8Pcs
---	---	---------	------




Step 8

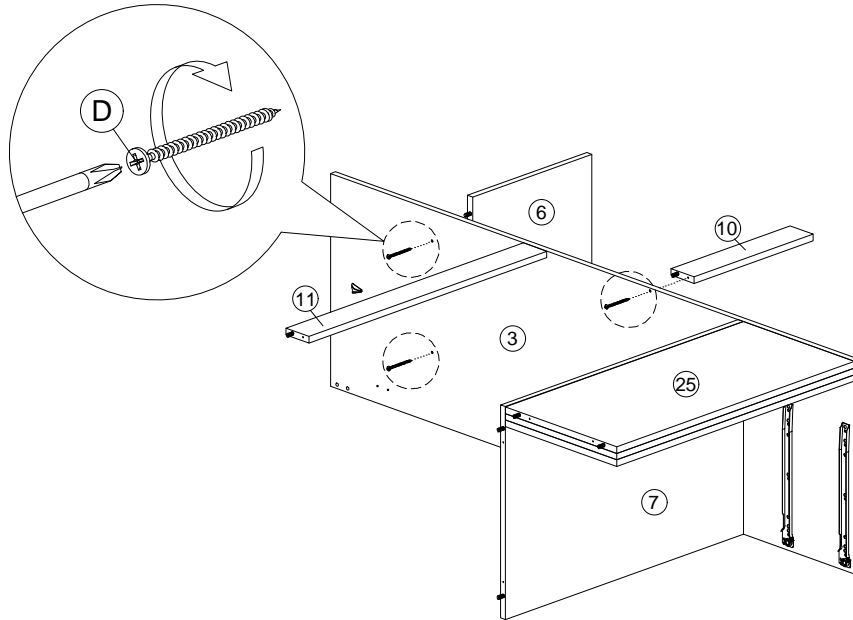
D		M4x45mm Screw	5Pcs
---	---	---------------	------




Assembly Instruction

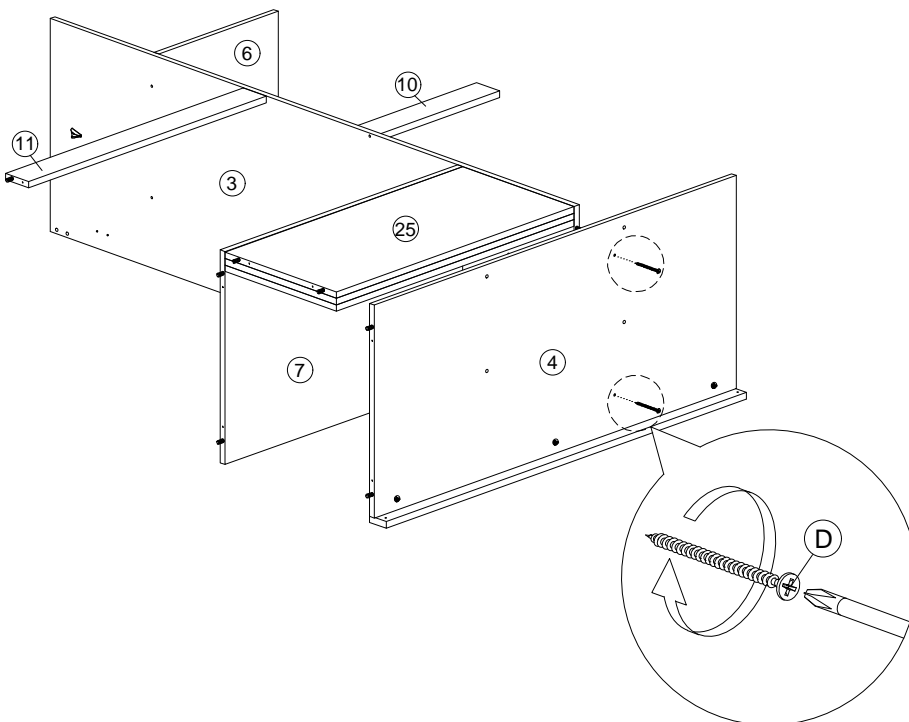
Step 9

D		M4x45mm Screw	3Pcs
---	---	---------------	------



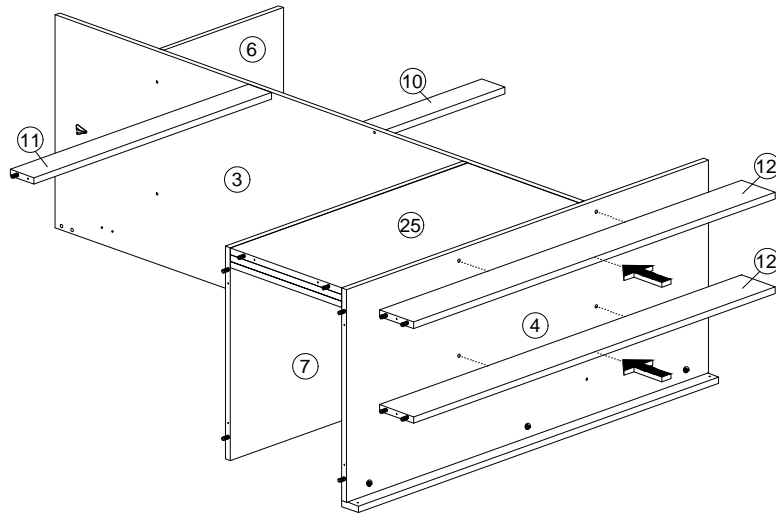
Step 10

D		M4x45mm Screw	2Pcs
---	---	---------------	------




Assembly Instruction

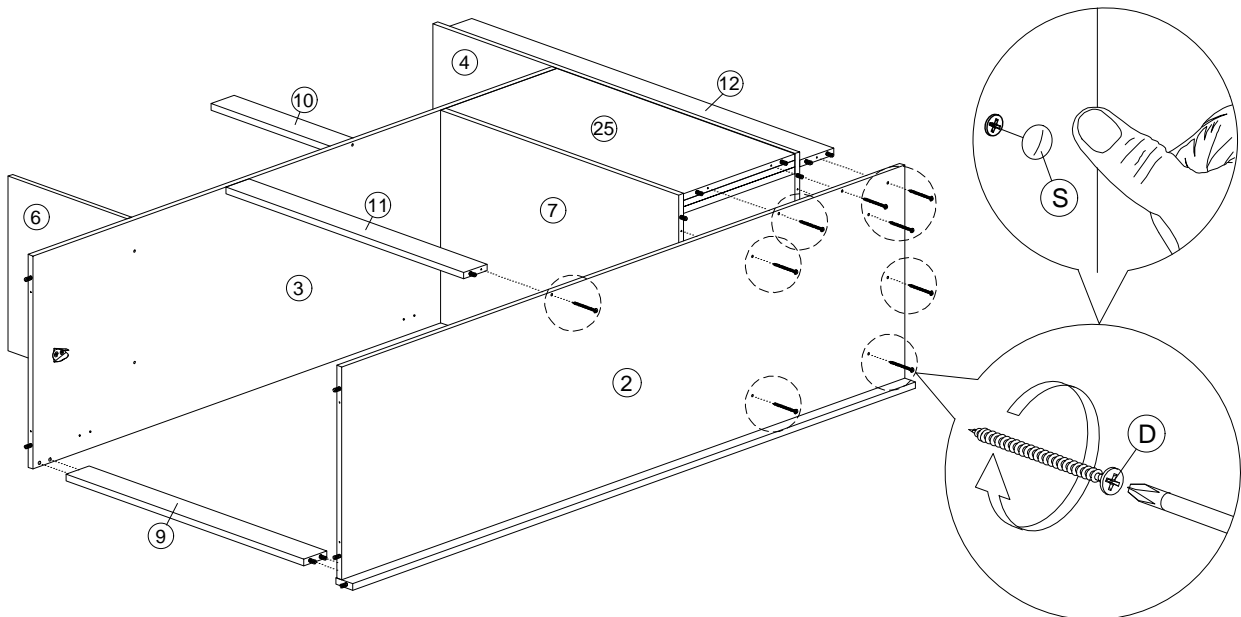
Step 11



Step 12


D  M4x45mm Screw 9Pcs

S  Sticker 9Pcs

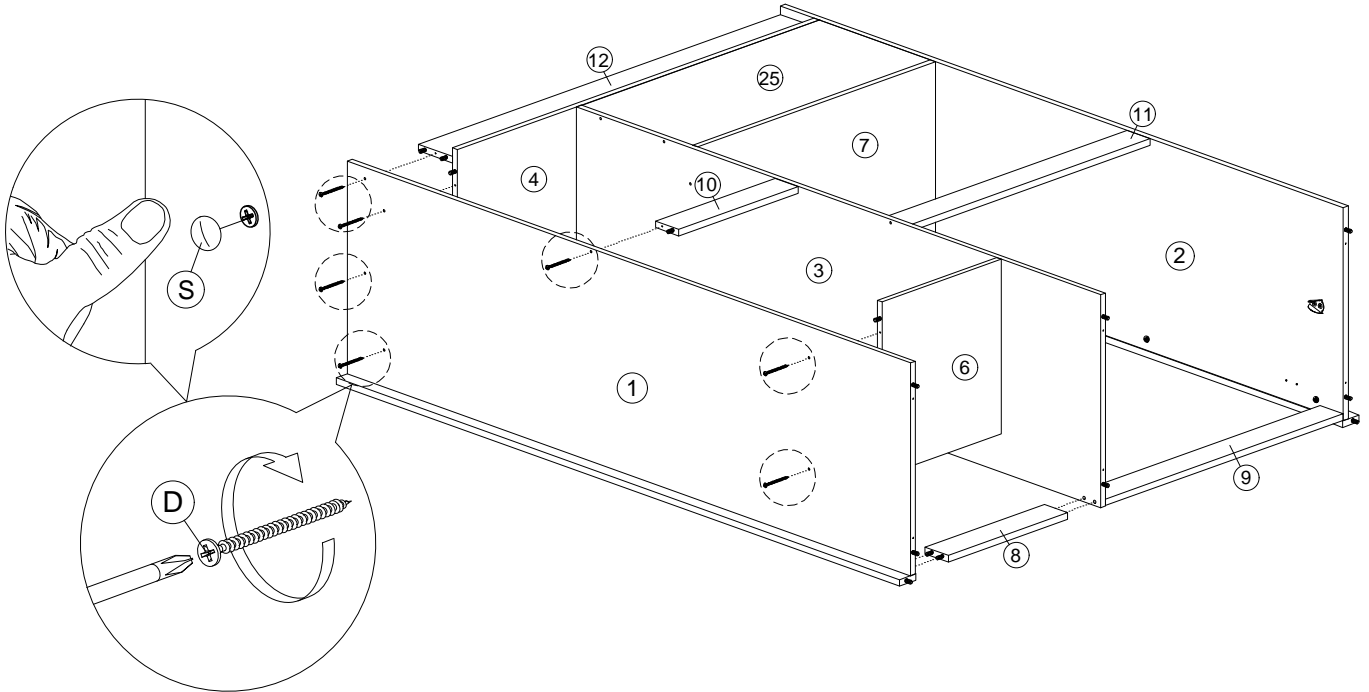


Assembly Instruction


Step 13

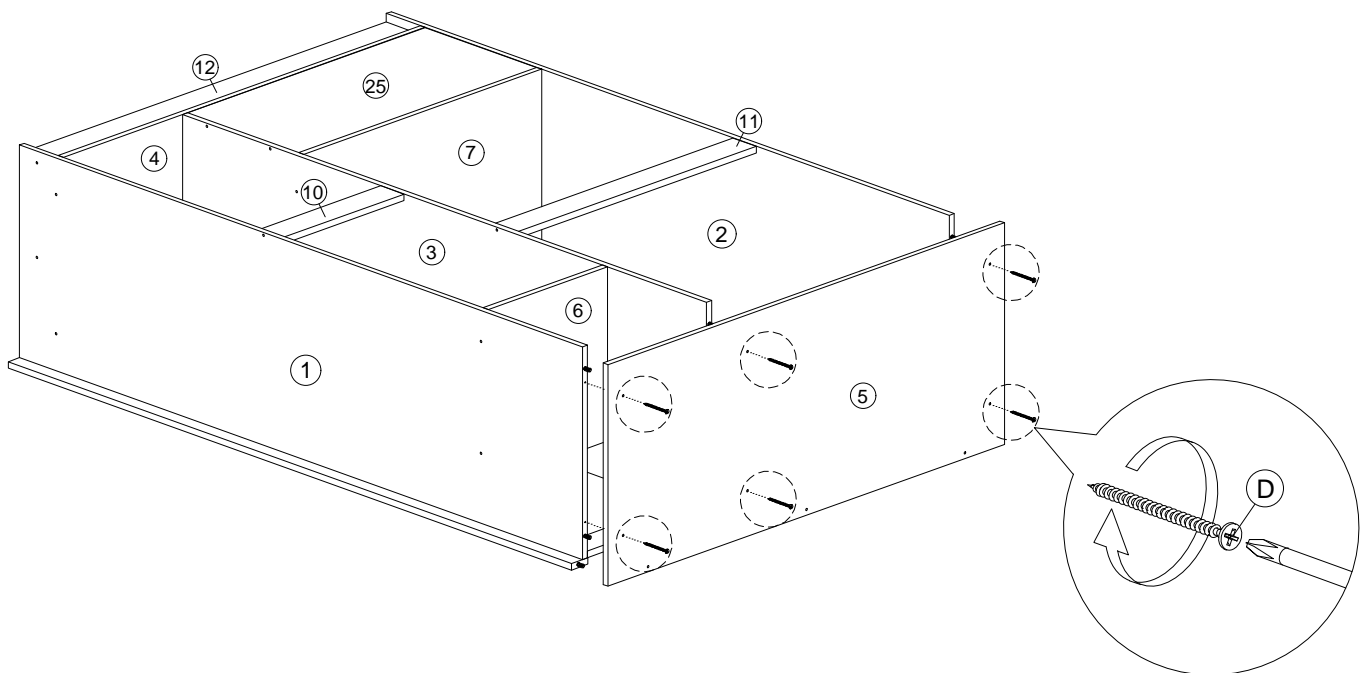
D  M4x45mm Screw 7Pcs

S  Sticker 7Pcs





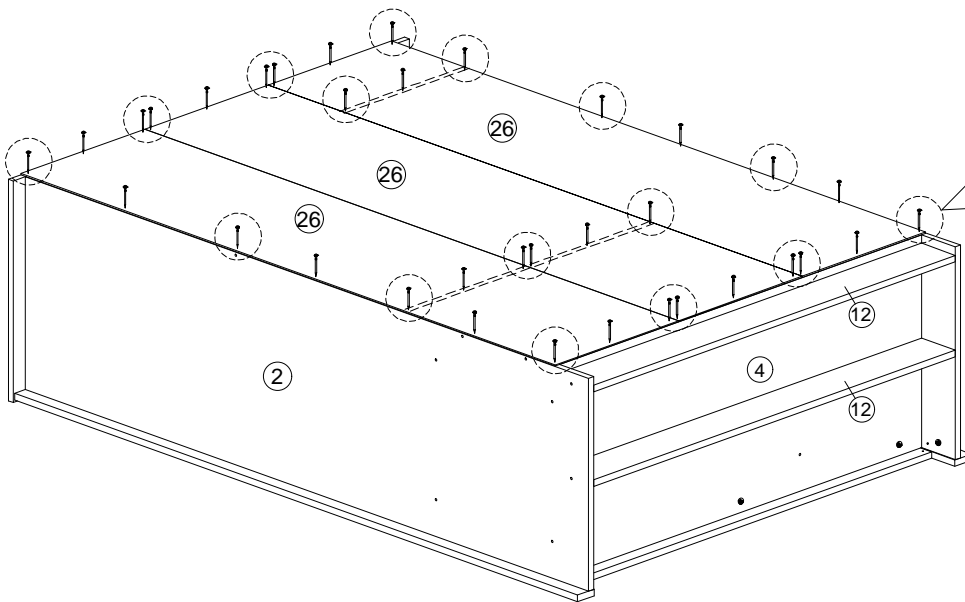
Step 14



D  M4x45mm Screw 6Pcs

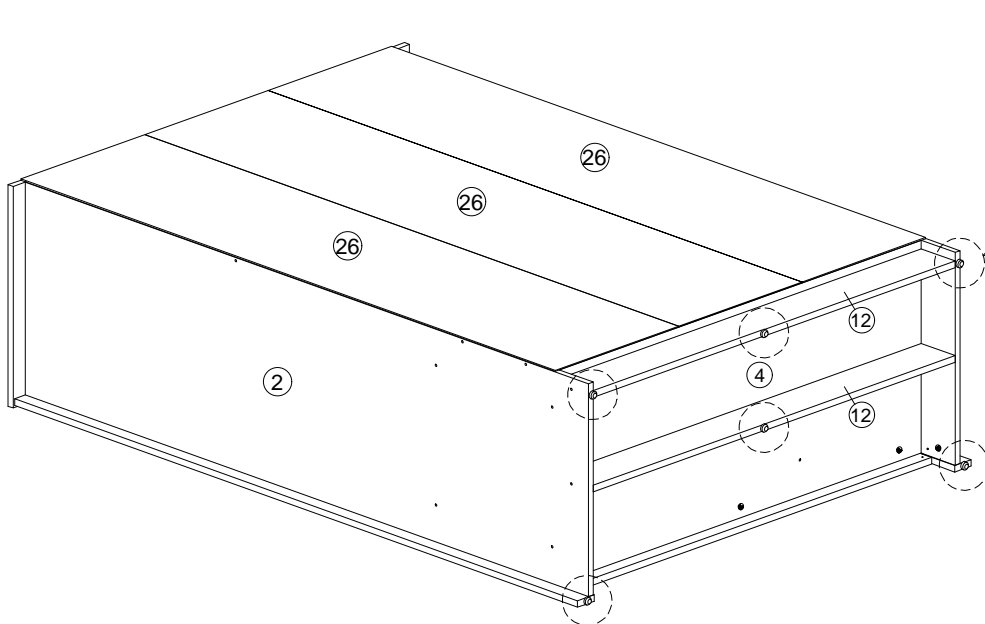


Assembly Instruction

Step 15   6/8 Power Pin 50Pcs



Step 16   5/8 Nail With Pin 6Pcs



Assembly Instruction

Step 17

C



M3.5x16mm Screw

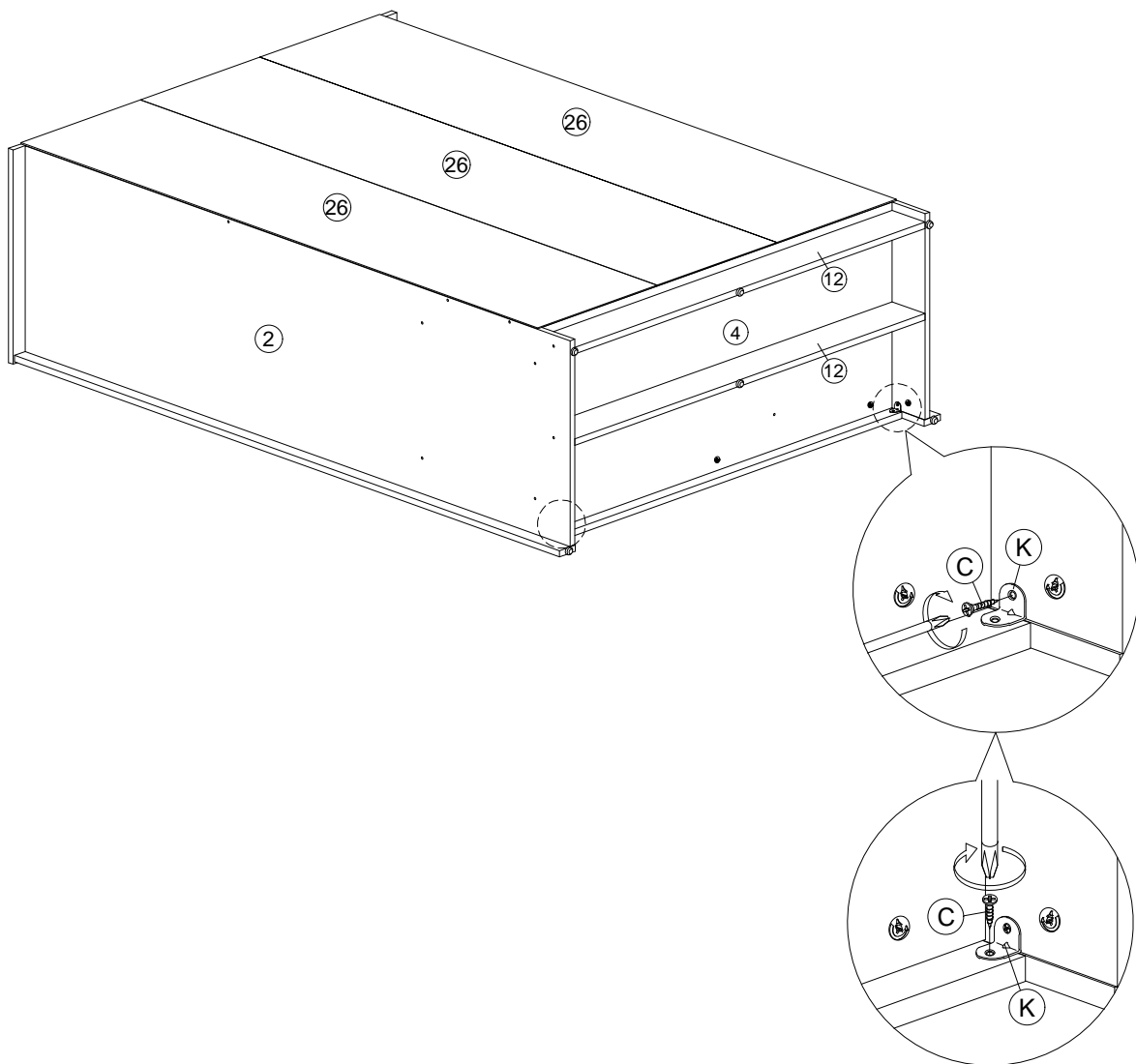
4Pcs

K




L Bracket 2Hole 1.0mm RB


2Pcs

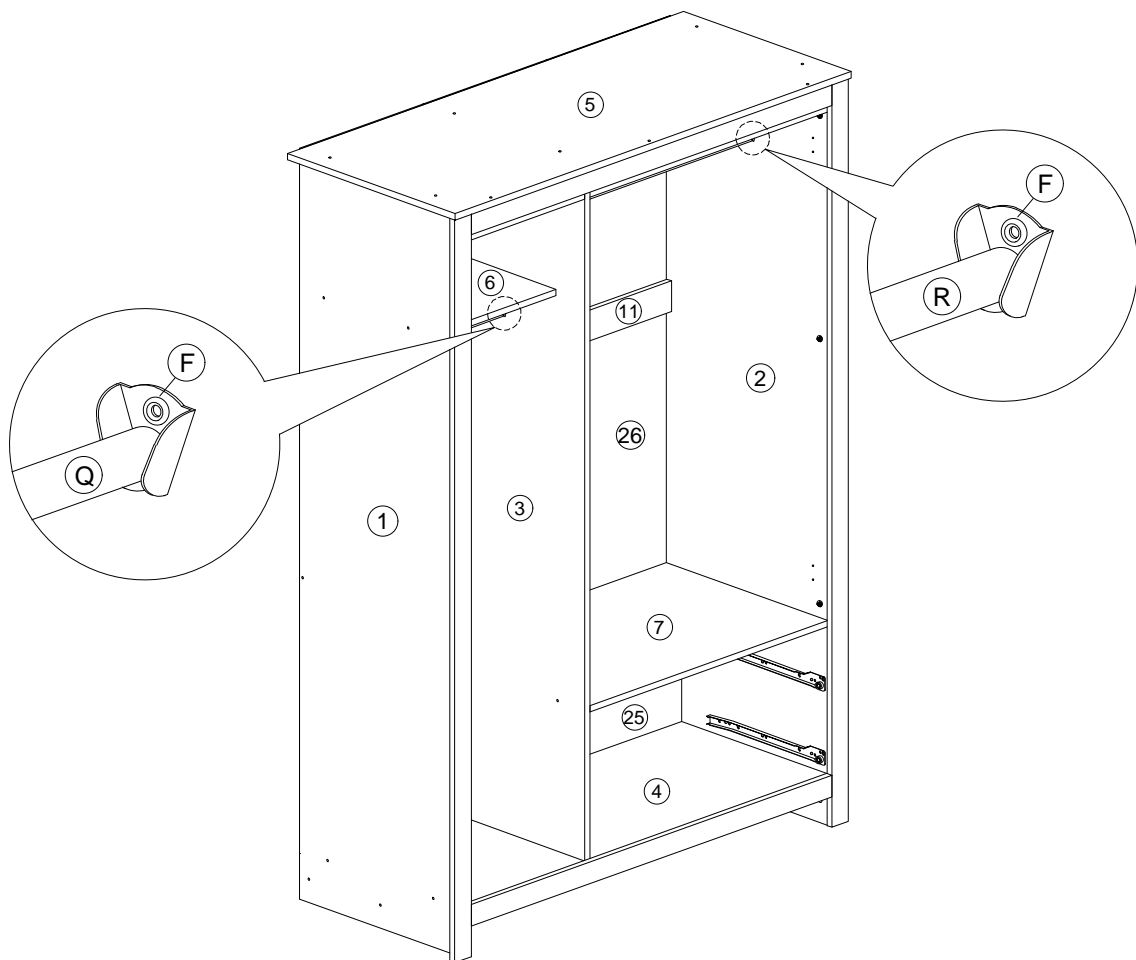


Assembly Instruction

Step 18

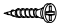
Q  Aluminium Pipe 354mm 1Pc

R  Aluminium Pipe 713mm 1Pc

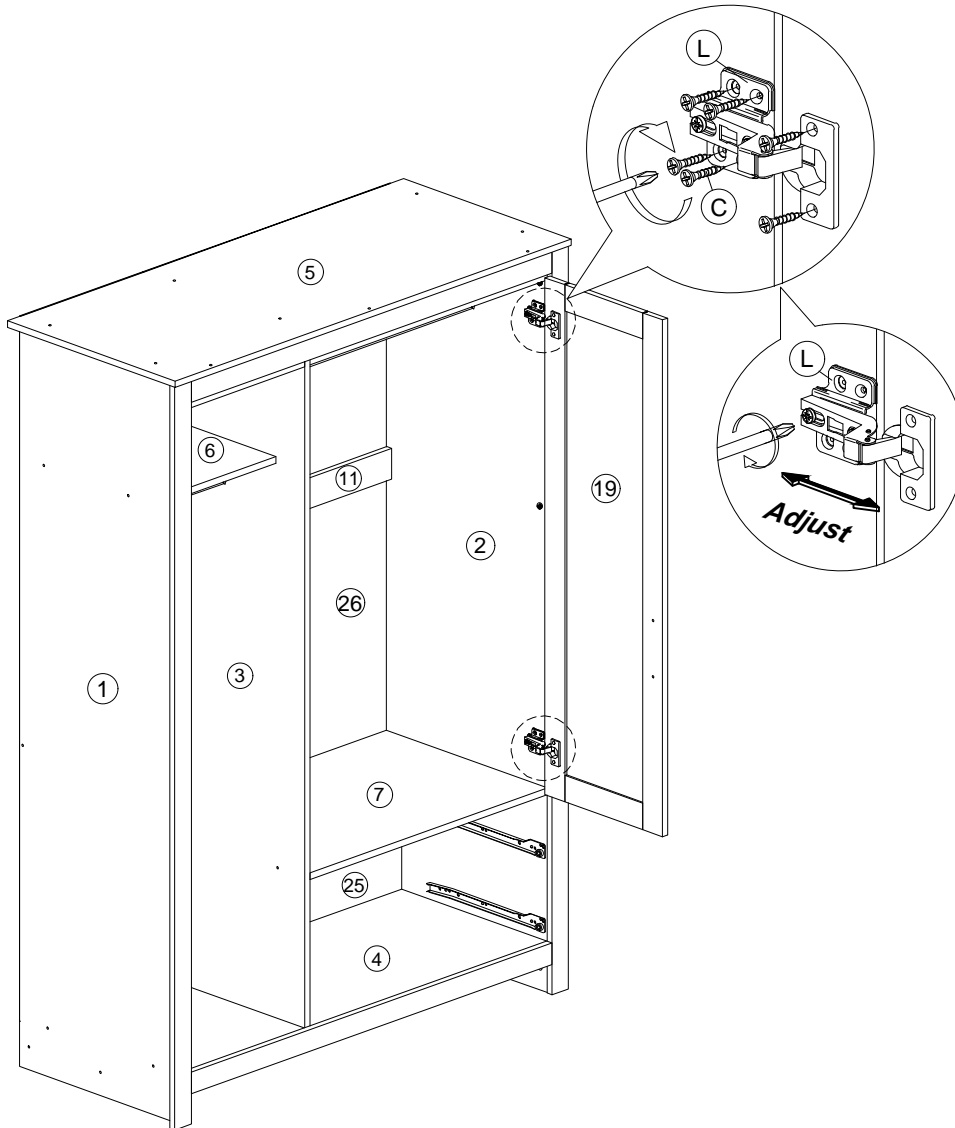


Assembly Instruction

Step 19

C  M3.5x16mm Screw 12Pcs

L  Hinges 7/8 2Pcs



Assembly Instruction

Step 20

H



Handle 12 x 128

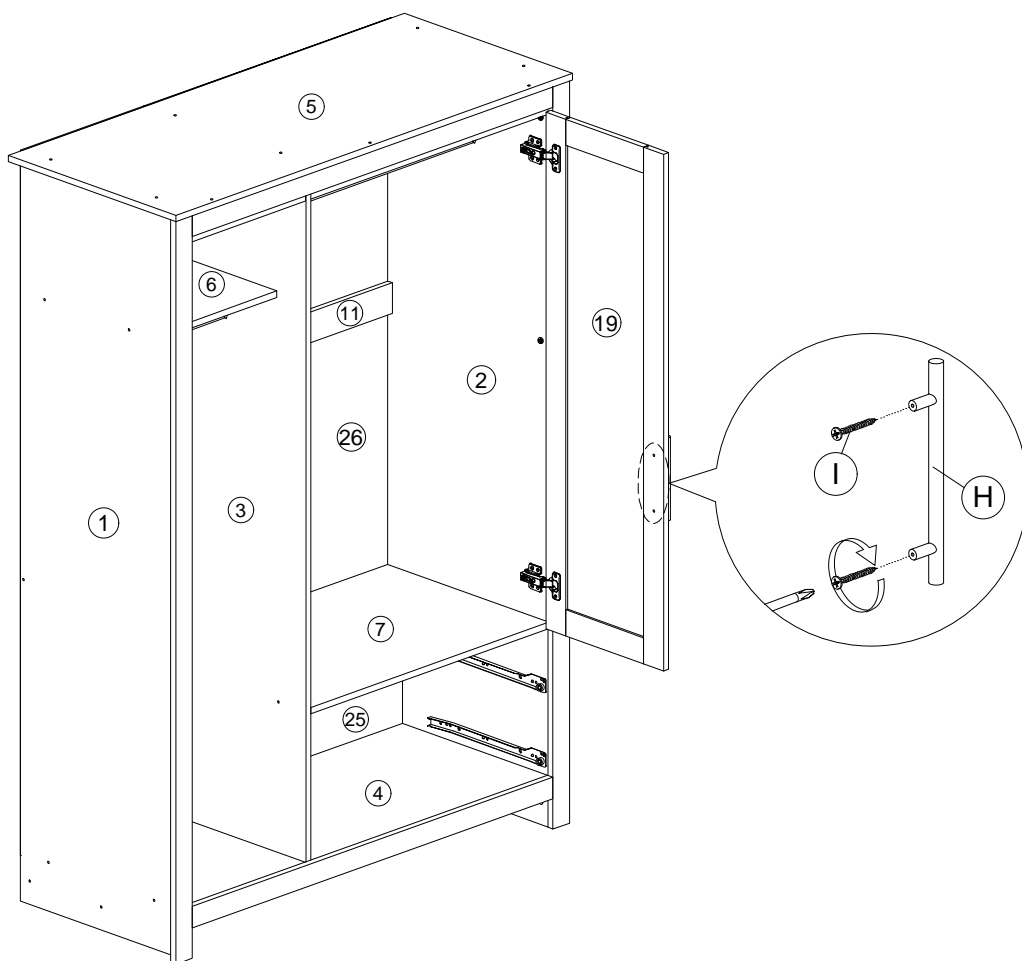
1Pc

I





M4x28mm Screw

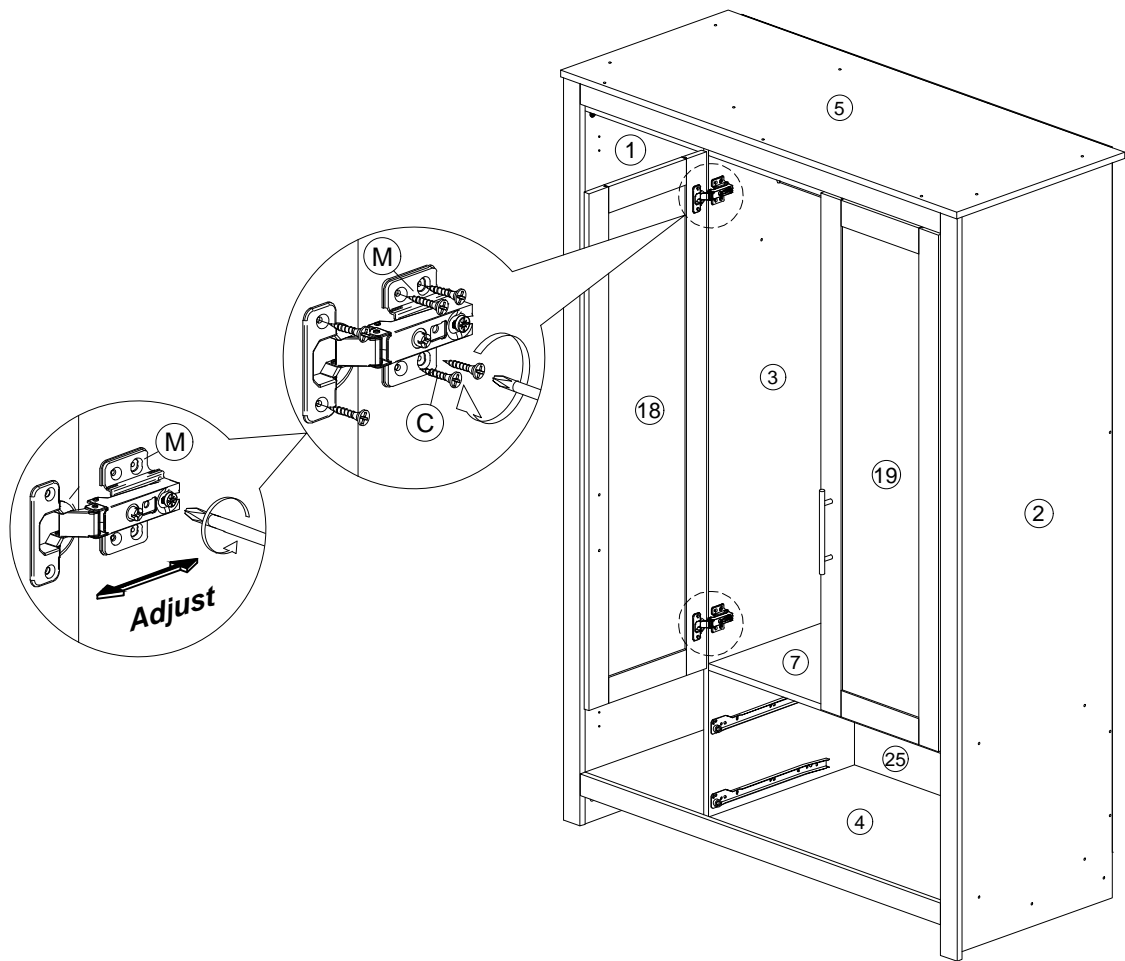
2Pcs



Assembly Instruction

Step 21 C  M3.5x16mm Screw 12Pcs

M  Hinges 2/8 2Pcs



Assembly Instruction

Step 22

H



Handle 12 x 128

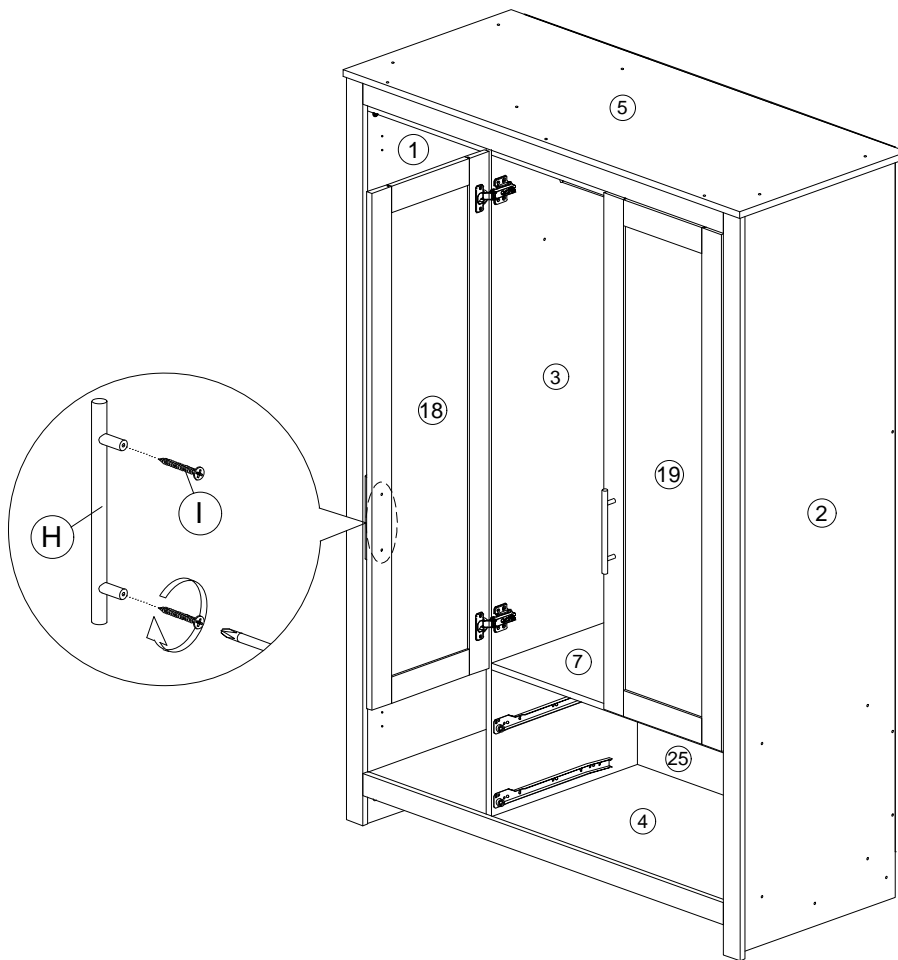
1Pc

I



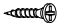
M4x28mm Screw


2Pcs

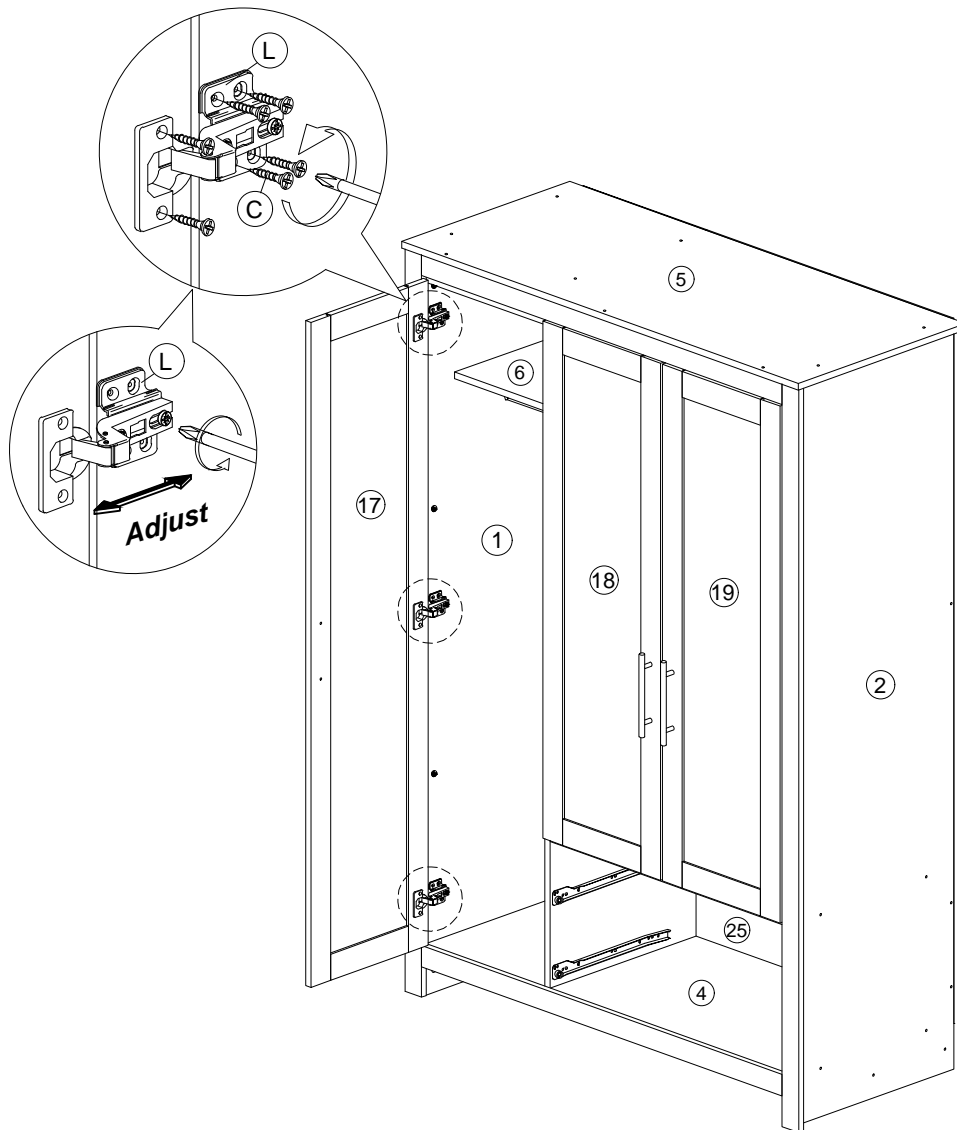


Assembly Instruction

Step 23

C  M3.5x16mm Screw 18Pcs

L  Hinges 7/8 3Pcs



Assembly Instruction

Step 24

H



Handle 12 x 128

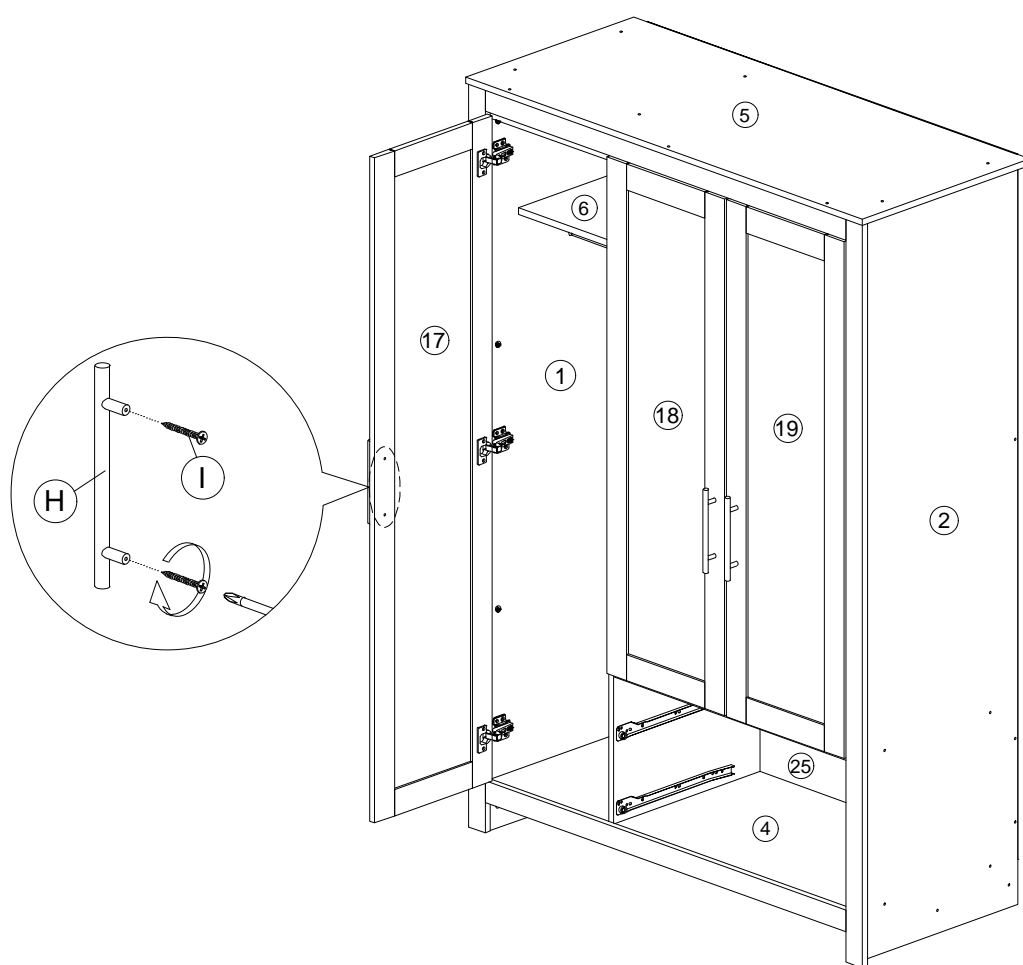
1Pc

I




M4x28mm Screw

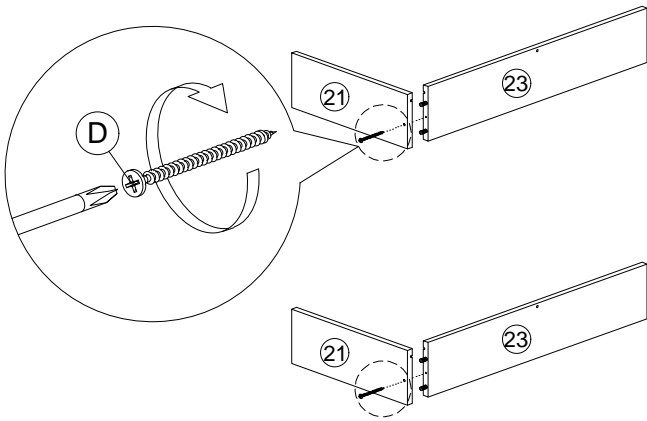
2Pcs




Assembly Instruction

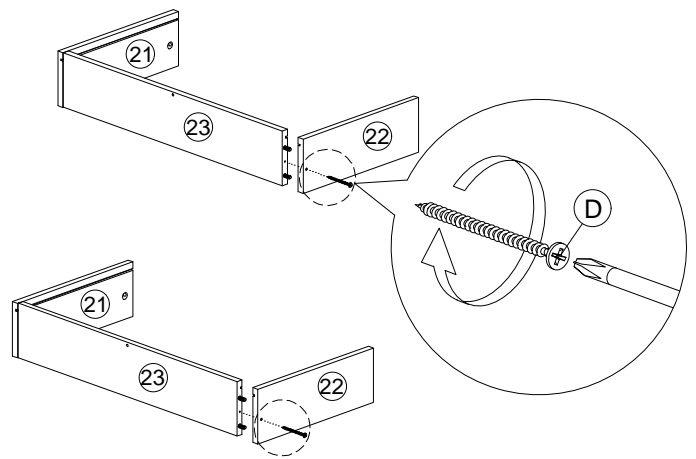
Step 25

D		M4x45mm Screw	2Pcs
---	---	---------------	------




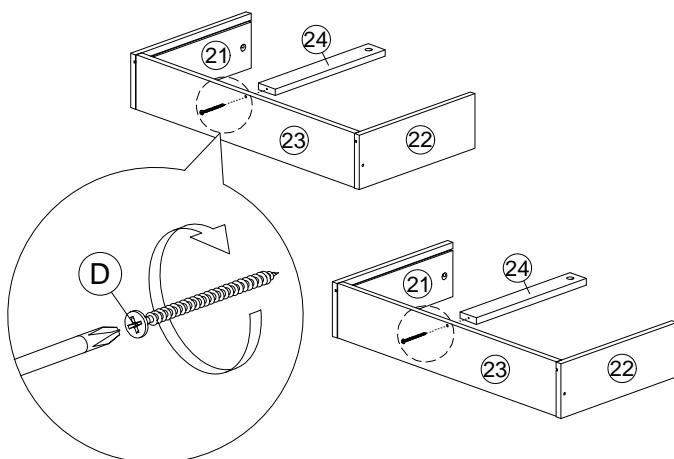
Step 26

D		M4x45mm Screw	2Pcs
---	---	---------------	------

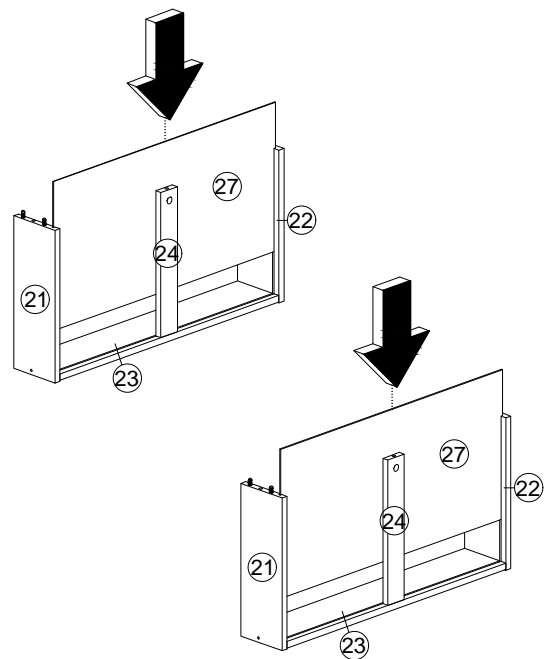


Step 27

D		M4x45mm Screw	2Pcs
---	---	---------------	------



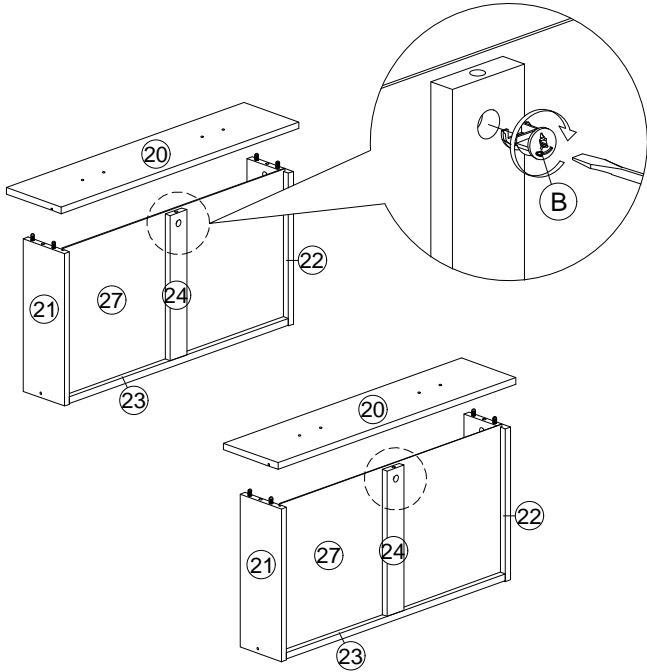
Step 28



Assembly Instruction

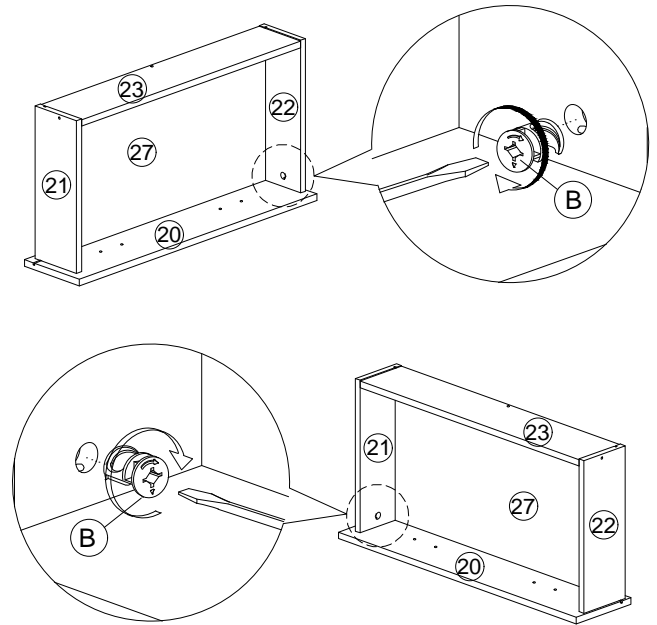
Step 29

B		Minifix	2Pcs
---	---	---------	------



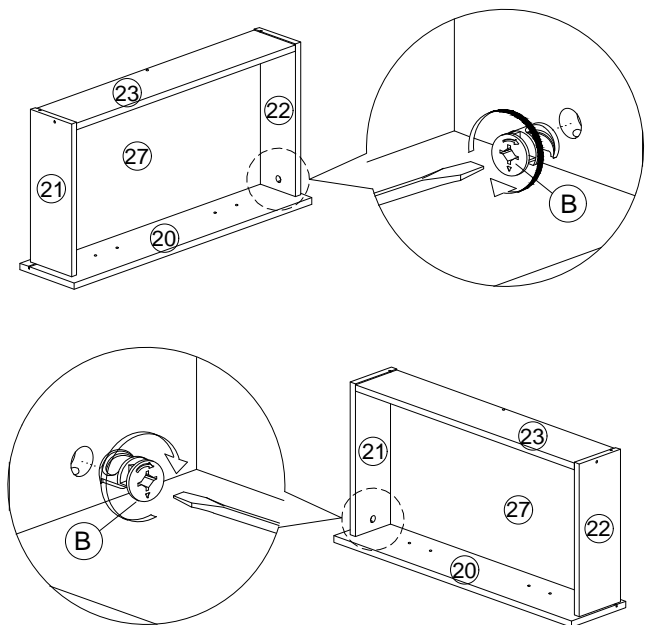
Step 30

B		Minifix	2Pcs
---	---	---------	------





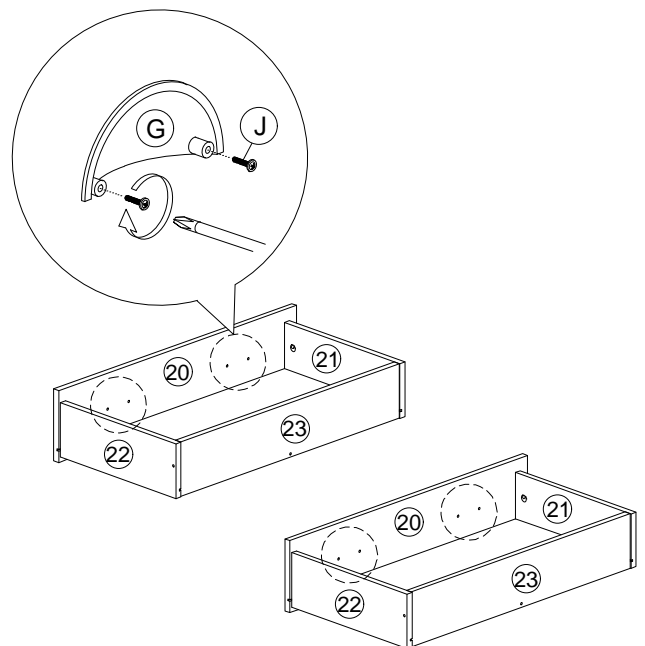
Step 31

B		Minifix	2Pcs
---	---	---------	------




Step 32

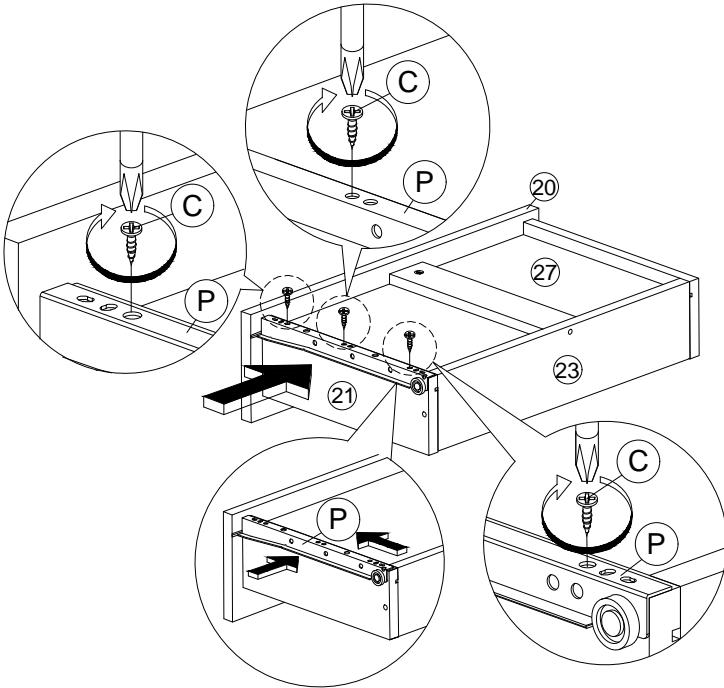
G		Handle JD 2789	4Pcs
J		M4x22mm Handle Screw	8Pcs



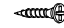

Assembly Instruction

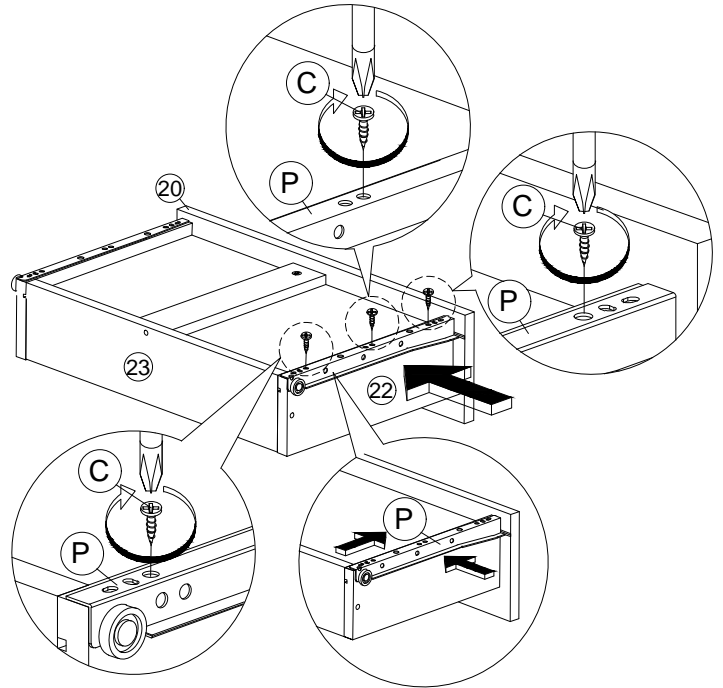
Step 33

C		M3.5x16mm Screw	3Pcs
P		Drawer Slide 350mm - L	1Pc

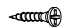



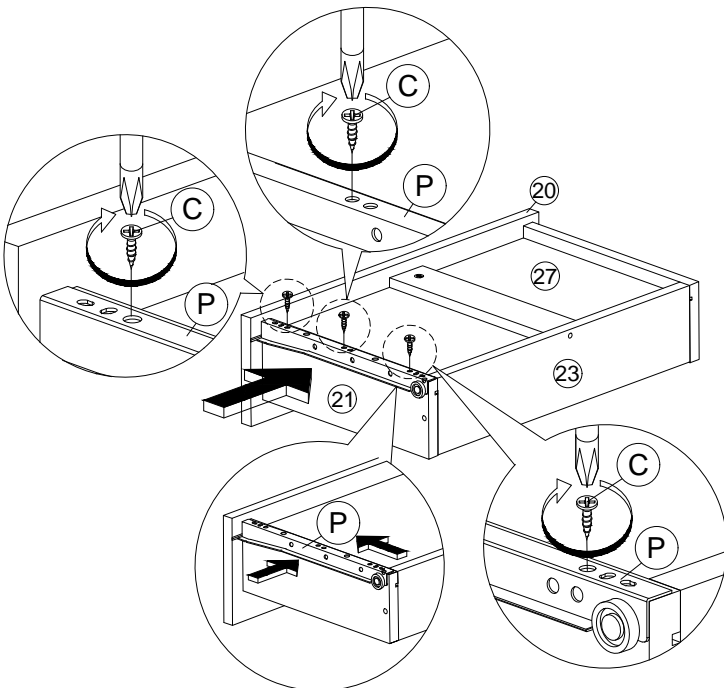
Step 34

C		M3.5x16mm Screw	3Pcs
P		Drawer Slide 350mm - R	1Pc

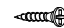



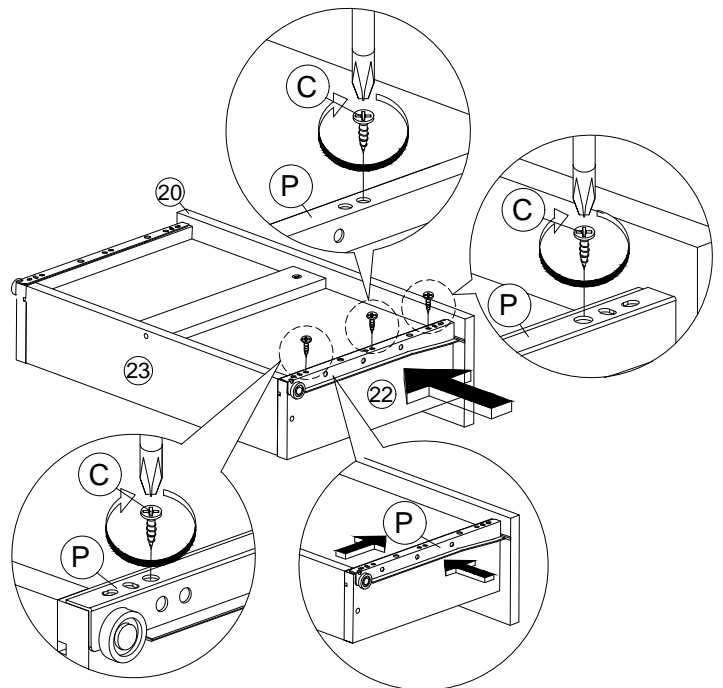
Step 35

C		M3.5x16mm Screw	3Pcs
P		Drawer Slide 350mm - L	1Pc



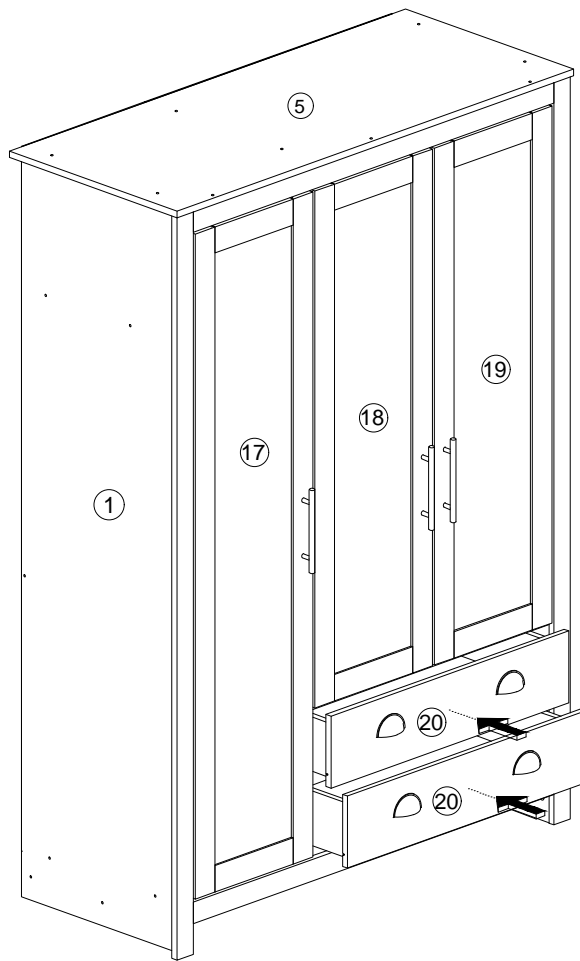
Step 36

C		M3.5x16mm Screw	3Pcs
P		Drawer Slide 350mm - R	1Pc



Assembly Instruction

Step 37



FITTING OF ANTI-TIP SAFETY STRAP

STEP 1:

- Attach the mounting bracket (a) to the furniture in the solid part below the top panel a few inches away from the side of the unit.
- Screw (b) through the smallest hole of (a).

STEP 2:

- Locate a stud in behind the have to
- Place the other mounting bracket (a) on the wall stud 2 inches below the mounting bracket secured to the back of your unit.
- Attach to the wall stud using (c) through the smaller hole of (a).

STEP 3:

- Repeat the same step a few inches away from the other side of the unit.
- Place the furniture into position so both mounting brackets are vertically in line.
- Lace the end of the restraint strap through the larger holes in each mounting bracket.
- Secure the straps and lock into place.

