

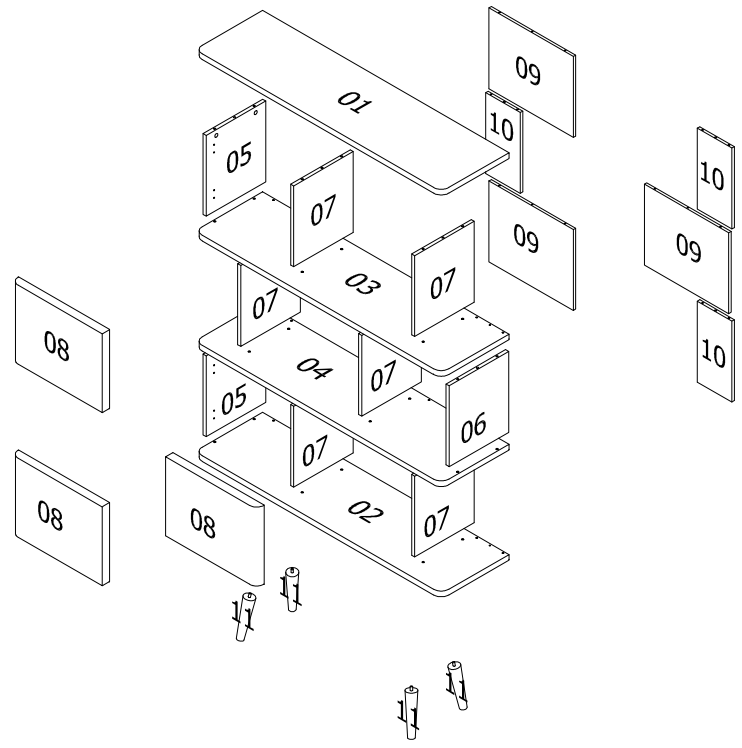
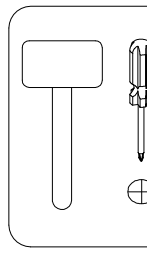
ASSEMBLING GUIDE

WARNING! NOT SUITABLE FOR CHILDREN UNDER 3 YEARS. CONTAINS SMALL PARTS.

CAUTION
 MATERIAL USED - LAMINATED MEDIUM DENSITY FIBERBOARD AND PARTICLEBOARD FRAME * TO CLEAN USING SOFT, DRY, CLOTH * DO NOT USE DETERGENT OR CHEMICALS * AVOID CONTACT WITH WATER AND DIRECT SUNLIGHT * TO BE ASSEMBLED ON A SOFT, DRY, CLEAN AND SMOOTH SURFACE * DO NOT USE POWER DRILLS TO ASSEMBLE AS THIS MAY CAUSE DAMAGE TO THE PRODUCT IF OVER-TIGHTENED

A		CSK SCREW M3.5 X 15MM	13
B		EURO SCREW M6 X 13MM	24
C		UNITAR SCREW M7 X 60MM	18
D		WOOD DOWEL (Ø6 X 20MM)	30
E		WOOD DOWEL (Ø8 X 25MM)	9
F		BOLT-9607 PARALEL NECK DOWEL 24 X 8.5	24
G		CAM-9499 CAM 3000 15 X 12	18
H		CAM-9642 CAM 3000 12/13MM	6

J1		METAL CONCEALED HINGES (5/8") W/ SPRING	6
J2		HINGES PLATE	6
K		PLASTIC LEVELLER(10MM)	6
L		ALLEN KEY M4	1
M		WEBBING TAPE (1.2 X 12 X 145 MM)	1
N		GLUE	4
P		METAL 10 BRACKET (2 X 92 X 92MM)	4



1

D X30 E X9 N

2

F X24

3

A X12 J1 X6

4

B X12 J2 X6

5

G X6 H X1 N

6

C X6 H X1 E

7

G X6 H X1 N

8

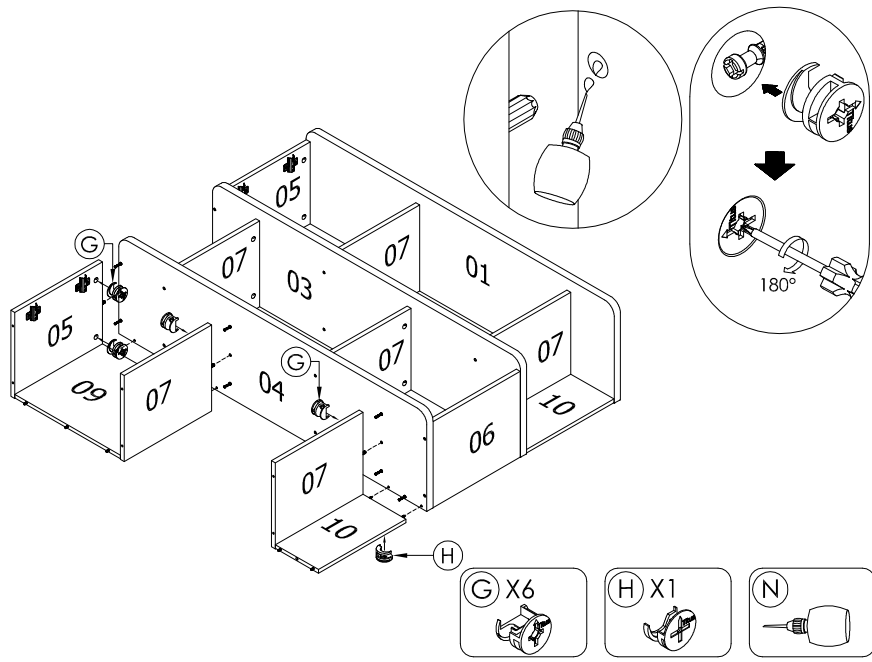
C X6 H X1 E

ASSEMBLING GUIDE

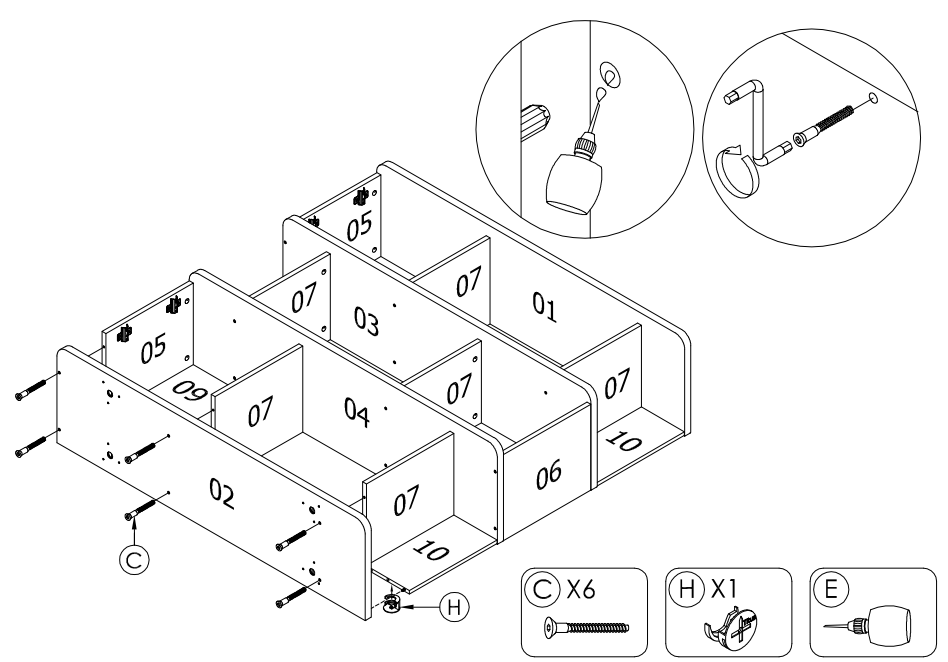
WARNING! NOT SUITABLE FOR CHILDREN UNDER 3 YEARS. CONTAINS SMALL PARTS.

CAUTION
 MATERIAL USED - LAMINATED MEDIUM DENSITY FIBERBOARD AND PARTICLEBOARD FRAME * TO CLEAN USING SOFT, DRY, CLOTH * DO NOT USE DETERGENT OR CHEMICALS * AVOID CONTACT WITH WATER AND DIRECT SUNLIGHT * TO BE ASSEMBLED ON A SOFT, DRY, CLEAN AND SMOOTH SURFACE * DO NOT USE POWER DRILLS TO ASSEMBLE AS THIS MAY CAUSE DAMAGE TO THE PRODUCT IF OVER-TIGHTENED

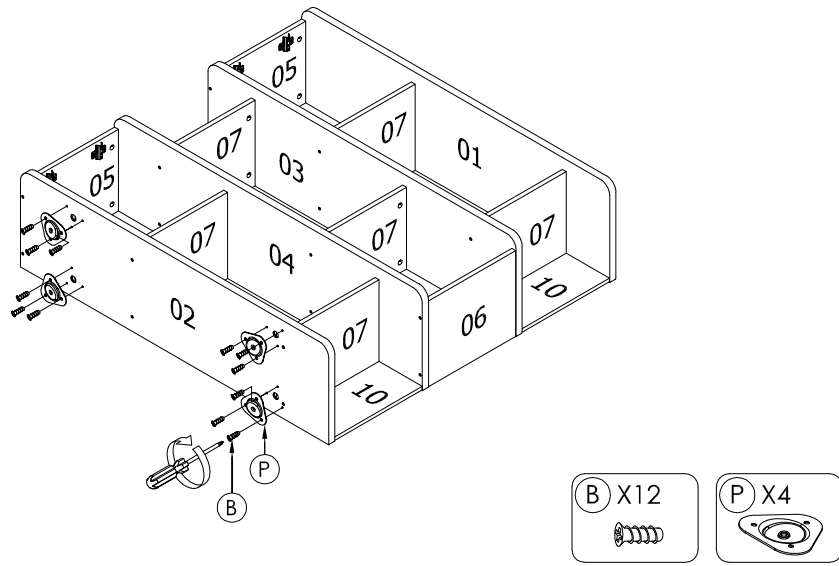
9



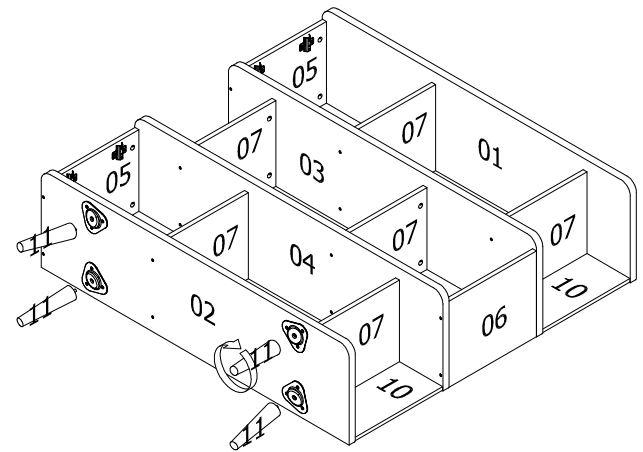
10



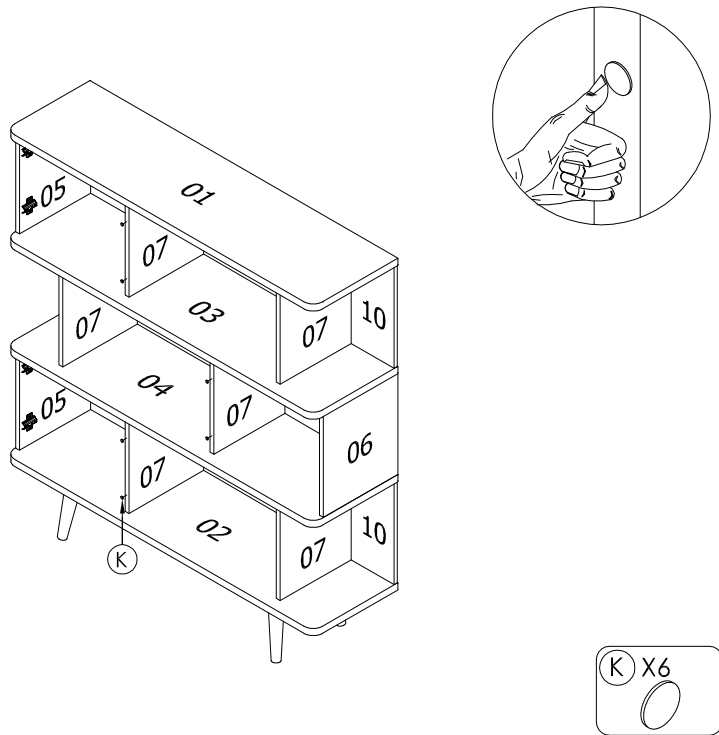
11



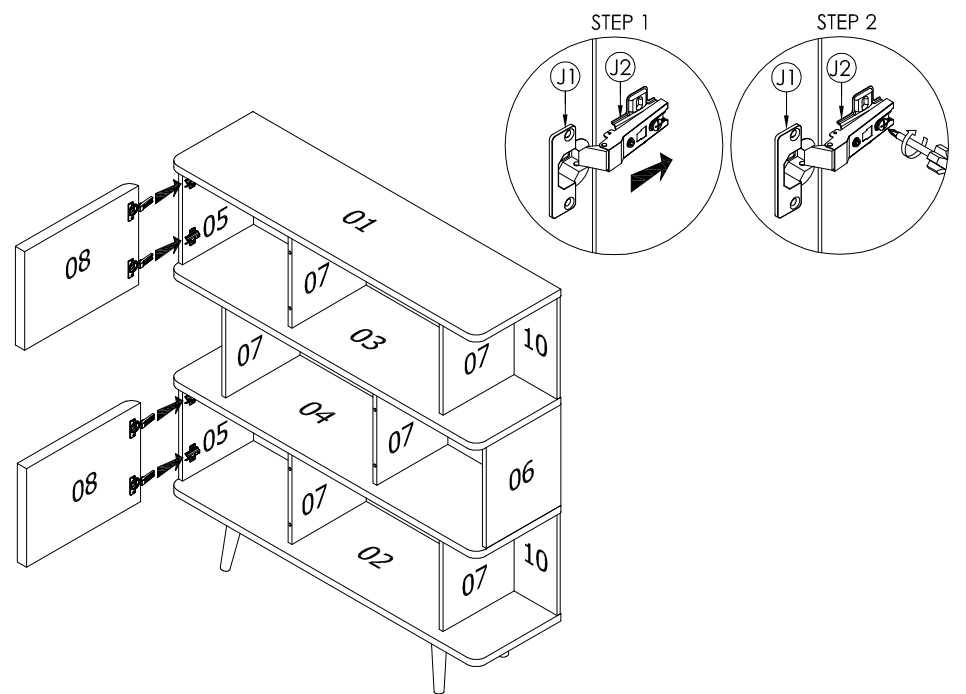
12



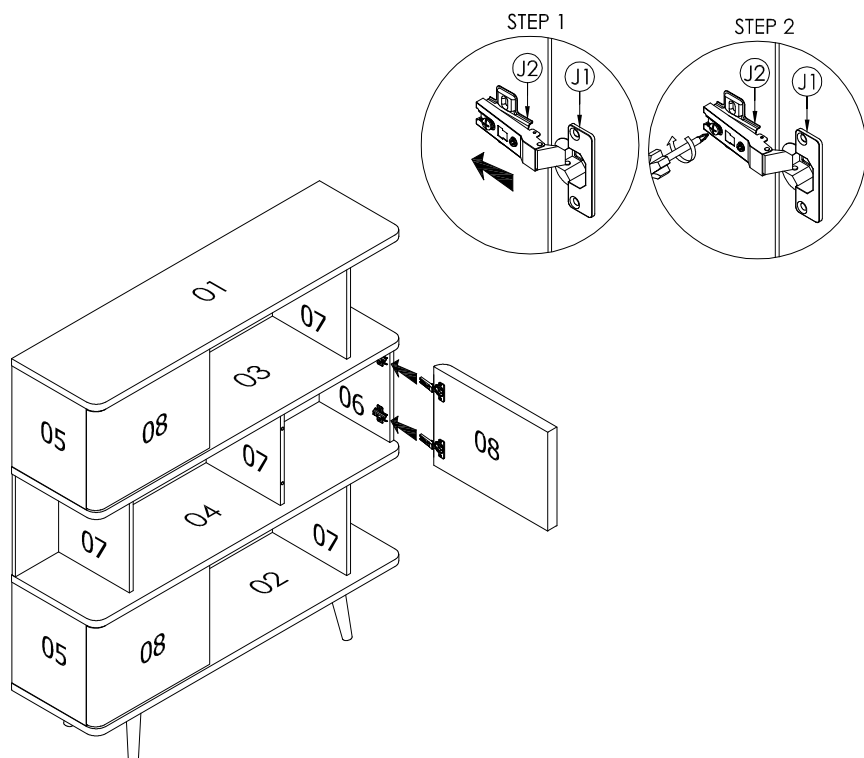
13



14



15



16

