



HYDRUS



Tub Installation Manual

Safety Instructions	p. 2
Installation Instructions	p. 3
Mechanical requirements	p. 4
Electrical requirements	p. 5
Installing the tub	p. 5
Setting the tub	p. 6
Electrical connection	p. 7
Final cleanup	p. 7
Operating Instructions	p. 8
User Care and Maintenance	p. 9
Warranty	p. 10



SAFETY INSTRUCTIONS

WARNING

When using your whirlpool tub, basic precautions should be followed.
Read and follow all instructions.

1. **DANGER:** To reduce the risk of injury, do not permit children to use this unit unless they are closely supervised at all times.
2. Use this unit only for its intended use as described in this manual. Do not use attachments not recommended by the manufacturer.
3. Never drop or insert any object into any opening.
4. Do not operate this unit without suction cover installed.
5. The unit must be connected only to a dedicated electrical supply circuit that is protected by a Ground Fault Circuit Interrupter (GFCI). The GFCI must be provided by the installer and should be tested on a routine basis by the homeowner. To test the GFCI push the test button. The GFCI should interrupt power. Push the RESET button. Power should be restored. If the GFCI fails to operate in this manner there is a ground current fault, indicating the possibility of an electric shock. Do not use the tub. Disconnect the power and have the problem corrected by a qualified service representative. Re-test the GFCI and only when it is operating properly may the whirlpool tub be used.
6. A terminal is provided on the exterior of most equipment. To reduce the risk of electric shock, connect this terminal to the grounding terminal of your electric service or supply panel with a conductor equivalent in size to the circuit conductors supplying this equipment.

WARNING

This product can expose you to chemicals including styrene, which is known to the State of California to cause cancer. For more information, go to www.P65Warnings.ca.gov.

Save These Instructions



INSTALLATION INSTRUCTIONS

HYDRUS bathtubs and whirlpool bathtubs are designed and engineered for easy installation and years of trouble-free enjoyment. Installation is easy if you follow the step-by-step instructions.

DANGER: RISK OF ELECTRICAL SHOCK

Connect only to a circuit protected by a ground fault circuit interrupter. Grounding is required.

All electrical connections should be made by a licensed electrician.

Installation of HYDRUS bathtubs must meet all applicable codes and regulations.

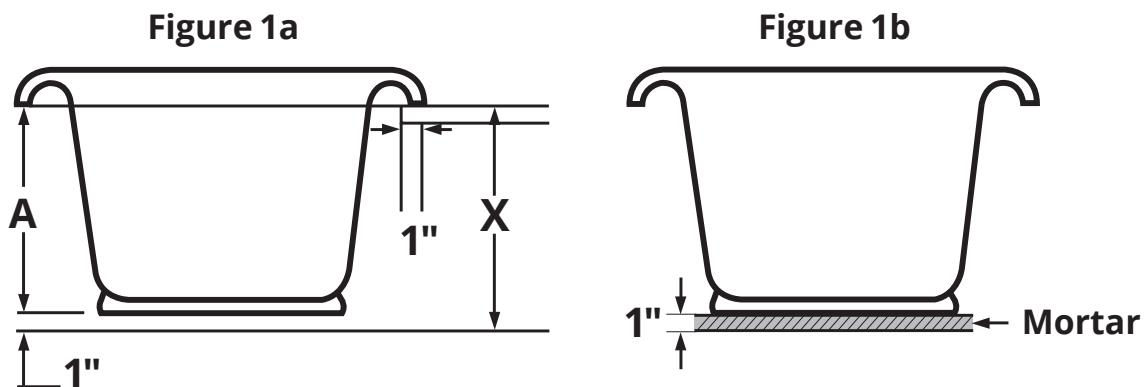
1. This unit should be installed by a qualified service representative.
2. **READ ALL THE INSTRUCTIONS** before you begin the installation.
3. **INSPECT THE TUB** before you begin the installation. Inspect the following:
 - a. Is it the correct model? The correct size? The correct color?
 - b. If options or upgrades were ordered, are they complete and correct?
 - c. If the tub was ordered with components in non-standard locations, check to make sure they all are in their correct locations.
 - d. Check all components to make sure no damage occurred during shipping.
 - e. For Tubs with Tile Flange inspect for positive draft to bathing well.

DO NOT INSTALL THE TUB if any of the above is not correct.

Contact the dealer where the bathtub was purchased. You will need to know the bathtub serial number attached to your warranty card and also located on the back side of the bathtub.

MECHANICAL REQUIREMENTS

- 1. WEIGHT:** Tubs must be installed in a location that will support the combined weight of the tub plus the water plus the bather. As a rule of thumb, this will be a maximum of 1000 lb for a 60" tub, 1200 lb for a 66" tub, and 1400 lb for a 72" tub.
- 2. TILE FLANGES:** Tubs can be installed as a drop-in unit or they can be installed against one, two or three walls. Tubs installed against walls should be ordered with a tile flange on each side that will be against a wall to provide a leak free water barrier.
- 3. FRAMING:** When framing it is best to measure the actual tub to be installed to determine framing dimensions. In the absence of the actual tub, refer to the HYDRUS catalog drawings or website at www.hydrosystem.com. On tubs with integral tile flanges, (Figure 2a) measure the distance from the underside of the tub deck to the bottom of the tub base at the drain end of the tub (A) plus 1" for the mortar bed. On tubs with integral tile flanges and a skirt panel, (Figure 2b) measure the distance from the top of the stringer to the floor (X) must equal the distance from the bottom of the skirt to the top of the deck (B), minus 1/4" (the thickness of the tub deck).



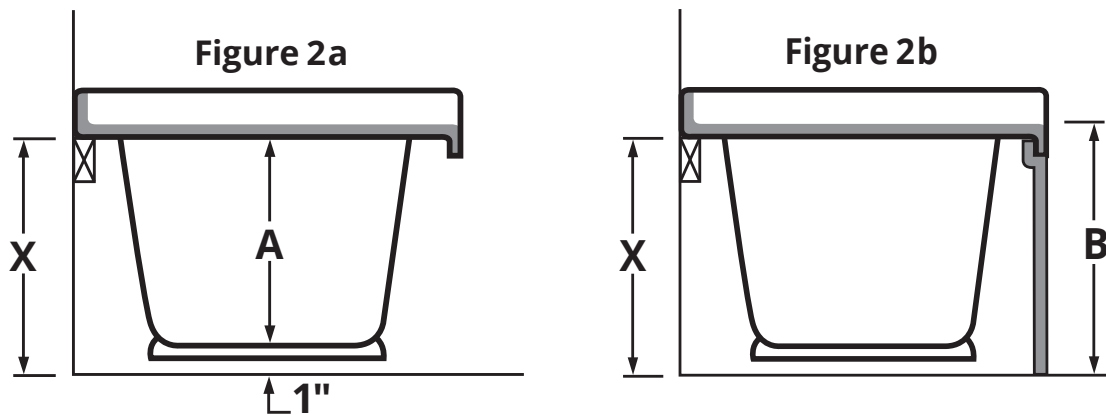
The two most common types of installations are DROP-IN and THREE WALL installations. DROP-IN (Figure 1). For drop-in, or deck-mounted tubs, the finished height of the deck (X) where the tub will sit must equal the dimension from the trimmed edge of the tub to the floor at the drain end of the tub (A) plus 1". The 1" is for the mortar bed.

IMPORTANT - the deck must be level both front to back and side to side. If it is not level, the tub will not be level and it will not drain properly. The opening into which the tub will be dropped should be cut 1" smaller than the tub all around. For example, for a 60" x 42" rectangular tub, an opening of 58" x 40" will extend 1" under the lip of the tub all the way around and will provide clearance for the whirlpool system. In the case of oval and round tubs, Hydro Systems ships a full size paper template with the tub.

THREE WALL: For tubs installed in a three wall enclosure, the tub will need a rough opening the same size as its overall dimensions. For example, a 60" x 42" tub will need a space 60" x 42" for installation. Do not include finish wall coverings (wall board, tile, etc) in your rough framing calculations. Studs and walls should be straight and plumb, and corners must be square. Stringers must be provided to support the deck where it meets the wall.

IMPORTANT - The stringers must be level both front to back and side to side. If they are not level, the tub will not be level and it will not drain properly.

On tubs with integral tile flanges, (Figure 2a) measure the distance from the underside of the tub deck to the bottom of the tub base at the drain end of the tub (A) plus 1" for the mortar bed. On tubs with integral tile flanges and a skirt panel, (Figure 2b) measure the distance from the top of the stringer to the floor (X) must equal the distance from the bottom of the skirt to the top of the deck (B), minus 1/4" (the thickness of the tub deck).



For installations that are any combination of decks, walls, and pony walls, use the same methods to determine critical heights. Remember that all supports must be at the same height and must establish a plane that is level front to back and side to side.

4. HOT WATER HEATER: As a rule of thumb, the capacity of the hot water heater needs to be at least 75% of the capacity of the whirlpool tub. Formula = capacity x (2/3).

ELECTRICAL REQUIREMENTS

- Dedicated 20AMP GFCI Protected outlet(s) for pump
- 15 amp blower
- 15 amp heater

INSTALLING THE TUB

Access Panel: Access must be provided for future service or removal of the pump, control boxes and wiring, without removing the tub or damaging the building structure or finish. An access panel at least 14" high by 16" wide must be located directly in front of the pump, control boxes or wiring. The optional HYDRUS skirt with removable panel will satisfy this requirement. Minimum clearance in front of any panel should be 30".

IMPORTANT - Never move or lift the tub by the pipes or other plumbing system components. Move or lift the tub by the deck or from under the bottom only.

Test the entire system including integral or linear overflows before you install the tub: All HYDRUS whirlpool tubs are fully tested at the factory before shipping. However, it is the responsibility of the installer to check the system before installing the tub; if the tub is to be set in “rough framing” and can be accessed from all sides after setting, skip to paragraph 4 below. If the tub will be set in “finished framing” and can’t be accessed from all sides, we recommend testing the tub outdoors before setting it. Here’s how:

- Put the tub on a flat surface such as a driveway or lawn.
- Tape over the drain.
- Fill the tub with a garden hose. Fill it to at least 1” above the highest jet.
- Plug the control box into a 110v GFCI protected outlet.
- Activate all systems/options for a minimum of 15min
- Check the jets and check the entire system for leaks. Some components will be inaccessible after the tub is installed, so check each component and each connection all around the tub.
- If the tub has optional equipment now is the time to check those components. If the tub has an in-line heater, plug it into a separate 110v GFCI protected source while the pump is running (the heater will operate only when the pump is running). The heater’s indicator light will be on when the heater is operating.

Do not install the tub if the system is leaking. Contact your dealer.

If the whirlpool system is performing properly and there are no leaks in the system, you are now ready to set the tub. PLEASE NOTE: Bathtub serial number will be needed.

SETTING THE TUB

- Install the waste & overflow on the tub.
- If your tub has the standard single speed pump or variable speed or blower, remove the hold-down bolts securing the components to the platform.
- The tub must be supported evenly around the perimeter of the deck and also under the entire bottom.
- To set the tub, mix a stiff batch of slow-setting mortar (without gravel) and pile more than enough on the floor. It may be necessary to construct a dam to contain the mortar. Do not use drywall compound or plaster of Paris.

- Lower the tub into position. Slip the drain into the waste line as it goes down. Allow the tub to settle into the wet mortar, squishing the excess out at the sides and ends of the tub.
 - When the deck hits the supports all around, the tub is level and at the correct height.
 - If the mortar is very deep, the tub may try to “Float” in the mortar bed. Put four to six inches of water in the tub to hold it down. Allow the mortar to cure overnight before draining the tub.
 - Fasten the tile flanges to the wall studs with galvanized nails or screws (pre-drill the holes for them first). PLEASE NOTE: The tile flanges are not structural and must not bear any weight. The tub must be supported under the deck.
 - If the tub was ordered with the pump in a remote location, the pump was shipped in a box strapped inside the tub crate. All PVC pipe and fittings required to connect the pump to the whirlpool system are strapped to the tub. Remove them now. Construct a support stand for the pump so that the pump intake is higher than the suction fitting, and lower than all jets on the tub. The slope of the pipe from the suction fitting up to the pump should be a minimum of 1/8” per foot. The discharge line from the top of the pump to the tub must slope evenly up to the system. It must not go below the pump intake or above the jet closest to the pump. The pump must not hang on the pipes. It must sit on the sound dampening pad, and it must not be bolted down (unless it is a variable speed pump). Connect both pipes to the whirlpool system and thread the unions onto the pump. Be sure the “O” rings are in the unions. Hand tighten only, and do not use any type of joint sealant. The use of any sealant voids the warranty.
-

ELECTRICAL CONNECTION

If the pump is in the standard location, it is plugged into the control box. So are all accessories. Check all connections. Make sure the bolts have been removed that hold the pump to the pump platform and plug the control box pigtail into the home’s dedicated GFCI.

If the tub was ordered with the pump in a remote location, plug the pump into the control box. Plug all accessories into the control box. Check all connections and plug the control box into the home’s dedicated GFCI.

FINAL CLEANUP

Do not use abrasive cleaners to clean the bathtub. They may scratch or mar the surface. Liquid soap or a cleaner intended for fiberglass bathtubs should be used. Please refer to the USER CARE AND MAINTENANCE section. Do not use wire brushes or metal tools or scrapers to remove paints drips, plaster, tar, etc. If a scraping device is required, a wood edge may be used carefully. Use lighter fluid to remove any adhesive left from stickers and labels.



OPERATING INSTRUCTIONS

WARNING

To reduce the risk of injury, do not permit children to use this unit unless they are closely supervised at all times.

- Use this bathtub only for its intended use as described in this manual. Do not use attachments not recommended by HYDRUS.
- Never insert or drop any object into any opening.
- Do not operate this unit without the cover over the suction fitting.
- HYDRUS tubs are designed for “fill-and-drain” use. Fill the tub to use it and drain it when you are finished.

PLEASE NOTE: The pump motor is equipped with a thermal overload protector which senses current and temperature. The motor will shut down automatically in the event of an unsafe condition. If this happens, turn the whirlpool system off. When the unsafe condition has been corrected the motor is automatically ready to restart.

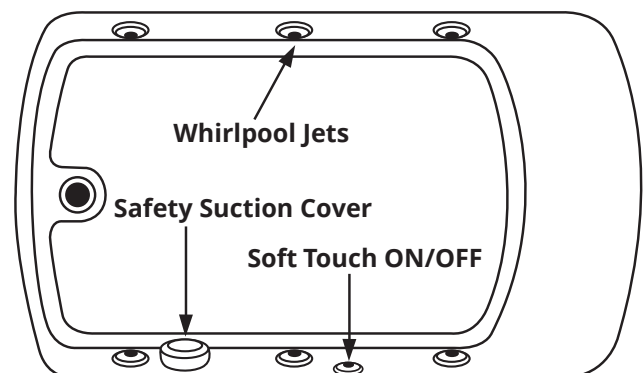
To operate: Fill the tub with water at the desired temperature. When you’re sitting in the tub the water level should be at least 1” above all jets but lower than the overflow. Each HYDRUS whirlpool bathtub is equipped with these standard features (Figure 3).

Electronic soft touch control: This is the on/off control switch for the whirlpool system. It bears the HYDRUS logo. Press the logo once to turn the whirlpool system on. Press it again to turn the whirlpool system off. The whirlpool system is configured to run for thirty minutes and shut down automatically. If a longer bathing period is desired, press the logo to start it again. The whirlpool system will not turn on until the jets are covered with water, if you have optional water level protection.

Whirlpool jets: These are fully adjustable and directional. To adjust the flow of water coming from the jets, rotate the escutcheon. Clockwise will reduce flow, counter clockwise will increase flow. To adjust the direction of the jets, point the eyeball in the desired direction.

Anti-vortex safety suction: This is the intake where water is drawn in for the pump. Do not operate the whirlpool system without the suction cover in place.

Figure 3





USER CARE AND MAINTENANCE

WARNING

Any service or maintenance other than described below should be performed by a qualified service representative. Call your HYDRUS dealer for the name of a qualified service representative near you.

To maintain the “like new” look of your HYDRUS acrylic or gelcoat bathtub, we recommend the following easy care procedures:

- Never use abrasive cleaners.
- Use common household, non-abrasive cleaners for most cleaning jobs such as Lysol Basin, Tub & Tile Cleaner®, Glass Plus®, Simple Green®, Mr. Clean, and Top Job, or a mild dishwashing detergent such as Ivory® Liquid. Follow the manufacturers’ directions and precautions. Rinse well and dry with a clean cloth.
- Do not use products such as acetone (nail polish remover), dry cleaning solution, lacquer thinners, gasoline, pine oil, wintergreen, etc.
- Use Isopropyl rubbing alcohol to clean grease oil, paint or ink. Dry with a clean soft cloth.
- Avoid using razor blades, putty knives, or other metal instruments that might scratch the surface. Small scratches can be removed by applying a thin coat of automotive paste wax and buffing lightly with a clean cloth. For deeper scratches, sand the surface lightly with 600 grit “wet or dry” sand paper, rub out with fine buffing compound, and apply a coat of wax.
- **WARNING:** Flush the whirlpool system periodically (at least every 90 days) as follows: Fill the bathtub with water, add 1/2 cup of household bleach, run the whirlpool system for 10 minutes, drain completely. Rinse the bathtub and refill with water, run the whirlpool system for 5 minutes, drain completely. Wipe dry with a soft cloth.



LIMITED WARRANTY 10/5/2

This limited warranty is extended to the first user or the original retail purchaser for a period of ten (10) years on the bathtub, five (5) years on electronics and two (2) years on the air channel, plumbing, and labor to replace electronics or any other repair that is covered from date of purchase, and is not enforceable by any other party. HYDRO SYSTEMS, INC. warrants that the system and/or bathtub is free from defects in the workmanship and/or materials.

This limited warranty does not include any other items not manufactured by HYDRO SYSTEMS, INC. HYDRO SYSTEMS, INC. does not assume liability for the finish or the wearing quality of any plated product. No dealer or other person has any authority to make any warranties or representations concerning HYDRO SYSTEMS, INC. or its products.

Accordingly, HYDRO SYSTEMS, INC. is not responsible for any such warranties or representations. THERE ARE NO WARRANTIES BEYOND THE DESCRIPTION ON THE FACE HEREOF. NO WARRANTY OF MERCHANTABILITY, FITNESS, NOR OTHER WARRANTY (WHETHER EXPRESS, IMPLIED OR STATUTORY) IS MADE BY HYDRO SYSTEMS, INC., EXCEPT THAT IT WARRANTS THE GOODS TO BE FREE FROM DEFECTS IN MATERIALS AND WORKMANSHIP IN NORMAL USE AND SERVICE AS DESCRIBED ON THE FACE HEREOF.

WARRANTY OBLIGATIONS OF HYDRO SYSTEMS, INC.: Should a defect in workmanship and/or material in any item covered by this warranty become evident during the term of the warranty, then upon the consumer following the procedures set forth below, HYDRO SYSTEMS, INC. at its opinion, will repair or replace such item at its own cost and expense. HYDRO SYSTEMS, INC. is not, however, responsible under this warranty for any cost of shipping or transportation or the equipment or parts thereof to or from the Service Department. Also, HYDRO SYSTEMS, INC. is not liable for any loss of time, inconvenience, incidental expenses such as telephone calls, labor or material charges incurred in connection with the removal or the replacement of the equipment, or any other incidental or consequential damages, unless otherwise prohibited by applicable state law.

PROCEDURES TO BE FOLLOWED TO OBTAIN WARRANTY SERVICE:

- 1) Upon discovery of any defect or malfunction, notify the supplier/installer and HYDRO SYSTEMS, INC. Service Department, 29132 Avenue Paine, Valencia, CA 91355, Telephone: (661) 775-0686, within (10) ten days and include a description of the malfunction or defect, the HYDRUS distributors name and purchase order number or the 5-digit bathtub serial number. The bathtub serial number can be found on the warranty card or on the model card located on the underside of the bathtub.
- 2) Upon inspection, HYDRO SYSTEMS, INC. at its option will repair or replace any defective or malfunctioning part of its system or bathtub. If repairs cannot be made on site, HYDRO SYSTEMS, INC. at its opinion will repair or replace at the factory. However, the cost of removal or installation of a replacement system and cost of transportation to and from HYDRO SYSTEMS, INC. are not covered. All parts, labor and materials necessary to repair the system or bathtub are covered except parts excluded below.

EXCLUSIONS - THIS WARRANTY DOES NOT COVER:

- 1) Any items manufactured by other companies and installed by HYDRO SYSTEMS, INC. such items may carry warranties offered by the manufactures of the original items.
- 2) Problems resulting from failure to comply with installation instructions or drawings, or improper installation.
- 3) Problems resulting from abuse, misuse, negligence or accident by any party other than HYDRO SYSTEMS, INC. such as, but not limited to, damage to parts by installers.
- 4) Problems resulting in whole or part from alteration or modification of these products by any party.
- 5) Metal failures due to chemical corrosion.

**This warranty is provided to you as part of your purchase order. It gives you specific legal rights.
You should keep it in a safe place along with your purchase order.**