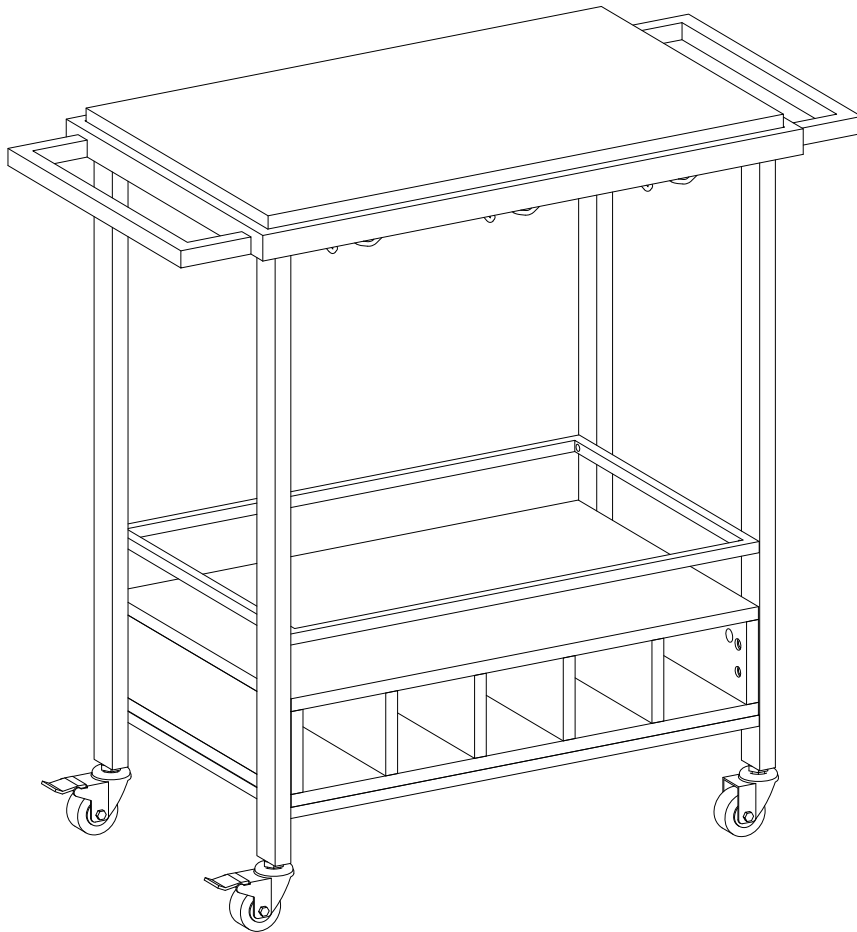


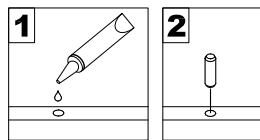
Assembly Instructions



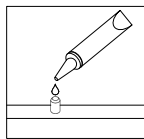
Revised 05/02/2018

General Assembly Guidelines

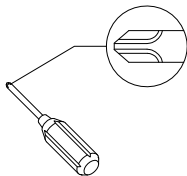
- I. Ensure that all parts and hardware are available before beginning assembly.
- II. Follow each step carefully to ensure the proper assembly of this product.
- III. Two people are recommended for ease in the assembly of this product.
- IV. The three main types of hardware used to assemble this product are : wood dowels , screws and bolts.
- V. The provided glue is to secure wood dowels in place . When first inserting dowels , locate the appropriate hole for the dowel , place a small amount of glue in the hole and insert the dowel . Wipe away excess glue immediately.



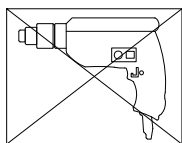
In future assembly steps when dowels are necessary to attach assembly parts together , place a small amount of glue on the end of the dowel before attaching parts together . Wipe away excess glue immediately.



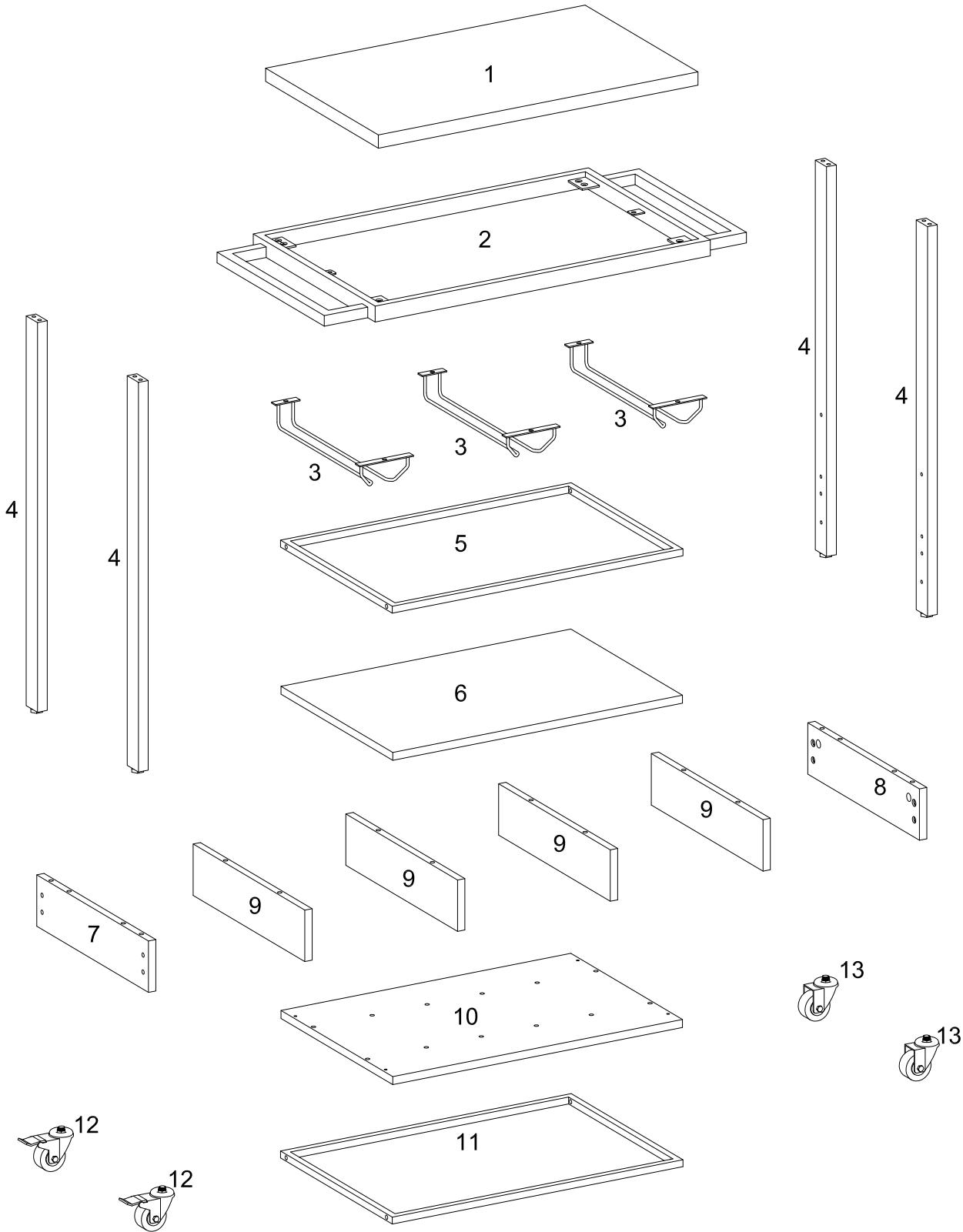
- VI. A Phillips head screwdriver is required for the assembly of this product .




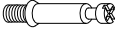



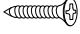

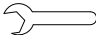




- VII. Power tools should not be used to assemble this product .

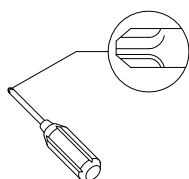


Parts List



Hardware List

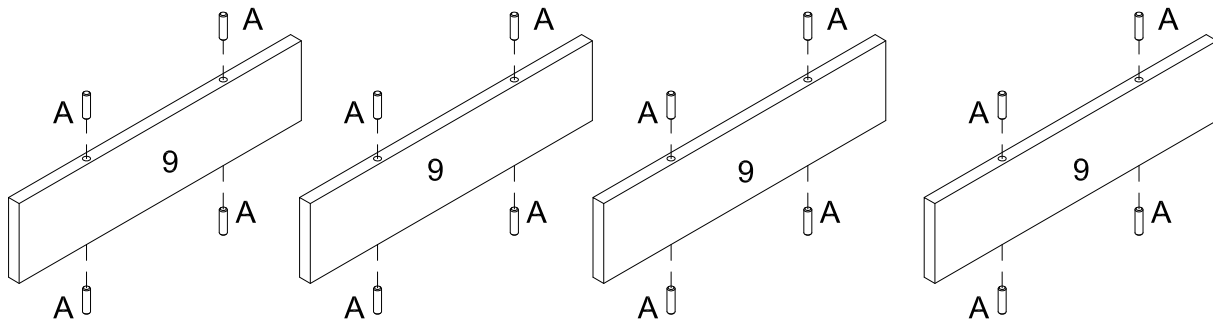
A		Ø8x30mm	Wooden dowel	24 pcs
B		Ø6x35mm	Cam bolt	4 pcs
C		Ø15x12mm	Cam lock	4 pcs
D		Ø30mm	Sticker	4 pcs
E		Ø4x12mm	Screw	6 pcs
F		Ø4x38mm	Screw	4 pcs
G		M4	Hex Key	1 pcs
H			Wrench	1 pcs
J		M6x20mm	Bolt	8 pcs
K		M6x15mm	Bolt	2 pcs
L		M6x25mm	Bolt	16 pcs
M			Glue tube	1 pcs



Philips head screwdriver required for assembly
(not included)

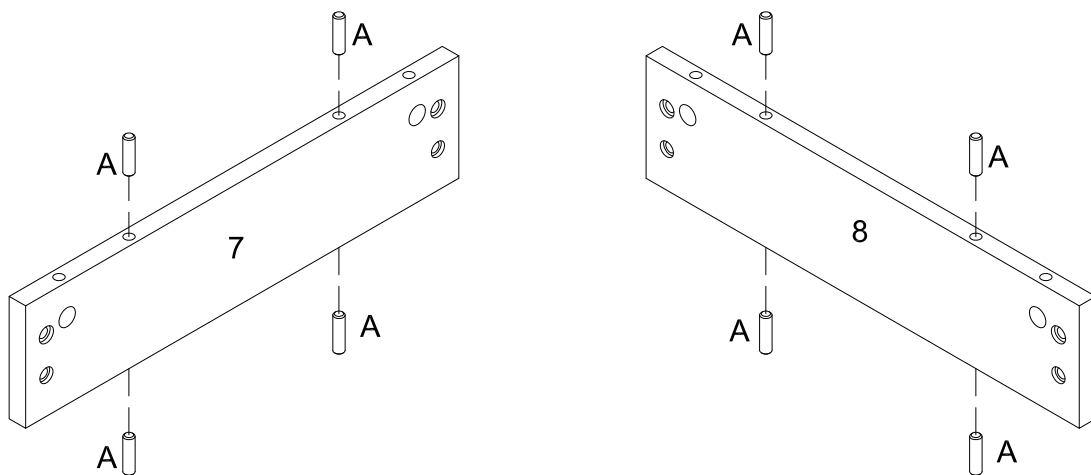
*The hardware quantities listed above are required for proper assembly.
Some extra hardware may also have been included.*

Step 1



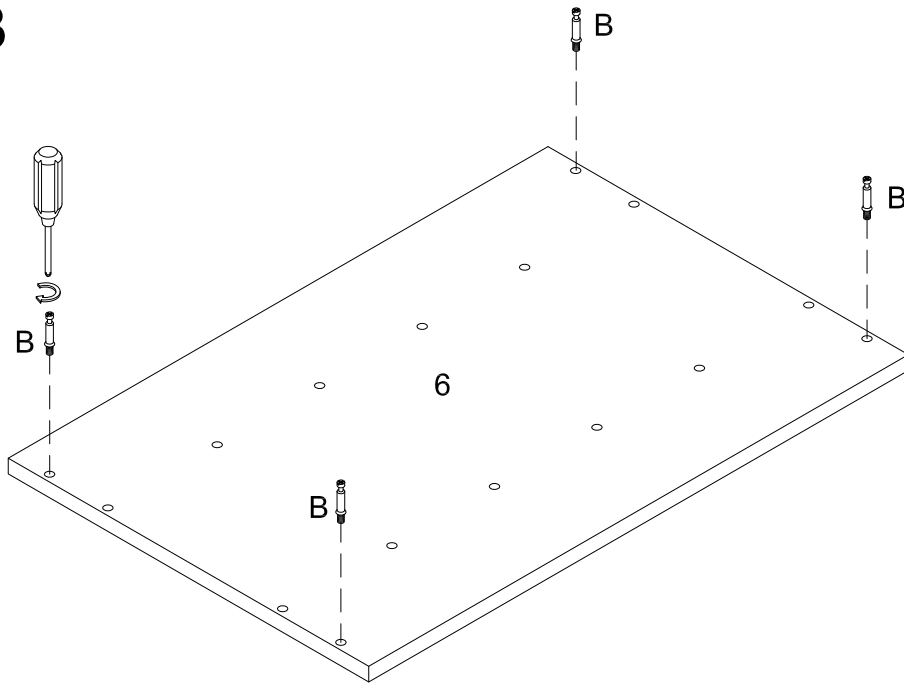
Insert wooden dowel (A) into part (9).

Step 2



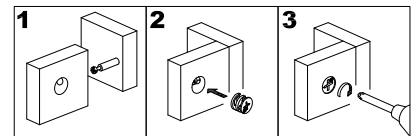
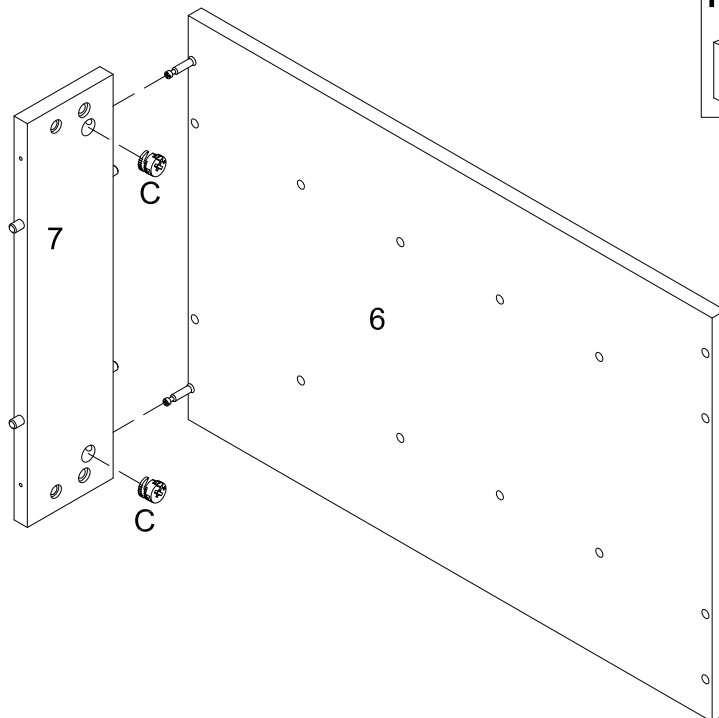
Insert wooden dowel (A) into part (7,8).

Step 3



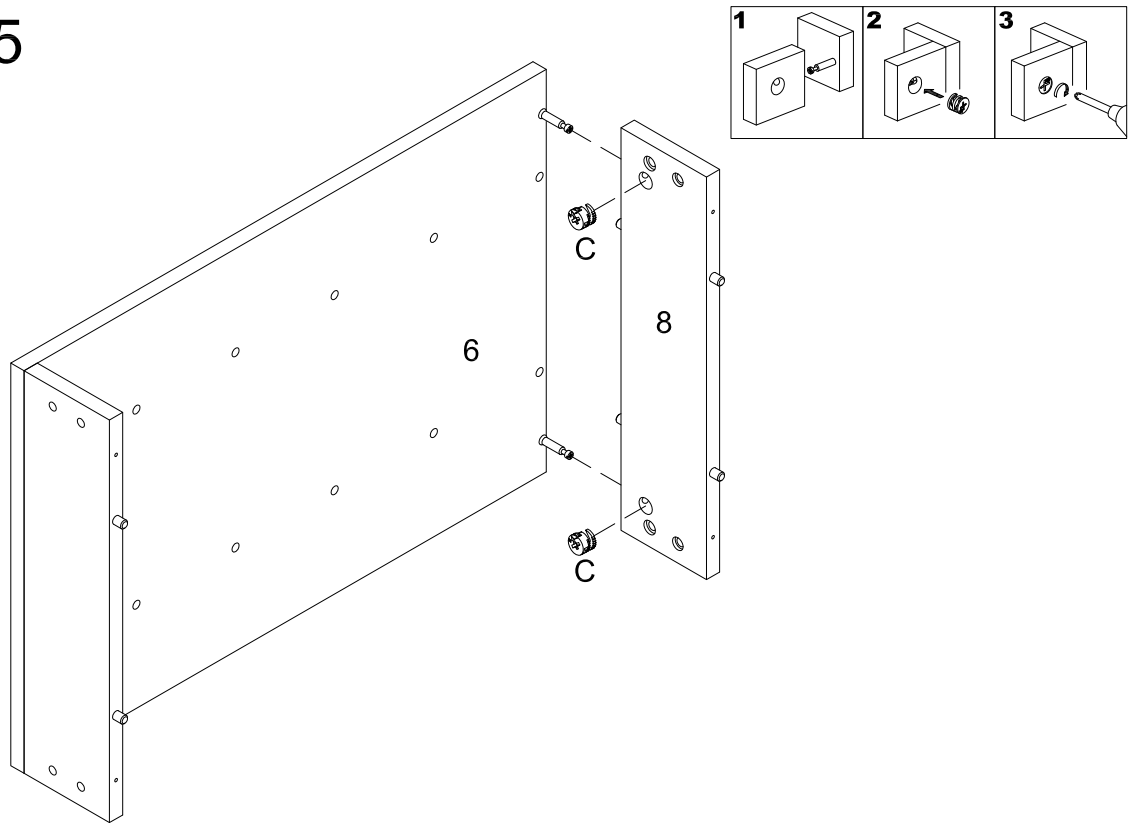
Secure cam bolt (B) to part (6) with screwdriver .

Step 4



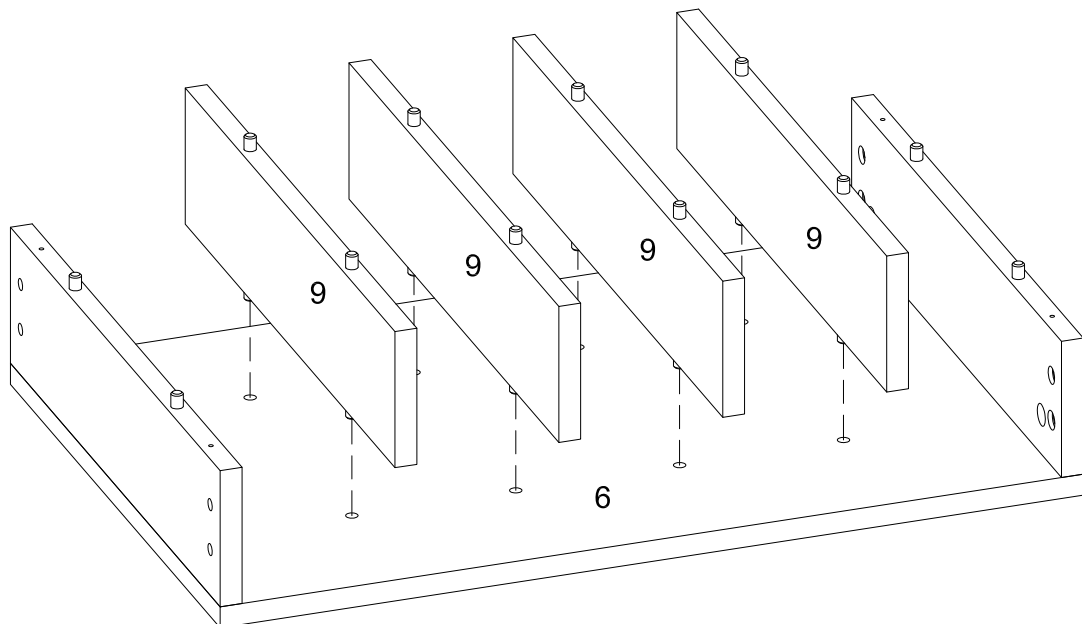
Attach part (6) to part (7), then insert and secure cam lock (C) to part (7) to lock it.

Step 5



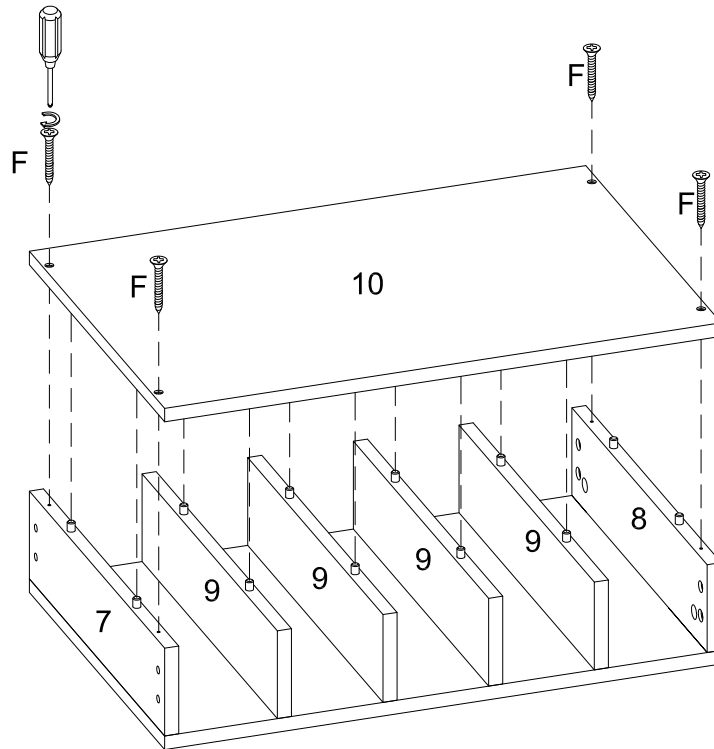
Attach part (6) to part (8), then insert and secure cam lock (C) to part (8) to lock it.

Step 6



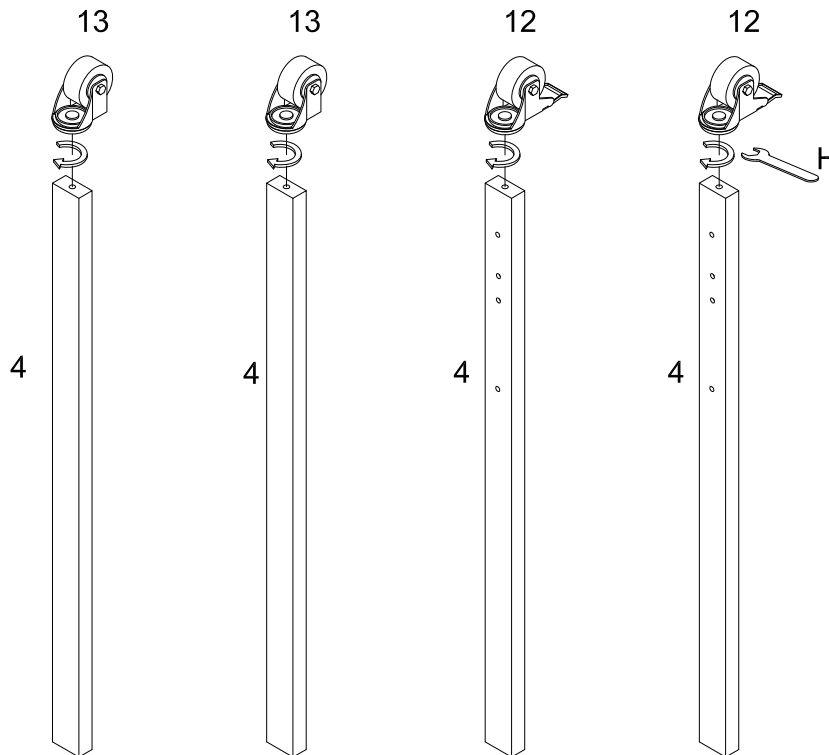
Insert part (9) into part (6).

Step 7



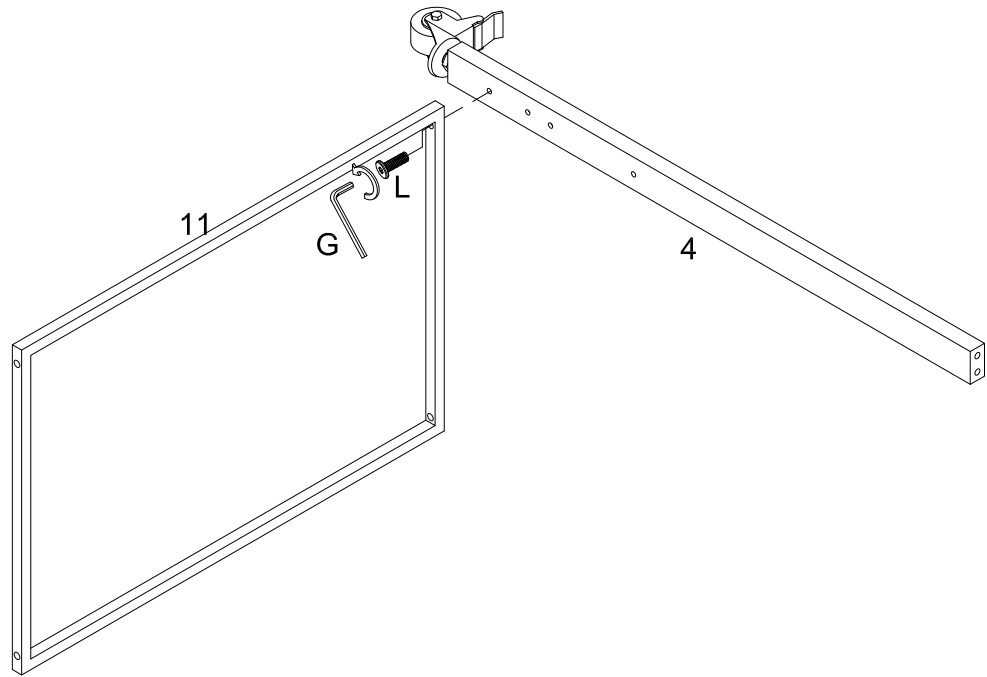
Insert part (10) into part (7,8,9), then secure part (10) to part (7,8) using screw (F) with screwdriver.

Step 8



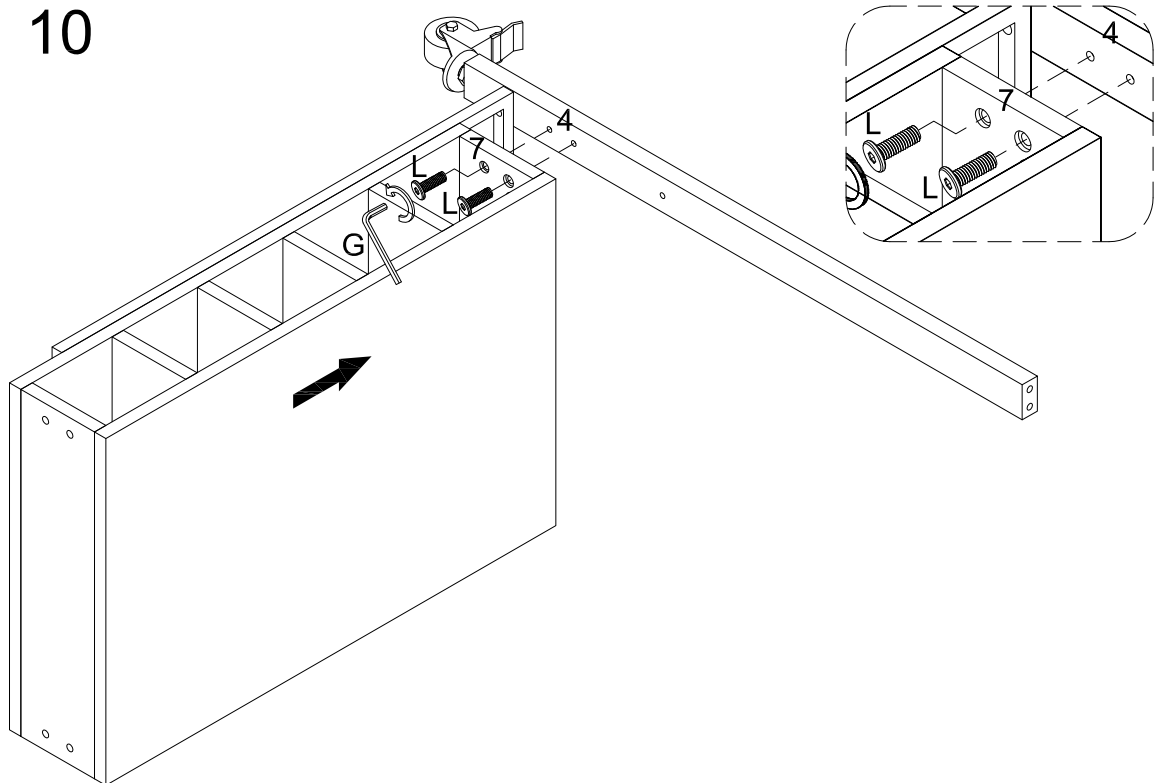
Secure part (12,13) to part (4) with wrench (H).

Step 9



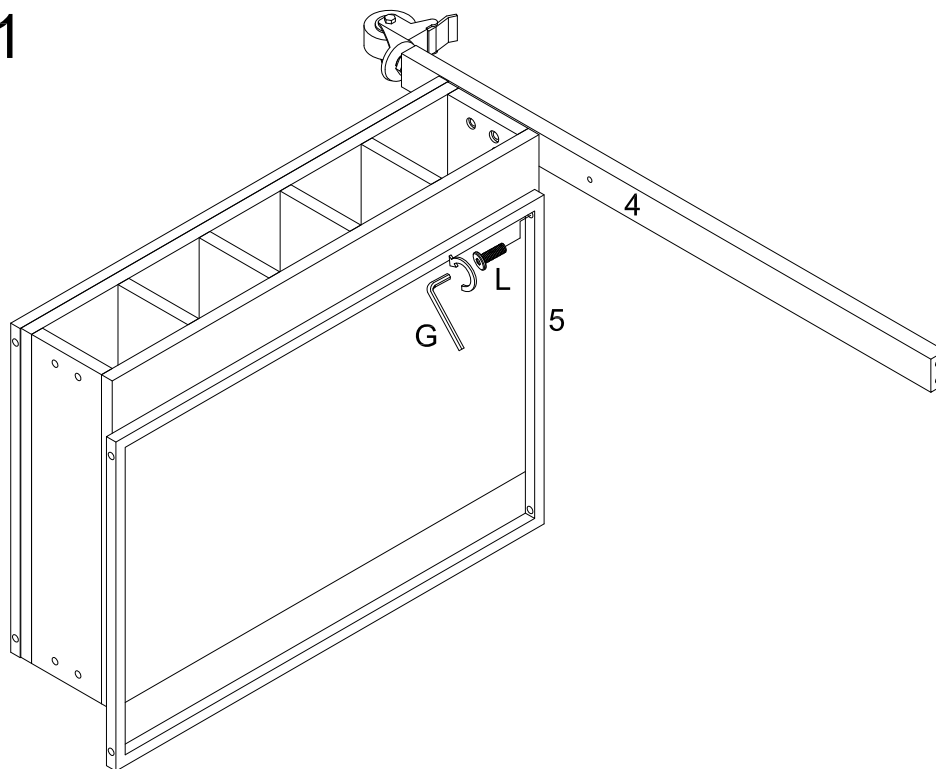
Attach part (11) to part (4) using bolt (L) with hex key (G).

Step 10



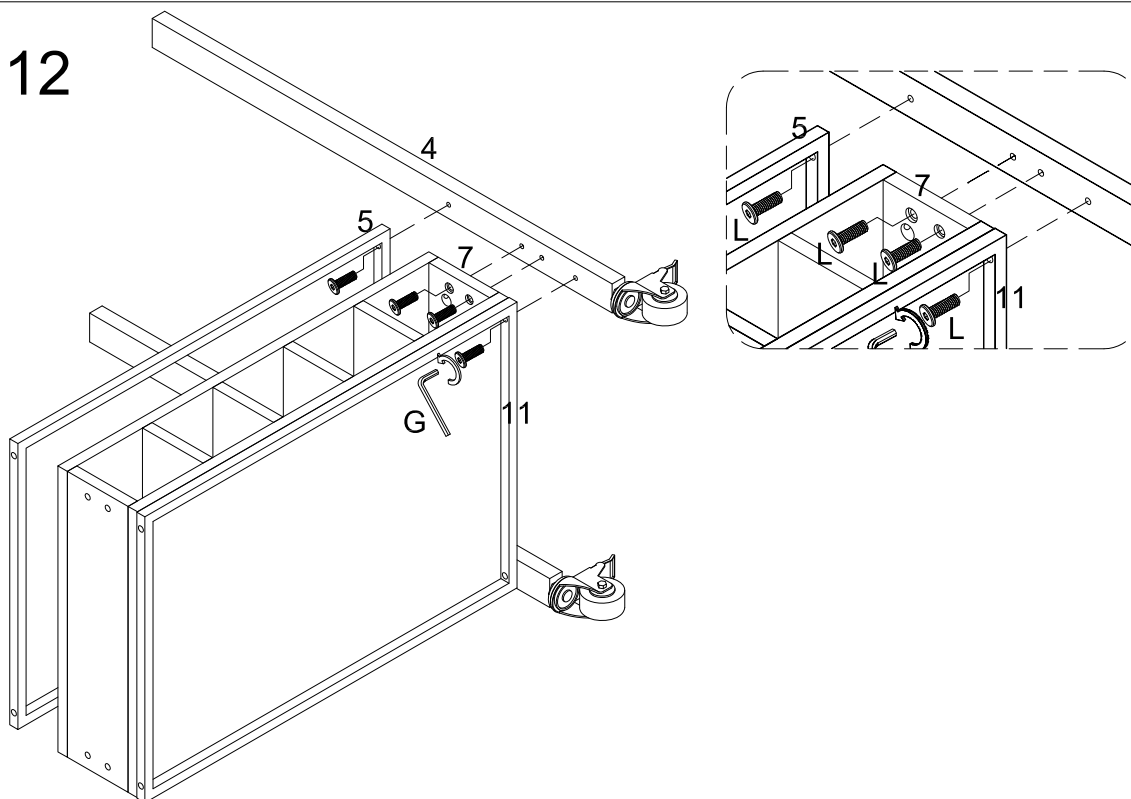
Attach part (7) to part (4) using bolt (L) with hex key (G).

Step 11



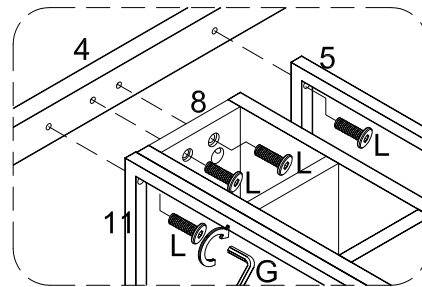
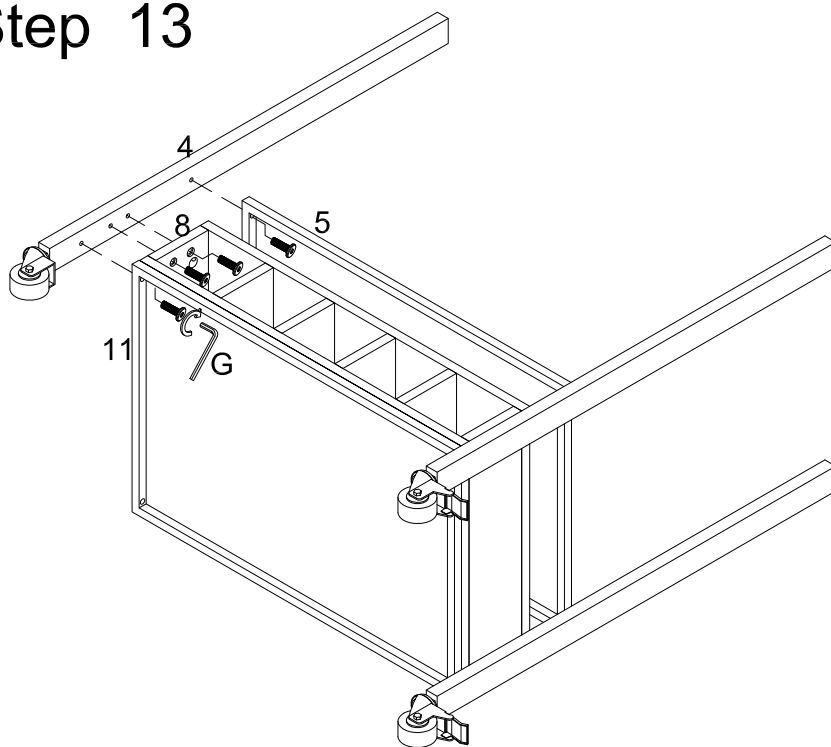
Attach part (5) to part (4) using bolt (L) with hex key (G).

Step 12



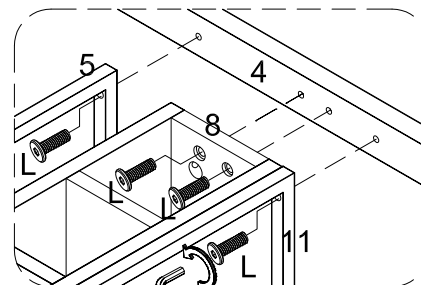
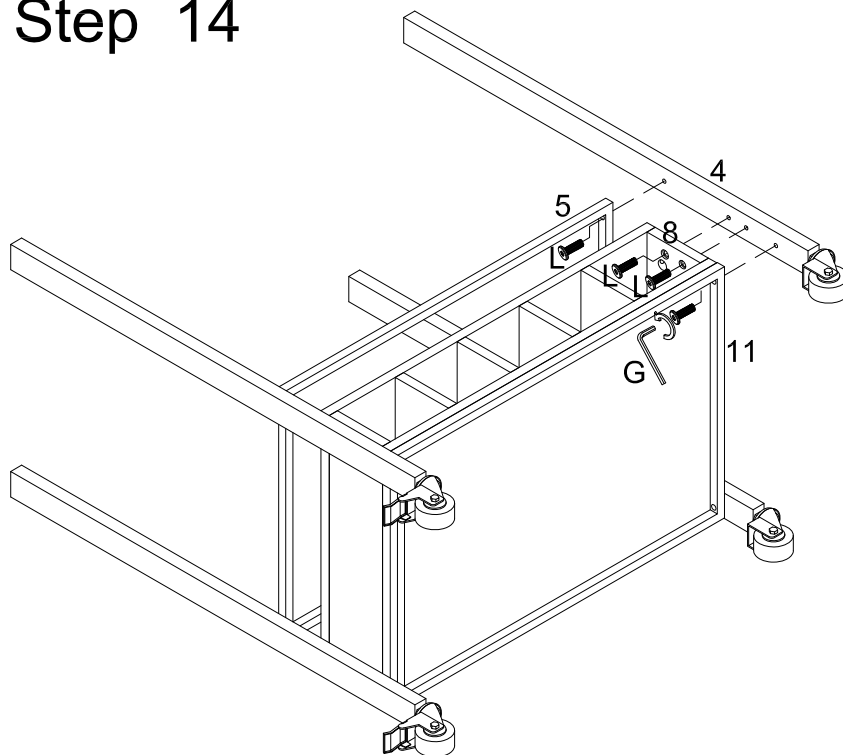
Attach part (5,7,11) to part (4) using bolt (L) with hex key (G).

Step 13



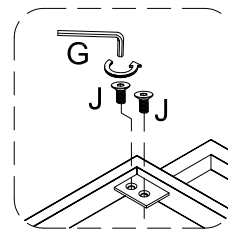
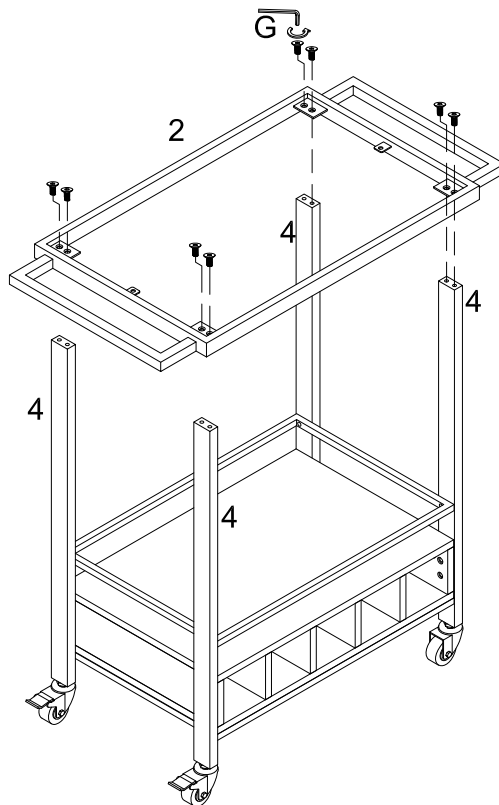
Attach part (5,8,11) to part (4) using bolt (L) with hex key (G).

Step 14



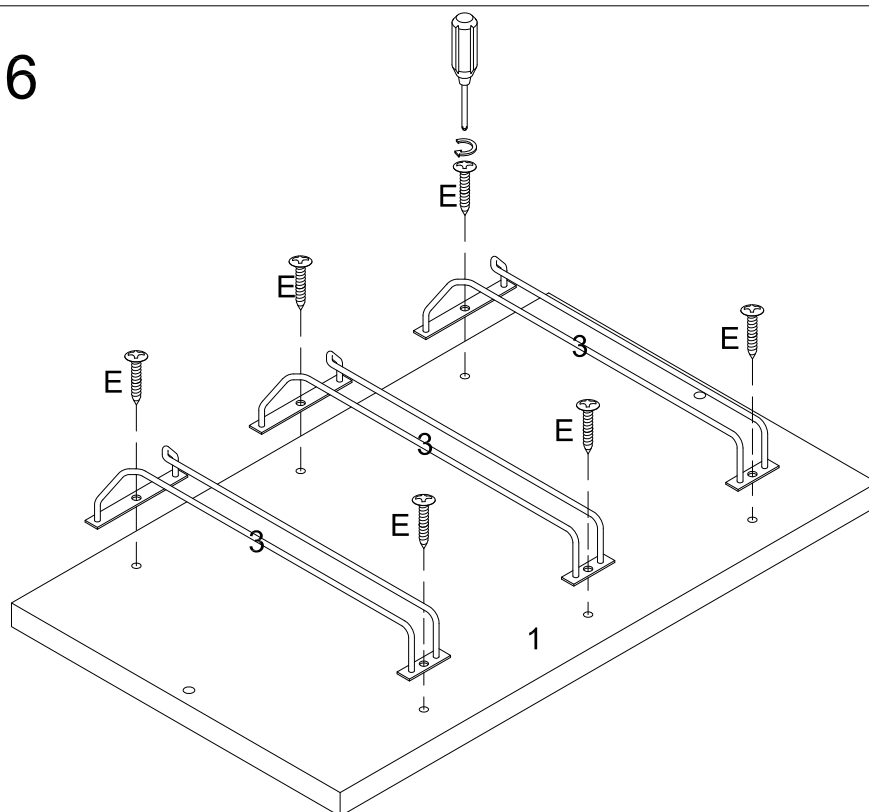
Attach part (5,8,11) to part (4) using bolt (L) with hex key (G).

Step 15



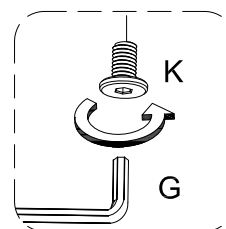
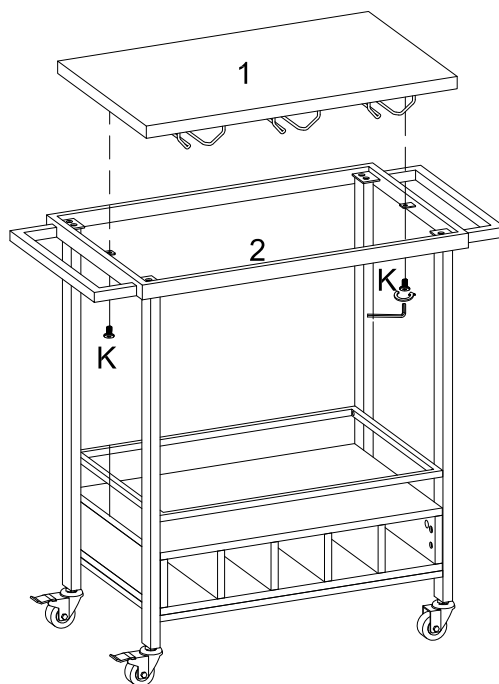
Attach part (2) to part (4) using bolt (J) with hex key (G).

Step 16



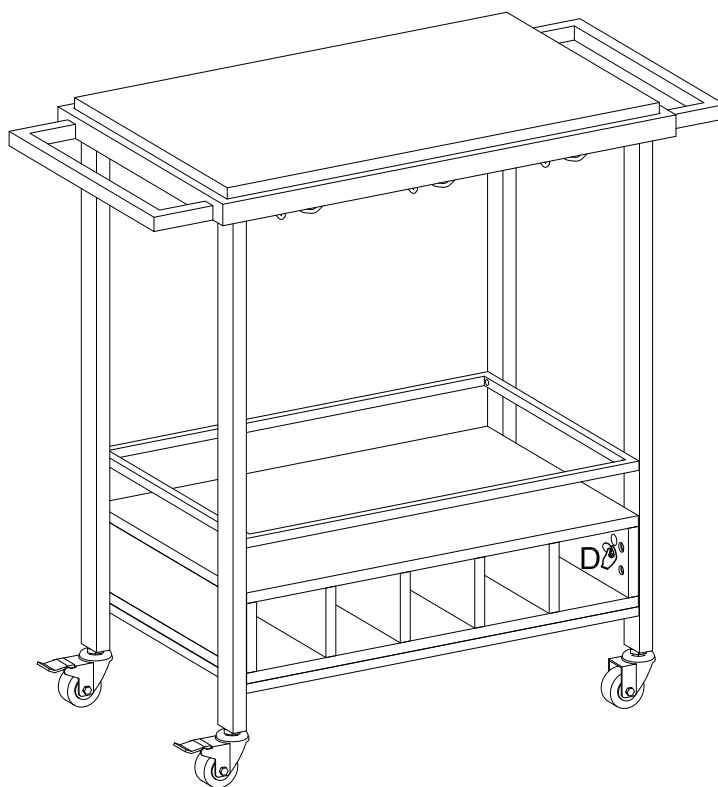
Attach part (3) to part (1) using screw (E) with screwdriver.

Step 17



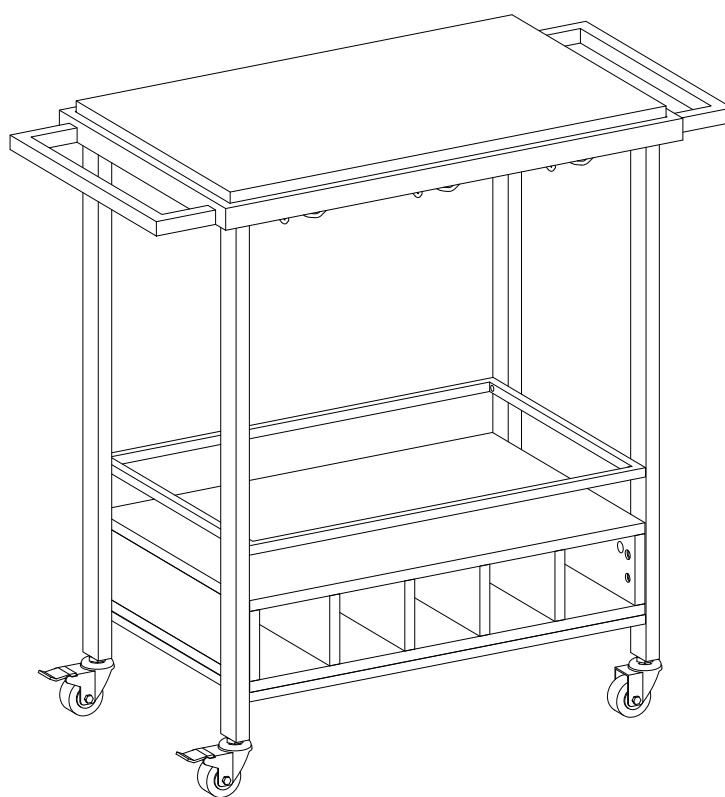
Attach part (1) to part (2) using bolt (K) with hex key (G).

Step 18



Place sticker (D) over holes as per diagram.

Step 19



Final Assembly