

FOR WIRELESS CHARGING TABLE LAMP

CAUTION: TURN POWER OFF BEFORE BEGINNING INSTALLATION.

NOTE :Only the qualified technician can be allowed to fix and maintain.

IMPORTANT!

Make sure that the power is switch off at the electricity mains supply before commencing work.

CLEANING CARE

- Clean with a soft dry cloth.
- **SAFETY INFORMATION!**
- Do not touch the bulb with bare hands. Always switch off the electricity.

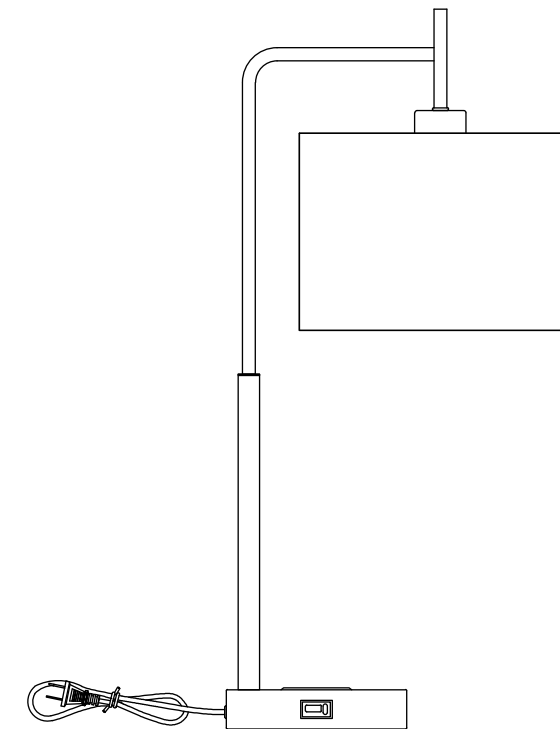
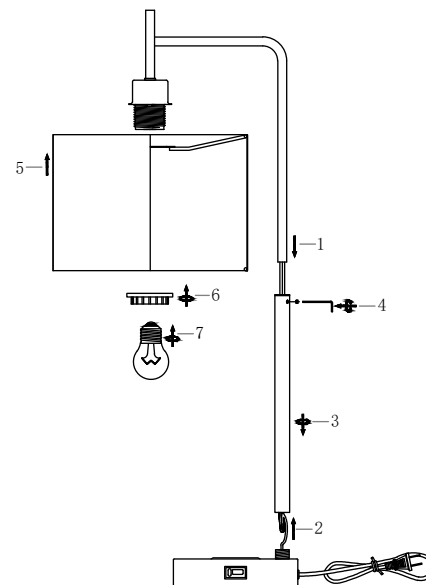
REPLACEMENT BULB

- USE MAX 40W OR SMALLER TYPE A LAMP
- OR MAX 13W SELF-BALLASTED LAMP

FIXING INSTRUCTIONS

See Illustrations as below

1. Put the metal arm into the stem
2. Connect the stem to the base
3. Turn the stem and tighten it
4. Fix the whole metal tube with screws
5. Put the lampshade into the lampholder
6. Secured the lampshade by the lampholder nut
7. Install the bulb (Not included)



Wireless Charging Table Lamp