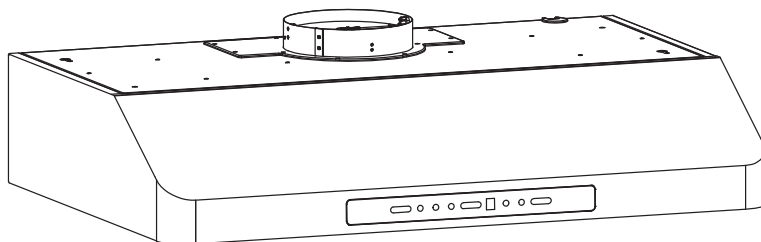


# Wall-Mounted Range Hood

Instruction for Installation and Use

# EVERKITCH



**Model No.: EVK243-30**

Important! Read these instructions for installation and use carefully.  
Keep these instructions for future reference.

# Read And Save These Instructions

## Warning

1. Before servicing or cleaning the unit, unplug or disconnect the range hood from the power supply.
2. To reduce the risk of a range top grease fire:
  - A. Never leave surface units unattended at high settings. Over-boiling causes smoke and greasy spillovers that may ignite. Heat oils slowly on low or medium settings.
  - B. Always turn hood ON when cooking at high heat or when flambing food(i.e. Crepes Suzette, Cherries Jubilee, Peppercorn Beef Flambe).
  - C. Clean the filters frequently. Grease should not be allowed to accumulate on the filters.
  - D. Use proper pan size. Always use cookware appropriate for the size of the surface element.
3. To reduce the risk of injury to persons in the event of a range top grease fire, observe the following:
  - A. Smother flames with a close-fitting lid, cookie sheet, or metal tray, then turn off the burner. Be careful to prevent burns. If the flames do not extinguish immediately. Evacuate and call the fire department.
  - B. Never pick up a flaming pan. You may be burned.
  - C. Do not use water, including wet dishcloths or towels, a violent steam explosion will happen.
  - D. Use an extinguisher only if:
    - 1) You know you have a class ABC extinguisher, and you already know how to operate it.
    - 2) The fire is small and stayed in the area where it started.
    - 3) The fire department has been called.
    - 4) You can fight the fire and have a way to an exit.
4. To reduce the risk of fire or electric shock, do not use this fan with any solid-state speed control device.
5. To provide protection against electric shock, connect to properly grounded outlets only.

**Caution:** For general ventilating use only. Do not use to exhaust hazardous or explosive materials and vapors.

## Product Specification & Technical Parameters

Model No.	EVK243-30
Rated Voltage	120V/60Hz
Current	1.7A
Light Power	LED 2*2W
Motor Power	90W*2
Total Power	184W
Air outlet diameter	6"Top / 3 1/4"x 10" Retangular Top/ 3 1/4"x 10" Retangular Rear

# Recommendations And Suggestions

## Installation

- The manufacturer will not be held liable for any damages resulting from incorrect or improper installation.
- Please read this instruction manual before installing and using this range hood. Please keep this instruction manual in a safe place for future reference.
- Only a qualified and trained service technician can undertake the work of installation and servicing.
- Check that the main voltage corresponds to the one indicated on the rating plate fixed inside the hood.
- If the hood is used in conjunction with non-electrical appliances(e.g. gas burning appliances), a sufficient degree of ventilation must be guaranteed in the room in order to prevent the backflow of exhaust gas. The kitchen must have an opening directly connected with the open air in order to guarantee the entry of clean air.
- The minimum distance is 24" from the range hood to a cooker including gas range and electric range. For RV use, please make the minimum distance to be 16" from the range hood to a cooker including gas range and electric range.

**Notice:** Two or more people are required to install or move this appliance. Failure to do so can cause physical injuries.

## Use

- The range hood has been designed only for domestic need to eliminate kitchen fumes.
- Never use the hood for purposes other than those for which it was designed.
- Never leave high open flames under the hood when it is in operation.
- Adjust the flame intensity to direct it onto the bottom of the pan only; making sure that it does not engulf the pan sides.
- Deep fat fryer must be continuously monitored during use: overheated oil can burst into flame.
- The hood should not be used by children or persons who are not instructed in its correct use.

## Maintenance

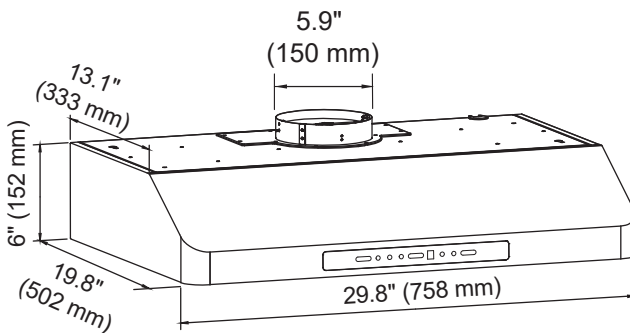
- Proper maintenance of the range hood will assure proper performance of the unit.
- Disconnect the hood from the main power supply before carrying out any maintenance work.
- Clean and/or replace aluminum grease filters and activated charcoal filters after specified period of time.
- Clean the hood using a damp cloth and a neutral liquid detergent.
- Disposal: Do not dispose this product as unsorted municipal waste. Collecting such waste separately for special treatment is necessary.

## Warning

- In certain circumstances electrical appliances may be a danger cause.
- Do not check the status of the filters while the range hood is operating.
- Do not touch the light bulbs while the range hood is operating.
- Do not disconnect the appliance with wet hands.
- To reduce the risk of fire or electric shock, do not use this fan with any solid-state speed control device.

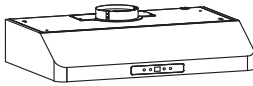
- Control the flame, or it may cause a fire hazard and do damage to the filters.
- Constantly check frying food to prevent the overheated oil from becoming a fire hazard.
- Disconnect the electrical plug prior to any maintenance or servicing.
- Children cannot recognize the risks of electrical appliances. Therefore, children can only use the appliance under supervision of adults. And it's better to keep this appliance out of the reach from children.
- To reduce the risk of fire, electric shock, or injury to persons, observe the following:
  - a) Installation work of the appliance and electrical wiring must be done by qualified person(s) in accordance with all applicable codes and standards, including fire-rated construction requirements.
  - b) Sufficient air is needed for proper combustion and exhausting of gases through the flue (chimney) of fuel burning equipment to prevent the backflow of exhaust gas.
  - c) When cutting or drilling into wall or ceiling, do not damage electrical wiring and other hidden utilities.
  - d) Ducted fans must always be vented to the outdoors.
- Don't use this product outdoors.
- This appliance is not intended for use by persons(including children) with reduced physical, sensory or mental capabilities, or lack of experience and knowledge, unless they have been given supervision or instruction, concerning use of the appliance by a person responsible for their safety. Children should be supervised to ensure that they do not play with the appliance.
- There shall be adequate ventilation of the room when the range hood is used at the same time with appliances burning gas or other fuels.
- There is a fire risk if cleaning is not carried out in accordance with instructions.
- The exhaust air must not be discharged into a flue which is used for exhausting fumes from appliances burning gas or other fuels.

## PRODUCT SIZE CHART



EVK243-30

# COMPONENTS



[ 01 ]



[ 02 ]



[ 03 ]



[ 04 ]

PART	Description	Qty.
01	Range Hood	1
02	Damper 3 1/4" X 10"	1
03	Back damper 3 1/4"x10"	1
04	Top vent cover plate	1
05	ST4.2 x 38 Screw	6
06	3/8" Anchor	2

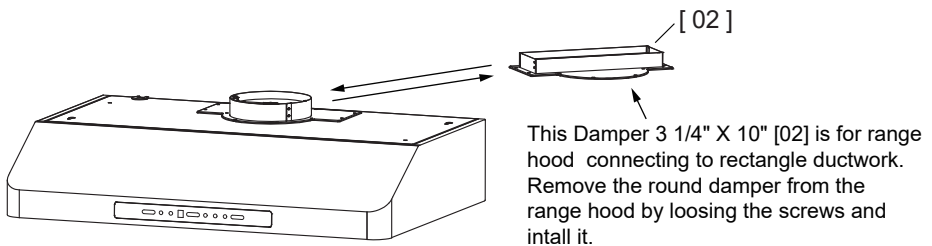
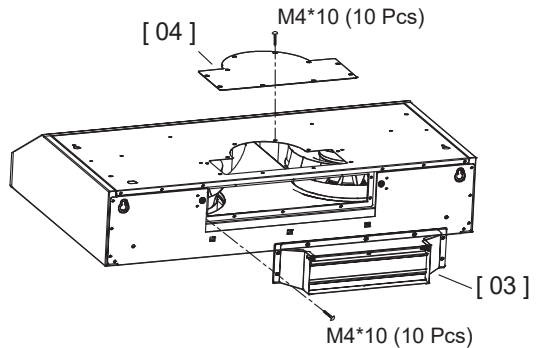


[ 05 ]



[ 06 ]

In the rear air outlet seat installation mode, remove the upper round air outlet seat and seal the cover on the top; Install the rear air outlet seat as shown.

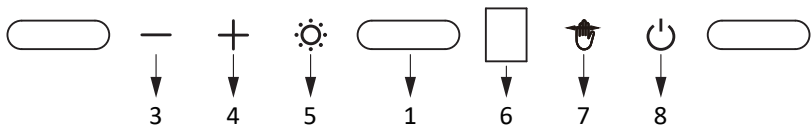


Thank you for purchasing an EVERKITCH Range Hood. Please read and follow the installation and operation instructions carefully, to ensure the long life and reliable operation of this appliance. Failure to do so could cause property damage, serious injury or death. Please keep this manual for future reference.

# Installation & Use

## OPERATION OF CONTROLS

The control panel is shown below:



This appliance features gesture control:

- 1- Light on/off gesture control sensor
- 2- Fan speed gesture control sensors

The control panel is equipped with touch controls: Control functions are described below:

- 3- Speed down
- 4- Speed up
- 5- Light control. It has 2 level of brightness.
- 6- Display
- 7- Gesture control on/off
- 8- Power on/off

When you plug in the appliance to power, it will emit a short beep and all sensors will light for a brief moment.

Press **+** to increase the fan speed step by step with display showing 1/2/3/4.

Press **-** to decrease the fan speed step by step with display showing 3/2/1/0.

Press **☀** to control the light. It has 2 level of brightness. Touch it for the first time, it's with full brightness. Touch it for the second time, it's with less brightness. Touch it for the third time, the light will be off.

Press **⏻** to control the power on/off.

### **Off-Timer**

When the range hood is on, long press **⏻** for 3 seconds to activate power-off delay timer. The **⏻** flashes during countdown. After 5 minutes, the light and motor turn off automatically.

Press **⏻** during countdown will turn off the range hood. Press **-** or **+** during countdown to end the countdown and back to normal.

## Gesture control

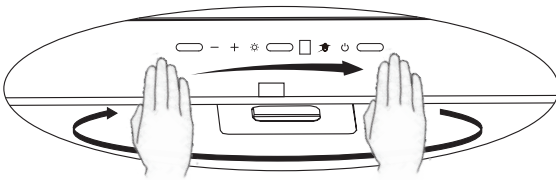
Touch  to turn gesture control on/off.

You can use gestures to control the fan speed and lighting. When gesture control is active, you can also control the appliance using the touch sensors.

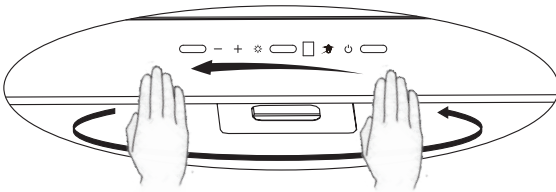
Gesture control works correctly when you move your open hand about 3 to 10 cm from the surface of the control panel.

Note: When controlling the fan speed, the hand motion must cover both motion sensors (Item 2, or the hand must be stationary within the light control sensor (Item 1).

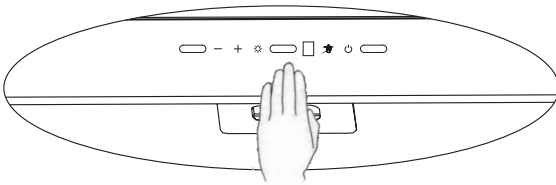
If activating a certain function (such as fan speed 3) requires multiple hand gestures, reposition your hand for another gesture away from the control panel to avoid triggering the motion sensors). Hand movements must not be too fast. Preferably, a single gesture should take about 1 second.




To turn on the fan or increase fan speed, move your hand from left to right several times. With hand movement, current fan speed will show on the display.



To turn off the fan or reduce fan speed, move your hand from right to left several times until display showing 1. Move your hand one more time, and the fan will turn off (gesture control will still be active)



To turn the lighting on or off, position your hand near the centre of the control panel (under the sensor labelled 1) for about 2 seconds. The  symbol will light up.

There's 2 levels of brightness. Do it the first time, it will be with full brightness.

Do it with the second time, it will with less brightness.

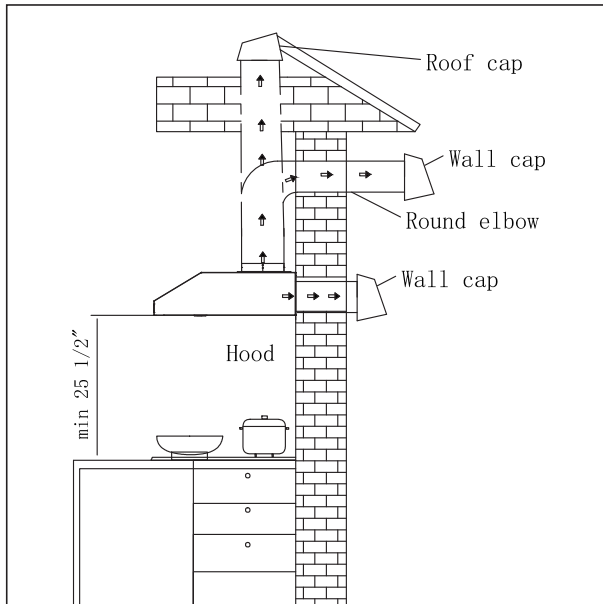
Do it with the third time, it will turn off.

## Grease Filters

The grease filters should be cleaned frequently. Use a warm detergent solution. Grease filters are washable.

## Install The Ductwork(Ducted Hoods Only)

1. To reduce the risk of fire, use only metal ductwork.
2. Decide where the ductwork will run between the hood and the outside.
3. A straight, short duct run will allow the hood to perform most efficiently.
4. Long duct runs, elbows, and transitions will reduce the performance of the hood. Use them as few as possible. Larger ducting may be required for best performance with longer duct runs.
5. The air must not be discharge into a flue that is used for exhausting fumes from appliances burning gas or other fuels. Regulations concerning the discharge of air have to be fulfilled.
6. Install wall cap. Connect round metal ductwork to cap and work back towards hood location. Use duct tape to seal the joints between ductwork sections.



## Warning

1. To reduce the risk of fire, use only metal ductwork.
2. This appliance must be grounded. In the event of an electrical short circuit, grounding reduces the risk of electric shock by providing an escape wire for the electric current. This appliance is equipped with a cord having a grounding wire with a grounding plug. The plug must be plugged into an outlet that is properly installed and grounded.

**Warning:** Improper grounding can result in a risk of electric shock. Consult a qualified electrician if the grounding instructions are not completely understood or if doubt about whether the appliance is properly grounded exists. Do not use an extension cord. If the power supply cord is too short, have a qualified electrician install an outlet near the appliance.

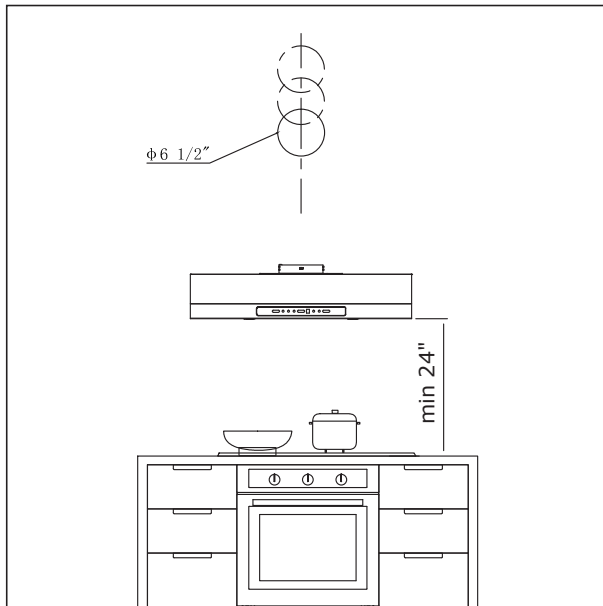
**Caution:** To reduce risk of fire and to properly exhaust air, be sure to duct air outside. Do not vent exhaust air into spaces within walls or ceilings or into attics, crawl spaces, or garages.

## Install The Hood

Note 1: On stainless steel hoods, carefully remove the plastic protective film from all exterior surfaces of the hood and chimney prior to final installation.

Note 2: At least two people will be required to mount the hood.

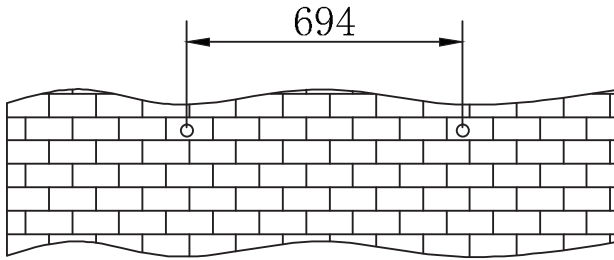
Minimum hood distance above the cooker must not be less than 24".



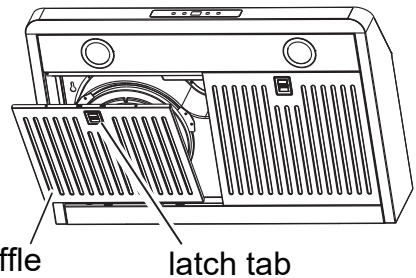
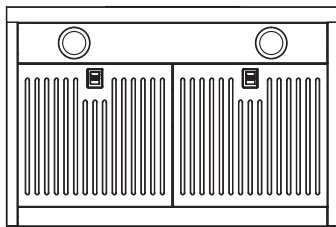
Step 1: Decide the height that you would like to hange the range hood. Measure the distance for the hanging holes as below photo and mark the position.

Drill holes on the position and insert 3/8" anchors. And then drive 2 screws ST4.2 x 38 in it.

**Note: Please make sure there is wood framing behind the screw holes. Anchors are for dra wall or cement wall. Drive screws directly into the wood framing.**

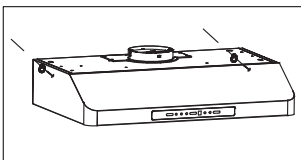


Step 2: Take out the filters. Please refer to below photos.

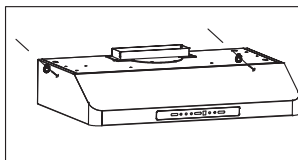


Step 3: Decide the vented mode to fit your home use. And then fit with the needed damper as below photo. There are 3 types vented as below:

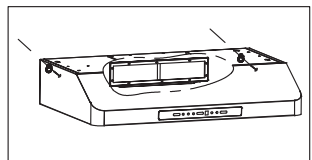
a. Top Round Vented



b. Top Rectangular Vented

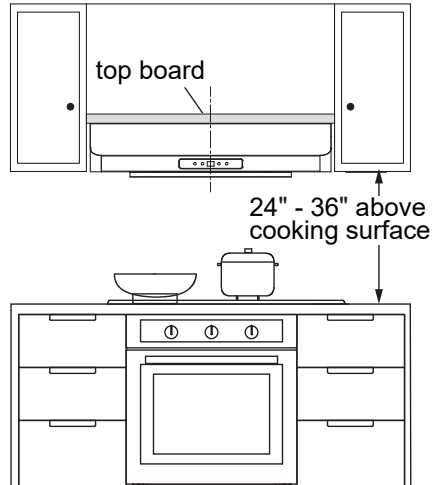
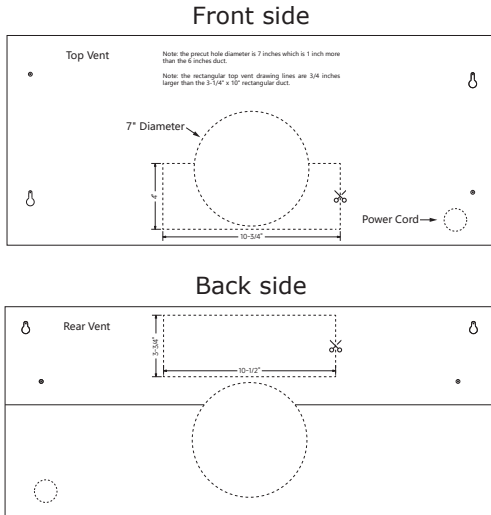


c. Back Rectangular Vented

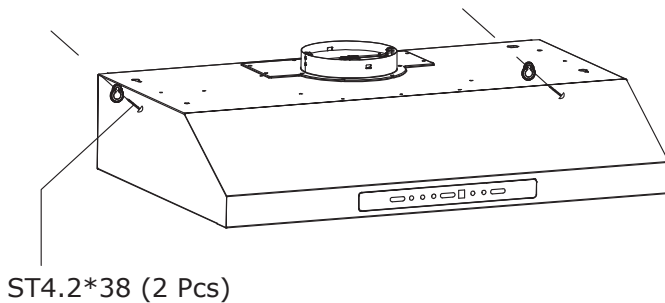


Step 4: There's a installation cutting hole cardboard in the box. Please follow the instruction for your vented mode needed and cut the hole size on the cabinet as indicated on the cardboard.

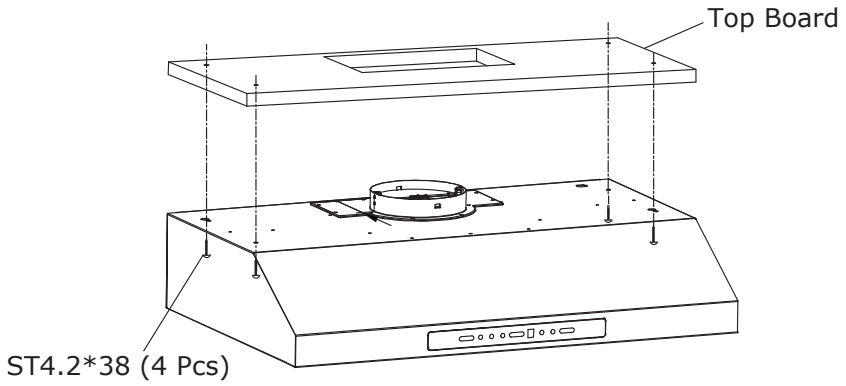
When you finish the cutting, please try to fit it with the damper to see if it's big enough.



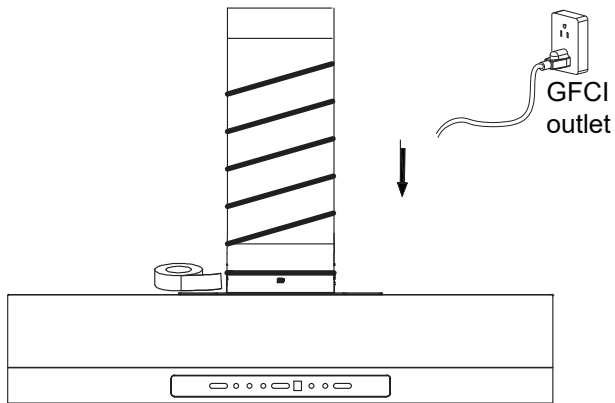
Step 5: Hang the range hood on the 2 screws you fix on the wall in step 1. Please make sure it's even and horizontal.



Step 6: Fix the hood body to the top board with 4 screws ST4.2x38 from inside. Please refer to below photo.



Step 7: Fix the duct to the air outlet with the duct tape. And make the electrical collection. Then the installation is done.



# CLEANING AND MAINTENANCE

## **WARNING**

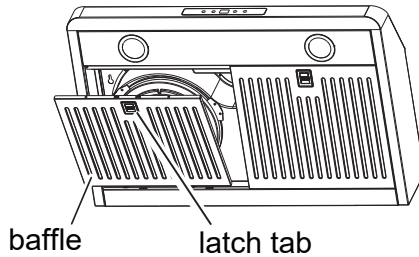
Always disconnect the power source before working on the range hood. Proper maintenance of the Range Hood will assure proper performance of the unit.

### MOTOR

The motor is permanently lubricated and never needs oiling. If the motor bearings make excessive or unusual noise, replace the blower. It's important to use the exact same blower for optimal performance.

### BAFFLE

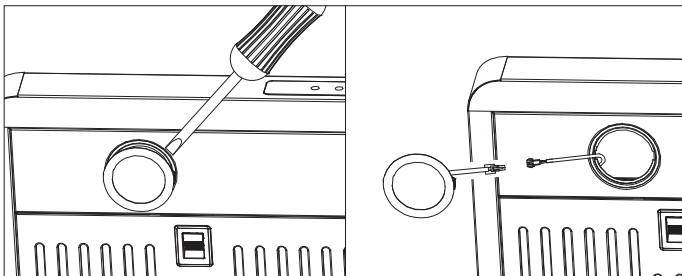
The baffles and should be cleaned frequently. Use a warm dishwashing detergent solution. They are washable. Remove baffles by pulling down on the metal latch tab. This will disengage the baffles from the hood. Tilt the baffles downward and remove.



### LED LIGHT

Make sure the range hood is unplugged or turn OFF breaker.

1. Gently pull the defective bulb assembly straight out from the edge using a slot screwdriver, and then disconnect the wires.
2. Connect the new LED bulb's wires and snap the new LED assembly into the housing hole.
3. Turn ON breaker/power and to test the range hood for operation.



# CLEANING AND MAINTENANCE

## STAINLESS STEEL CLEANING

- Regularly wash with clean cloth or rag soaked with warm water and mild soap or liquid dish detergent.
- Always clean in the direction of original polish lines.
- Always rinse well with clear water (2 or 3 times) after cleaning. Wipe dry completely.
- You may also use a specialized household stainless steel cleaner.
- DON'T Use any steel or stainless steel wool or any other scrapers to remove stubborn dirt.
- DON'T use any harsh or abrasive cleansers.
- DON'T allow dirt to accumulate.
- DON'T Let plaster dust or any other construction residues reach the hood. During construction/ renovation, cover the range hood to make sure no dust sticks to the stainless steel surface.
- DON'T use any cleaners that contain bleach, chloride, fluoride, iodide, bromide.
- DON'T use any combustible products for cleaning such as acetone, alcohol, ether, benzol, etc.

## TROUBLE SHOOTING

SYMPTOMS	POSSIBLE CAUSE	RECOMMENDED ACTIONS
Air is barely sucked in while the range hood is running.	The filter is clogged with grease.	Clean or replace the grease filter.
	The damper flaps can't be fully opened.	Remove the ductwork from the range hood and check the damper flaps.
	Too many elbows for the duct work or the duct work is too long.	Reduce the elbows to no more than 3 pieces. The length of the ductwork shouldn't longer than 40'.
The range hood will not turn on.	Power is not adequately supplied.	Make sure your power supply is on.
The range hood is making a rattling noise.	The motor is loose.	Turn off the power and remove the filter and check that all screws are secure and tight around the motor.
	The duct work connection is loose.	Turn off the power to the unit and check that the ductwork connection to the pipe is tight. Add duct tape if necessary.
	Something wrong with the damper.	Fix the damper. Replace it if needed.

# CIRCUIT DIAGRAM

