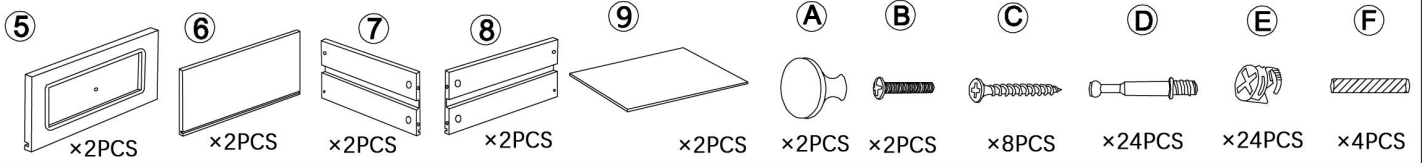
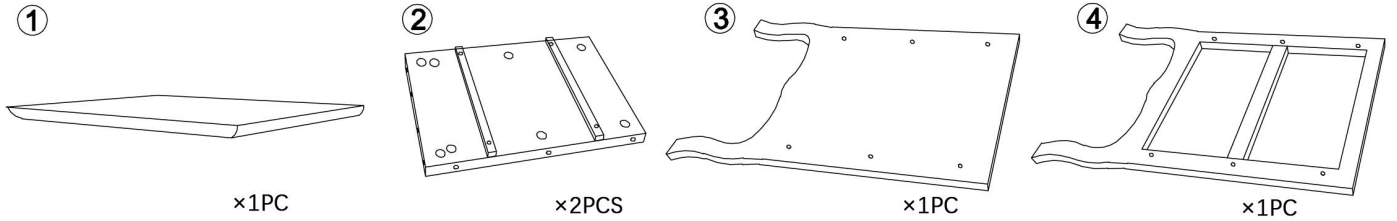
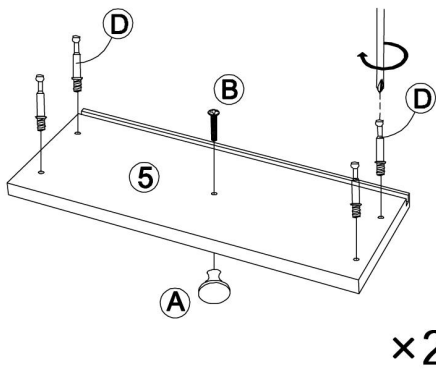


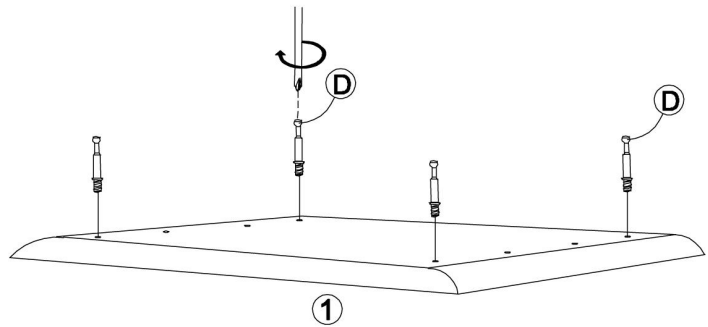
# ASSEMBLY INSTRUCTION



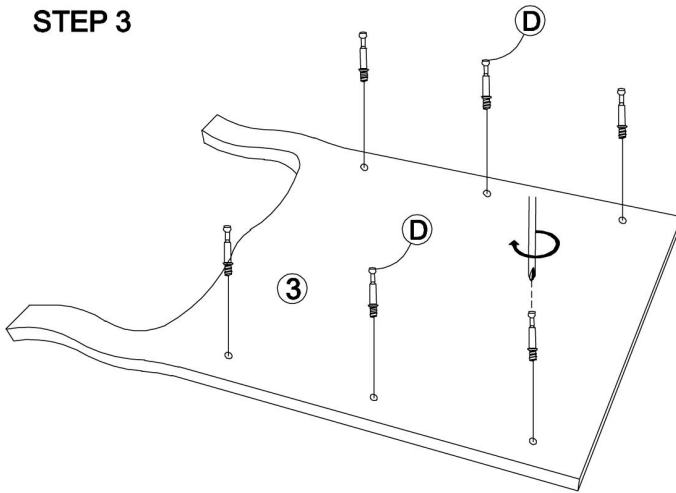
## STEP 1



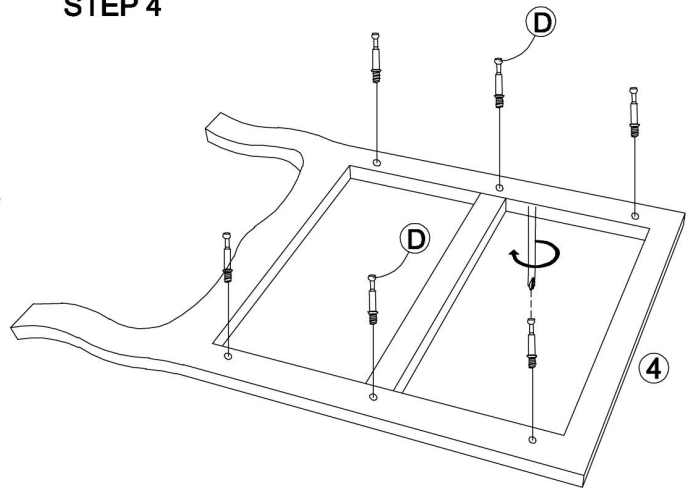
## STEP 2



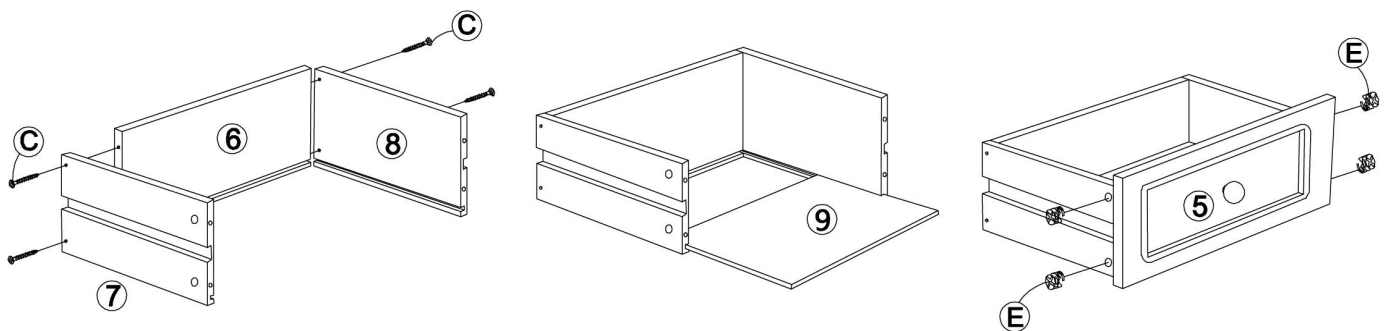
## STEP 3



## STEP 4

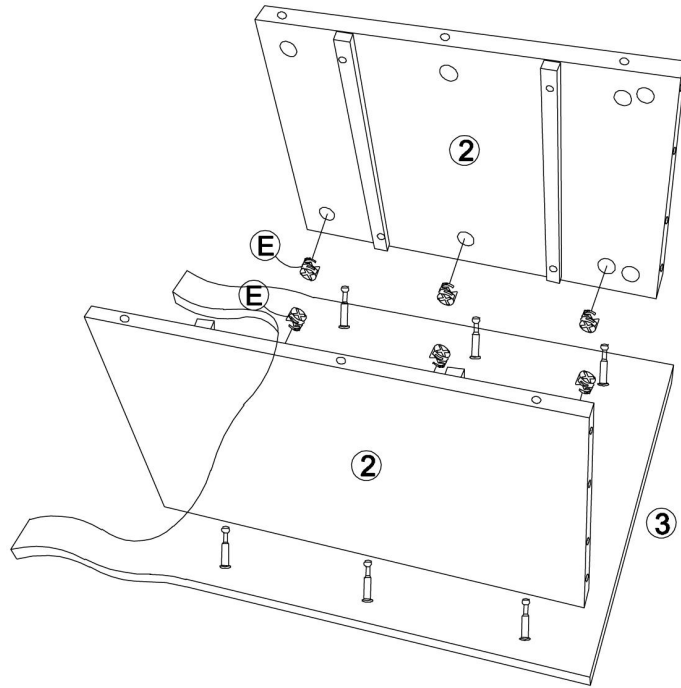


## STEP 5

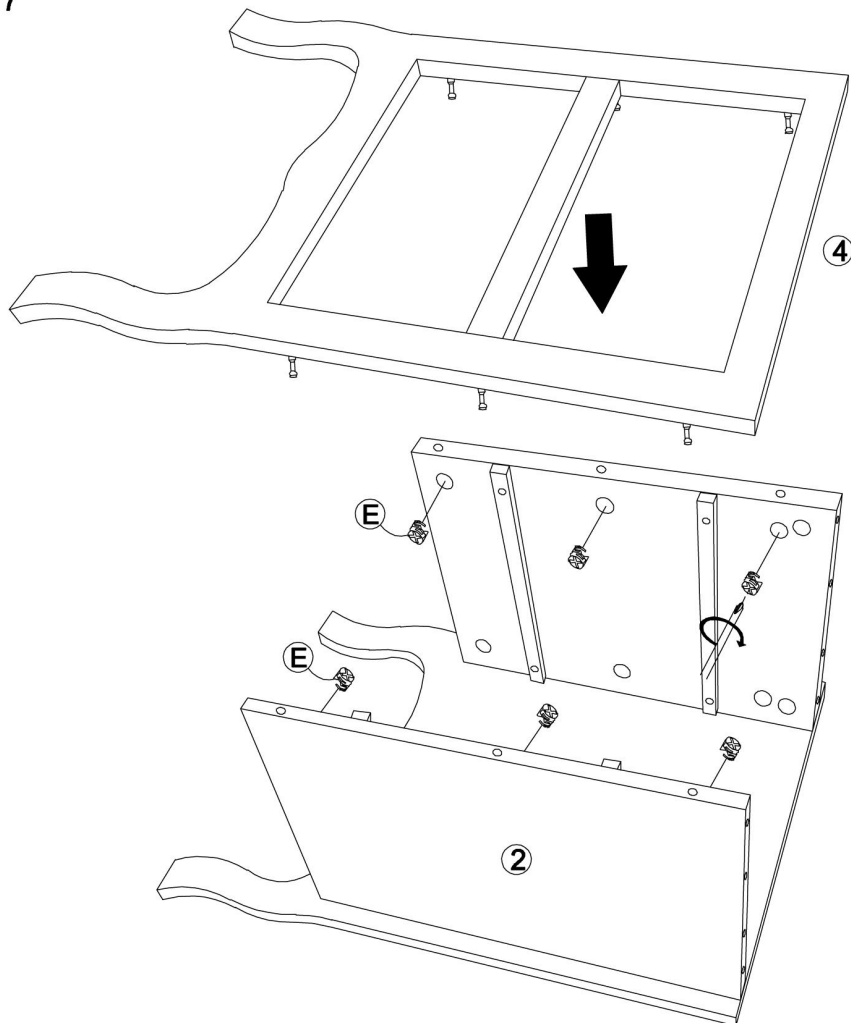


×2

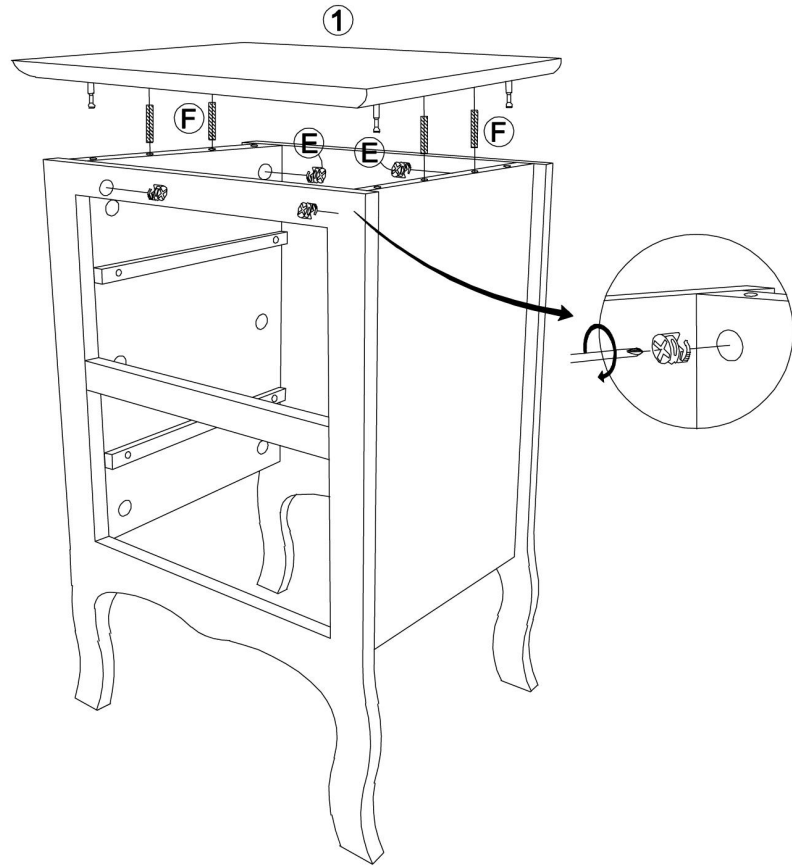
STEP 6



STEP 7



**STEP 8**



**STEP 9**

