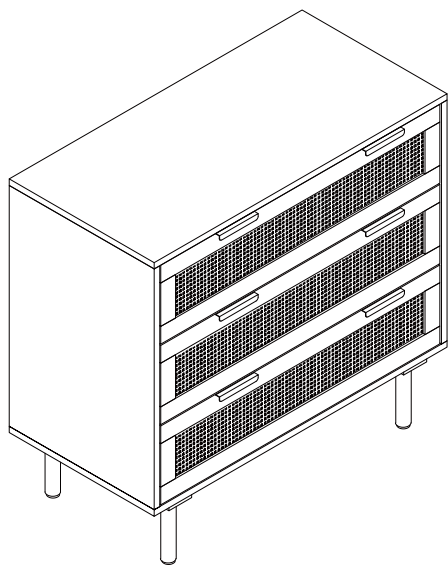


Rattan Drawer Dresser
USER MANUAL



 **WARNING:**

Please read this manual carefully before using the product. Failure to do so may result in serious injury.

ASSEMBLY PRECAUTIONS

1. Assemble only according to these instructions. Improper assembly can create hazards.
2. Wear ANSI-approved safety goggles and heavy-duty work gloves during assembly.
3. Keep the assembly area clean and well-lit.
4. Keep bystanders out of the area during assembly.
5. Do not assemble when tired or when under the influence of alcohol, drugs or medication.
6. The product capabilities apply to properly and completely assembled products only.
7. Assemble on a flat, level, hard and smooth surface capable of safely supporting the Rattan Drawer Dresser.
8. For additional information regarding the parts listed in the following pages, please refer to the Assembly Diagram of this manual. Unwrap and separate all parts in a clean work area.

SAVE THESE INSTRUCTIONS

USE PRECAUTIONS

TO PREVENT SERIOUS INJURY AND DEATH FROM TIPPING:

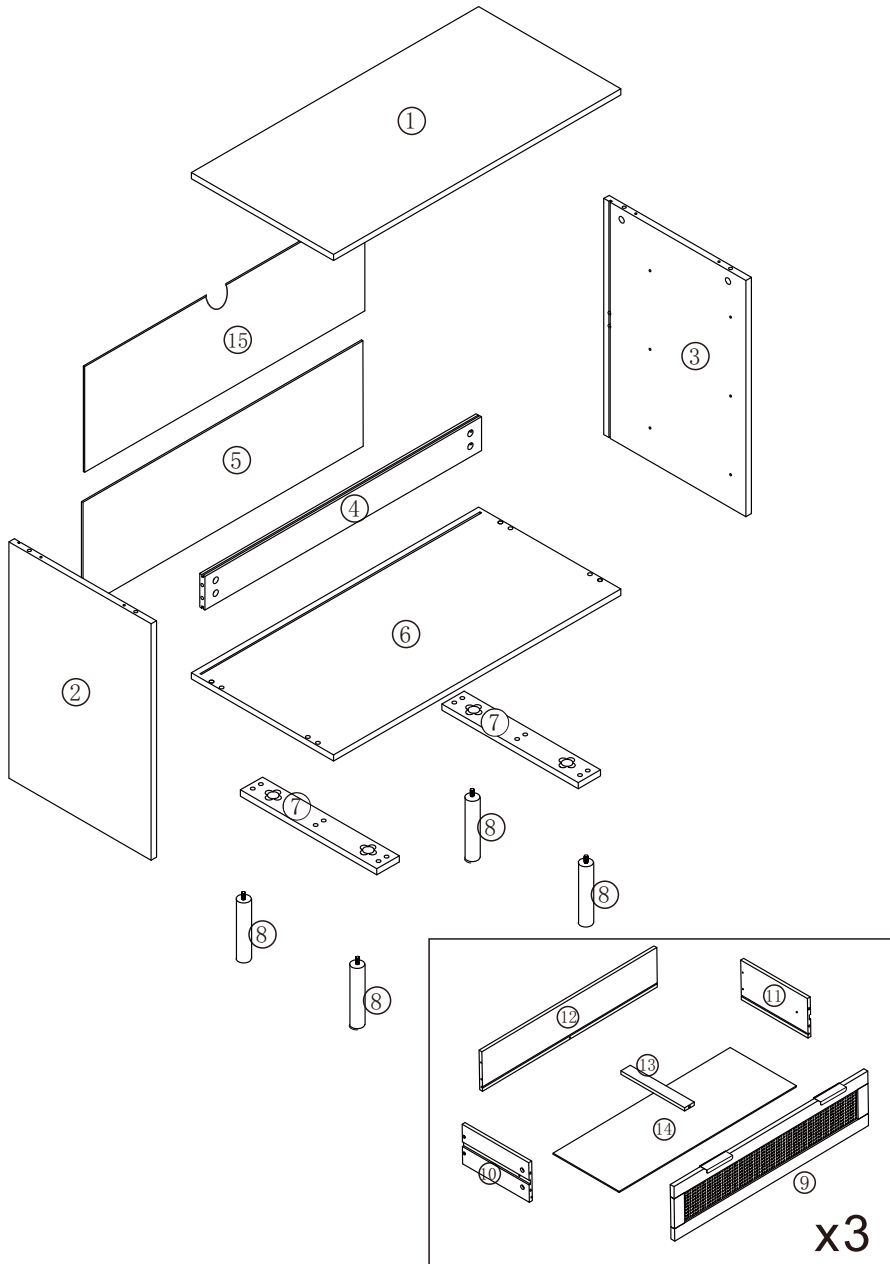
1. This product is not a toy Do not allow children to play with or near this item.
2. Do not exceed weight capacities, before moving.
3. Use only on a flat, hard and smooth surface capable of safely supporting a fully loaded Rattan Drawer Dresser.
4. Use as intended only.
Inspect before every use; do not use if parts are loose or damaged.

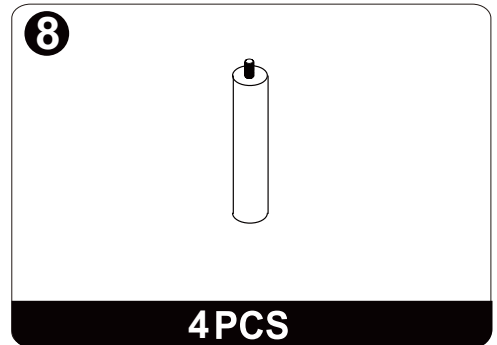
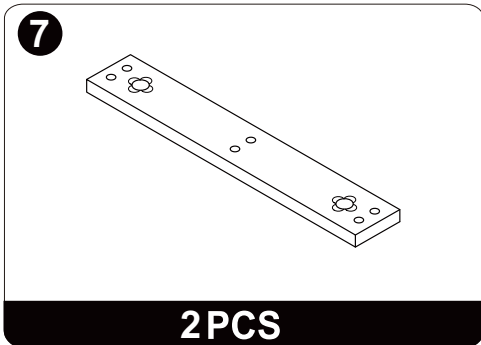
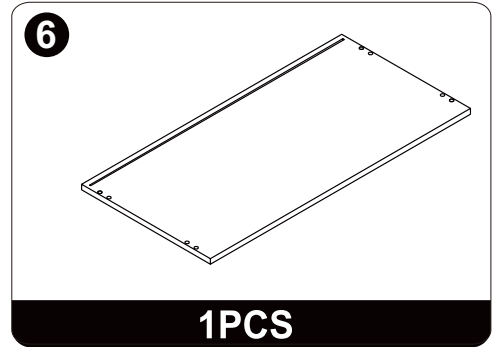
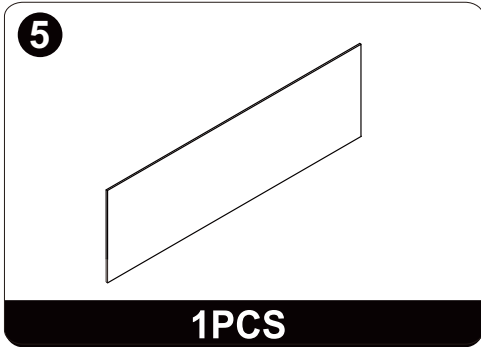
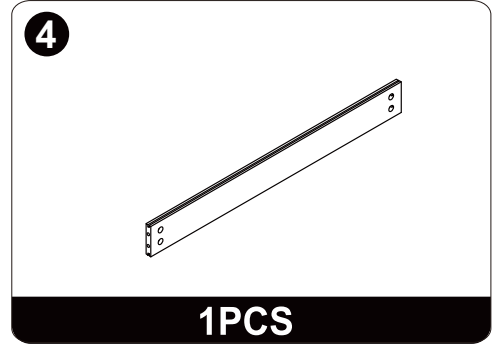
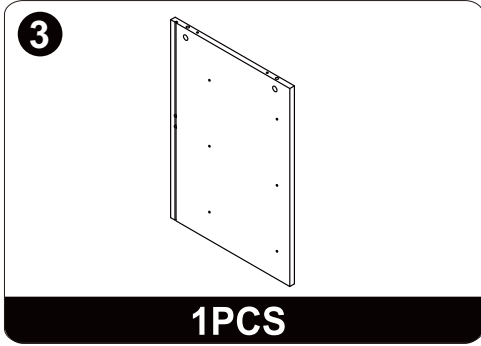
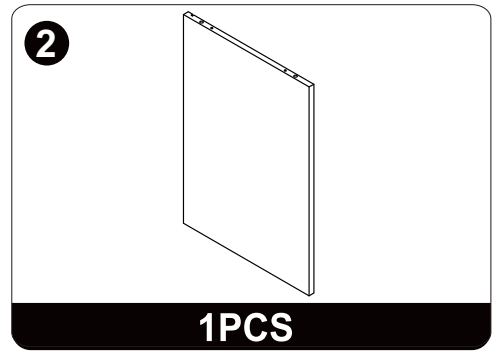
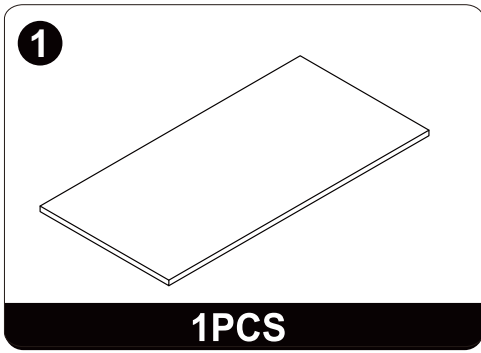
TECHNICAL SPECIFICATIONS

Model	SR191525-BK	SR191525-ND
Color	Black	Wood
Product Dimensions (LxWxH)(mm)	800*760*400	
Packing Size(LxWxH)(mm)	920*470*190	
Net Weight(kg)	About 23.57	
Gross Weight(kg)	About 25.5	

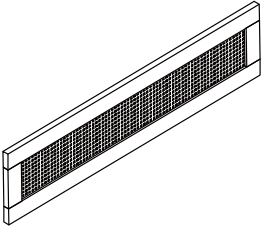
*Products such as specifications, appearance, and design are subject to modification without prior notice.

PACKAGE CONTENTS



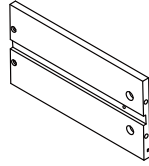


9



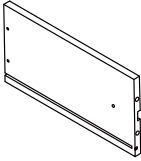
3PCS

10



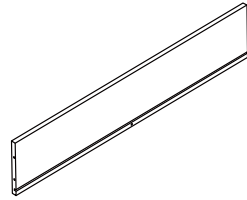
3PCS

11



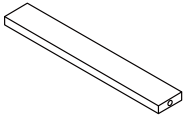
3PCS

12



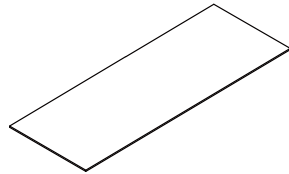
3PCS

13



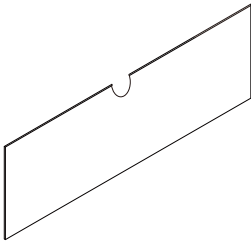
3PCS

14



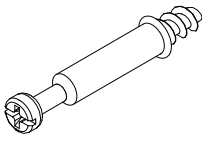
3PCS

15



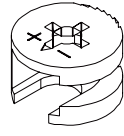
1PCS

A



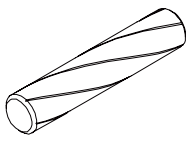
23 PCS

B



23 PCS

C



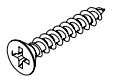
8 PCS

D



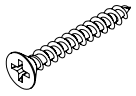
12 PCS

E



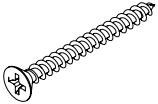
12 PCS

F



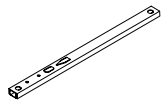
15 PCS

G



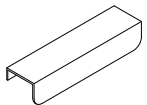
4 PCS

H



6 PCS

I



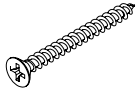
6 PCS

J



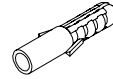
6 PCS

K



1 PCS

L



1 PCS

M



1 PCS

N



1 PCS

P



8 PCS

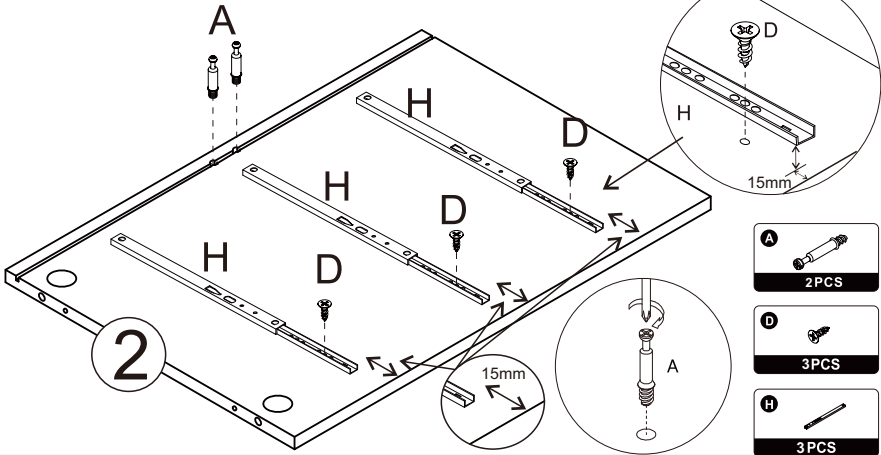
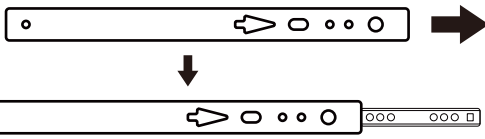
Q



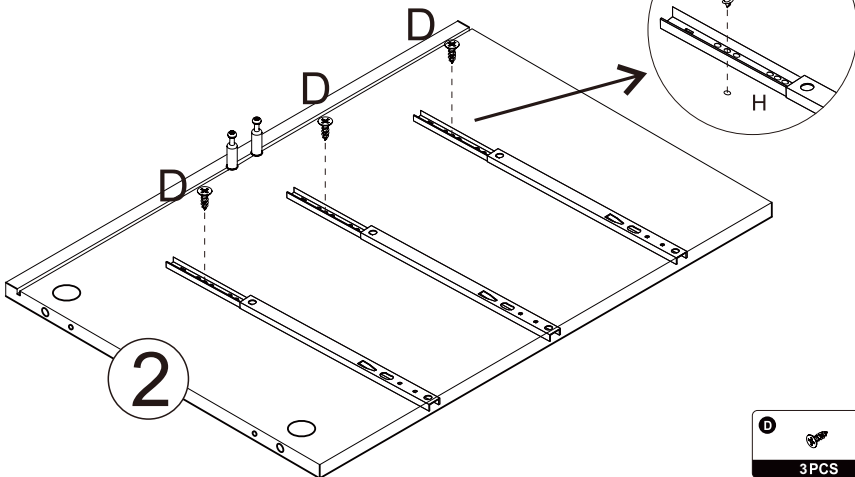
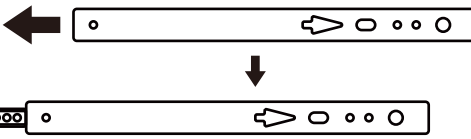
12 PCS

ASSEMBLY STEPS

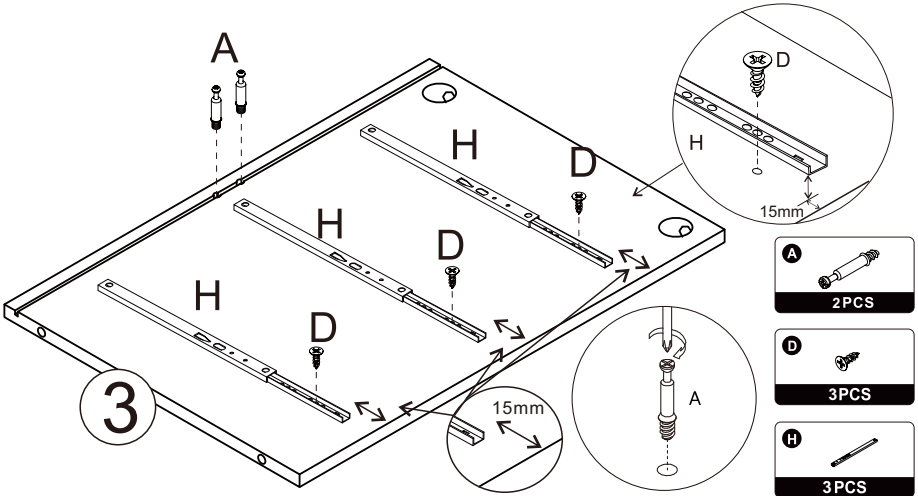
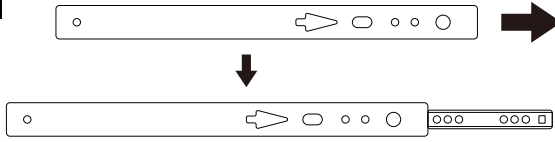
1



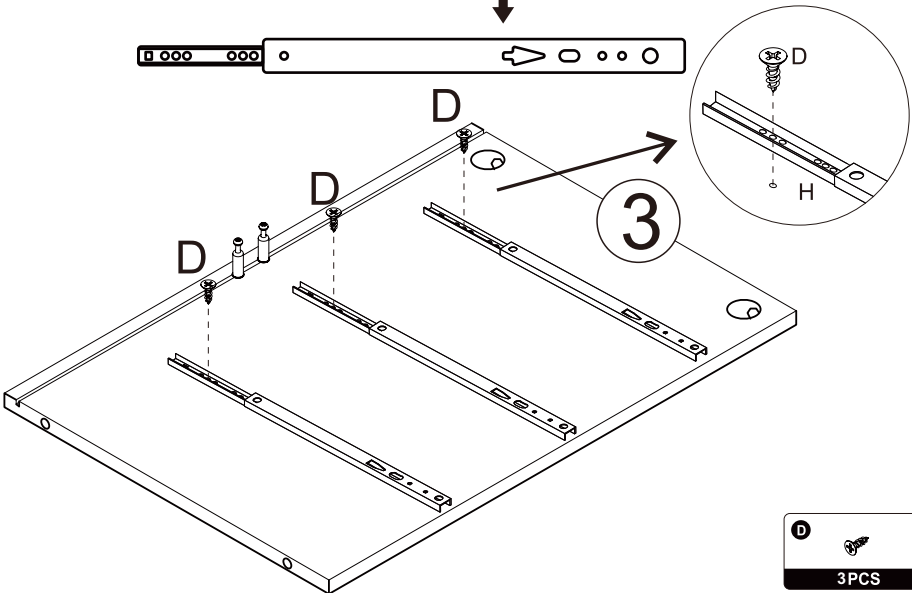
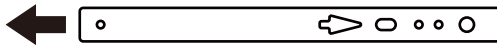
2



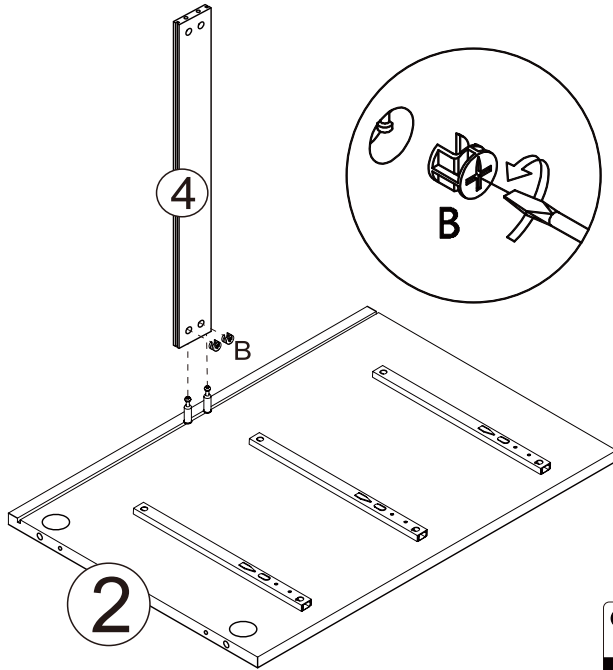
3



4

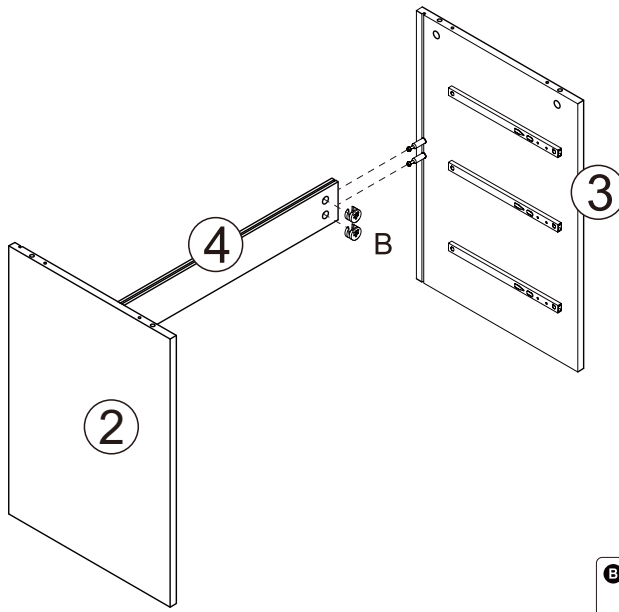



5



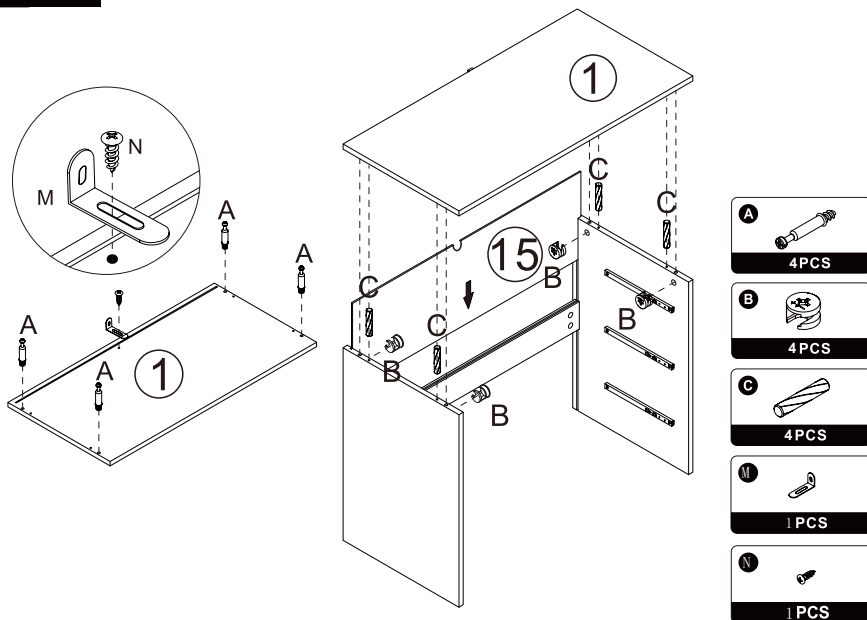
B 
2PCS

6

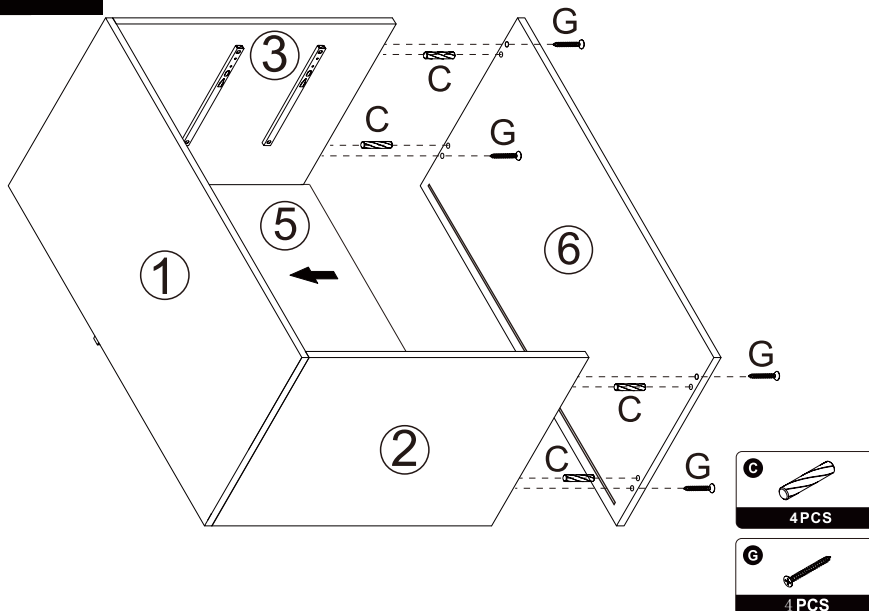


B 
PCS

7

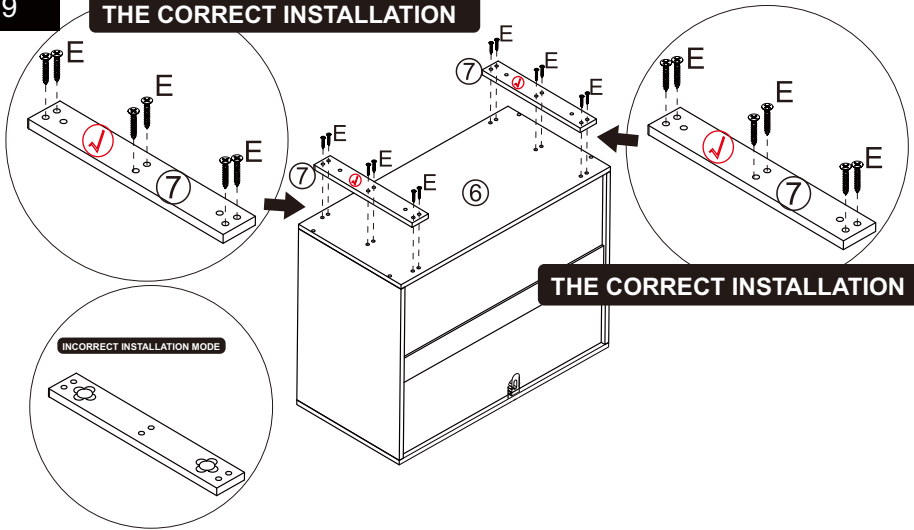


8



9

THE CORRECT INSTALLATION

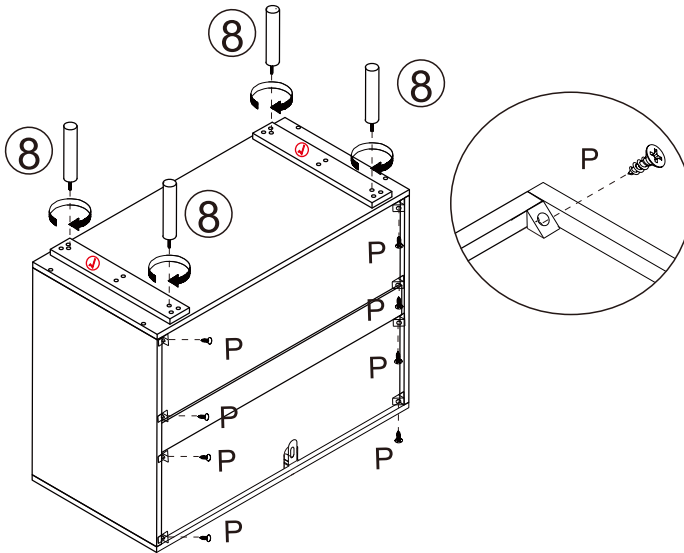


THE CORRECT INSTALLATION

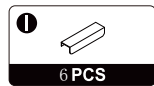
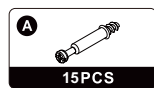
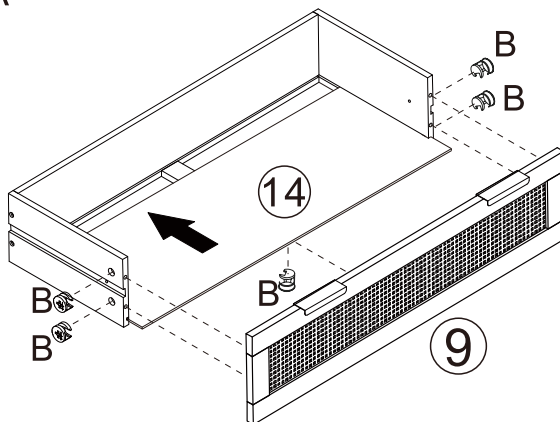
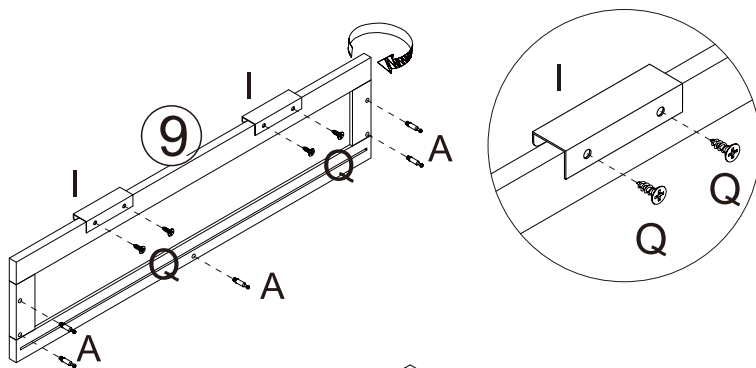
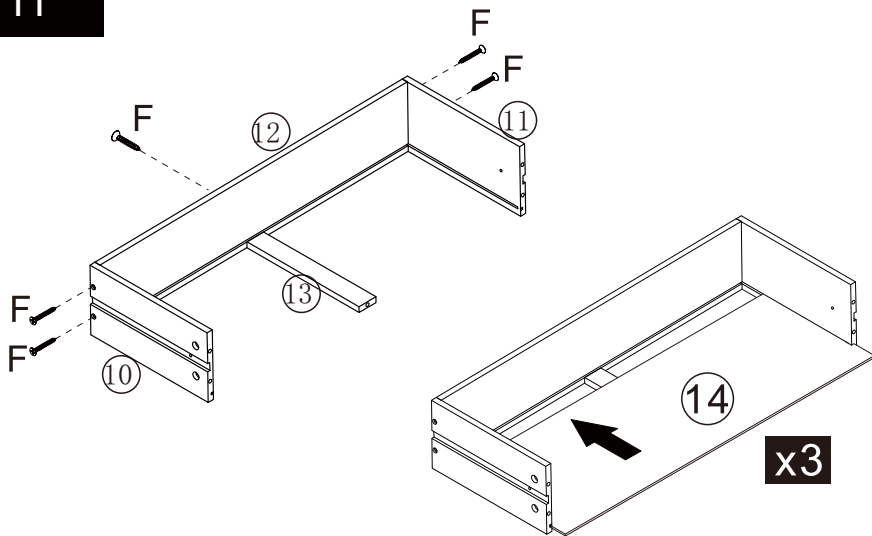
TTENTION: When you assemble the part 7 to the board 6 and see the ✓ facing your face, that means the direction of the part 7 is right.



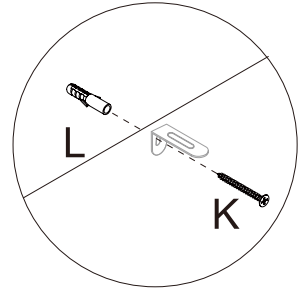
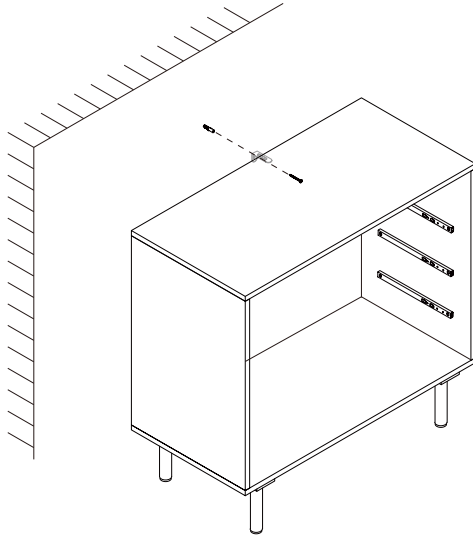
10



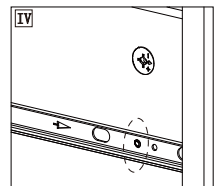
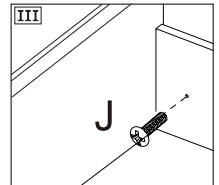
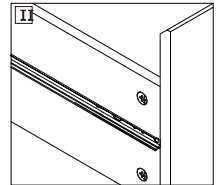
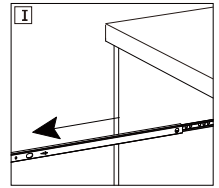
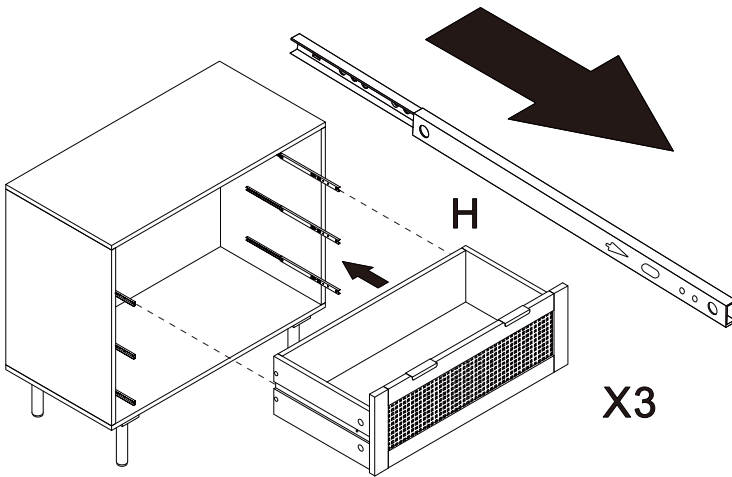
11



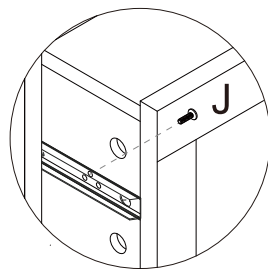
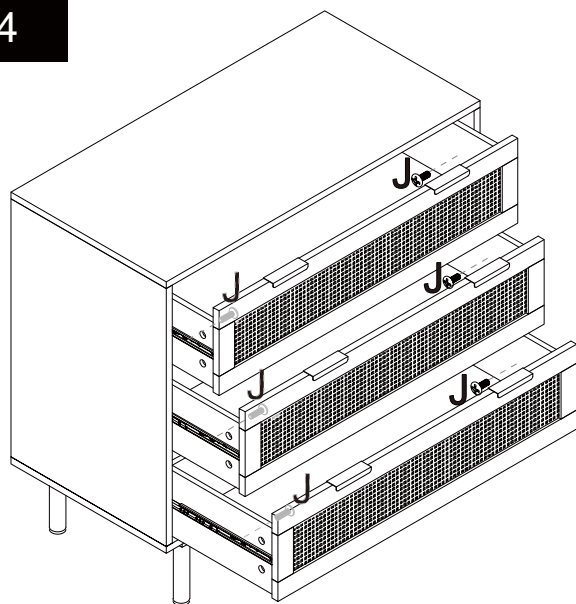
12



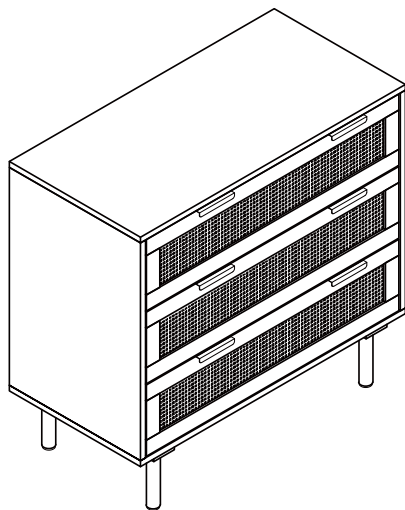
13



14



15



COMPLETION

