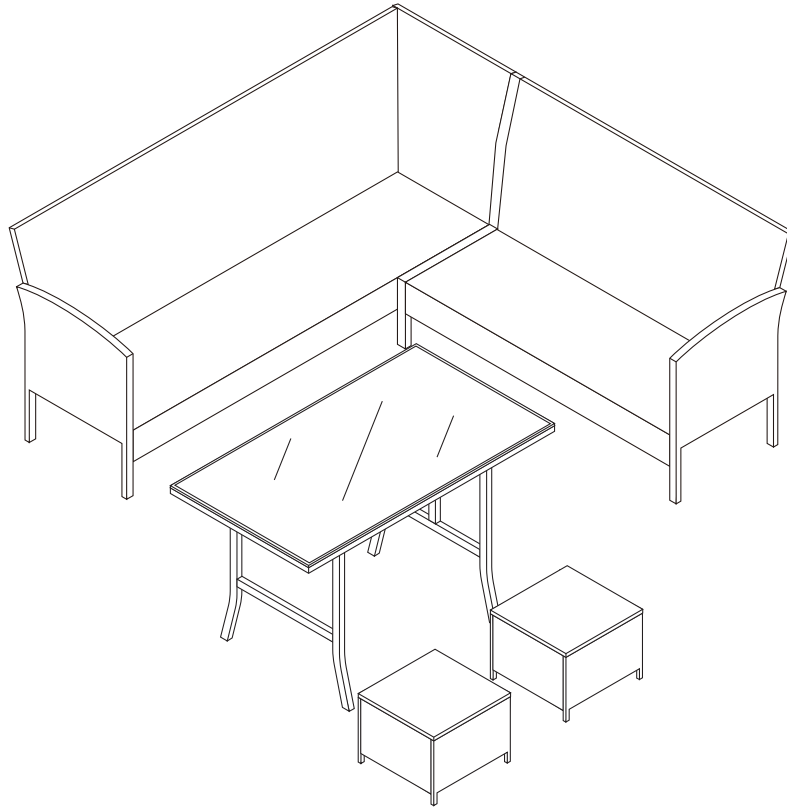


Installation Instruction



Tips

1. This product will be split into 3 packages for delivery. They may not arrive at the same time. Please wait patiently.

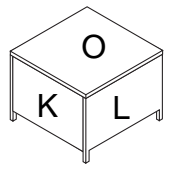
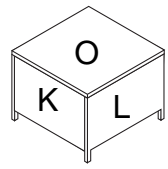
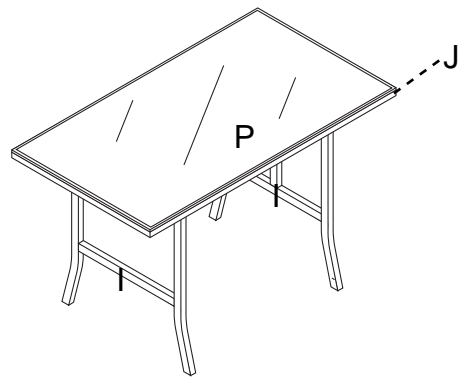
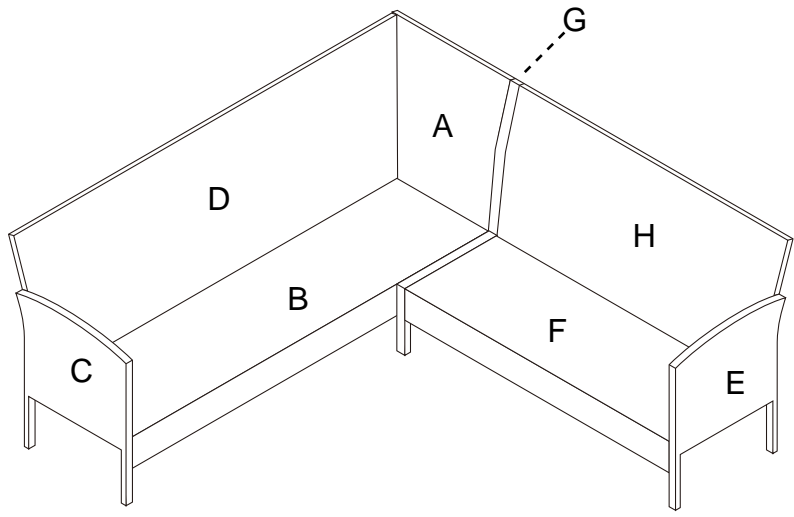
2. Thank you for shopping. We strive to provide you with high quality products. In rare cases that your product is damaged, missing parts or you encounter assembly problems, please contact our customer service with it. We will offer you the best solution as soon as possible.

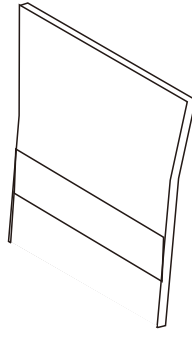
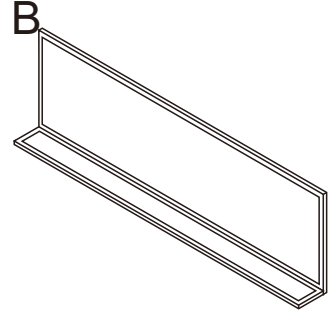
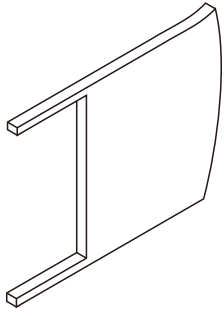
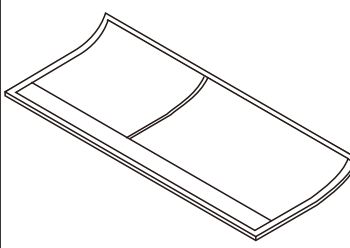
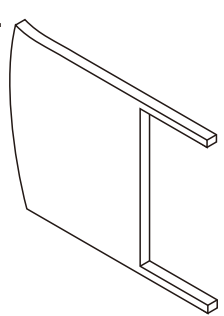
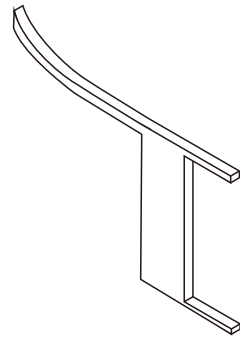
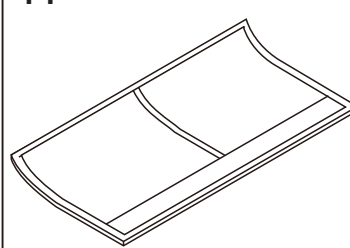
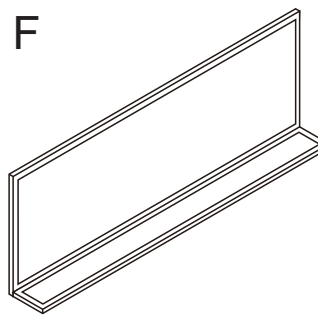
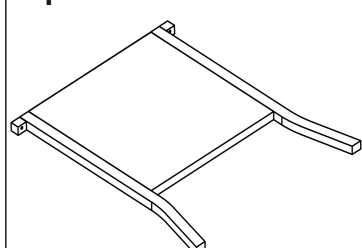
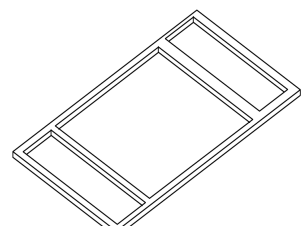
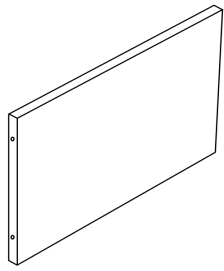
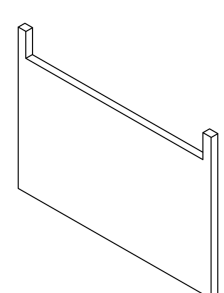
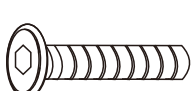
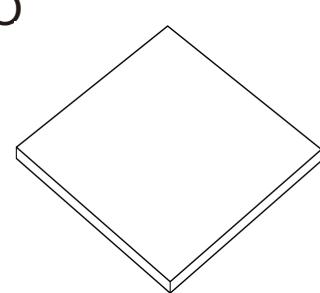
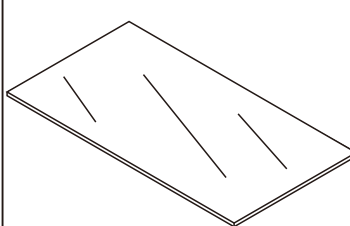

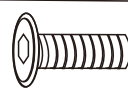
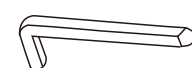
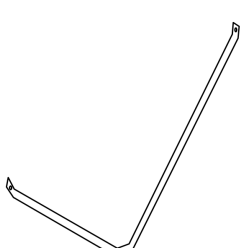
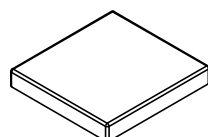

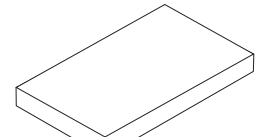
In order to solve your problem quickly, please provide us with some pictures that can clearly reflect the product problem.

Thanks very much!

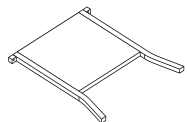
3. Insert the screws in holes and tighten the screws but not too tight, 70%~80% is ok. Finally tighten all the screws. If some issues happened that some screws can not target to the hole or some parts are difficult to install, please adjust the tightness of the screws.

4. 2 people are recommended to finish

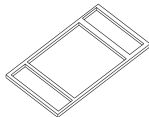


| | | | |
|---|---|--|--|
| <p>A</p>  | <p>B</p>  <p>x1</p> | <p>C</p>  <p>x1</p> | <p>D</p>  <p>x1</p> |
| <p>E</p>  <p>x1</p> | <p>G</p>  <p>x1</p> | <p>H</p>  <p>x1</p> | <p>F</p>  <p>x1</p> |
| <p>I</p>  <p>x2</p> | <p>J</p>  <p>x1</p> | <p>K</p>  <p>x4</p> | <p>L</p>  <p>x4</p> |
| <p>M</p>  <p>M 6X35 x52</p> | <p>O</p>  <p>x2</p> | <p>P</p>  <p>x1</p> | <p>Q</p>  <p>M 6X25 x1</p> |
| <p>N</p>  <p>M 6X16 x2</p> | | | <p>R</p>  <p>x1</p> |
| <p>S</p>  <p>x1</p> | <p>Ottoman Cushion</p>  <p>x2</p> | <p>Back Cushion</p>  <p>x7</p> | <p>Seat Cushion</p>  <p>x2</p> |

WF317202

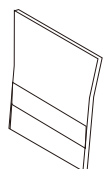


Ix2

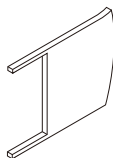


Jx1

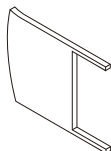
WF317203



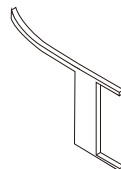
Ax1



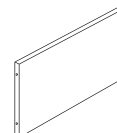
Cx1



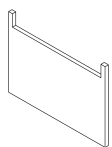
Ex1



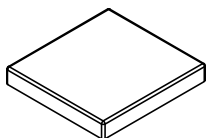
Gx1



Kx4



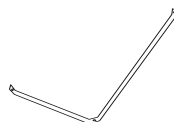
Lx4



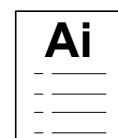
Ottoman Cushion
x2



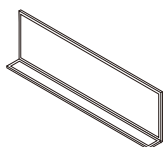
Back Cushion
x7



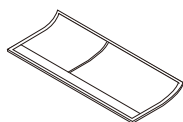
Sx1



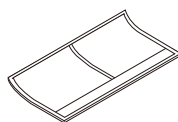
WF317204



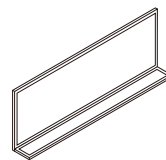
Bx1



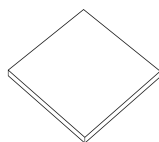
Dx1



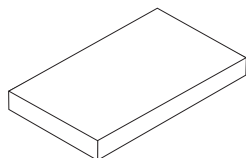
Hx1



Fx1



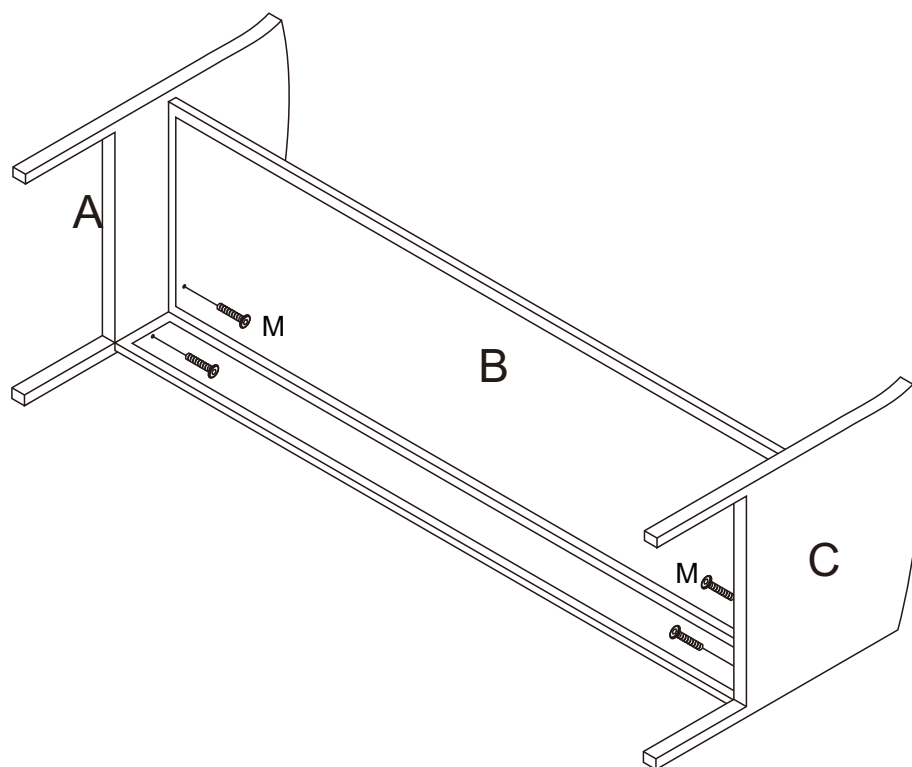
Ox2



Seat Cushion
x2

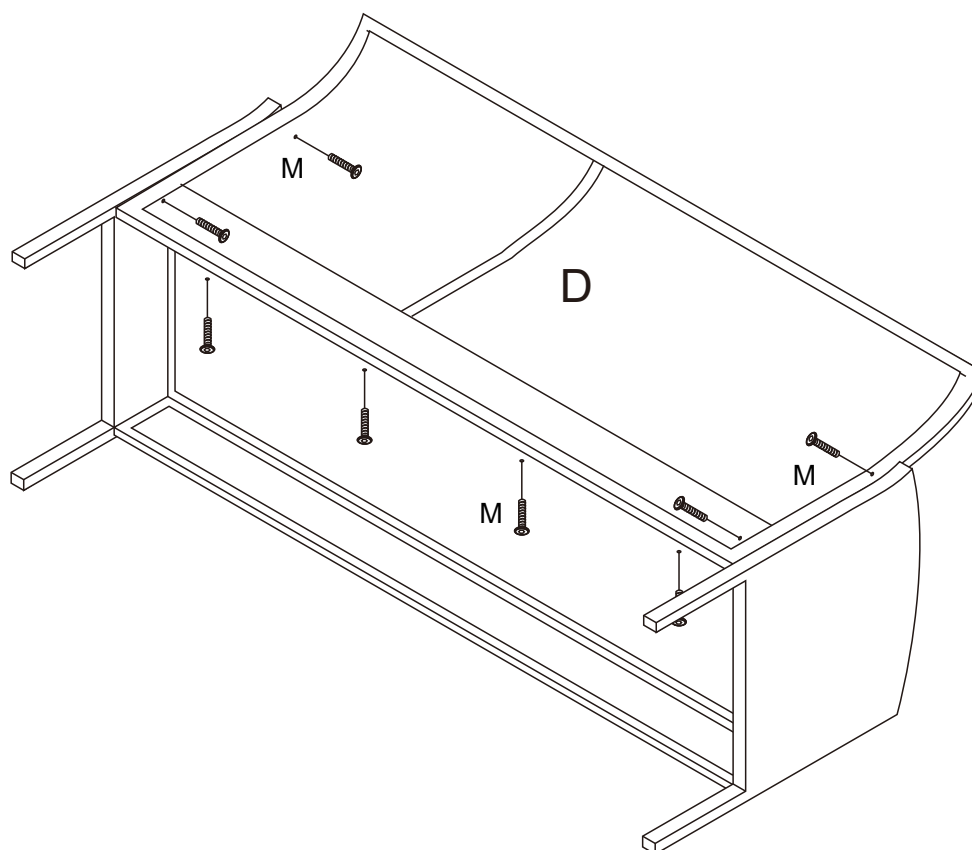
1

M*4



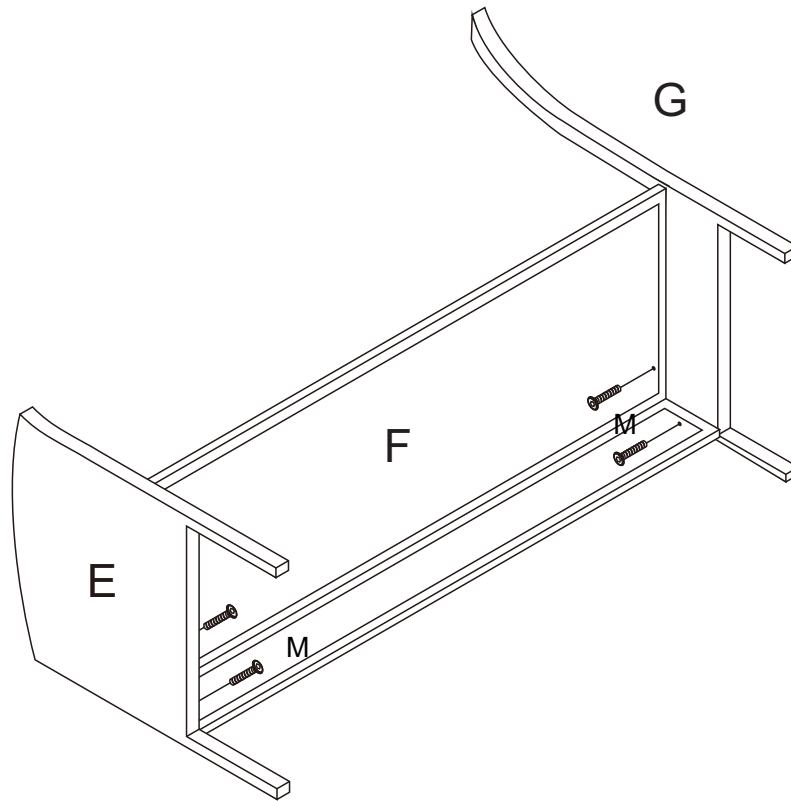
2

M*8



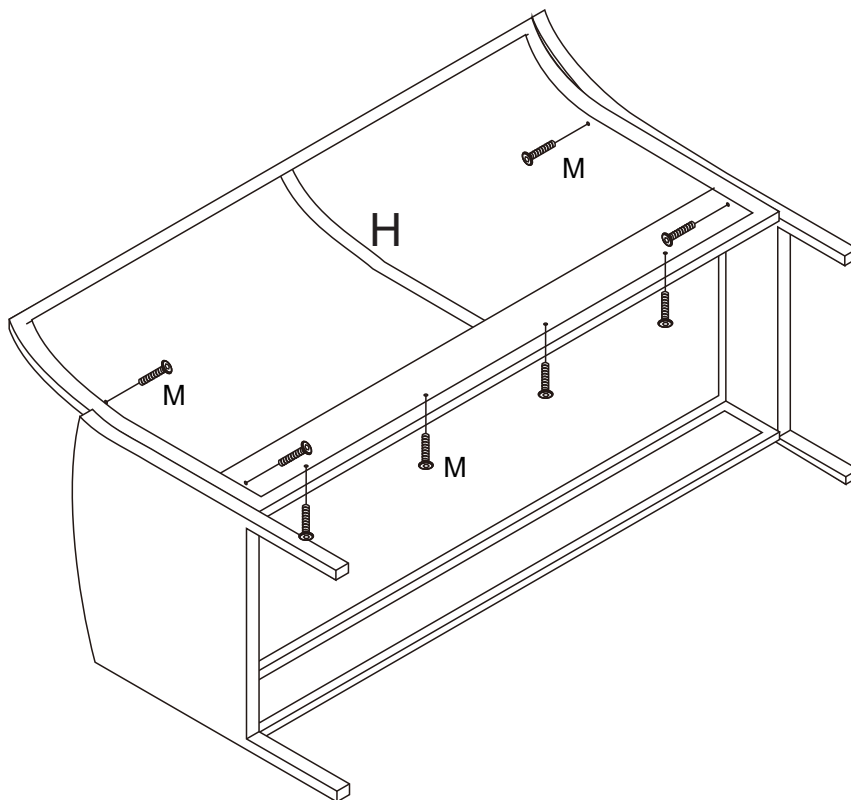
3

M*4



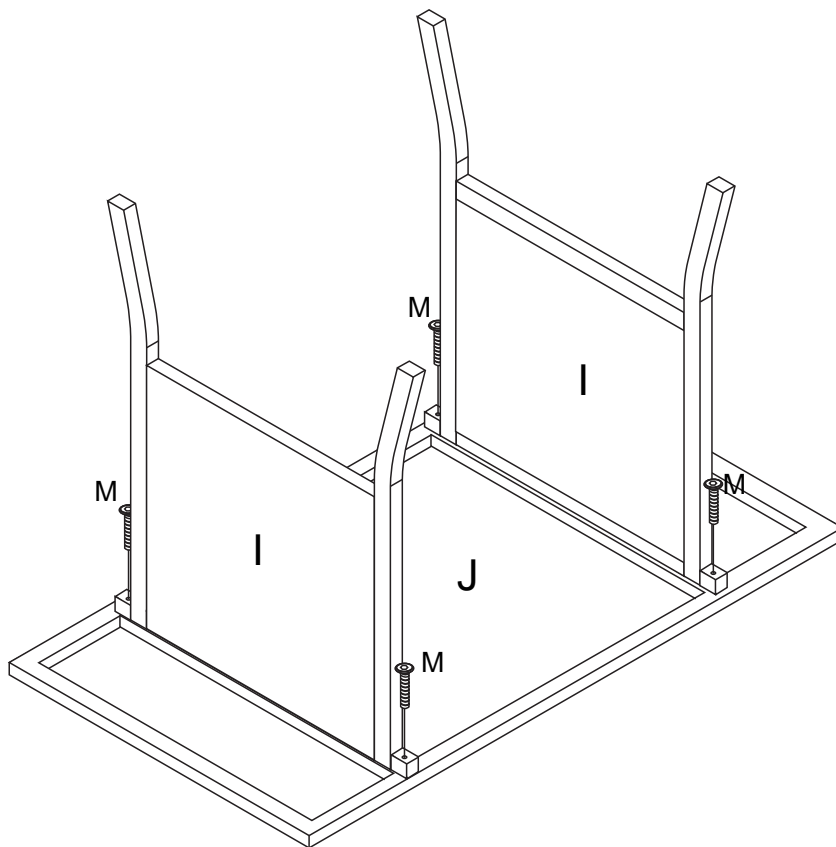
4

M*8



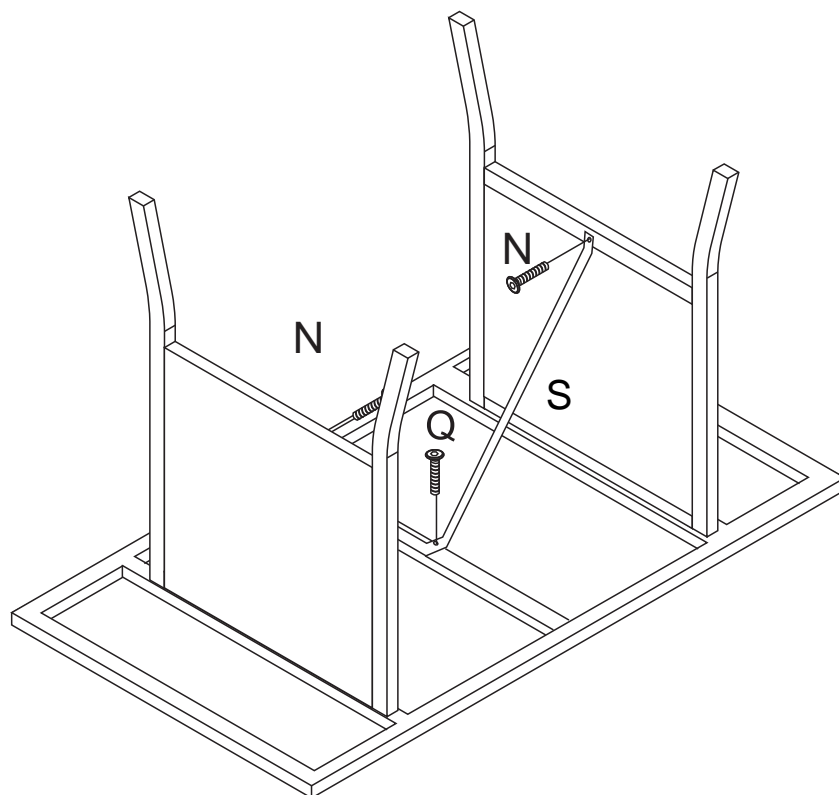
7

M*4

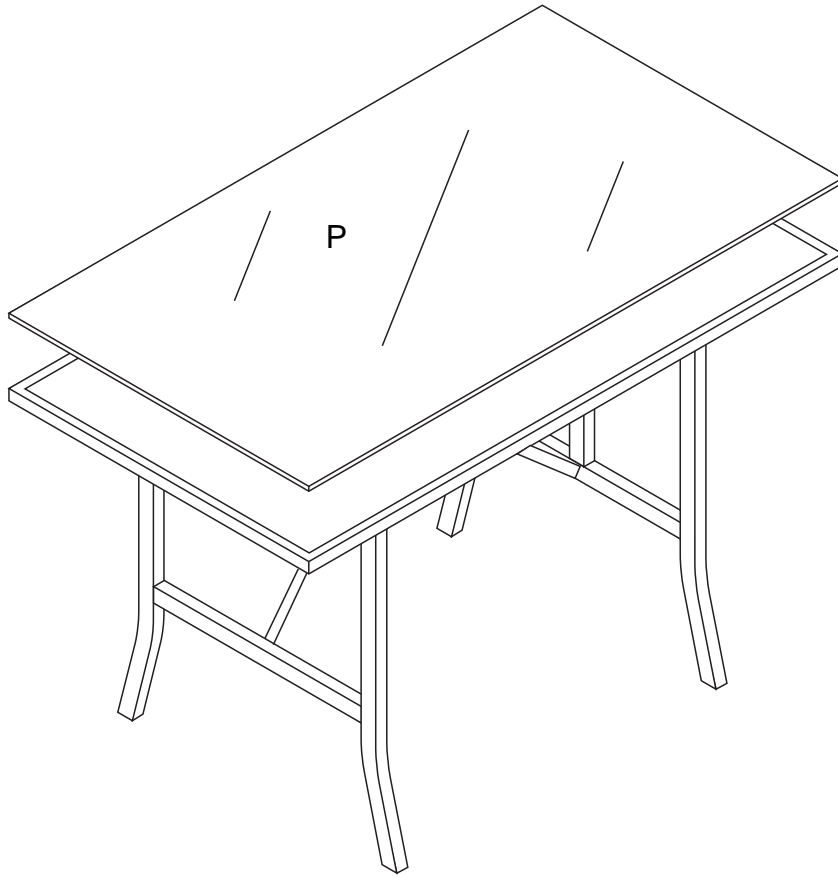


8

N*2
Q*1

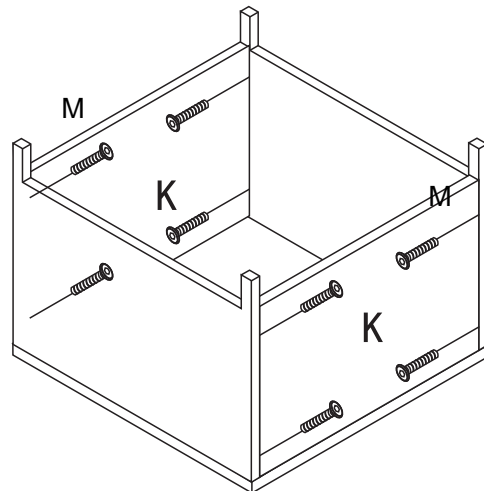
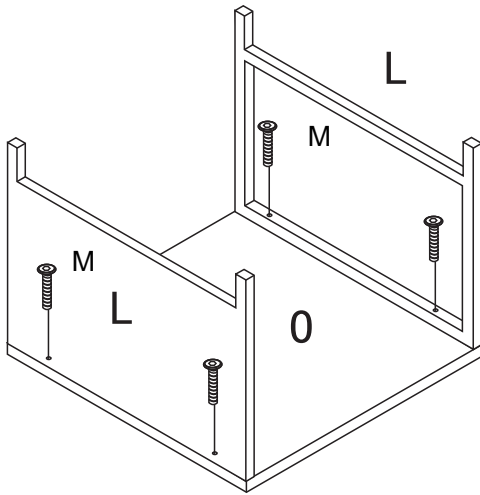


9



10

M*12



x2