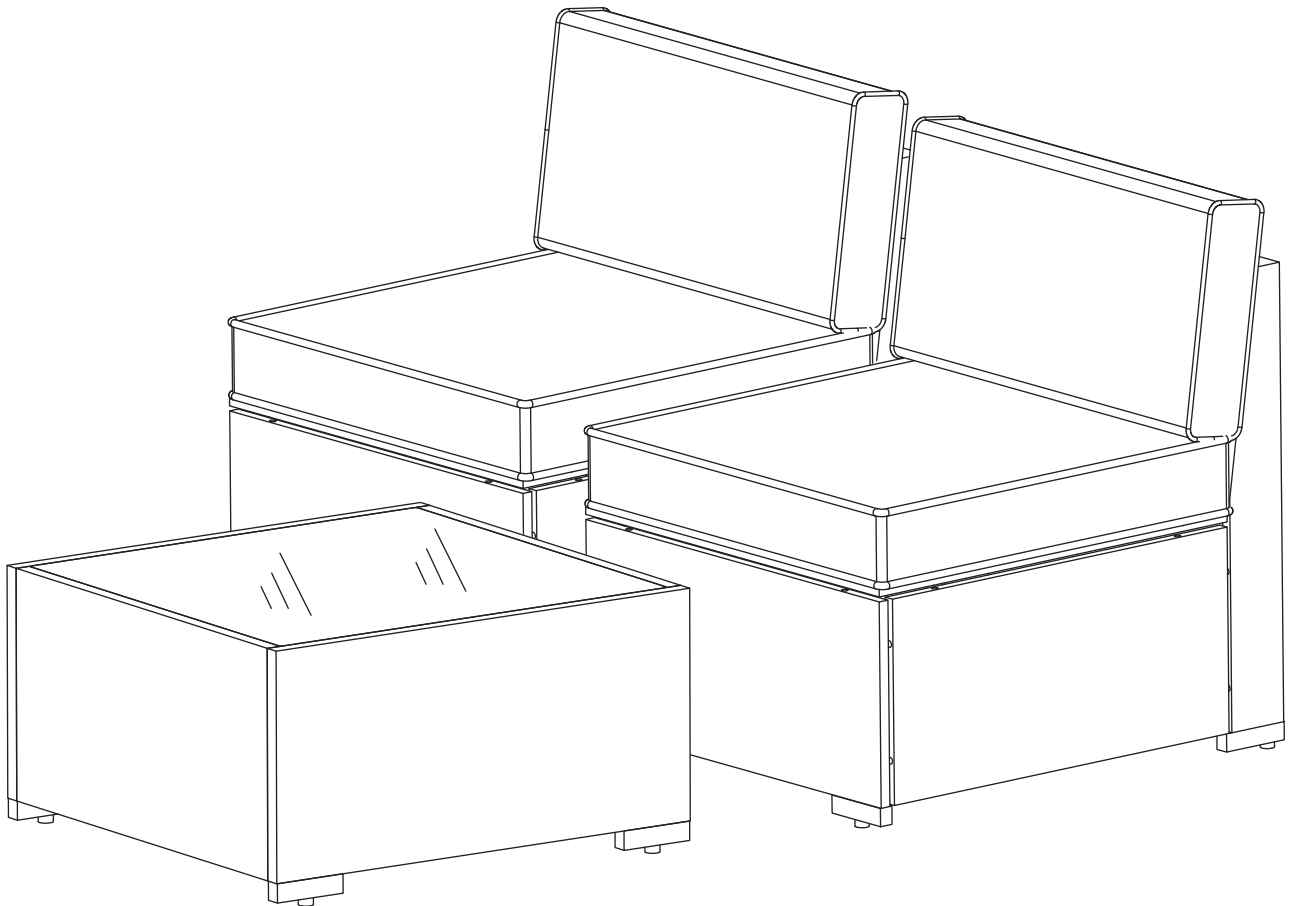


2 Pcs Single Sofa + Coffee Table



NOTICE



Please retain these instructions for future reference.

Dear Customer

Thank you for your purchase.

When you receive the product, please make sure that all the parts are intact.




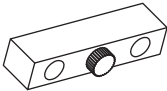
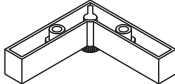

Then please browse the entire installation manual before assembly.

If problem occur unsatisfactorily as follows

- A** . The outer box is damaged
- B** . The product is damaged / bent / cracked while you open the box
- C** . The parts / accessories / assembly tools are missing
- D** . The product is hard to assemble
- E** . The instructions are not clear and can not be referred
- F** . The product has functional problems
- G** . Other aspects that you are not satisfied with

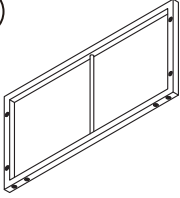
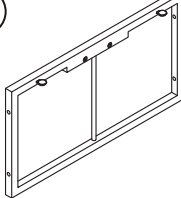
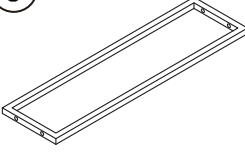
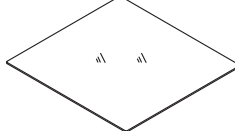
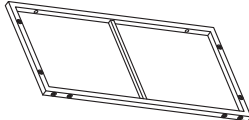
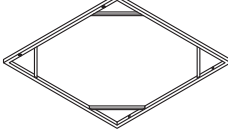
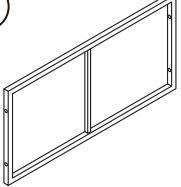
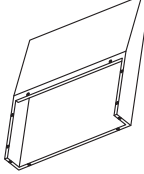
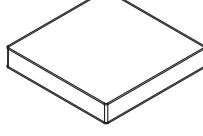
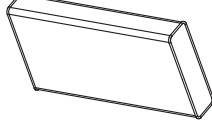
Please do not hesitate to contact us for help. Our team with factory direct after-sales service will reply within 24 hours and will do our best to resolve the problem for you.

HARDWARE LIST

Hardware List				
①  M6*25 mm Bolt 24 pc	②  M6*30 mm Bolt 36 pc	③  Φ6*12 Washer 36 pc	④  Floor Mat 8 pc	⑤  L Floor Mat 4 pc
⑥  Hex Wrench 1 pc				

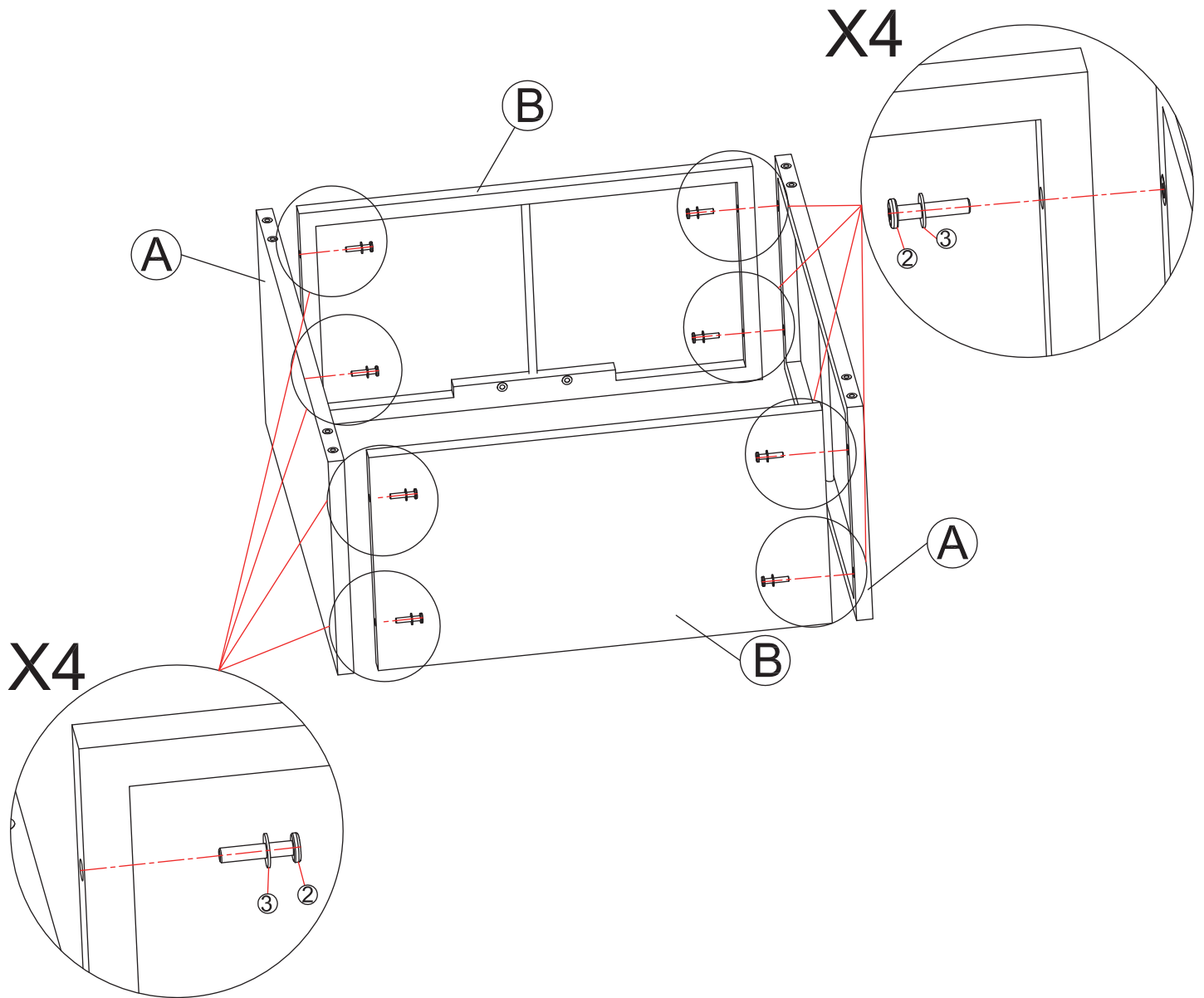
PART LIST

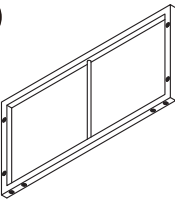
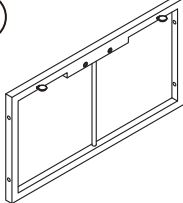


Parts List

 <p>(Side Leg)</p>	 <p>(Side Panel)</p>	 <p>(Table Top)</p>	 <p>(Glass)</p>	 <p>(Front Panel)</p>
2 pc	2 pc	1 pc	1 pc	2 pc
 <p>(Mid Seat Panel)</p>	 <p>(Side Panel)</p>	 <p>(Mid Backrest)</p>	 <p>(Seat Cushion)</p>	 <p>(Back Cushion)</p>
2 pc	4 pc	2 pc	2 pc	2 pc

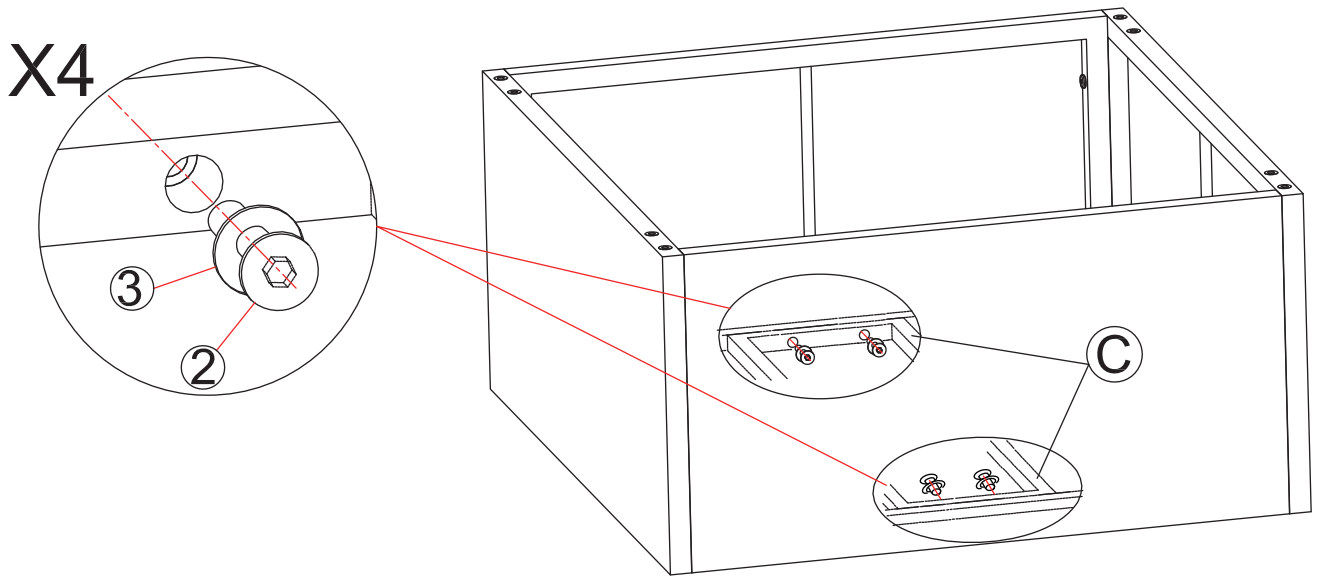
1. Please ensure that all accessories are complete before starting the installation.
2. Due to the variety of accessories, many accessories may be glued together, please check carefully
3. If any accessories are missing or damaged, please contact the seller immediately.

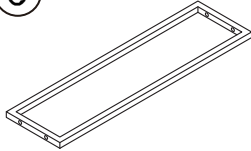


STEP 1 Coffee Table



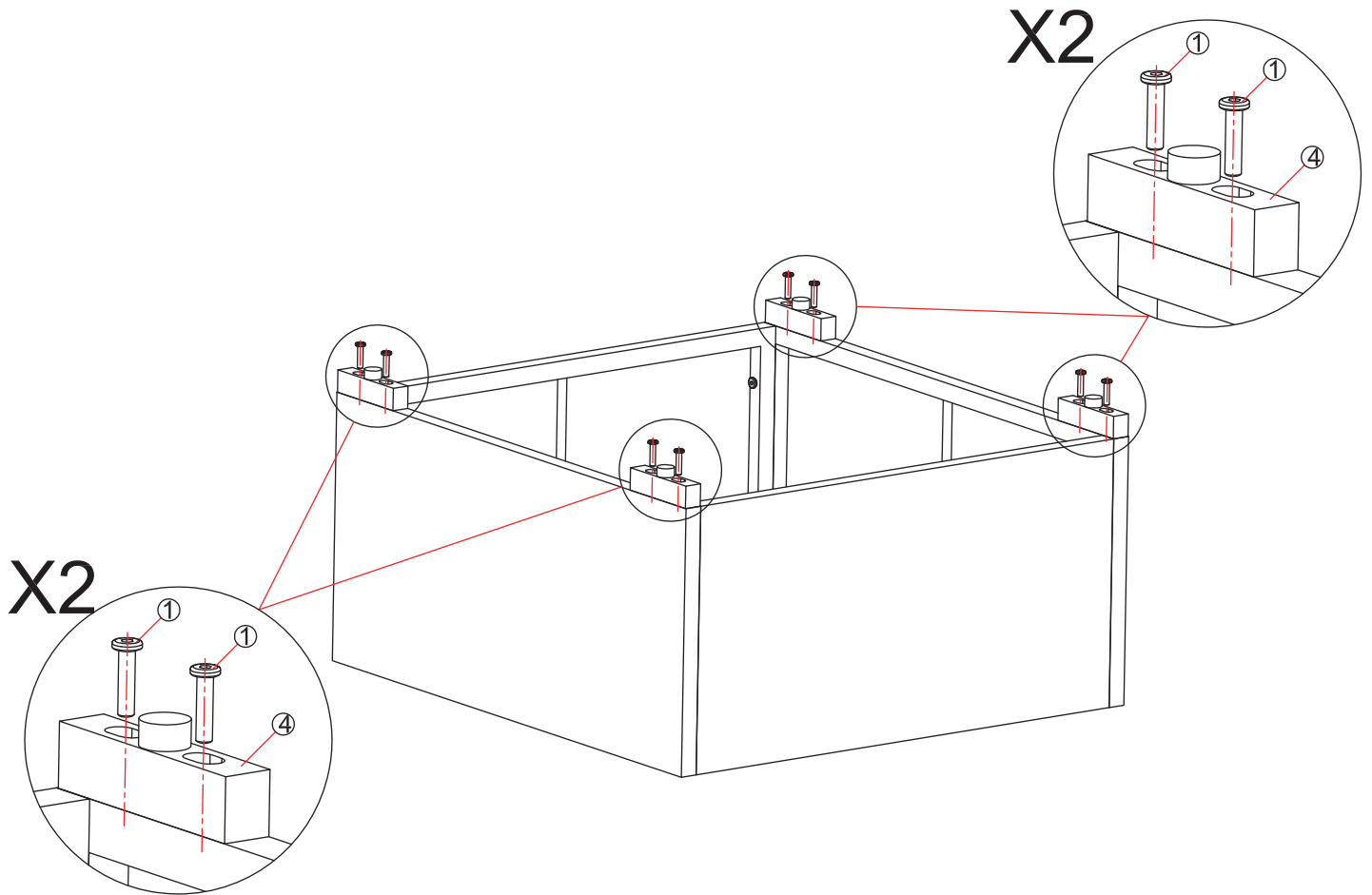
 (Side Leg)	 (Side Panel)	 M6*30 mm Bolt	 Φ6*12 Washer
2 pc	2 pc	8 pc	8 pc


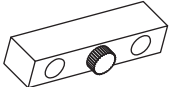
STEP 2 Coffee Table



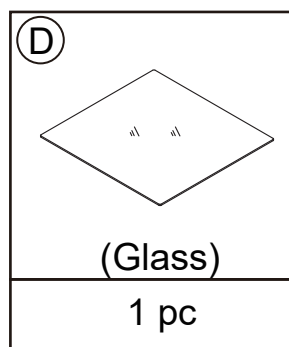
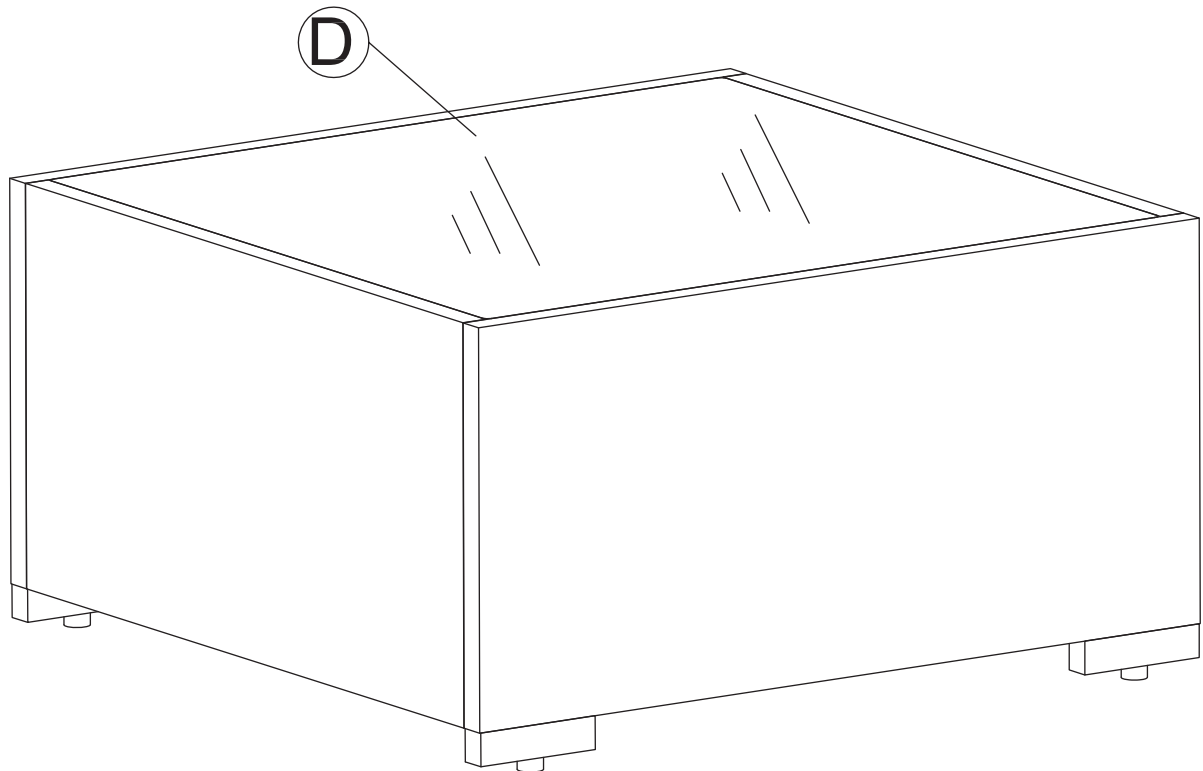
 (Table Top)	 M6*30 mm Bolt	 Φ6*12 Washer
1 pc	4 pc	4 pc

STEP 3 Coffee Table

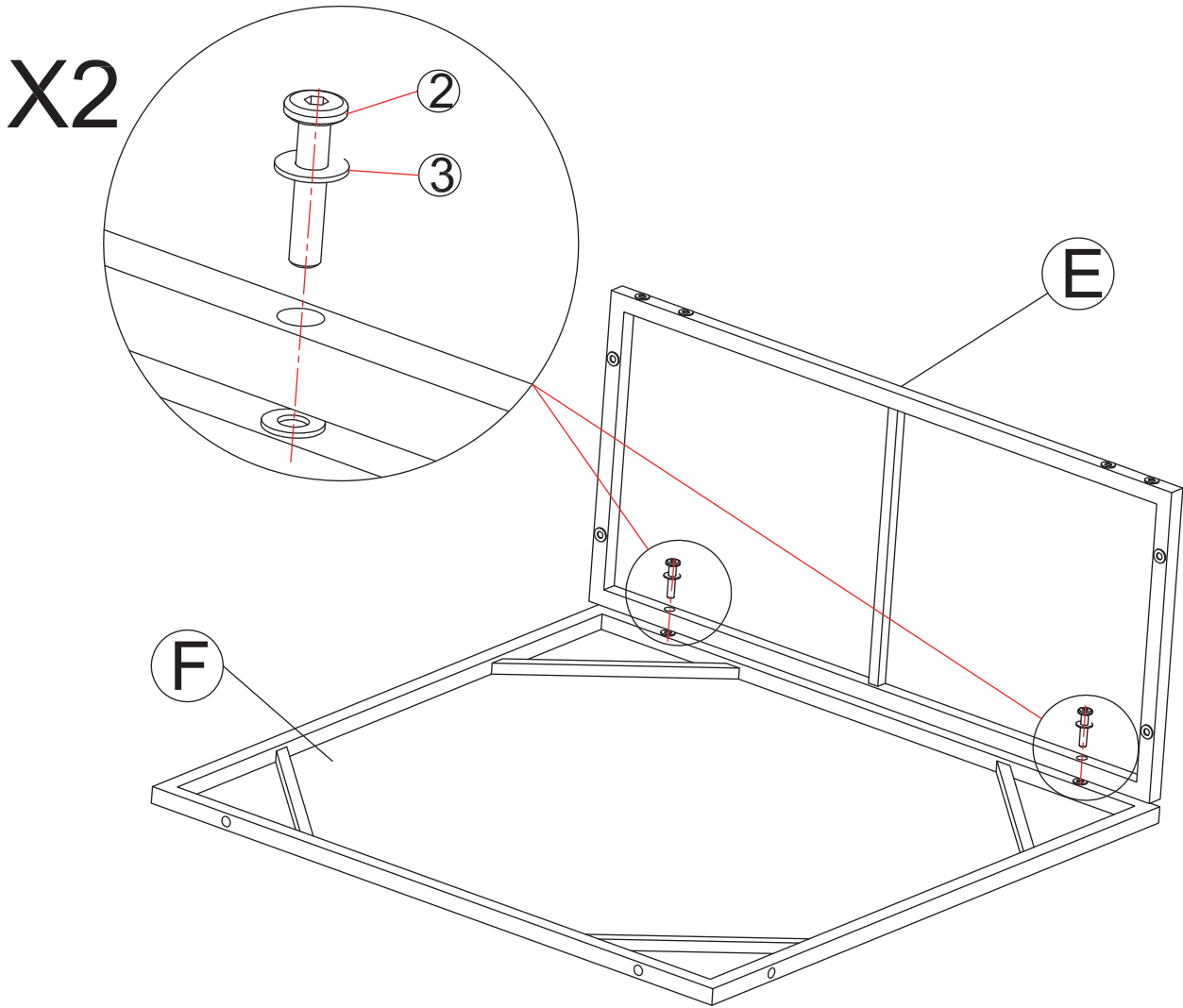


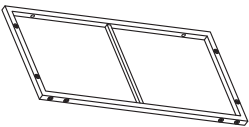
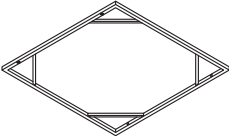


<p>①</p>  <p>M6*25 mm Bolt</p>	<p>④</p>  <p>Floor Mat</p>
<p>8 pc</p>	<p>4 pc</p>

STEP 4 Coffee Table



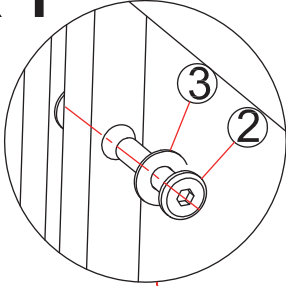
STEP 5 Single Sofa



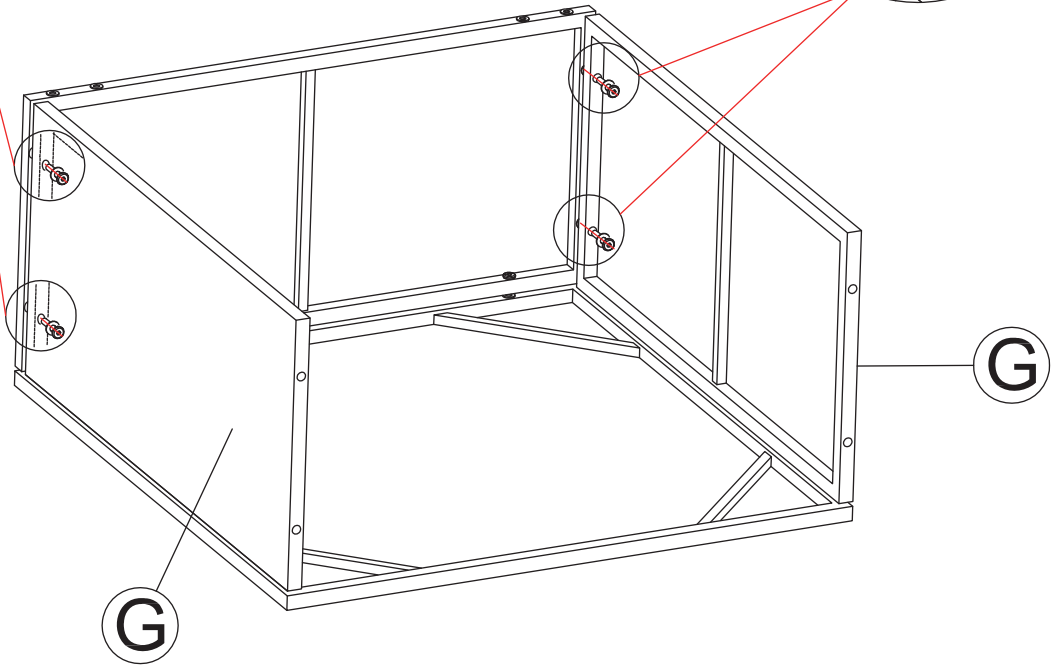
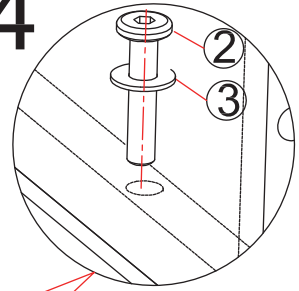
 (Front Panel)	 (Mid Seat Panel)	 M6*30 mm Bolt	 Φ6*12 Washer
1 pc	1 pc	2 pc	2 pc

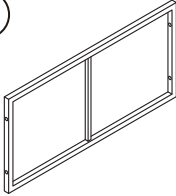


STEP 6 Single Sofa

X4

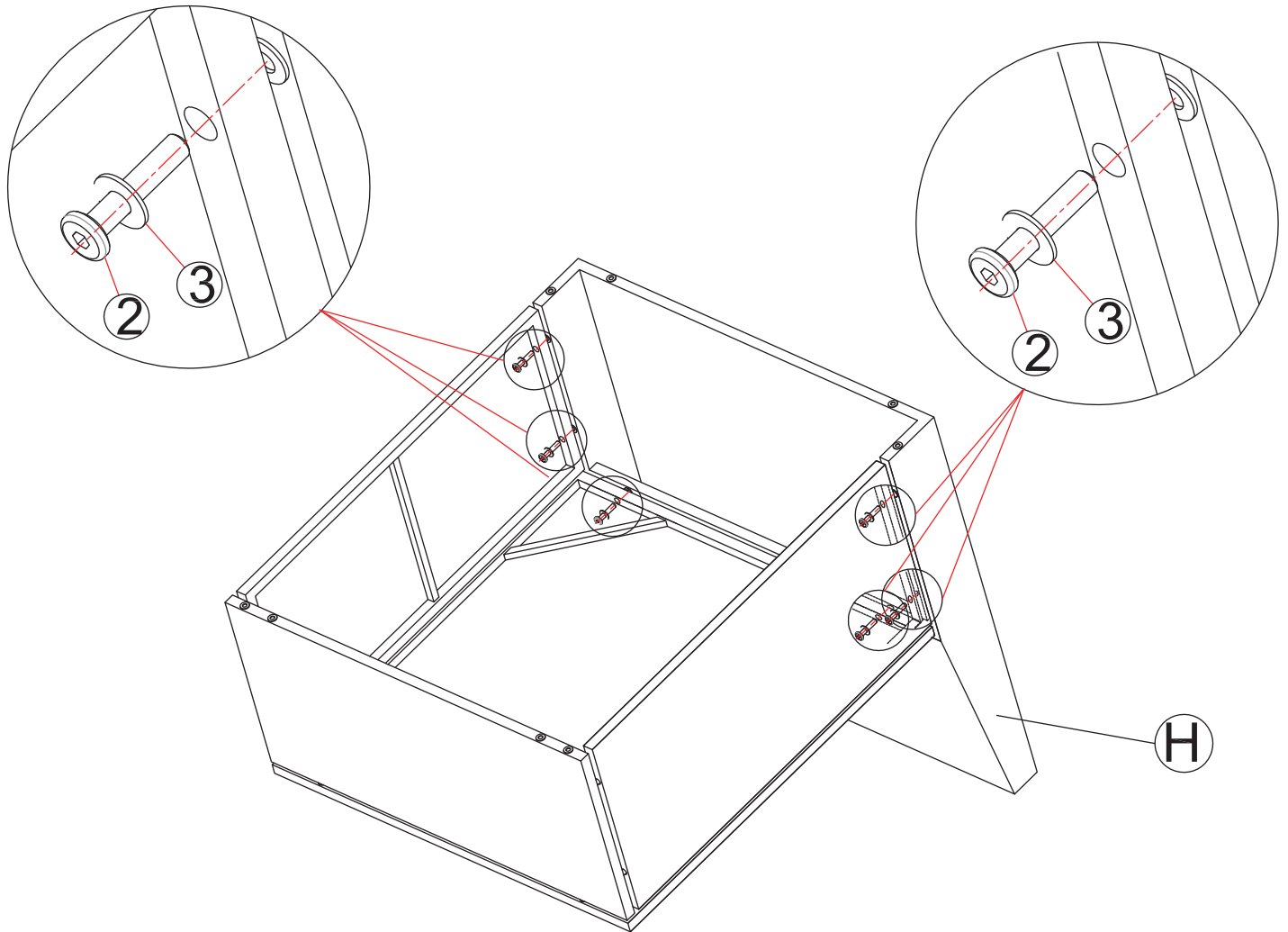


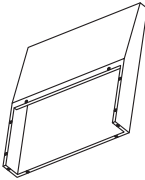


X4



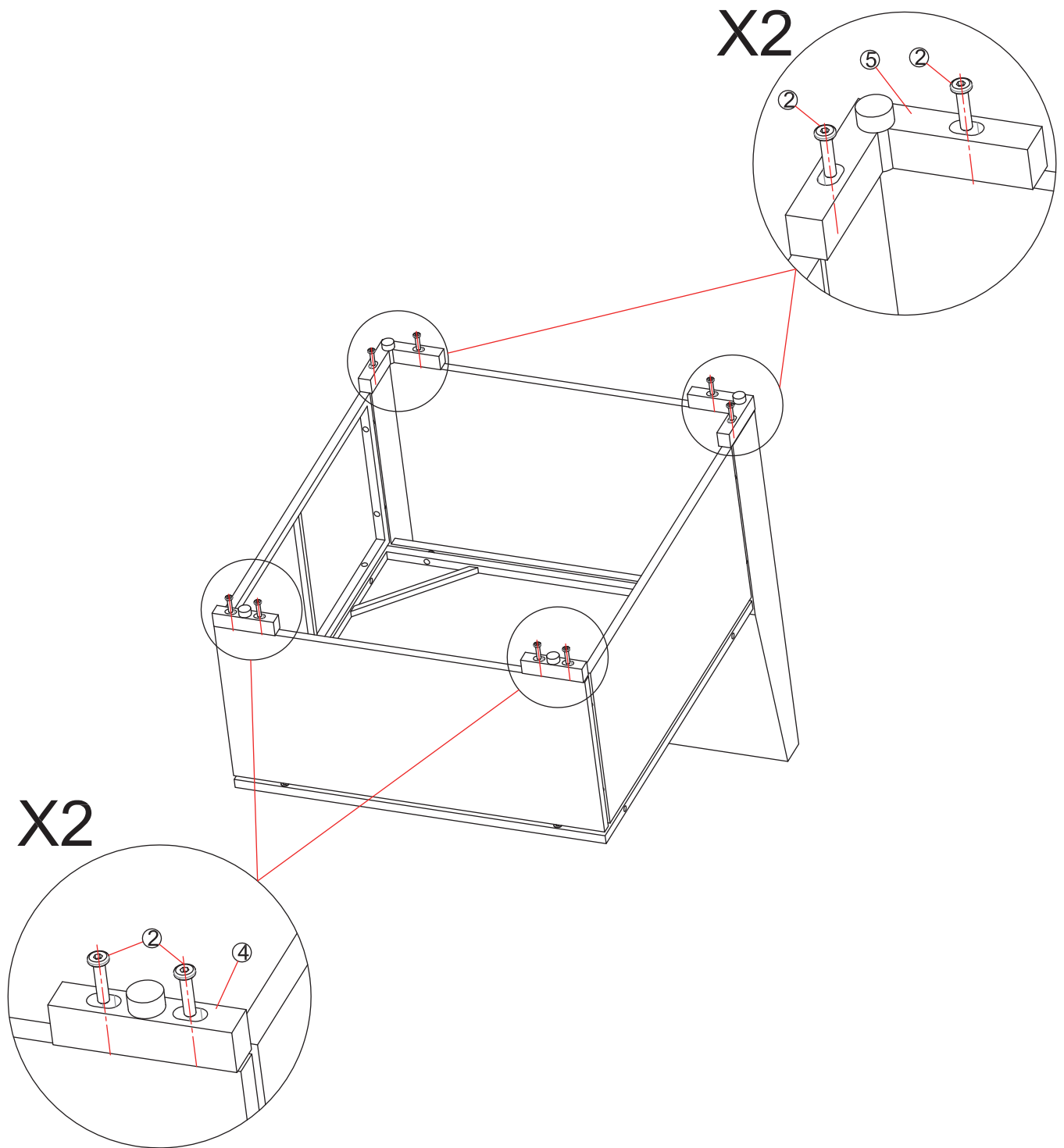
 (Side Panel)	 M6*30 mm Bolt	 Φ6*12 Washer
2 pc	4 pc	4 pc


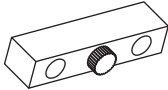
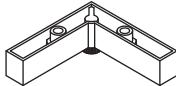
STEP 7 Single Sofa



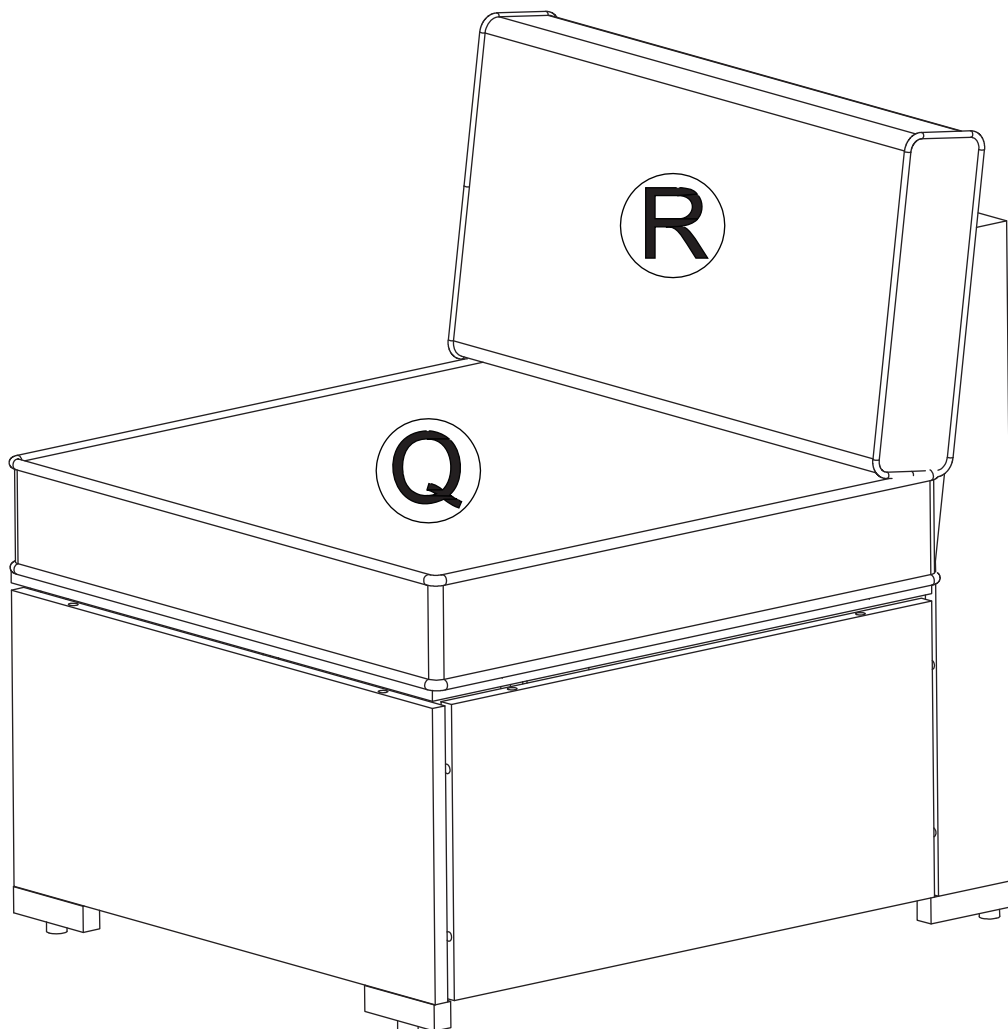
 (Mid Backrest)	 M6*30 mm Bolt	 Φ6*12 Washer
1 pc	6 pc	6 pc

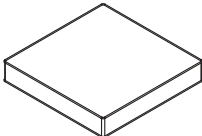
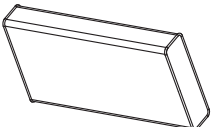
STEP 8 Single Sofa



<p>①</p>  <p>M6*25 mm Bolt</p>	<p>④</p>  <p>Floor Mat</p>	<p>⑤</p>  <p>L Floor Mat</p>
<p>8 pc</p>	<p>2 pc</p>	<p>2 pc</p>

STEP 9 Single Sofa



 ① (Seat Cushion)	 ① (Back Cushion)
1 pc	1 pc