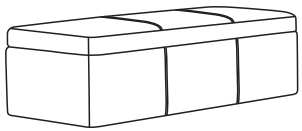


ASSEMBLY INSTRUCTIONS

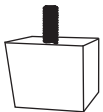
Ax1



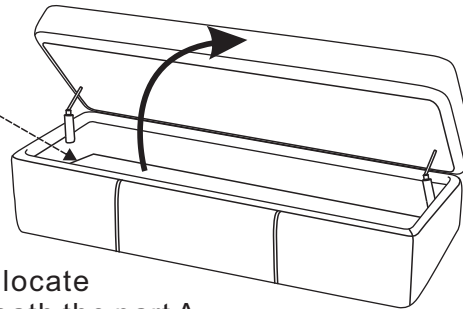
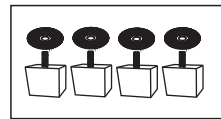
Bx4



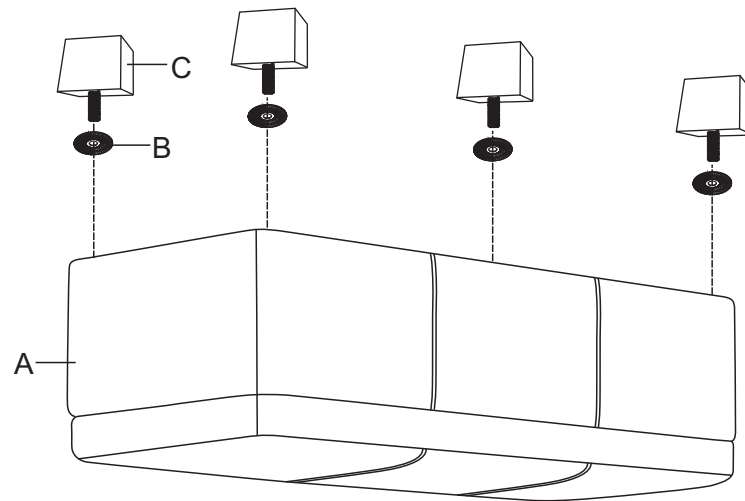
Cx4



1



You will be able to locate part B & C underneath the part A.



2

