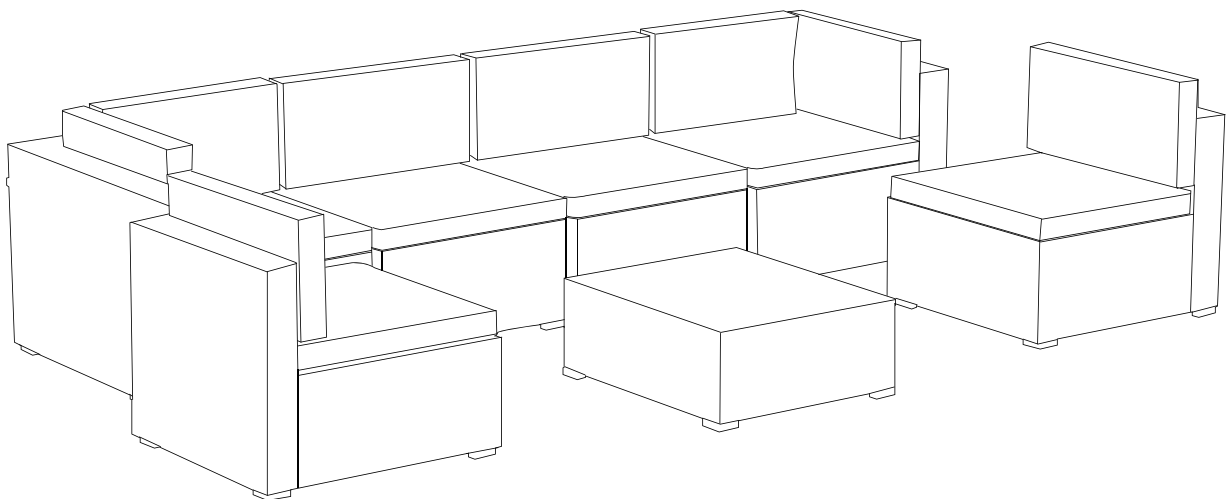


Thank you very much
for purchasing our outdoor sectional.

OWNER'S MANUAL

Outdoor Sectional



SAFETY PRECAUTIONS

⚠ Warning

- Please read and understand this entire manual before attempting to assemble or install the product.
- Some parts may contain sharp edges. Please wear protective gloves when assemble or install the product.
- Assemble the item on a soft, non-abrasive surface such as carpeting to avoid damage.
- Keep all children and pets away from assembly area. Children and pets should be supervised when they are in the area of the sofa set construction.
- Item is heavy. Please handle with care. Two or more people are required for this assembly.

Caution

- Sofa is for seating purpose only. Do not stand on or use any part of this item as a step ladder.
- Recommended maximum sitting weight for the each sofa seating is 175 lbs /80 kgs. Please do not exceed the weight limitations of this item.
Firmly secure all bolts, screws and knobs before use.
- Reconfirm that all bolts, screws, and knobs are secure every 90 days.
- Do not use or store this item in the proximity of open flame or flammable/combustible chemicals.
- If any parts are missing, broken, damaged, or worn, stop using this product until repairs are made and/or factory replacement parts are installed.

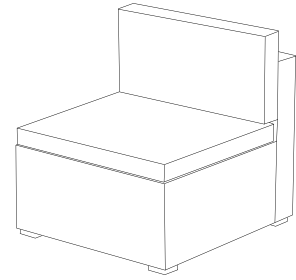
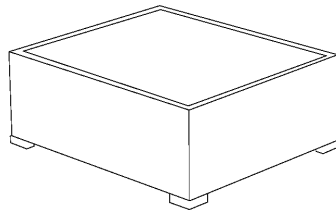
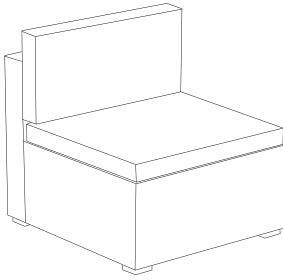
Attention

- Before assembling of product, compare every part with parts list. If any part is missing or damaged, do not attempt to assemble the product and contact us immediately.
- We care about every customer's using experience, please feel free to chat us if have some advice, efficient solution would be offered soon.
- Recommend to use waterproof furniture cover for entire patio sofa set when out of use to keep them longer performance.
- Sofa cushion cover can be removable and clean up by cleaner when have stains.
- It's available to adjust foot height through leveler regarding ground condition to keep sofa in balance.

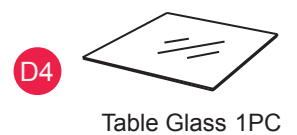
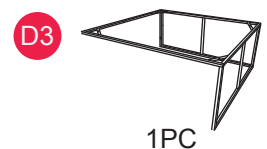
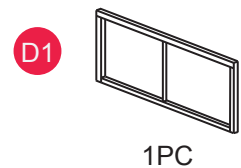
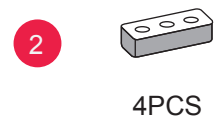
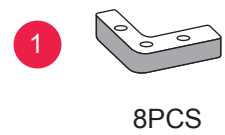
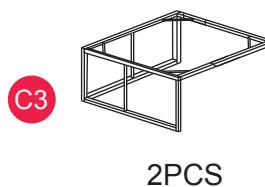
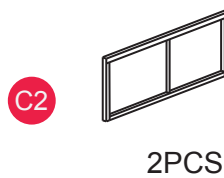
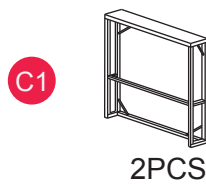
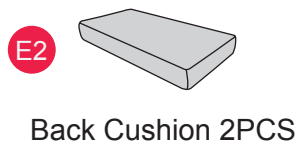
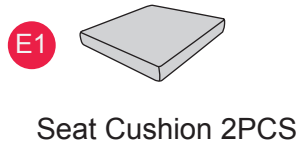
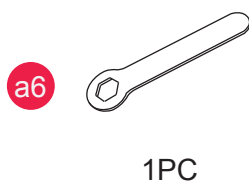
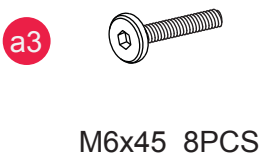
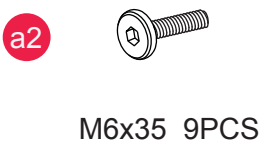
Warranty Coverage Requirements:

- Pictures of the damaged parts.
- The name or MOLDE number of your product.
- Please gather all of this information BEFORE you contact us.
- Do not use this item in a way inconsistent with the manufacturer's instructions as this could void the product warranty.

Parts



Hardware

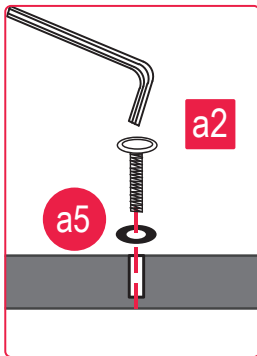
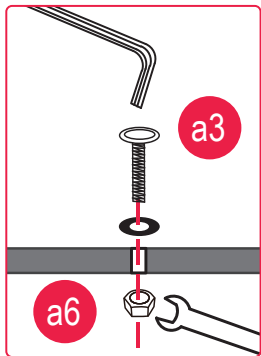
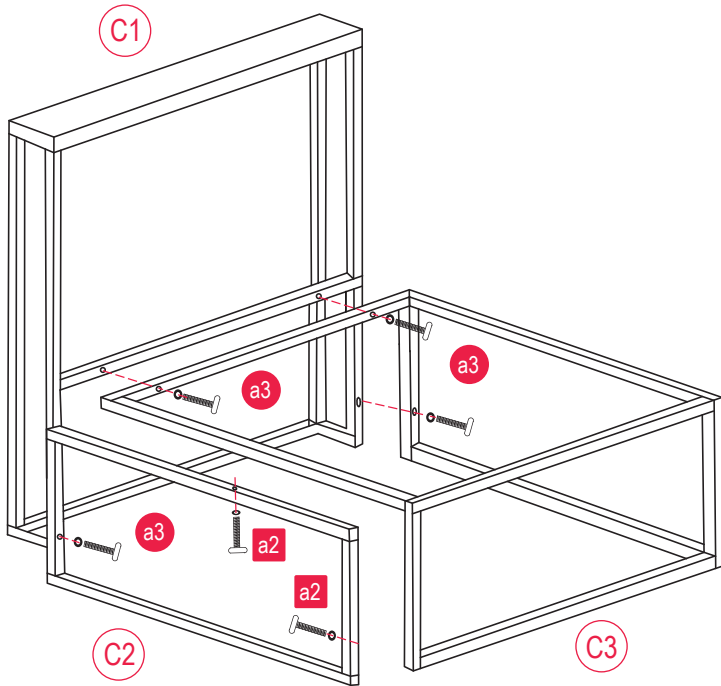


Instructions

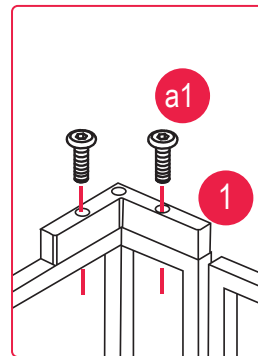
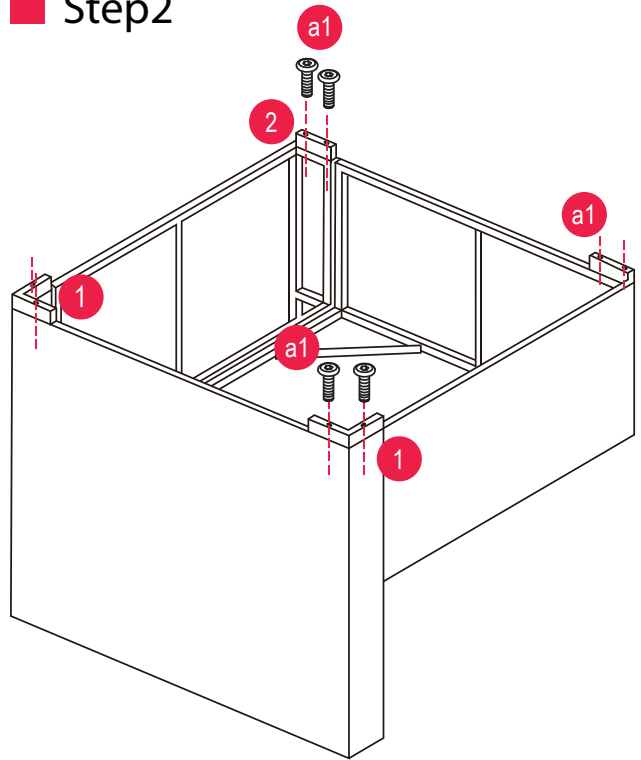
SOFA SEAT

- The accessories list and installation instructions of two armless sofas and one table are as follows.

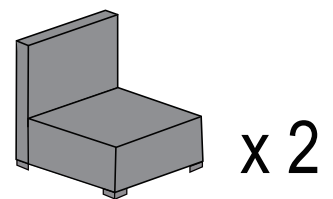
Step1



Step2



Number



Parts

C1 2PCS

C2 2PCS

C3 2PCS

a3 8PCS

a5 17PCS

a6 8PCS

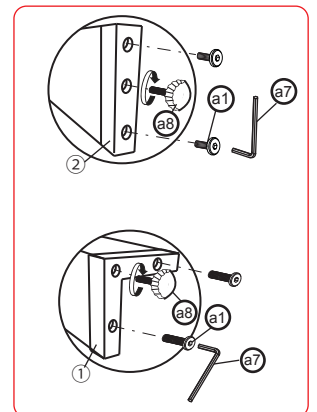
a1 24PCS

a8 12PCS

1 8PCS

2 4PCS

a7 1PCS

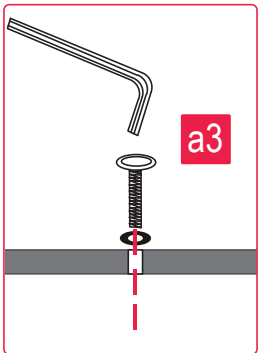
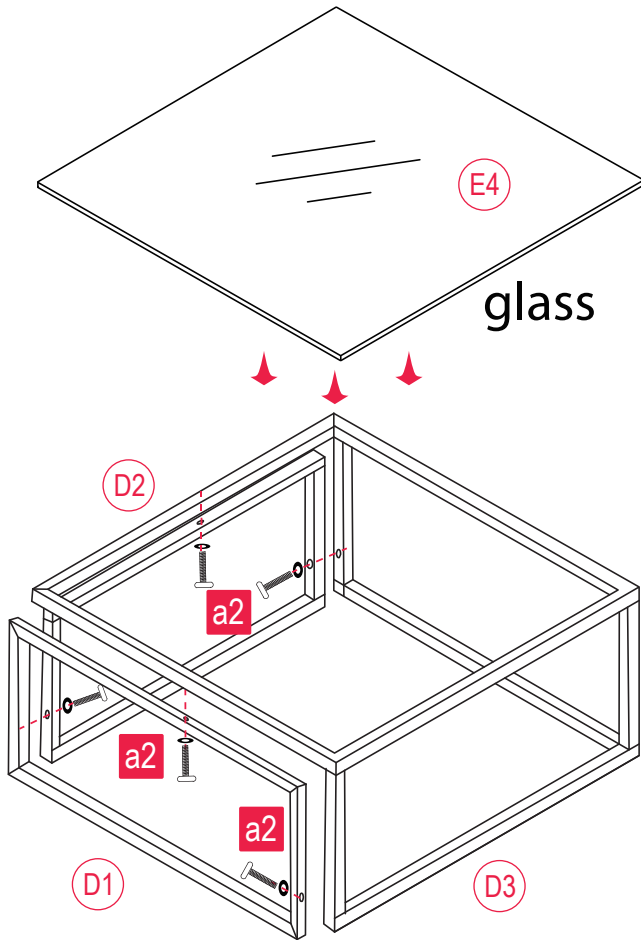


NOTICE: Please repeat step 1 and 2 to build another armless sofa.

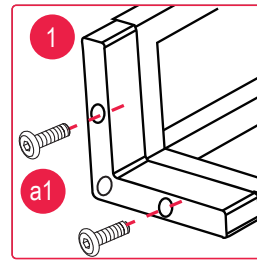
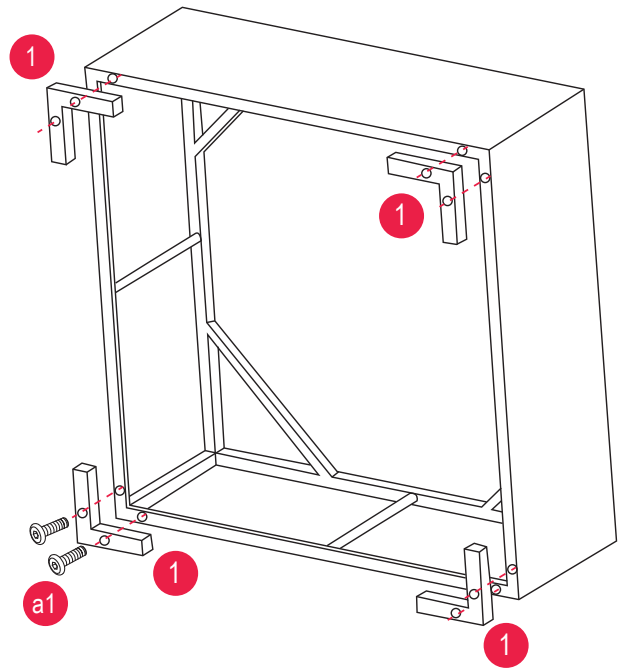
Instructions

COFFEE TABLE

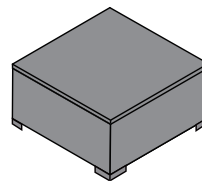
Step 1



Step 2



Number



Parts

D1 1PCS

D2 1PCS

D3 1PCS

D4 1PCS

a1 24PCS

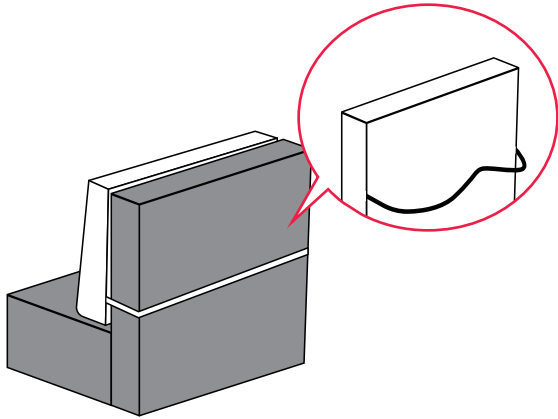
a2 9PCS

1 8PCS

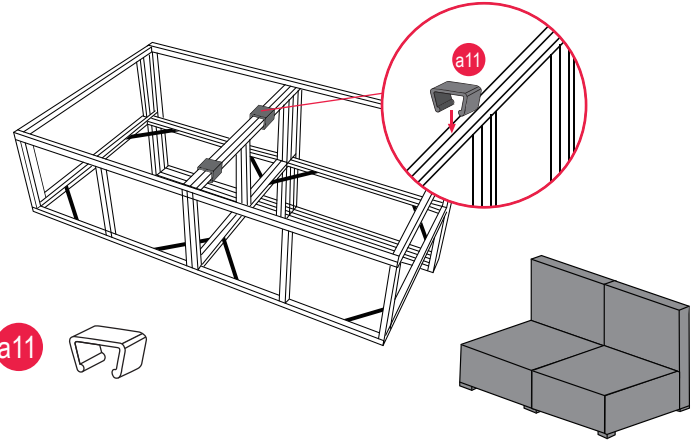
a3 8PCS

SUPPLEMENTARY INSTRUCTIONS

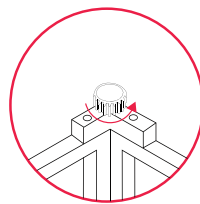
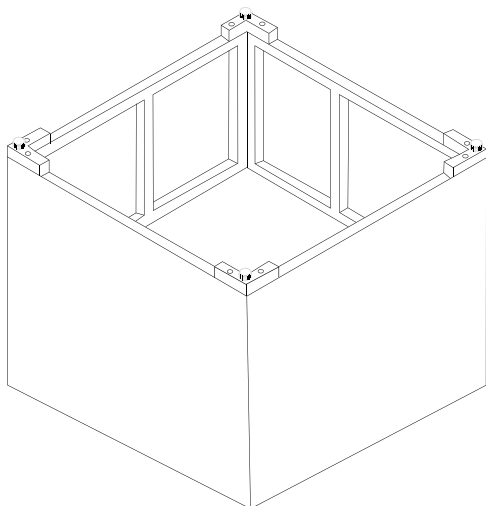
Back cushion



There is an elastic band on the back cushion for sofa, which can be used to fix the cushion to the sofa.



Use two clamps per section, where chairs meet together.

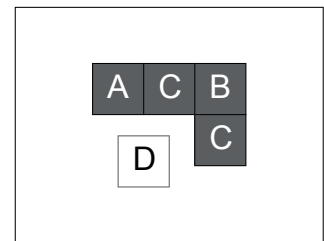
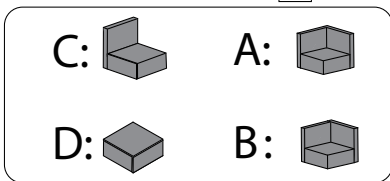
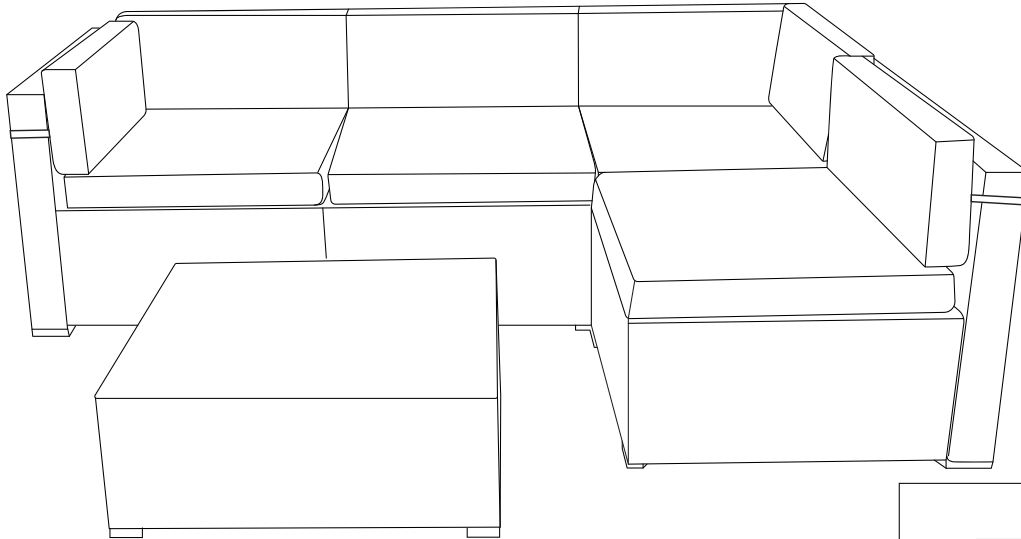


It's available to adjust foot height through leveler regarding ground condition to keep sofa in balance. Loosening the leveler will raise the leg, and tightening the leg will lower it.

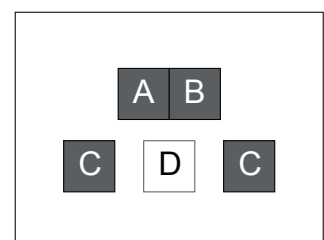
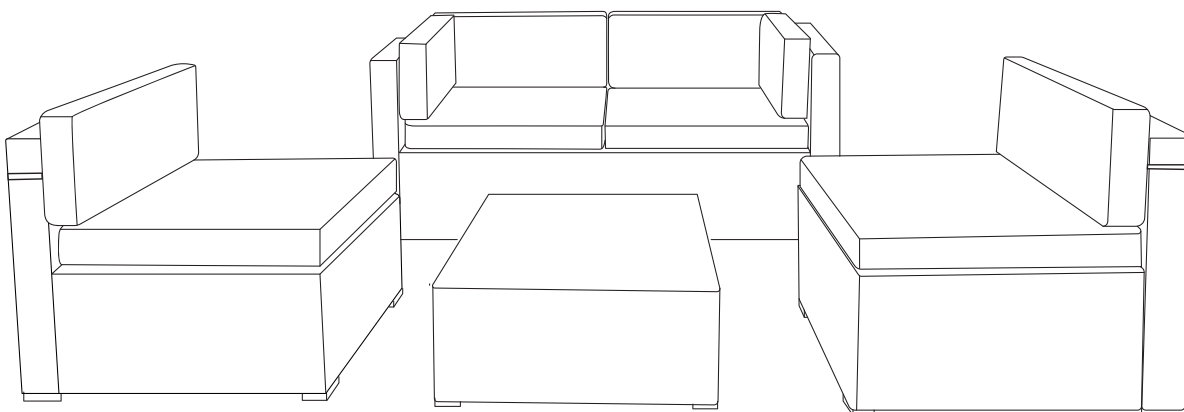
Combination

FIVE-PIECE

1



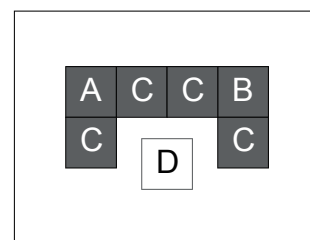
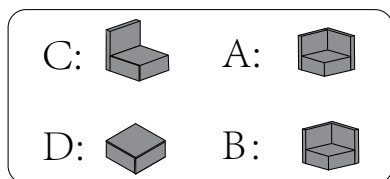
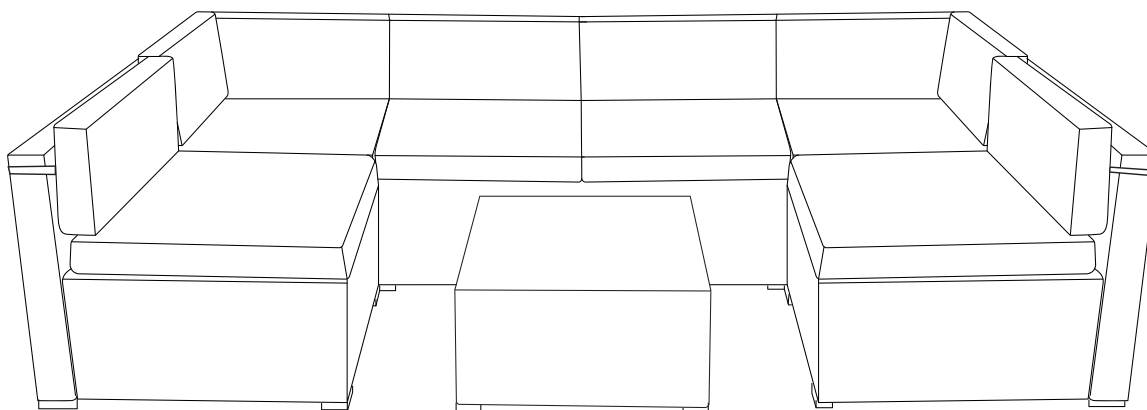
2



Combination

SEVEN-PIECE

1



2

