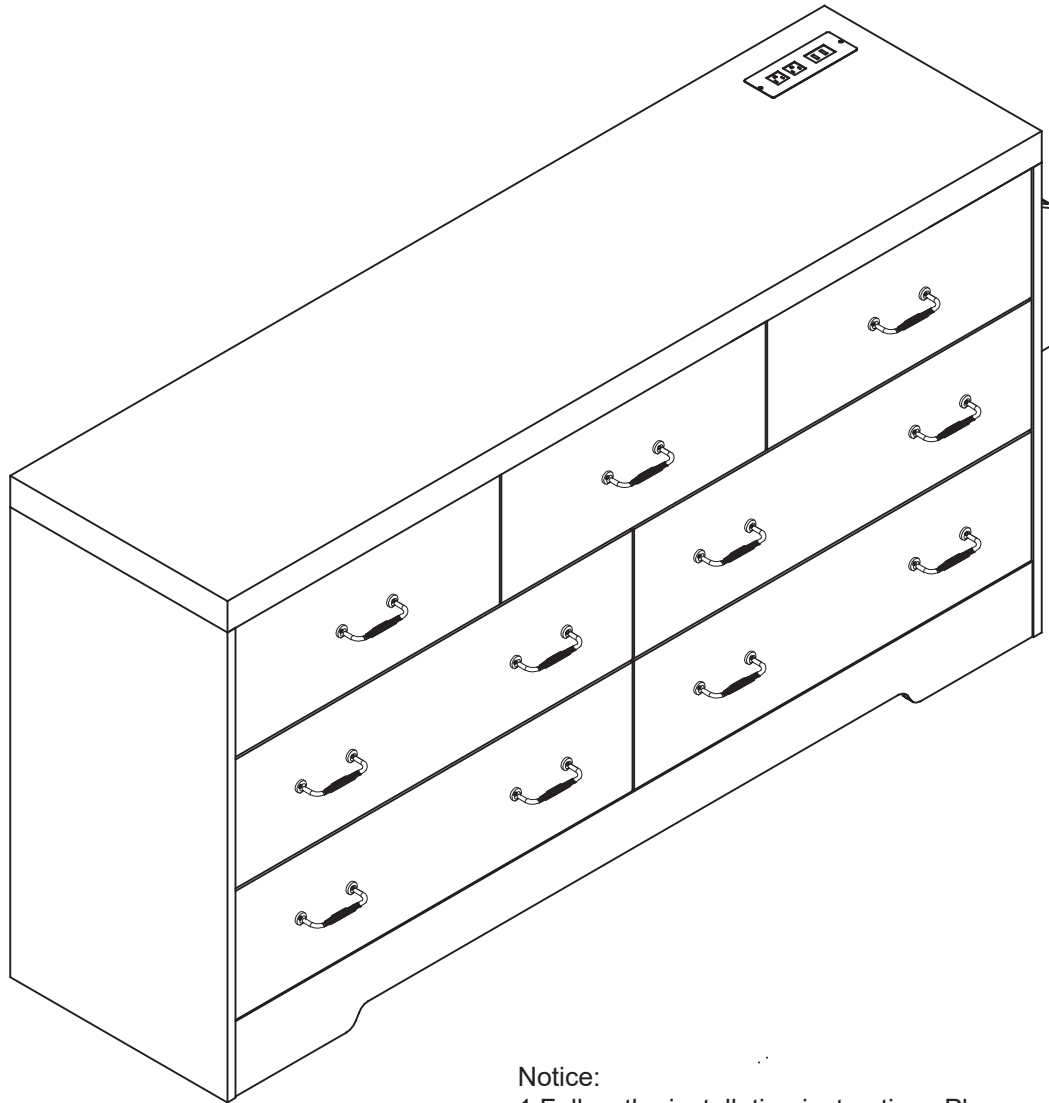


Assembly Instruction

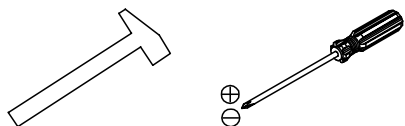
WFNYX

FTBFCB-6021
FTBFCB-6022
FTBFCB-6025



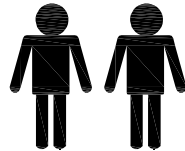
Notice:




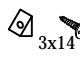



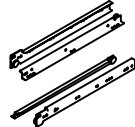




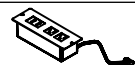

1. Follow the installation instructions. Please confirm all accessories are preset before installation.
2. Do not fully tighten the screws during initial assembly, Fully tighten screws only once all pieces which are correctly assembled.
3. If you encounter any problems during installation, please contact our customer service



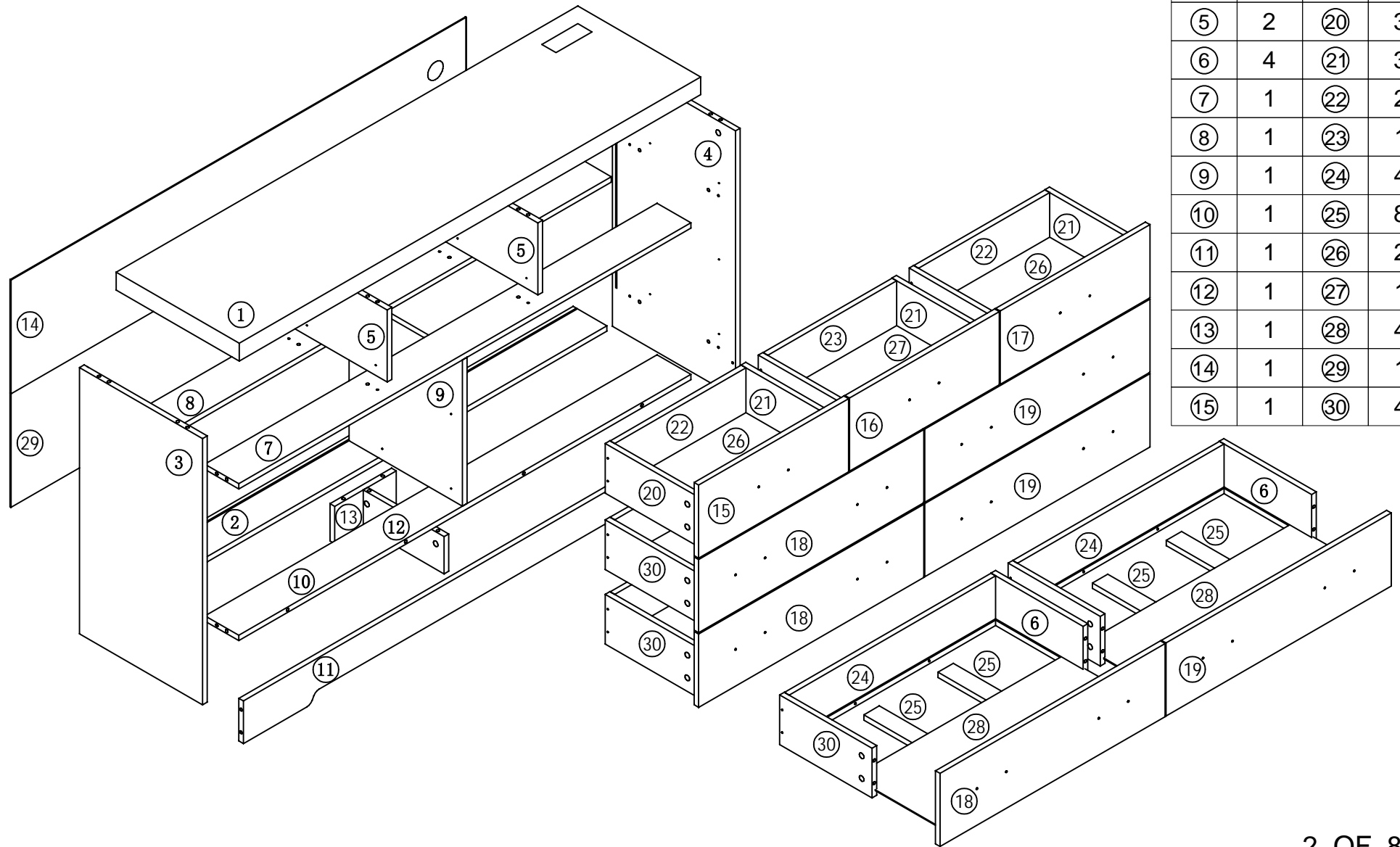
 Hammer and Screwdriver are

 not included !!

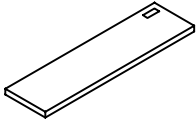
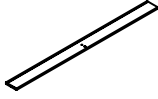
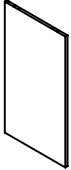
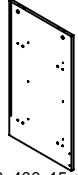
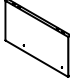
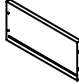
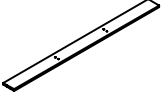
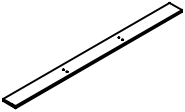
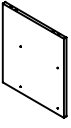
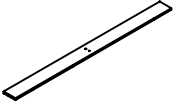
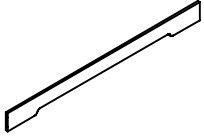
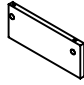
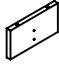
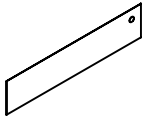

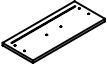
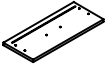
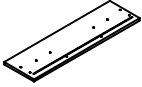
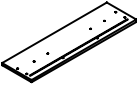
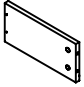
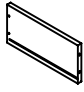
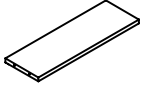
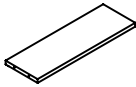
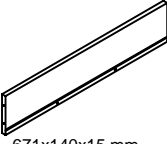

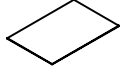
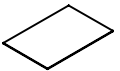
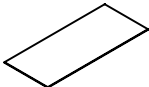
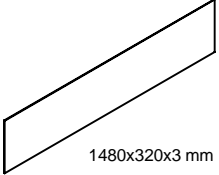
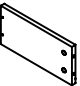


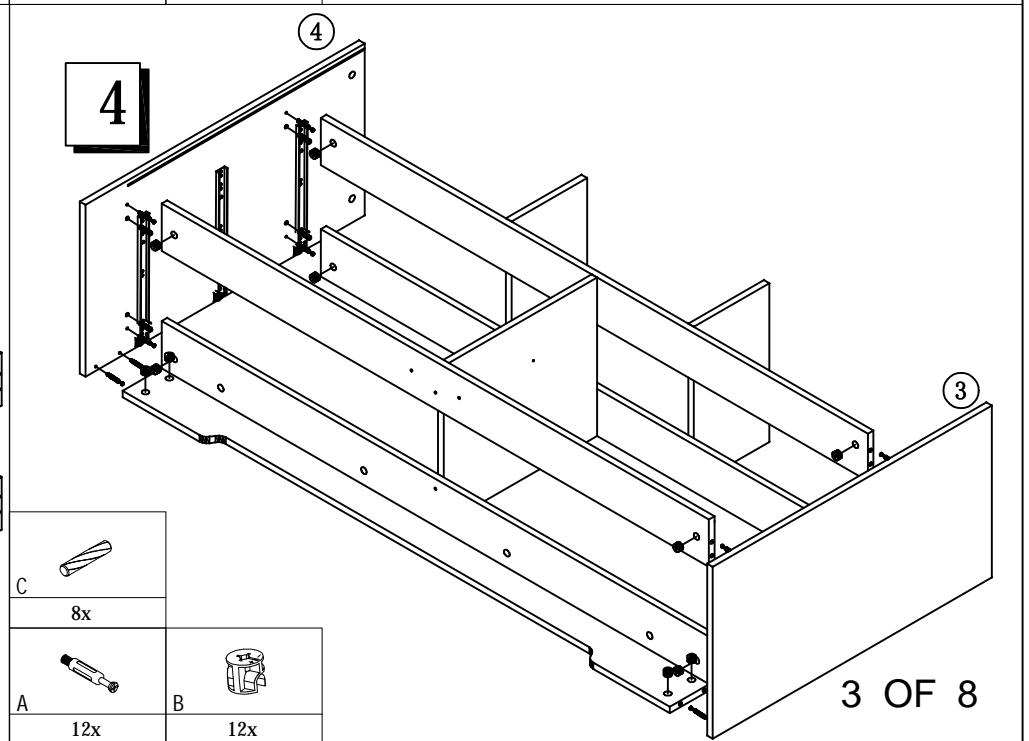
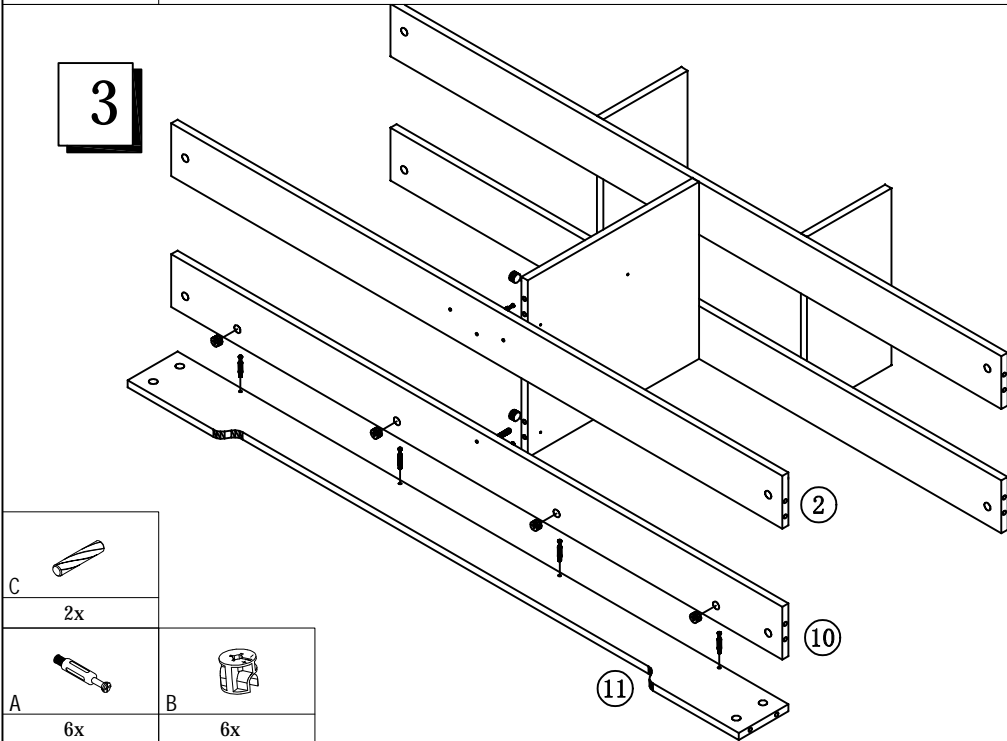
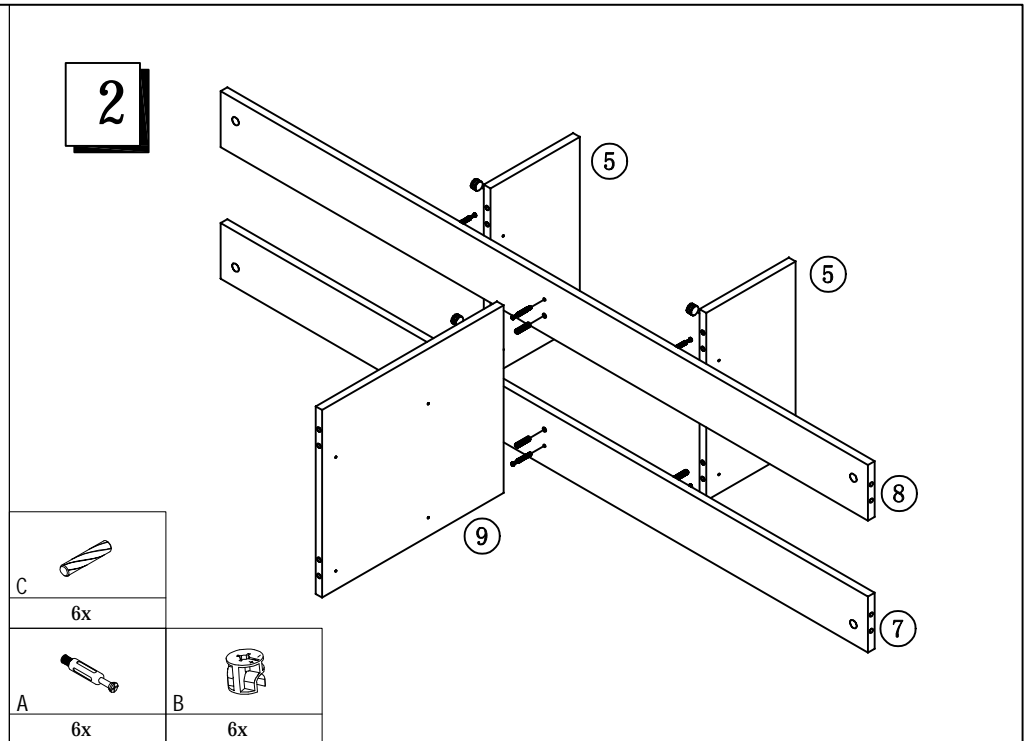
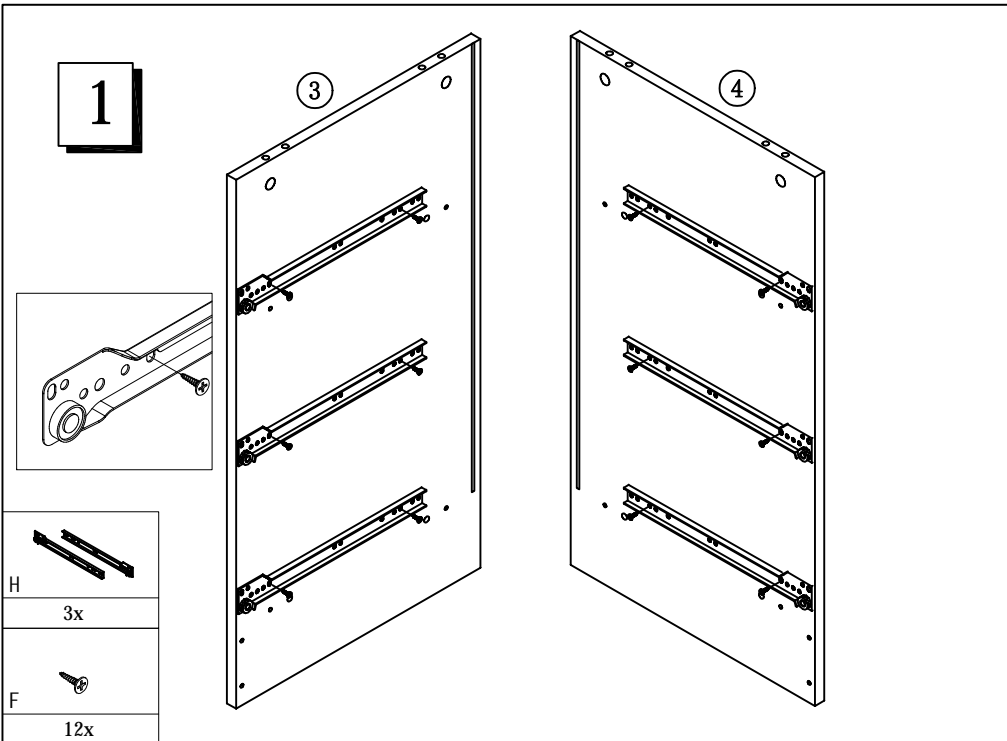
NO.	QTY.	LINEDRAWING
(A)	x80+8	
(B)	x80+8	
(C)	x24+3	 8x40
(D)	x16+2	 3x14
(E)	x30+3	 3.5x35
(F)	x72+8	 3.5x14
(G)	x1	
(H)	x7	
(I)	x2	
(J)	x11	
(K)	x22+3	
(L)	x6	
(M)	x1	
(N)	x2	 3.5x18

PARTS LIST

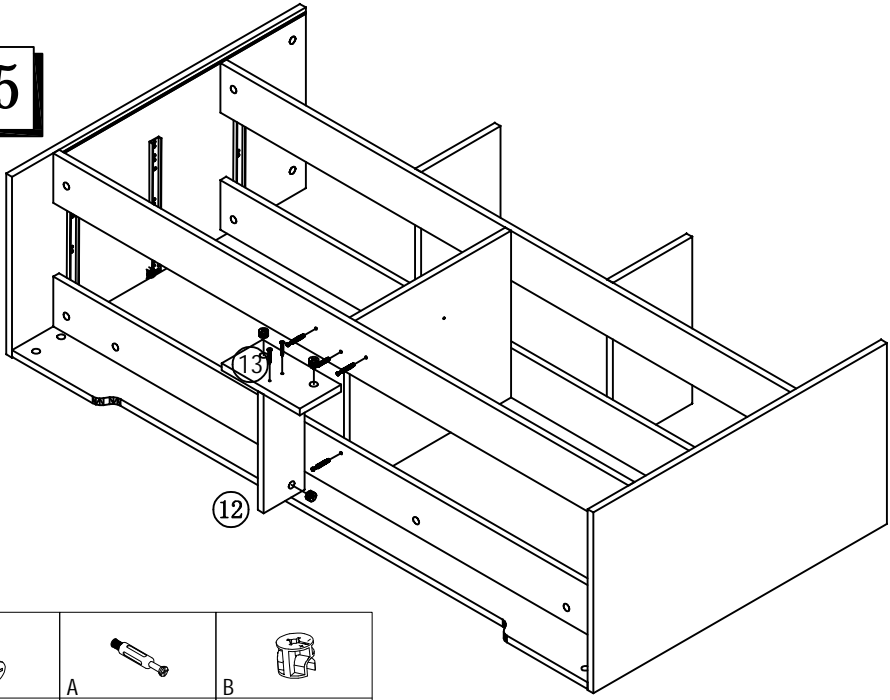





NO.	QTY.	NO.	QTY.
①	1	⑩	8
②	1	⑪	1
③	1	⑫	1
④	1	⑬	4
⑤	2	⑭	1
⑥	4	⑮	4
⑦	1	⑯	2
⑧	1	⑰	1
⑨	1	⑱	2
⑩	1	⑲	2
⑪	1	⑳	3
⑫	1	㉑	3
⑬	1	㉒	2
⑭	1	㉓	1
⑮	1	㉔	4
⑯	1	㉕	8
⑰	1	㉖	2
⑱	1	㉗	1
⑲	1	㉘	4
⑳	1	㉙	1
㉑	1	㉚	4

Part 1 1pcs  1502x400x40 mm	Part 2 1pcs  1470x110x15 mm	Part 3 1pcs  750x400x15 mm	Part 4 1pcs  750x400x15 mm	Part 5 2pcs  203x369x15 mm	Part 6 4pcs  300x140x15 mm	Part 7 1pcs  1470x110x15 mm
Part 8 1pcs  1470x110x15 mm	Part 9 1pcs  412x369x15 mm	Part 10 1pcs  1470x110x15 mm	Part 11 1pcs  1470x120x15 mm	Part 12 1pcs  263x105x15 mm	Part 13 1pcs  200x105x15 mm	Part 14 1pcs  1480x320x3 mm
Part 15 1pcs  487x206x15 mm	Part 16 1pcs  487x206x15 mm	Part 17 1pcs  487x206x15 mm	Part 18 2pcs  732x206x15 mm	Part 19 2pcs  732x206x15 mm	Part 20 3pcs  300x140x15 mm	Part 21 3pcs  300x140x15 mm
Part 22 2pcs  426x140x15 mm	Part 23 1pcs  419x140x15 mm	Part 24 4pcs  671x140x15 mm	Part 25 8pcs  284x50x15 mm	Part 26 2pcs  436x294x3 mm	Part 27 1pcs  429x294x3 mm	Part 28 4pcs  681x294x3 mm
Part 29 1pcs  1480x320x3 mm	Part 30 4pcs  300x140x15 mm					

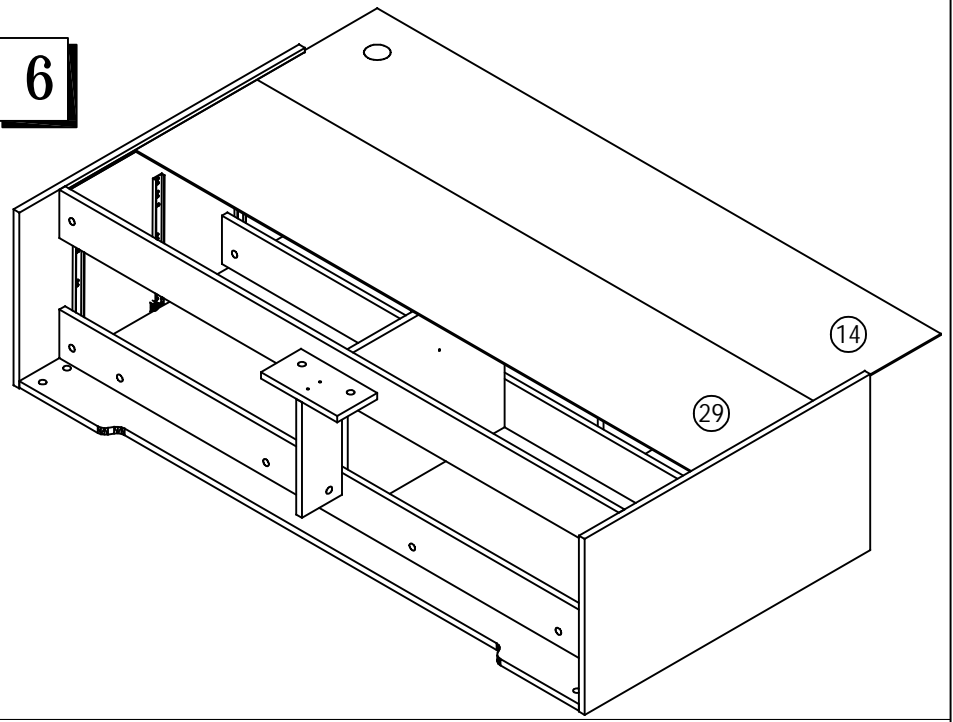


5

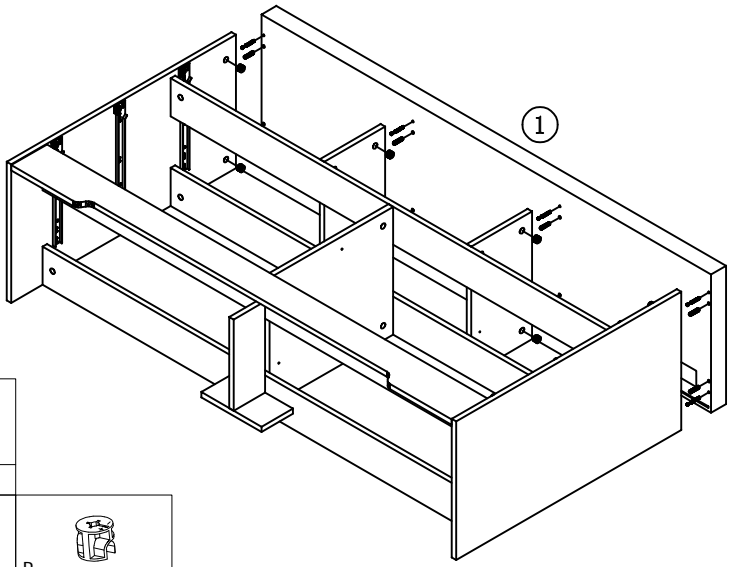





E 	A 	B 
2x	4x	4x

6

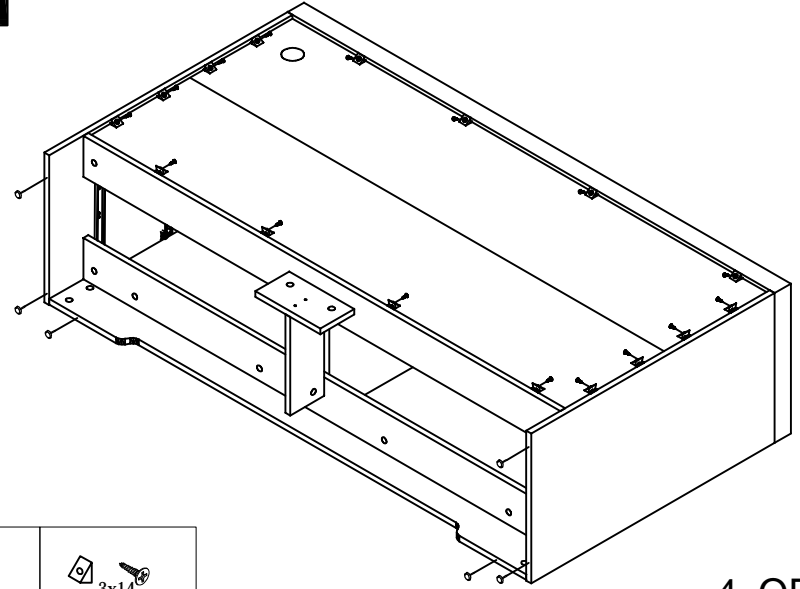



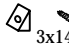
7



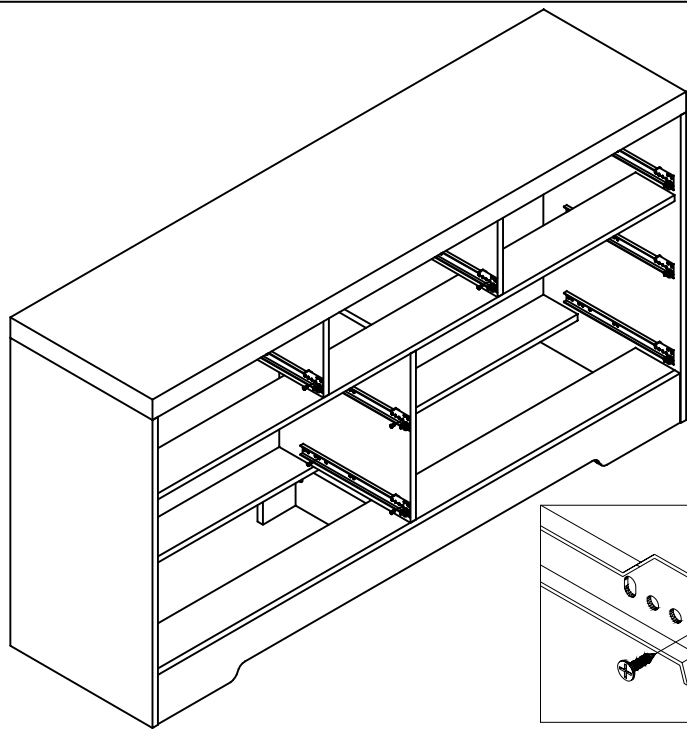
C 	8x
A 	B 
8x	8x



8

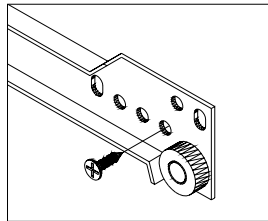


L 	D 
6x	3x14 16x

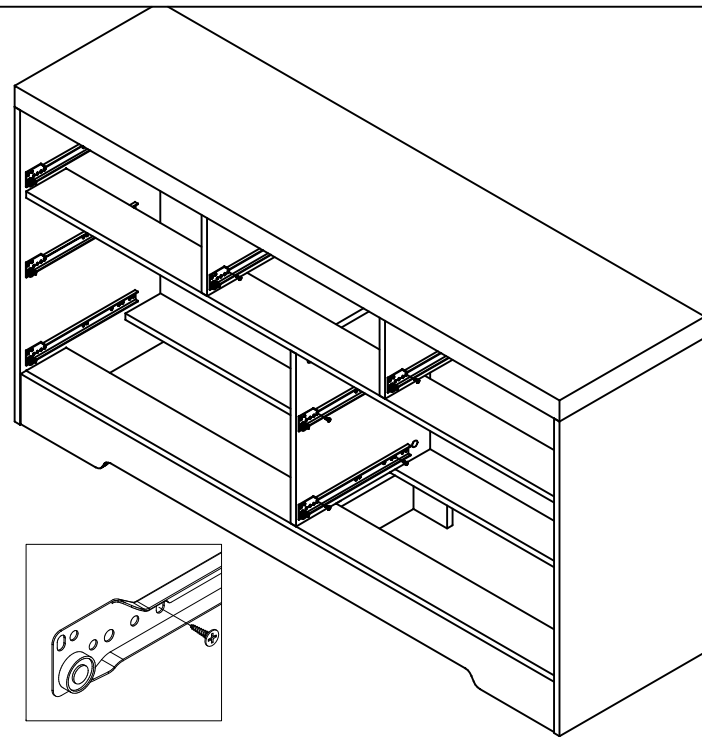
9





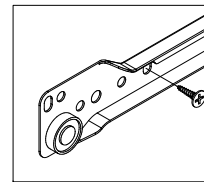
- H  4x
- F  8x



10

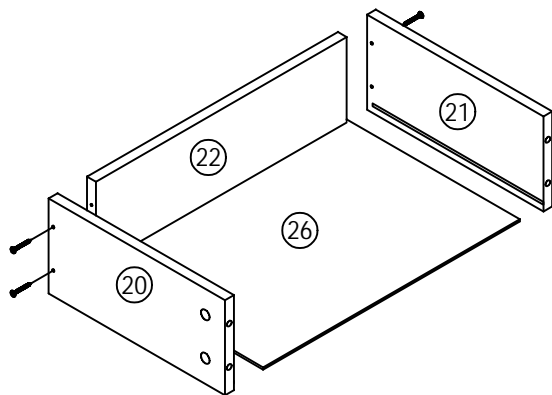



- H  4x
- F  8x



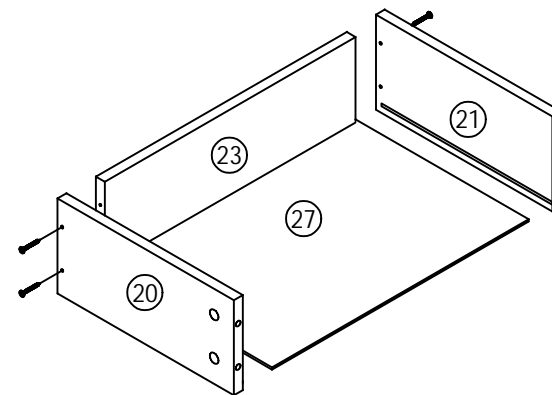
11


x2



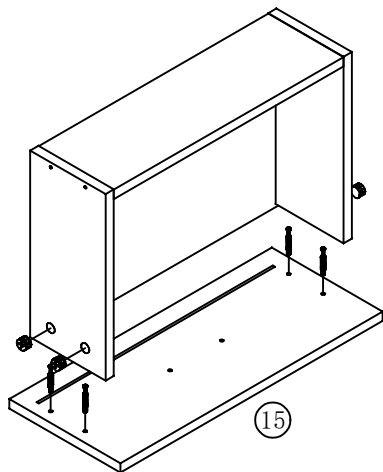
- E  8x



12



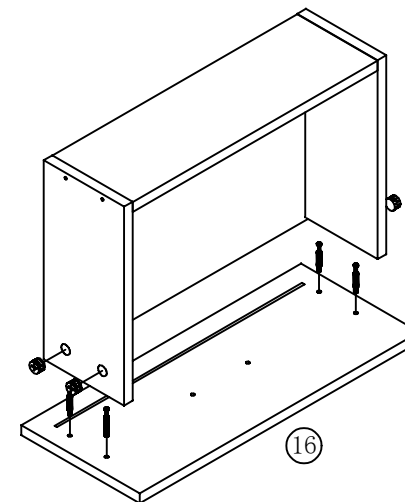
- E  4x



13



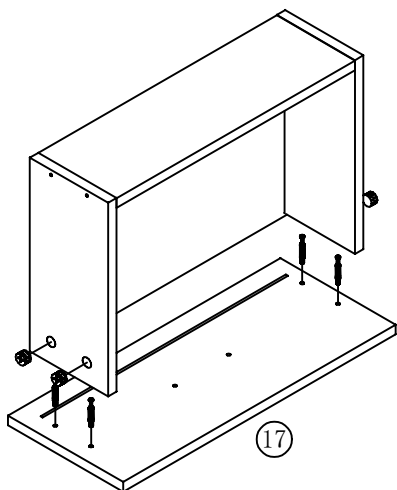
A 	B 
4x	4x



14



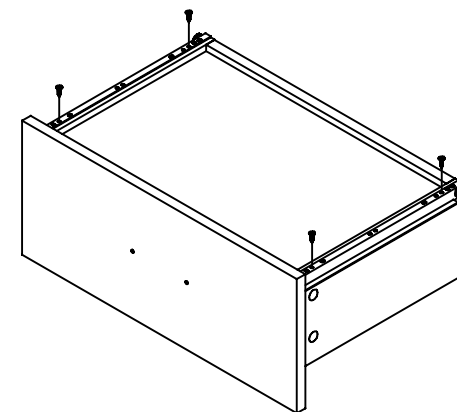
A 	B 
4x	4x



15



A 	B 
4x	4x

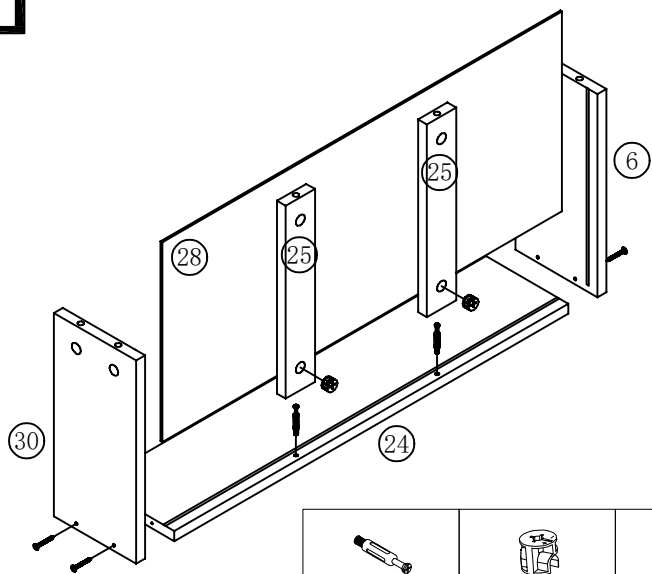
16






H 	F 
3x	12x

17

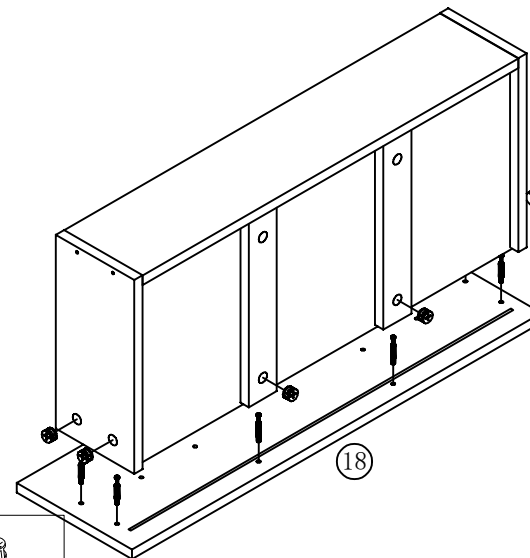
x4





A 	B 	E 
8x	8x	16x

18

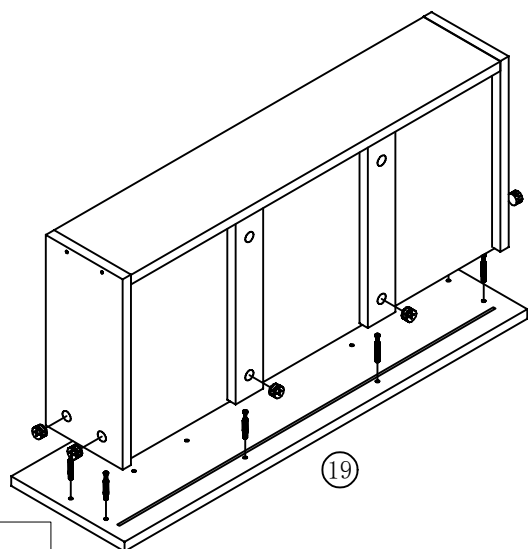
x2





A 	B 
12x	12x

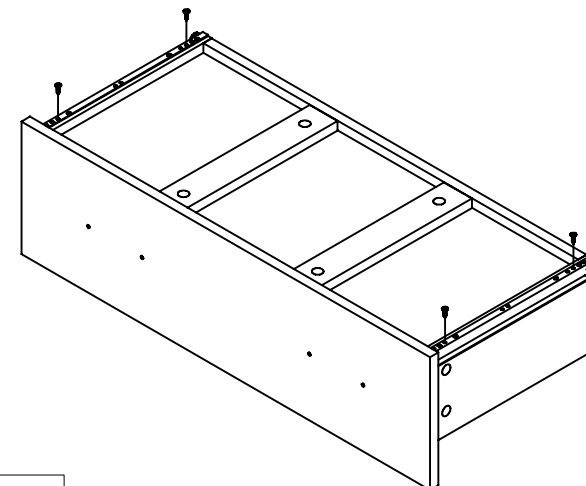
19



x2



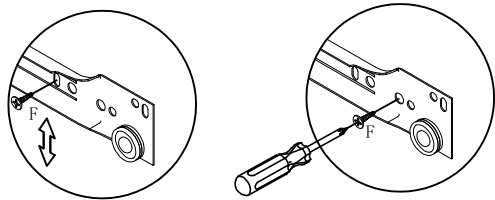
A 	B 
12x	12x

20

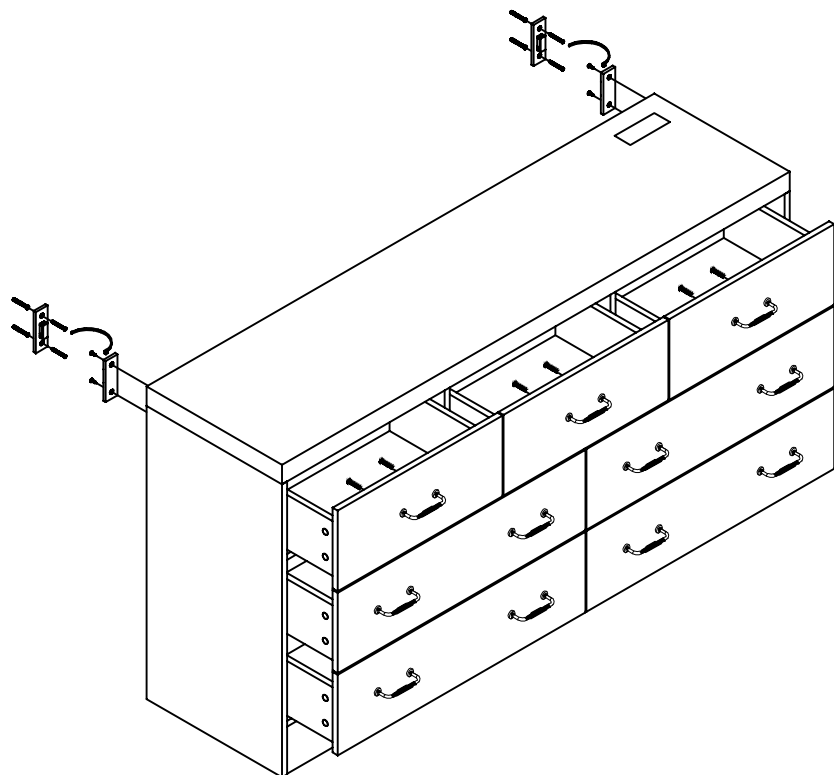


H 	F 
4x	16x

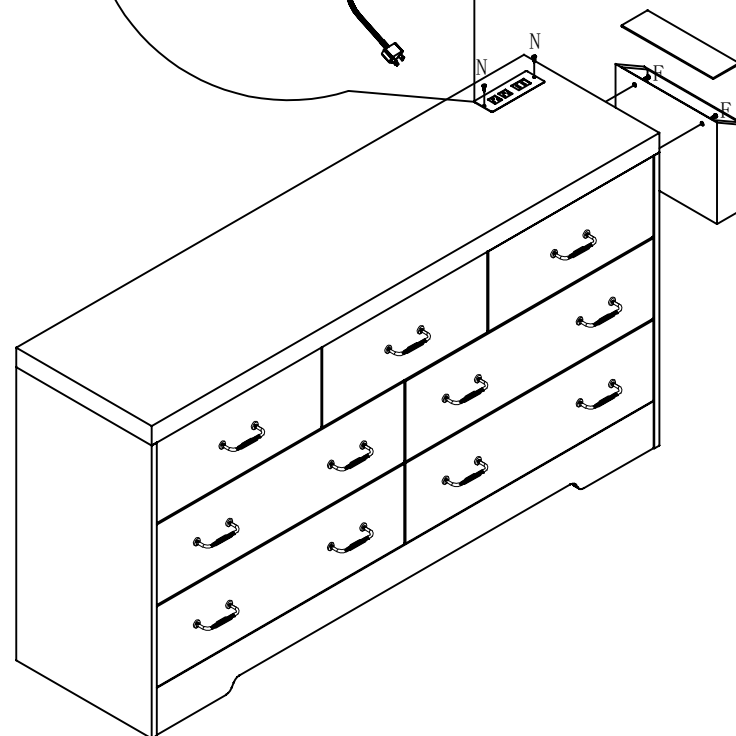
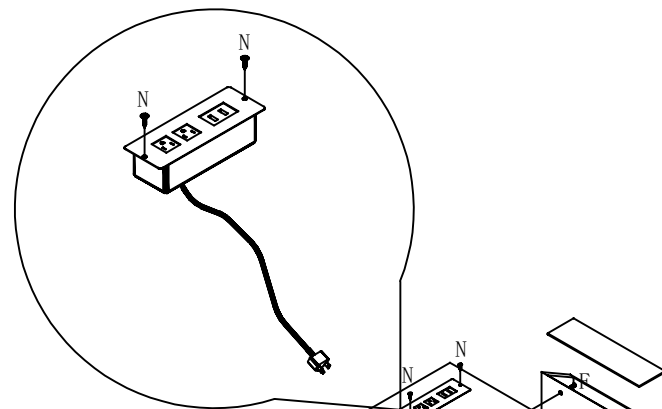
21



Adjust the oval hole up and down to make the drawer in a suitable location, and then you can fix extra screw to make the rails more stable



22



I	J	K	F
2x	11x	22x	14x

M	G	F	N
1x	1x	2x	2x