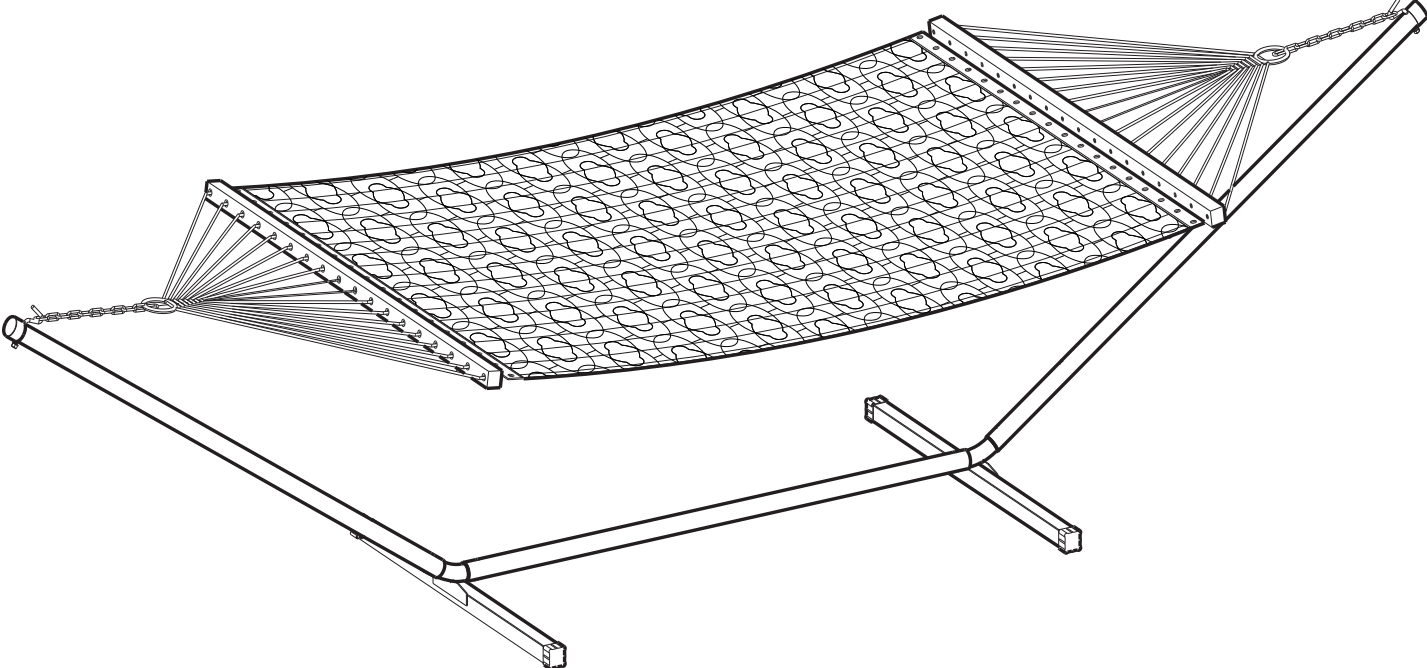


INSTRUCTION MANUAL

Hammock & Stand Combo



SAFETY INSTRUCTIONS

1. Proper Installation

- (1) Carefully read the assembly instructions and ensure all parts are correctly connected, and screws are tightened to secure the frame.
- (2) Perform the installation on a flat and stable surface.

2. Maximum Weight Capacity

- (1) Do not exceed the hammock's maximum weight limit 500LB.
- (2) Overloading may cause damage to the hammock or pose safety risks.

3. Safe Usage

- (1) Ensure the hammock's chains and ropes are secure and free from looseness before use.
- (2) Enter and exit the hammock slowly and carefully to avoid tipping or injury. Avoid excessive swinging or jumping.
- (3) Children must be supervised by an adult while using the hammock.

4. Environmental Conditions

- (1) Place the hammock on a flat, sturdy surface to maintain stability.
- (2) Avoid using the hammock on wet, slippery, soft, or inclined surfaces.
- (3) Keep the hammock away from open flames, sharp objects, or hazardous areas to prevent damage to the ropes or fabric.

5. Maintenance and Care

- (1) Regularly check all components, such as the frame, chains, and ropes, to ensure there are no signs of wear or looseness.
- (2) Clean the hammock using warm water and a soft cloth. Avoid using corrosive cleaning agents.
- (3) If not in use for an extended period, store the hammock in a dry, ventilated area. Protect it from direct sunlight and rain to prolong its lifespan.

6. Prohibited Actions

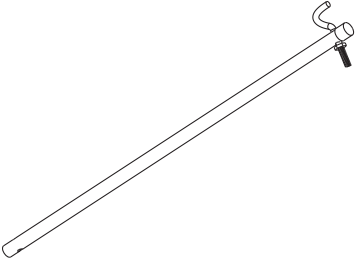
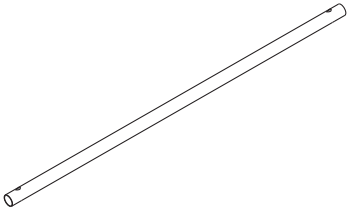
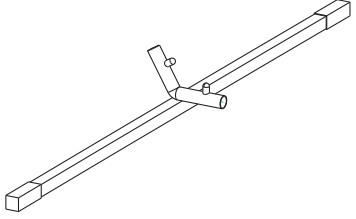

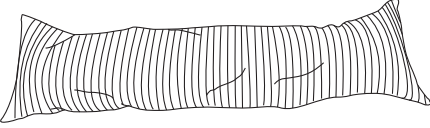

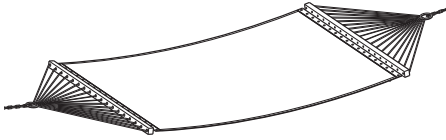

- (1) Do not stand, jump, or perform vigorous movements on the hammock.
- (2) Do not use the hammock while intoxicated or in a fatigued state to avoid accidents.

Disclaimer

1. This hammock is designed for leisure purposes only. Any non-recommended use may lead to accidents, and the user assumes full responsibility for any resulting risks.
2. The manufacturer and retailer shall not be liable for any injury or property damage caused by improper installation, overloading, or failure to follow the safety warnings in this manual.
3. Damages, wear and tear, or natural aging of the product are not covered under warranty.
4. The manufacturer reserves the right to make final interpretations and modifications to this product manual.

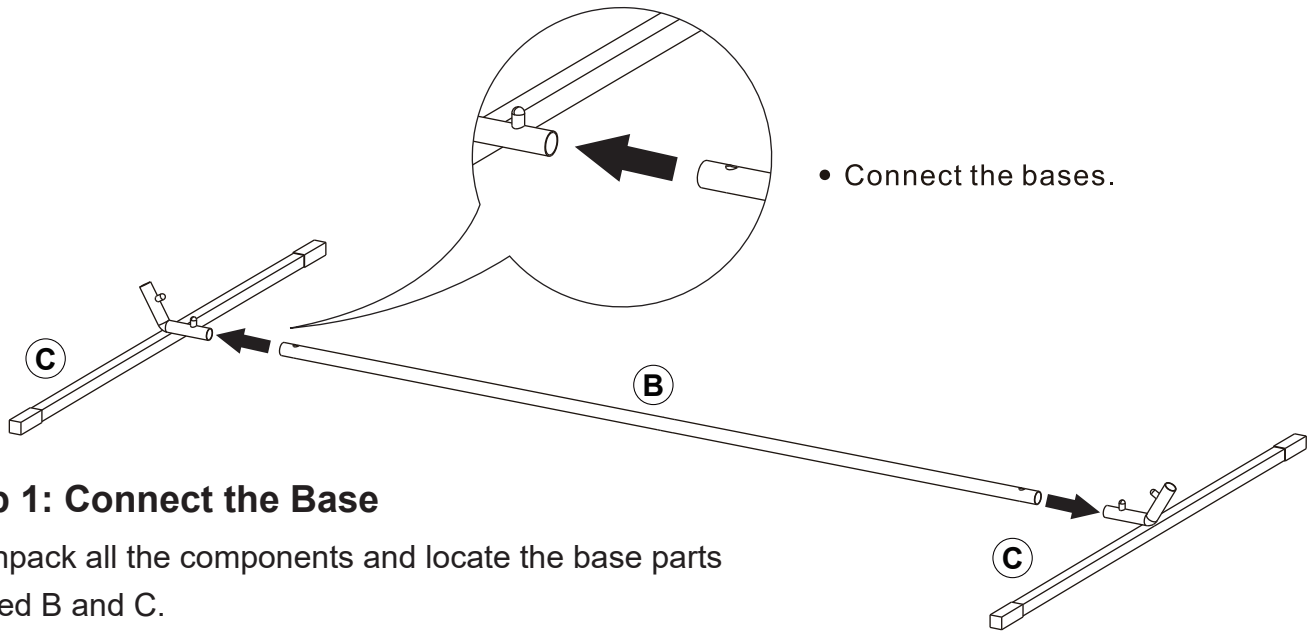
Reminder: For your safety, always check the stability of the hammock and its frame before use. If any parts are damaged, discontinue use immediately and contact the supplier or manufacturer for a replacement.

PART LIST

<p>A x2</p>  <p>Slanted Tube</p>	<p>B x1</p>  <p>Intermediate Tube</p>	<p>C x2</p>  <p>Bottom Tube</p>
<p>D x1</p>  <p>Net hammock</p>	<p>E x1</p>  <p>Pillow</p>	<p>F x1</p>  <p>Stand Organizer</p>
<p>G x1</p>  <p>Hammock - Mattress</p>	<p>H x1</p>  <p>Hammock Organizer</p>	

ASSEMBLY INSTRUCTION

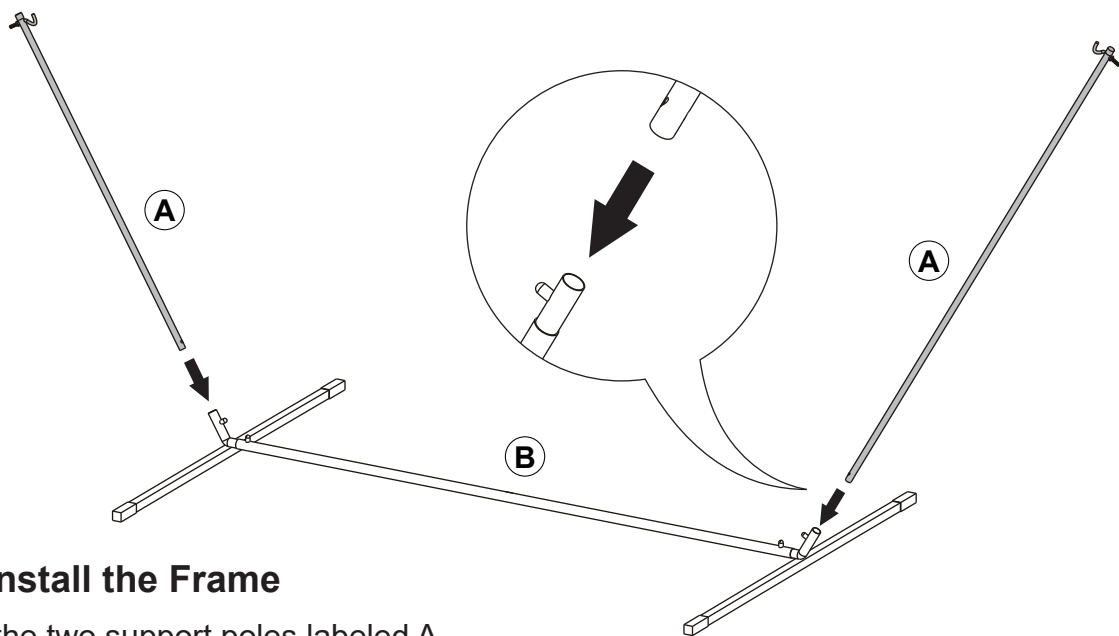
1



Step 1: Connect the Base

- (1)Unpack all the components and locate the base parts labeled B and C.
- (2)Insert the two C components into each end of the B component, ensuring they are securely connected.
- (3)Double-check to make sure the connection is stable.

2



Step 2: Install the Frame

- (1)Locate the two support poles labeled A.
- (2)Insert the bottom end of each A component into the sockets at both ends of the assembled base C.
- (3)Ensure that the A components are fully inserted and firmly attached to the base.

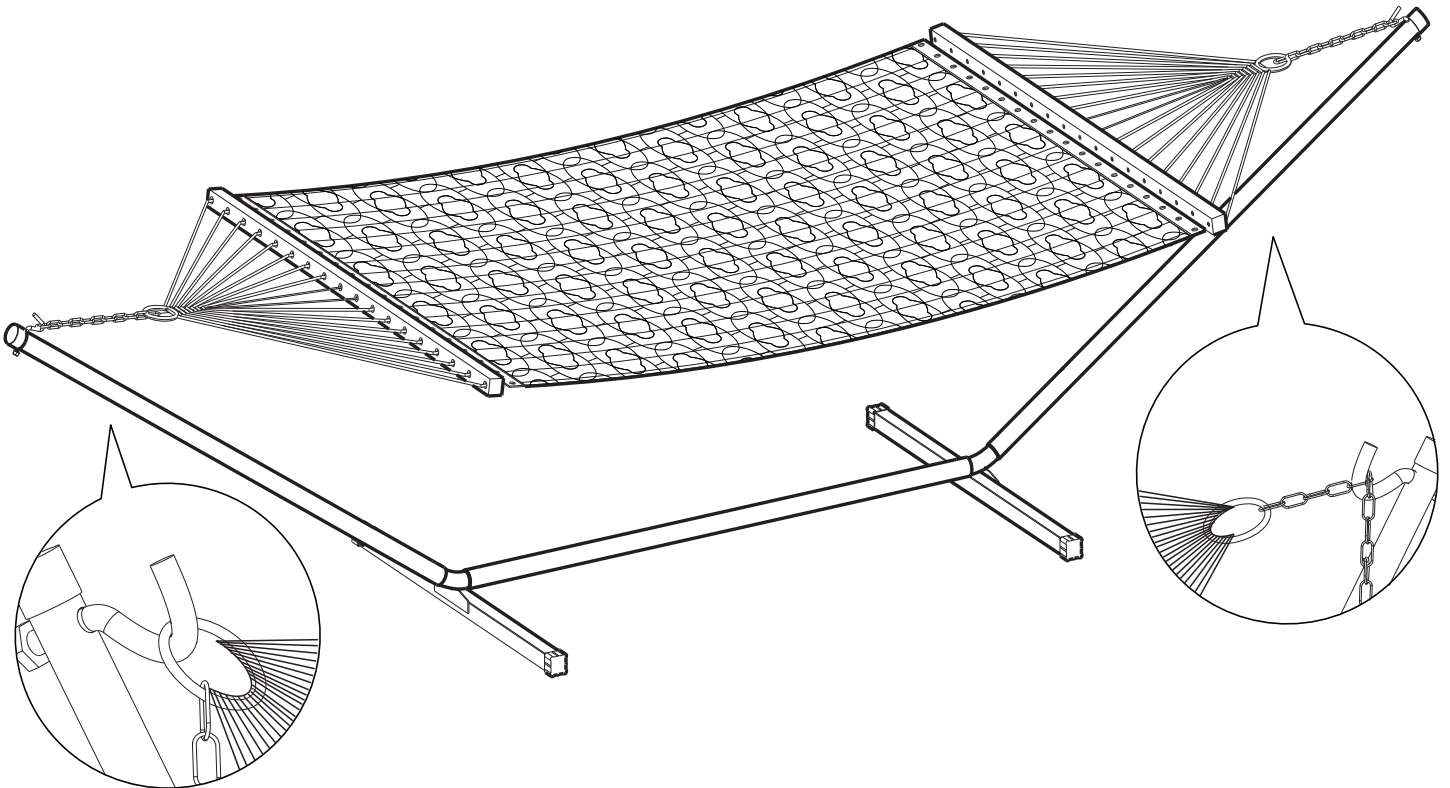
Step 3: Assemble the hammock bracket

(1)Unpack all the components and locate the base parts labeled B and C.

(2)Insert the two C components into each end of the B component, ensuring they are securely connected.

(3)Double-check to make sure the connection is stable.

- Adjust the height of the hammock by hanging the chain on the hook.
- Note: The lower the number of chains used, the higher the hammock is off the ground.



Step 4: Hang the Net hammock

- (1) Take out the Net hammock D and the included chains.
- (2) Attach one end of the chain to the metal ring on the hammock fabric and the other end to the hook at the top of the A support poles.
- (3) Adjust the chain length as needed. The shorter the chain, the higher the hammock will be off the ground; the longer the chain, the lower the hammock will hang.
- (4) Make sure the Net hammock is level and securely hung.

Step 5:

The last step, very simple, we will lay the hammock - mattress on the net hammock, tie the tie rope, then, tie the two ends of the pillow and fix it to one end, so that you can lie more comfortable and soft.

Notes

- (1) Before use, ensure that all connections of the hammock are tight and firm to ensure that the hammock remains stable during use.
 - (2) The height of the hammock can be adjusted by changing the chain length.
 - (3) Be careful when installing, so as not to clip your fingers.
- Your hammock is now fully assembled and more stable after the installation of the balance rope.
Enjoy!"

SPECIFICATIONS

Color	White Grey/Grey/Blue
Item Weight	39.2 pounds
Product Dimensions	122.05"L*55.12"W

**If you have any questions,
please contact us!**