

Product name

Storage Bookcase

Ok, let's get rolling

Estimated time for assembly



40:00

What you need

- Some of your favourite bubbly or your preferred relaxant
- Use the packaging carton as a working surface to prevent product damage during assembly
- Phillips head screwdriver (not included)
- Drill - 1/4" Drill bit (not included)

Weight Limitation



55

lbs per shelf

30

lbs per drawer

What's included

Code	Description	Qty
A	Left side frame base support	1
B	Bookcase frame support (top with wall mount)	2
C	Right side frame base support	1
D	Bookcase joint attachment	2
E	Bookcase bottom support	1
F	Top panel of cabinet	1
G	Bottom panel of cabinet	1
H	Left front side panel	1
I	Right front side panel	1
J	Left back side panel	1
K	Right back side panel	1
L	Upper drawer front	1
M	Bottom drawer front	1
N	Left side panel of upper drawer	1
O	Right side panel of upper drawer	1

What's included

Code	Description	Qty
P	Back panel of upper drawer	1
Q	Left side panel of bottom drawer	1
R	Right side panel of bottom drawer	1
S	Back panel of bottom drawer	1
T	Bottom panel of drawer	2
U	Back panel of cabinet	1
V	Bookcase shelves	3

The goods

A



B



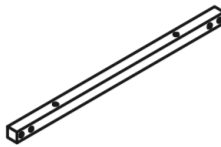
C



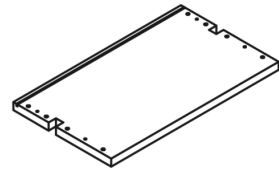
D



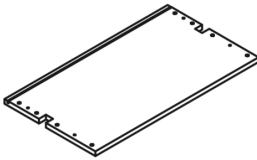
E



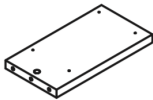
F



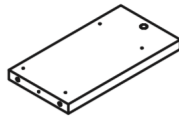
G



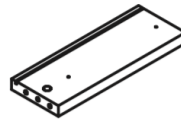
H



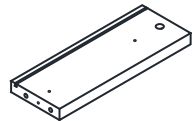
I



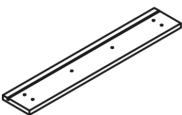
J



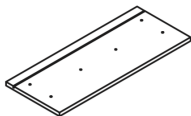
K



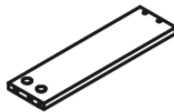
L



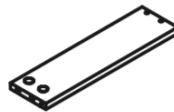
M



N



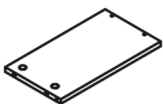
O



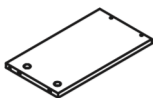
P



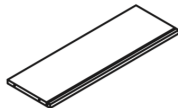
Q



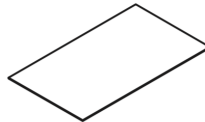
R



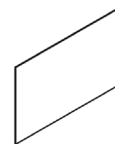
S



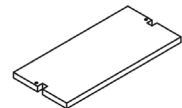
T



U



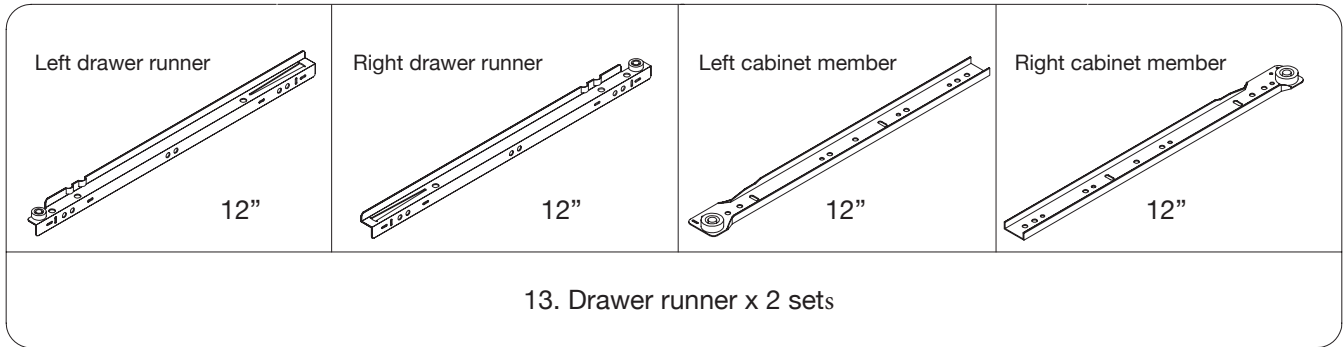
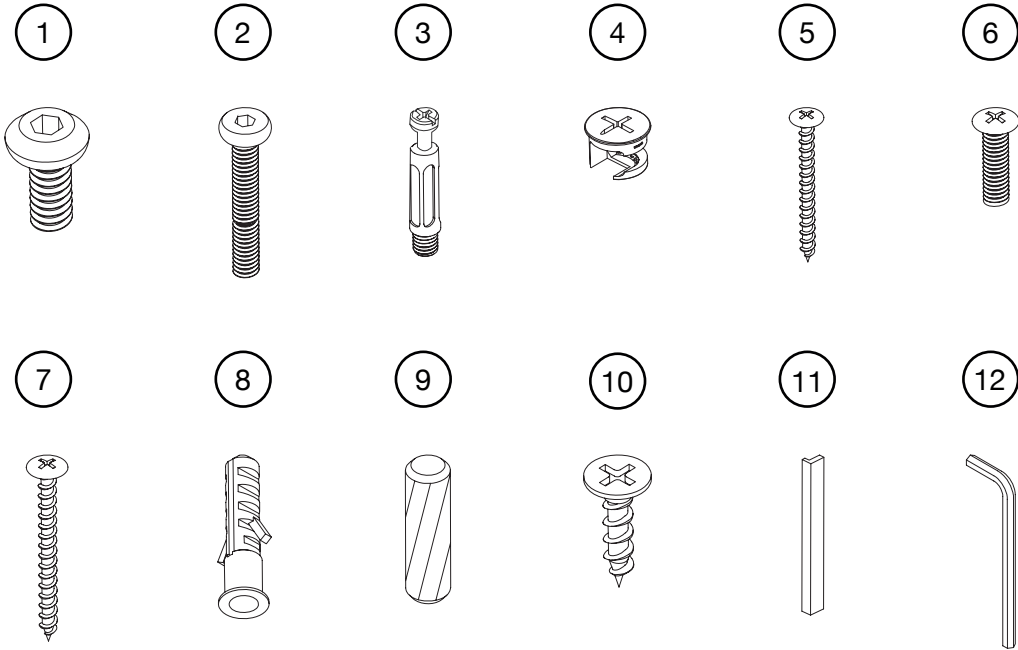
V



What's included

Code	Description	Qty	Code	Description	Qty
1	M6*15MM bolt	14	8	M6*30MM wall anchors	2
2	M6*35MM bolt	2	9	M8*30MM wooden dowel	16
3	M6*30MM cam bolt	12	10	M3.5*12MM screw	24
4	Φ 15*9.5 MM cam lock	12	11	Handle	2
5	M4*40MM screw	12	12	Allen key	1
6	M4X20MM bolt	4	13	Drawer runner set	8
7	M4.2*32MM screw	2			

The goods

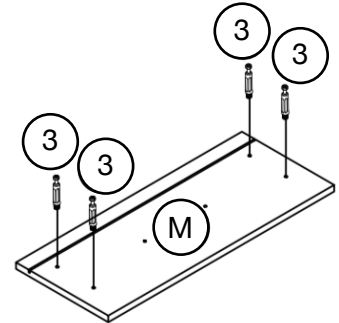
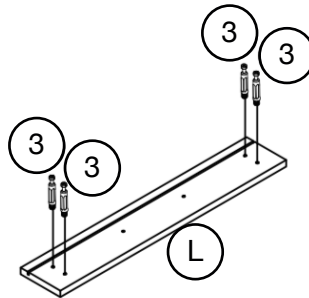
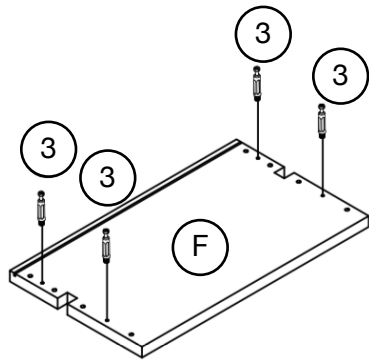


IMPORTANT:

1. Do not tighten bolts / screws completely until all bolts / screws are lined up and inserted into holes.
2. Do not over tighten screws and bolts to avoid stripping.
3. Please use hand tools to assemble this product. Do not use power tools.

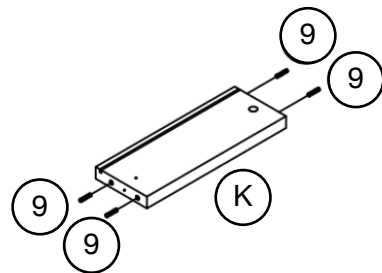
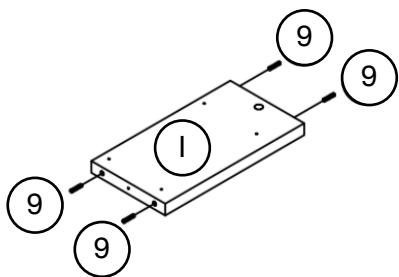
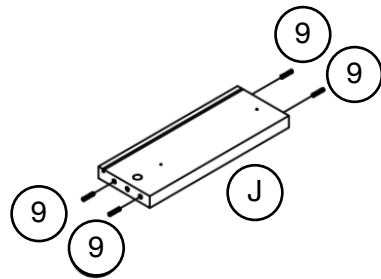
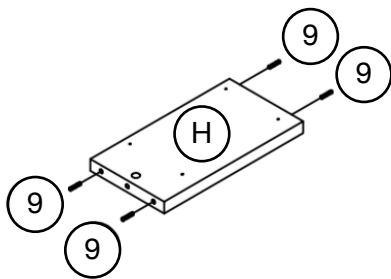
Step 1

Lay down the packaging carton or use carpet as a working surface and let's fire this thing up!



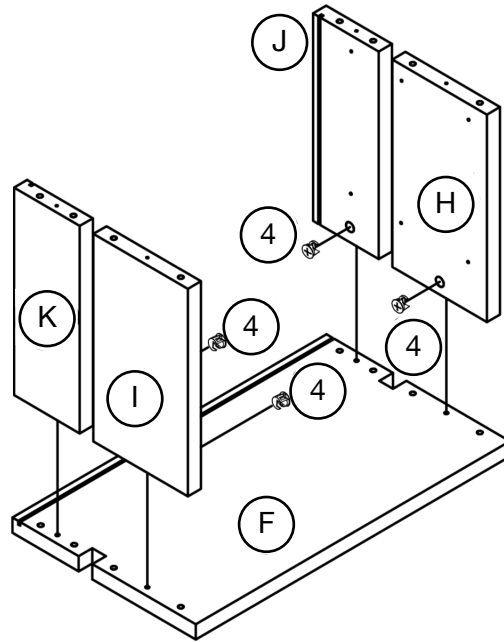
Step 2

Attach the wooden dowels.



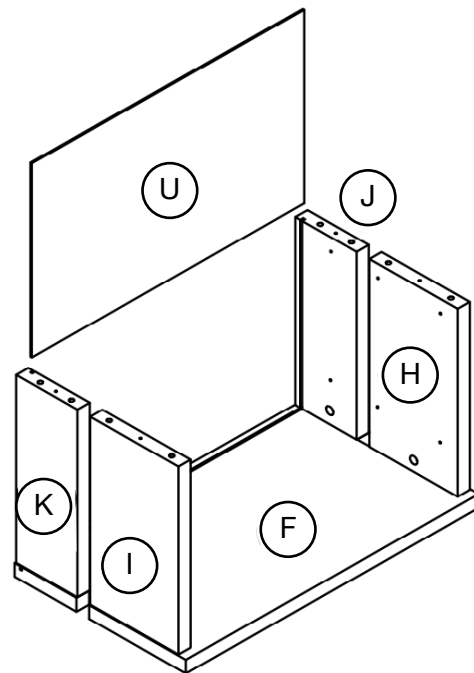
Step 3

Now attach the side panels to the top panel.
You're doing great!



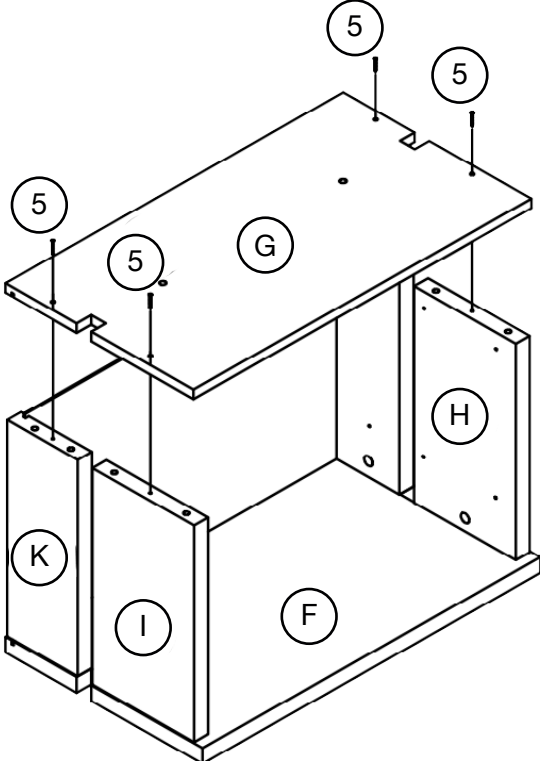
Step 4

Slide the back panel in the grooves until fitted securely.



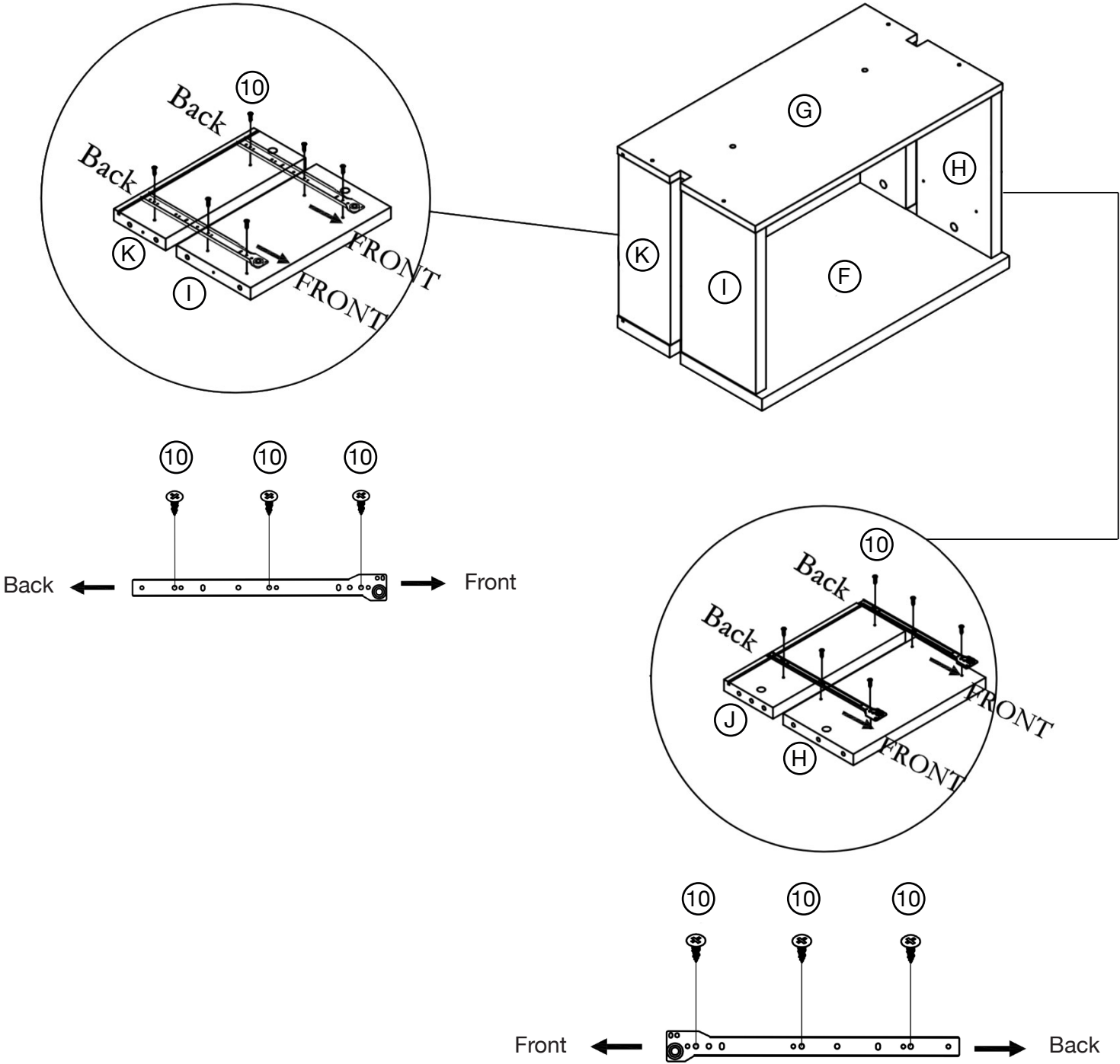
Step 5

Screw in bottom panel of cabinet.



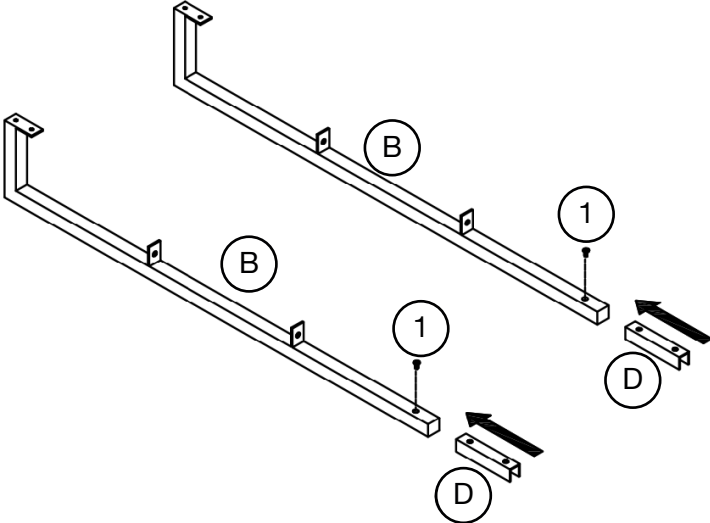
Step 6

Attach the cabinet members to the sides of the drawers, paying careful attention to screw them in the correct way!



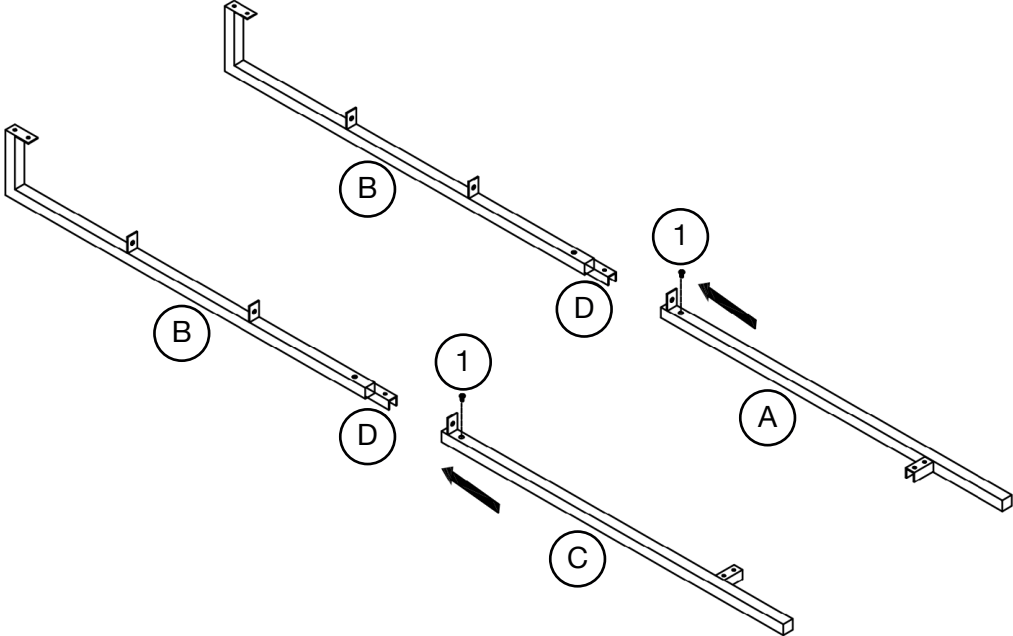
Step 7

Screw in part D to part B for both sets.



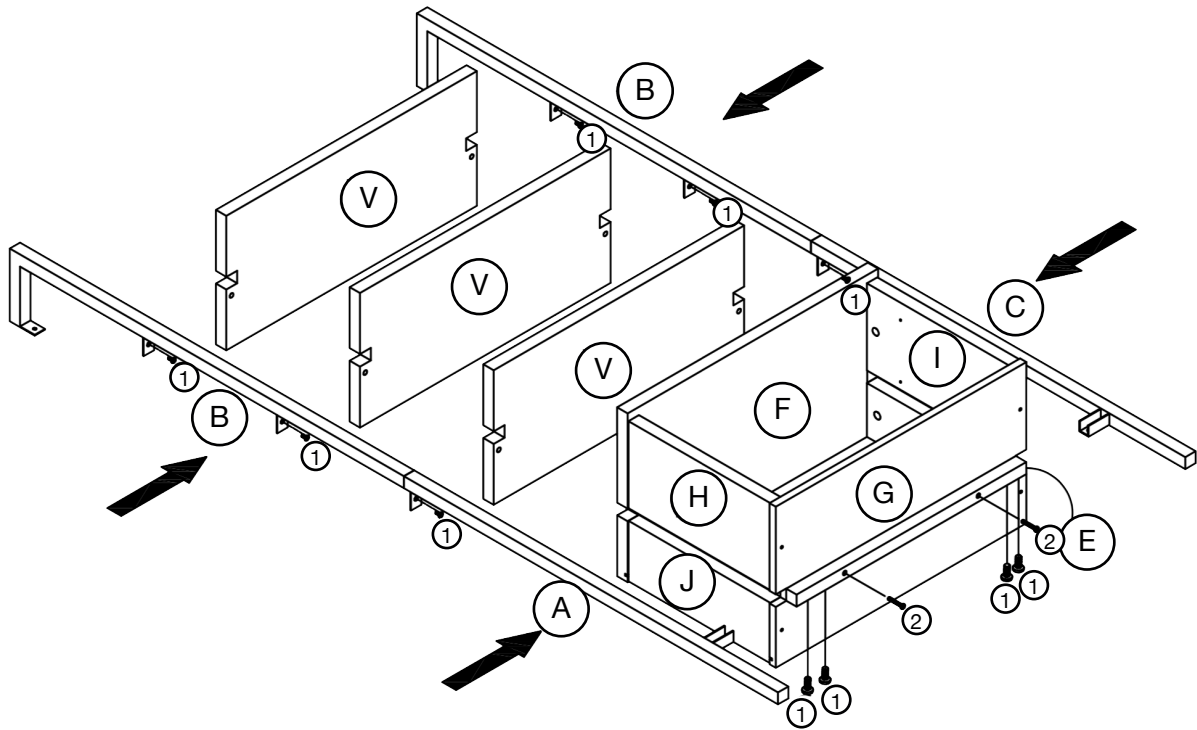
Step 8

Screw in the left and right side base frame supports. Now we're cookin'!



Step 9

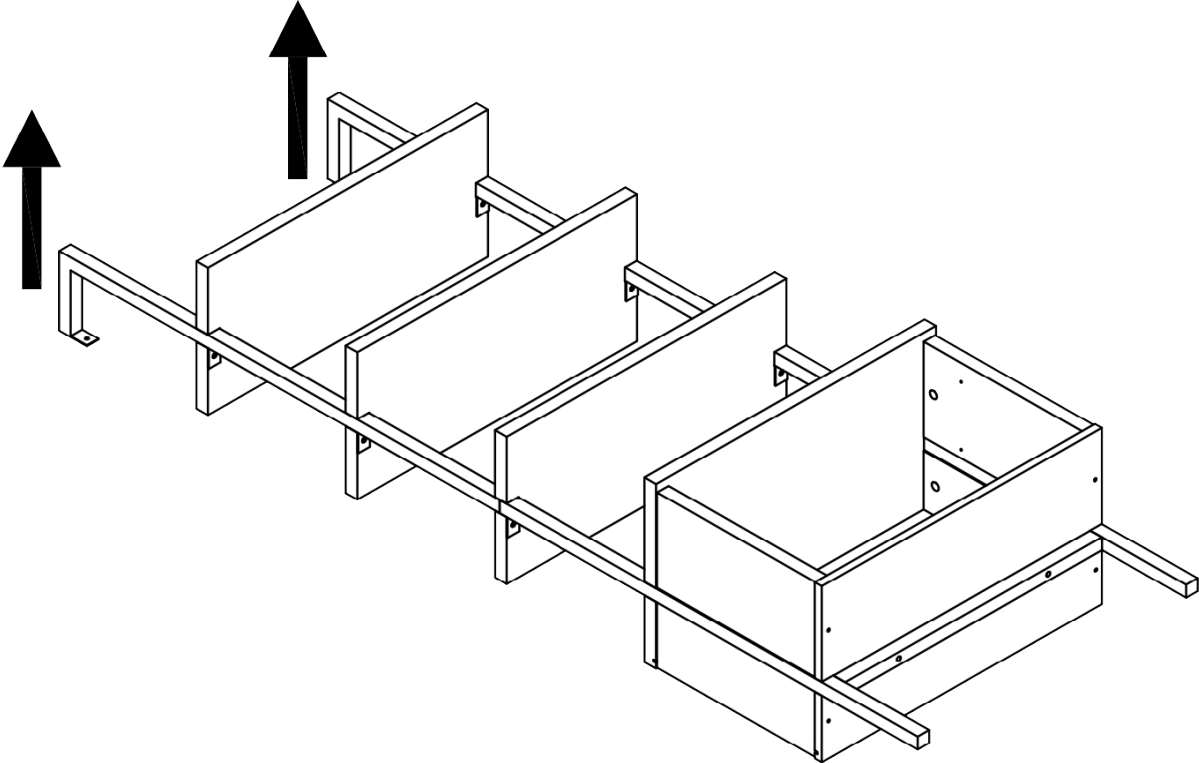
Line up the bookcase shelves (part V) and the side supports and screw together tightly.



Heads up: the next step you'll need some help from a friend so start thinking of who you're going to ask now! Also start thinking about what pizza toppings you're going to order when this is all said and done!

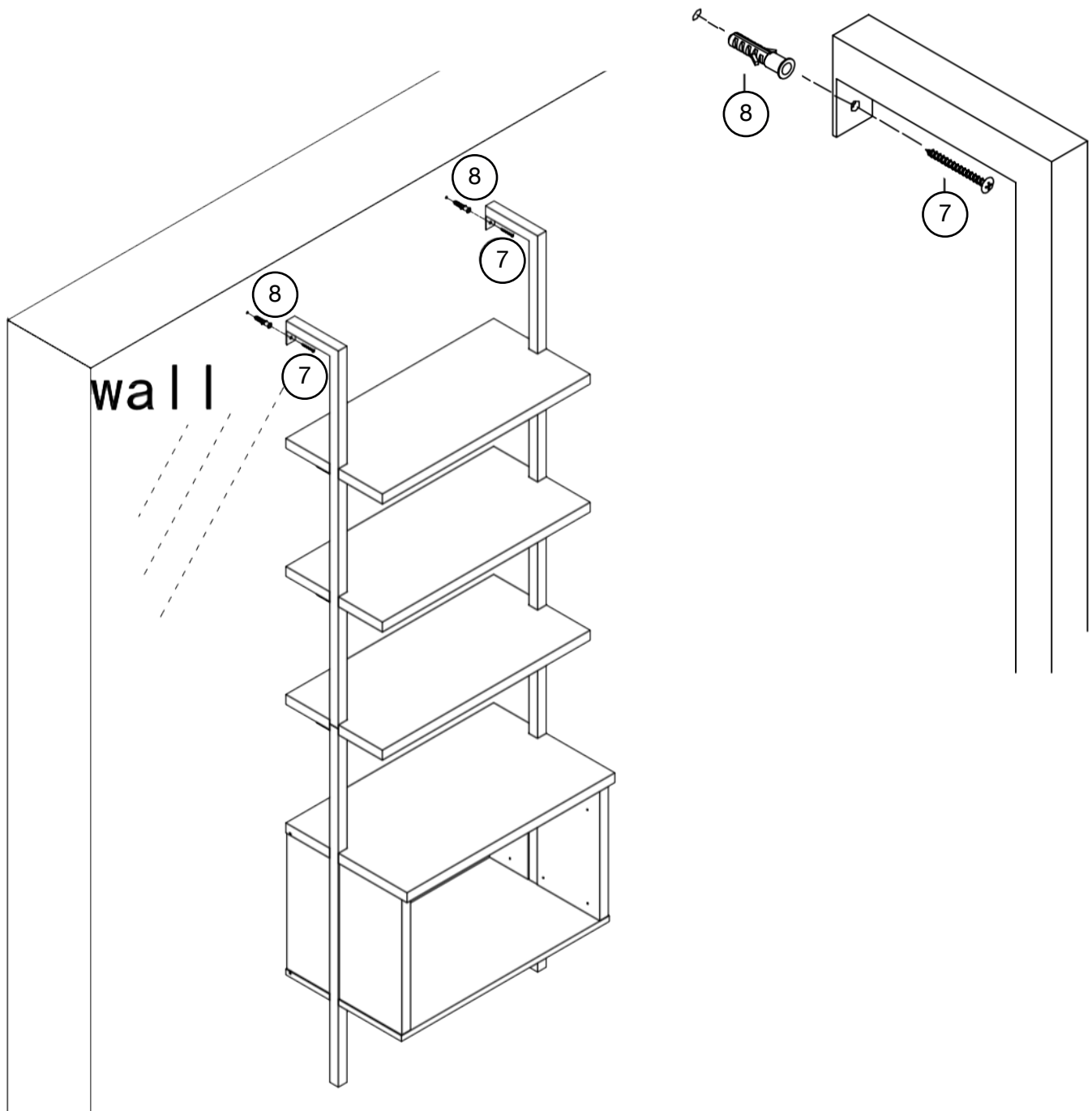
Step 10

Grab a friend and have them help you lift the
bookcase right side up!



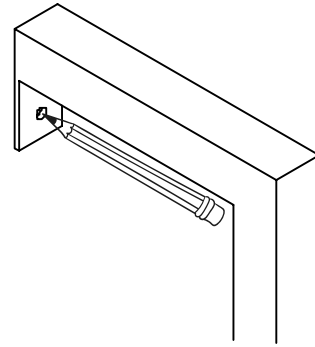
Step 11

Ok, we will admit this is our least favorite step, also.
But, it's worth the possible 20-second meltdown
because everything will look SO clean at the end!



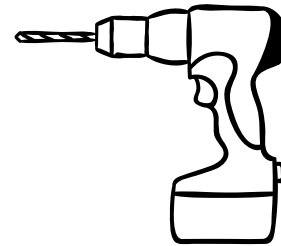
Mark it

Chose your desired location on the wall, have your friend hold the bookcase in place and use a pencil to mark where the anchor will go.



1/4 Drill bit

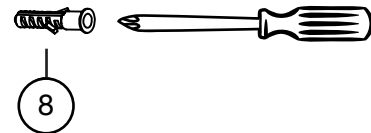
Move bookcase to the side and following the mark you just made. With a 1/4 drill bit, drill 2 holes into the wall.



Phillips screwdriver

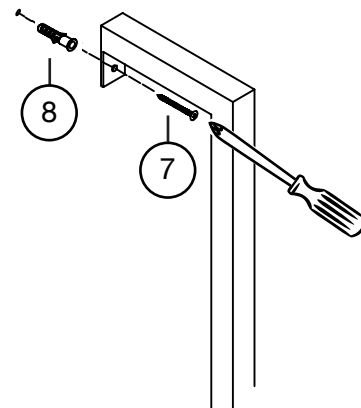
Following the mark you just made. Using your phillips head screw driver, screw the plastic anchors into the holes until they are flush to the wall.

If you're feeling strong, just go ahead and push it in.



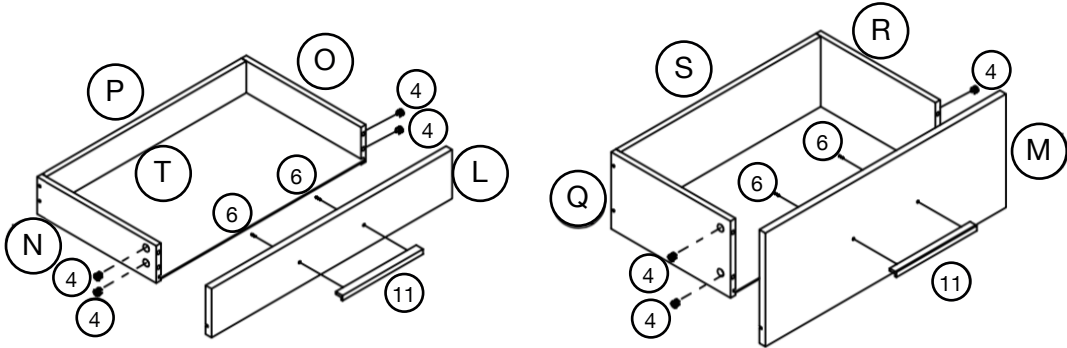
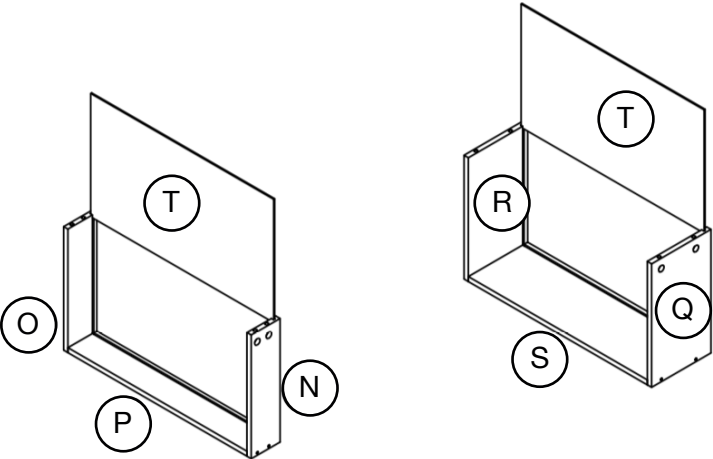
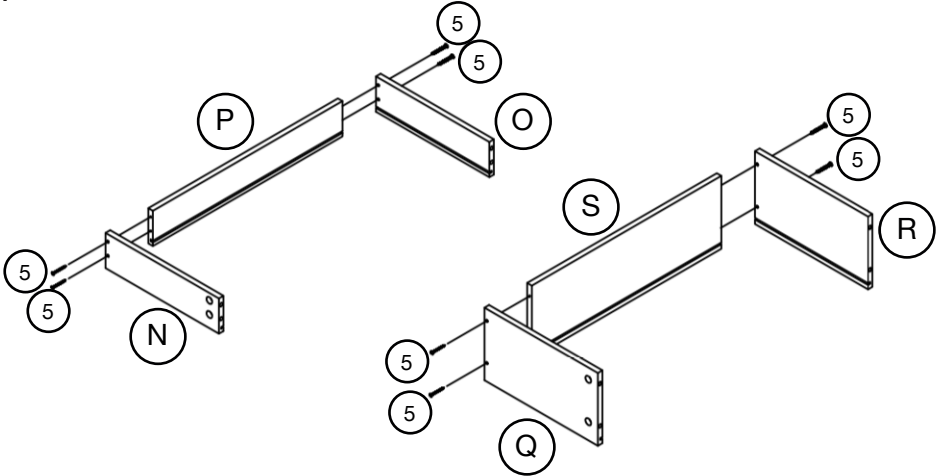
All about the angle

Insert 1 screw through each metal bracket and into the drywall anchor. Tilt your phillips head screwdriver, and secure but do not over tighten. YOU'RE ALL DONE! Time for Netflix!



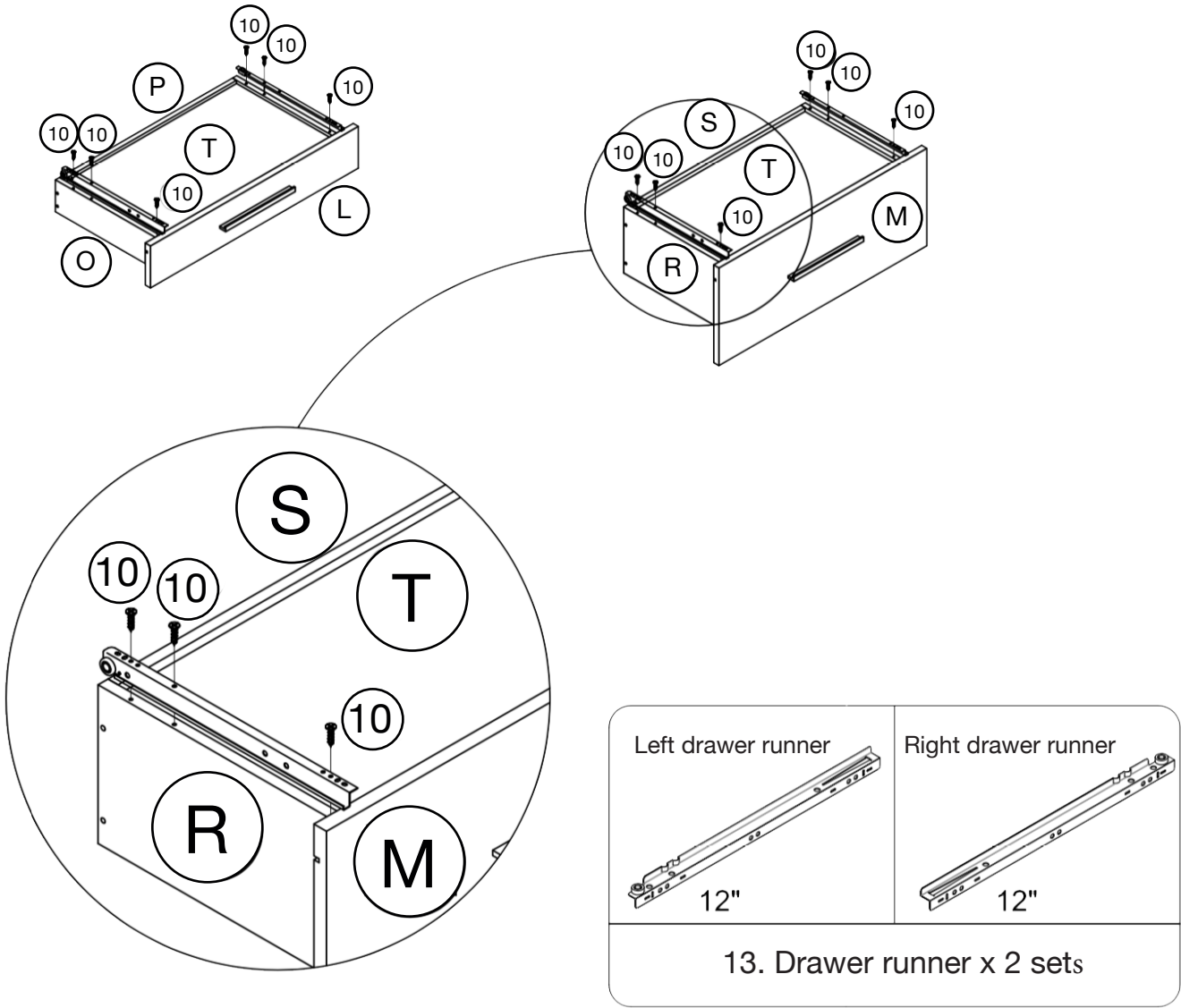
Step 12

Time to assemble the drawers! If you're feeling faint, now's the perfect time to grab a La Croix or drink of choice to get you through the last two steps.



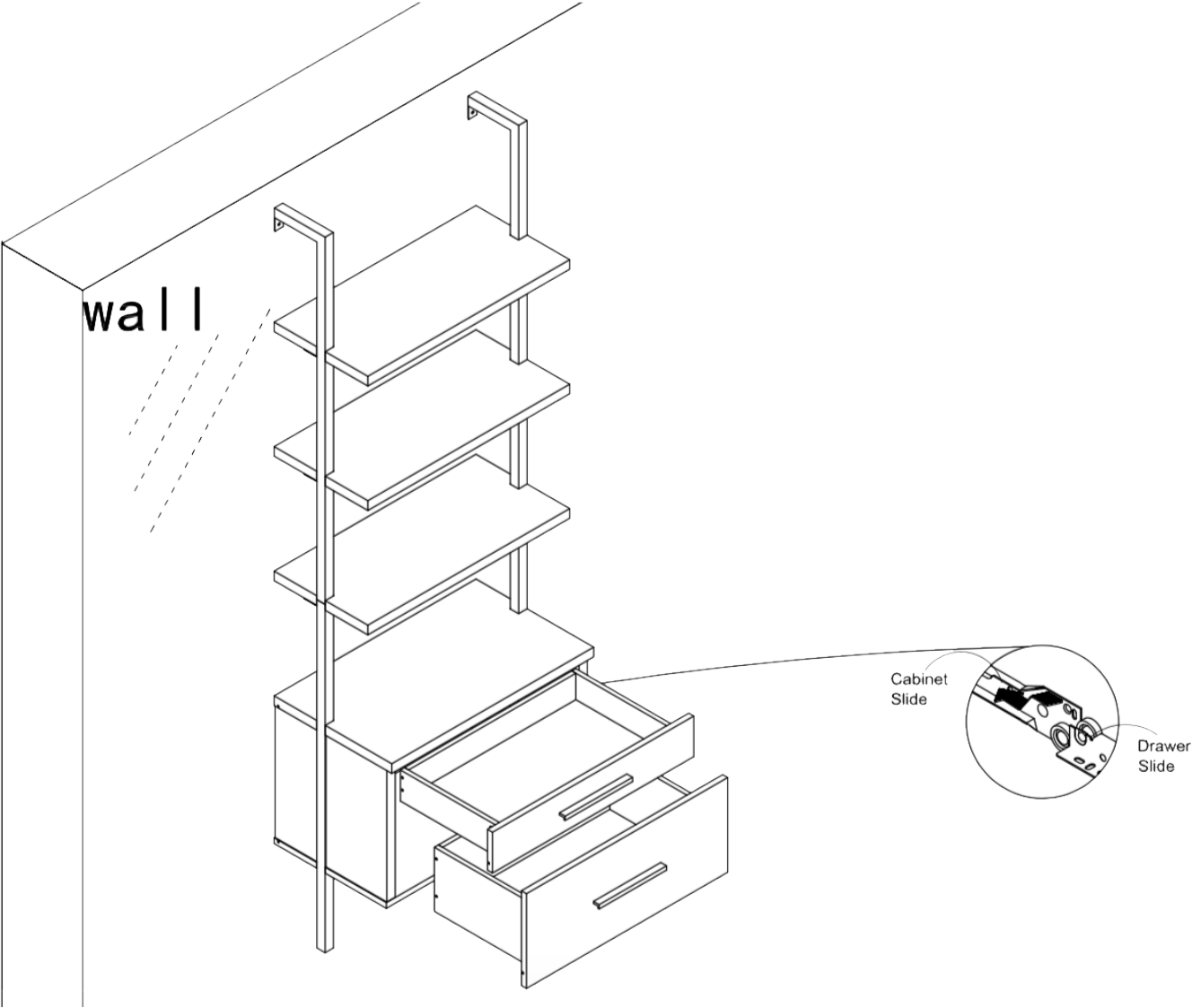
Step 13

Attach the drawer runners to the inside of the cabinets. This will allow them to open and close smoothly!



Step 14

Last but not least, slide the drawers into the bookcase. This calls for pizza! You deserve it!



Safety first, fun later

We want your bookcase to last as long as possible, so we recommend that you tighten the screws 2 weeks after assembly and for added safety check the tightness of all screws every 2 months.

Safety use of this product starts with you.

Use this bookcase responsibly with the primary concern for your safety. Follow assembly instructions carefully and inspect product upon receipt and each use. We and its parent companies cannot be held legally responsible for any injuries or death resulted from failure to follow instructions or improper use of this product.

Proper Use

- DO NOT** use for commercial purposes
- DO NOT** climb on bookcase
- DO NOT** exceed weight limit
- DO NOT** leave spilled liquid on the shelves
- DO NOT** use if bookcase is damaged or broken
- DO NOT** make temporary repairs
- DO NOT** use outdoors