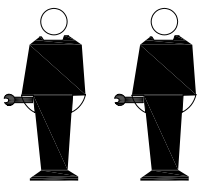
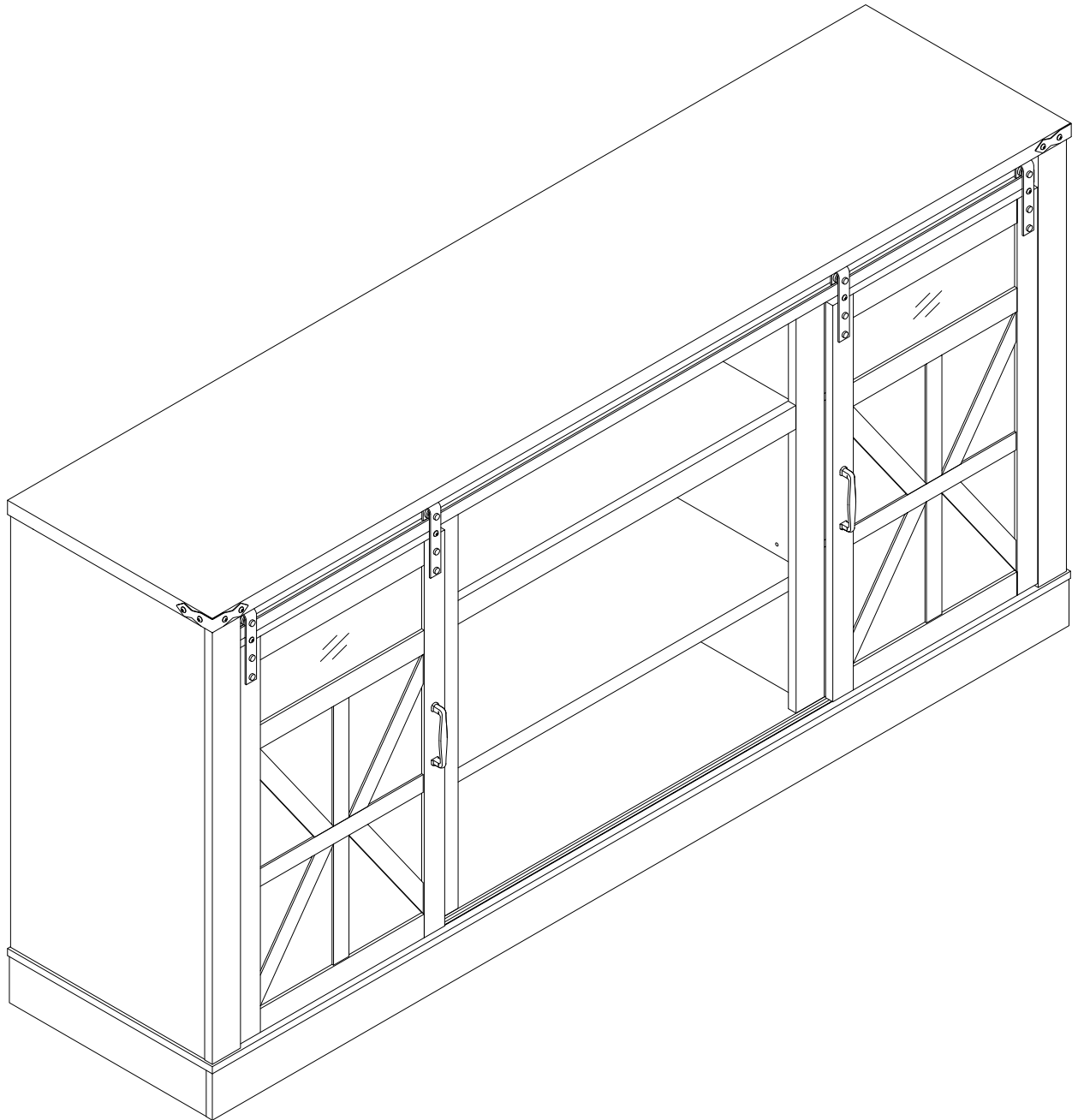


DJ0769-167CM

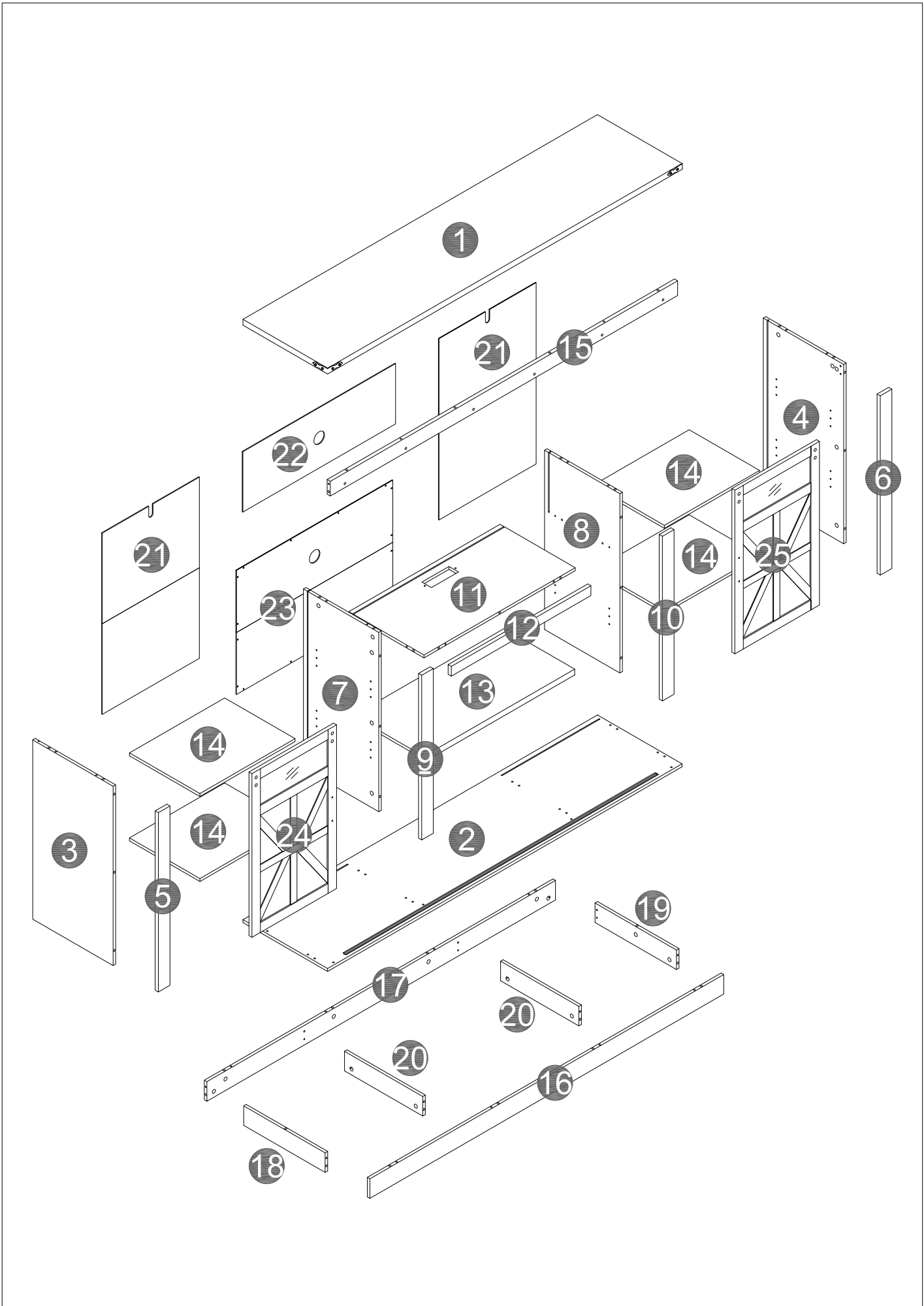


For convenience and safety, we recommend two people to assemble.
If you have any questions, please contact our customer service.

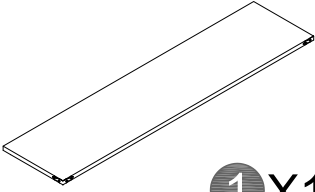
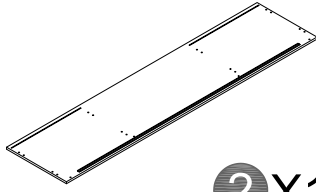
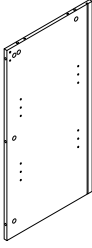
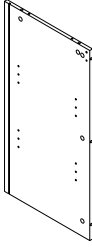


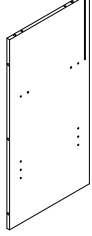
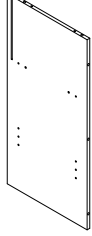


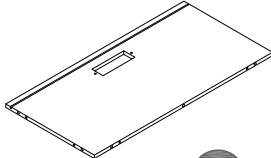
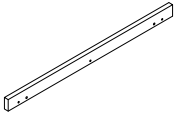
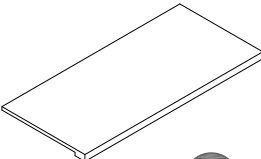
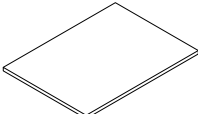
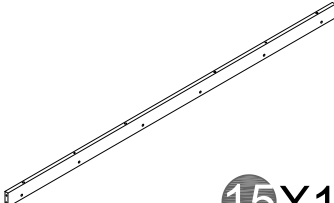
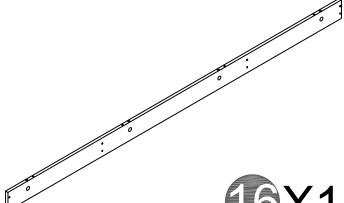
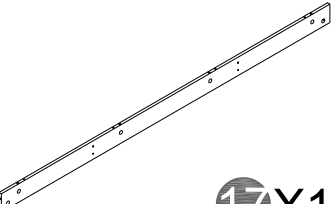
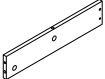
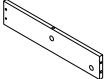
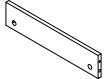
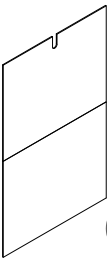
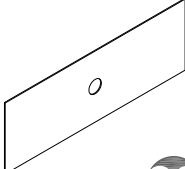
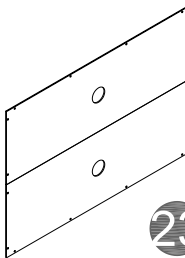
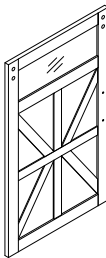
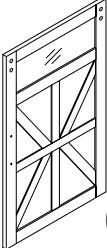
Installation Video QR

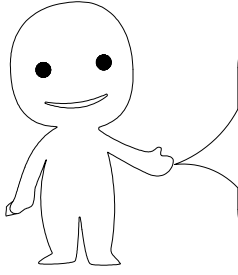


SKU:DJ0769WTBR-167CM
<https://vimeo.com/1092658023>

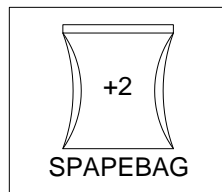
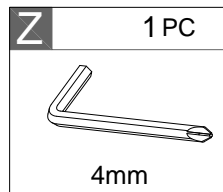
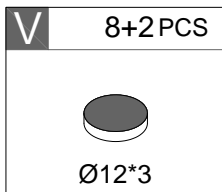
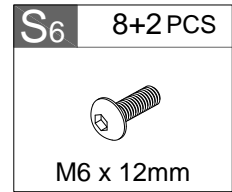
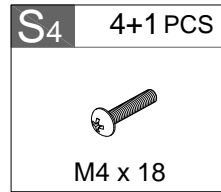
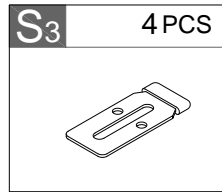
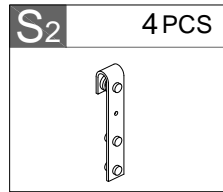
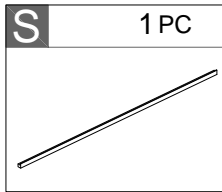
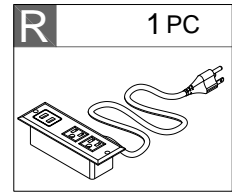
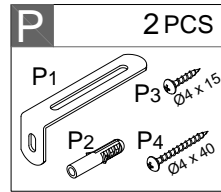
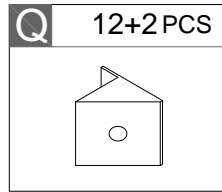
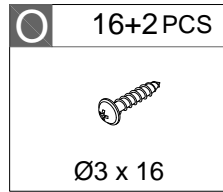
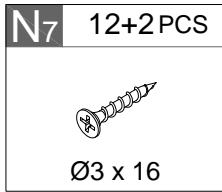
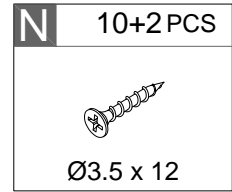
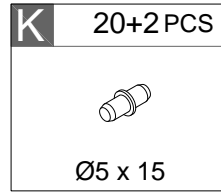
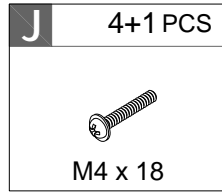
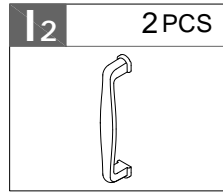
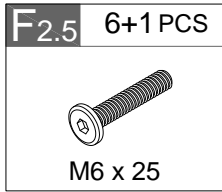
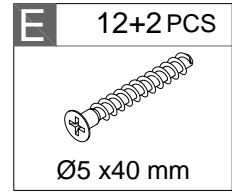
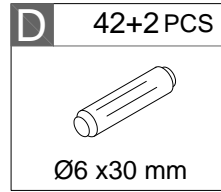
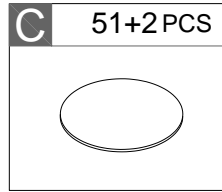
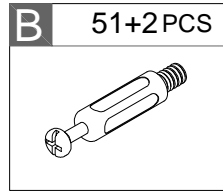
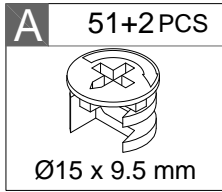
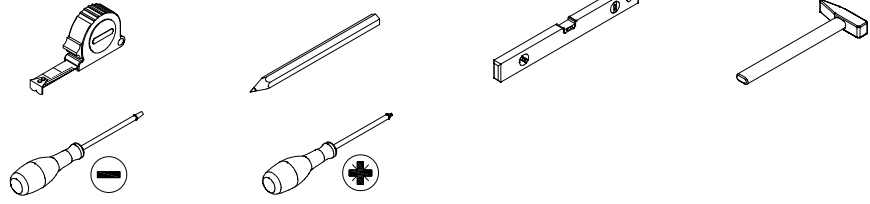



PARTS LIST

 1 X1	 2 X1	 3 X1	 4 X1
 5 X1	 6 X1	 7 X1	 8 X1
 9 X1	 10 X1	 11 X1	 12 X1
 13 X1	 14 X4	 15 X1	 16 X1
 17 X1	 18 X1	 19 X1	 20 X2
 21 X2	 22 X1	 23 X1	 24 X1
 25 X1			



Please prepare the following tools



 Tips: The number after "+" represents the spare hardware.

IMPORTANT NOTES:

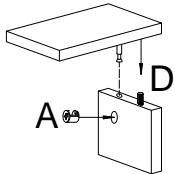
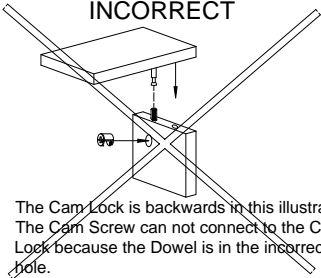
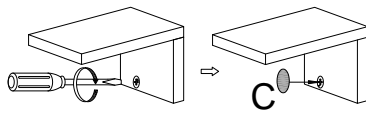
The item you are purchasing is a large furniture product that requires a large number of components to assemble.

Please take all parts boxes out of the packaging and place them in order. So that you can follow the steps in the installation manual to find the corresponding parts box and quantity of need when installing. Please do not take too many parts to prevent the parts from scattering.

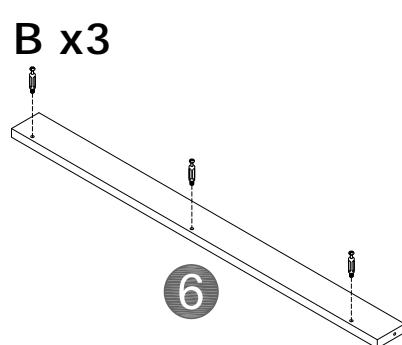
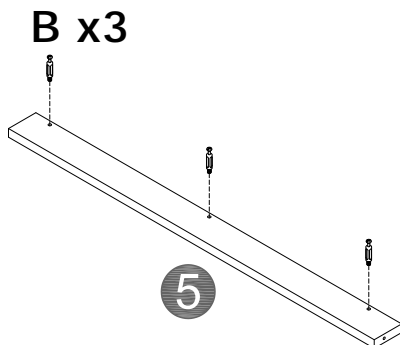
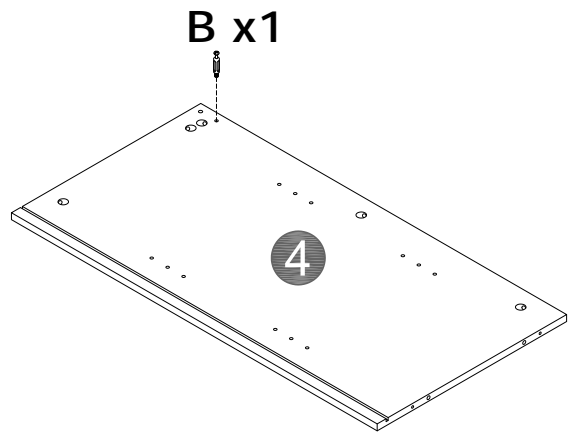
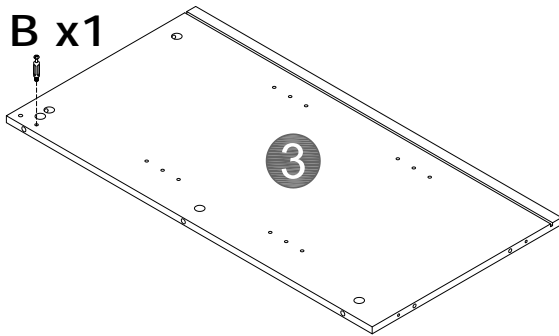
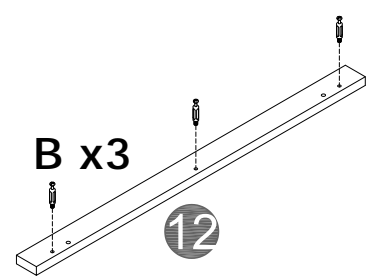
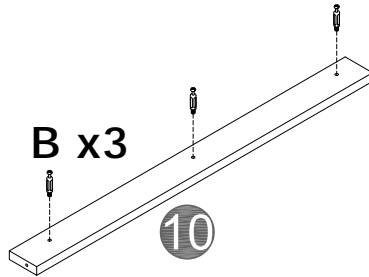
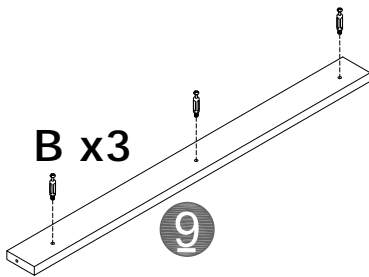
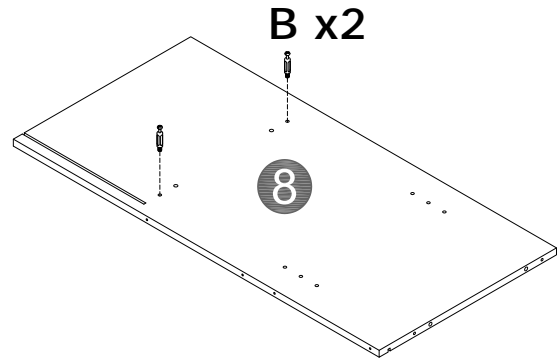
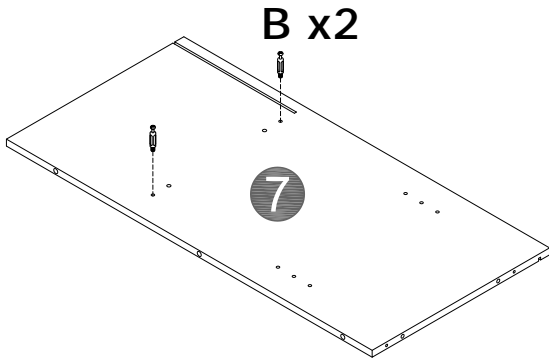
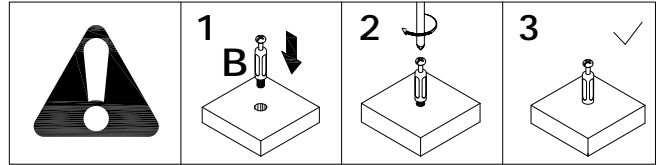
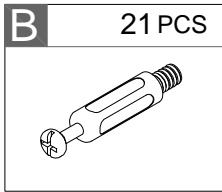
Please be patient and follow the instructions step by step for installation. If you have any problems during the installation process, you can ask our customer service to help you solve them!

SAFETY TIPS:

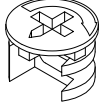
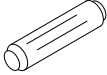
Static charge may cause dust on foam – clean with a dry or damp cloth. Small foam strands may be present – handle gently and dispose of properly. Do not burn or incinerate. Check local recycling guidelines.

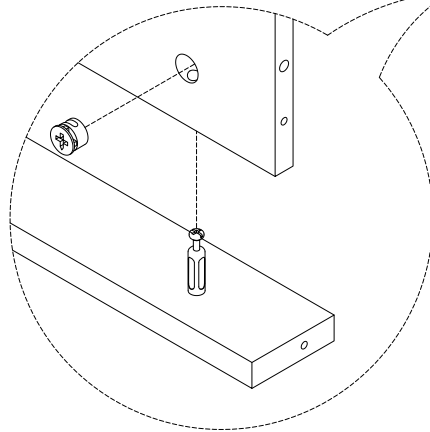
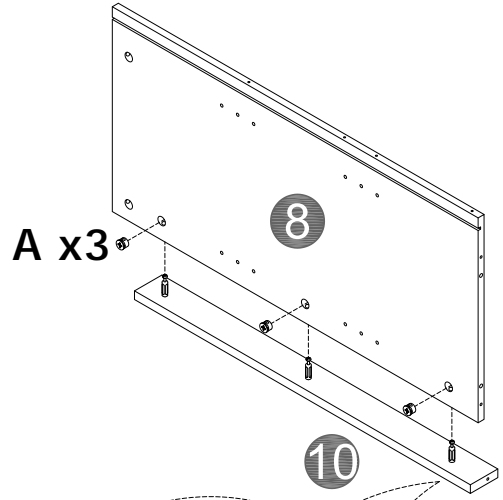
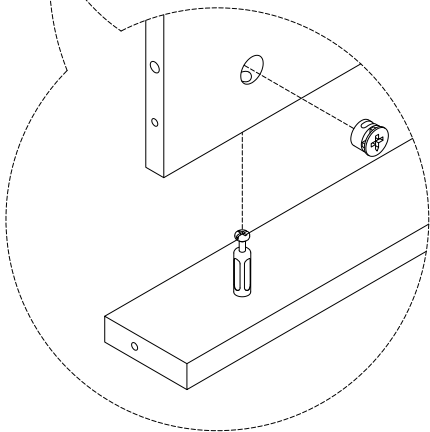
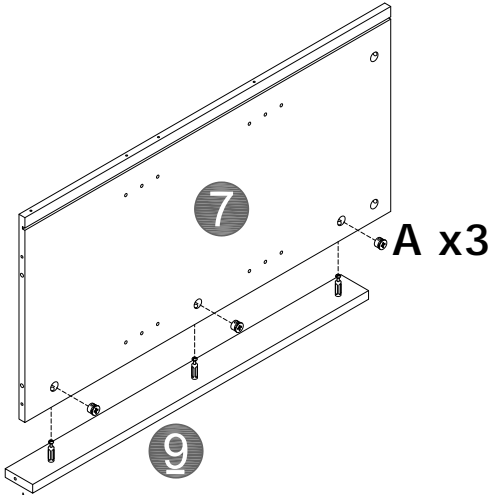
Cam Lock/Dowel Placement Supplement		
<p>CORRECT 1</p>  <p>When inserting the Cam lock, make sure that the open End of the cam Lock faces the Cam Screw Entry. The Dowel will be inserted in the hole NEXT to the Cam Lock/Cam Screw hole.</p>	<p>INCORRECT 2</p>  <p>The Cam Lock is backwards in this illustration. The Cam Screw can not connect to the Cam Lock because the Dowel is in the incorrect hole.</p>	<p>3</p>  <p>To tighten, turn the Cam Lock CLOCKWISE until the arrow or "△" signs point AWAY from the connected board.</p> <p>*NOTE: DO NOT USE AN AUTOMATIC SCREWDRIVER TO TIGHTEN CAM LOCKS, DO NOT OVER-TIGHTEN.</p>

1

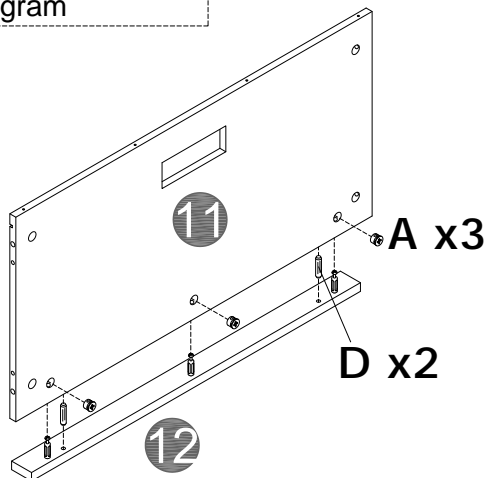
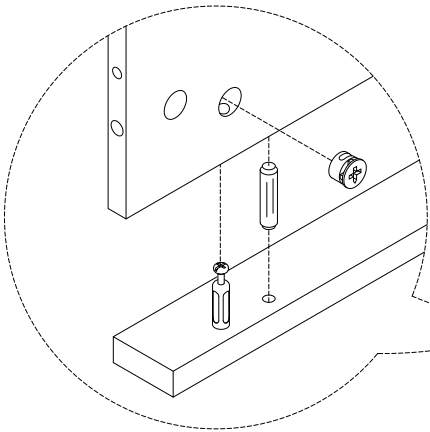


2

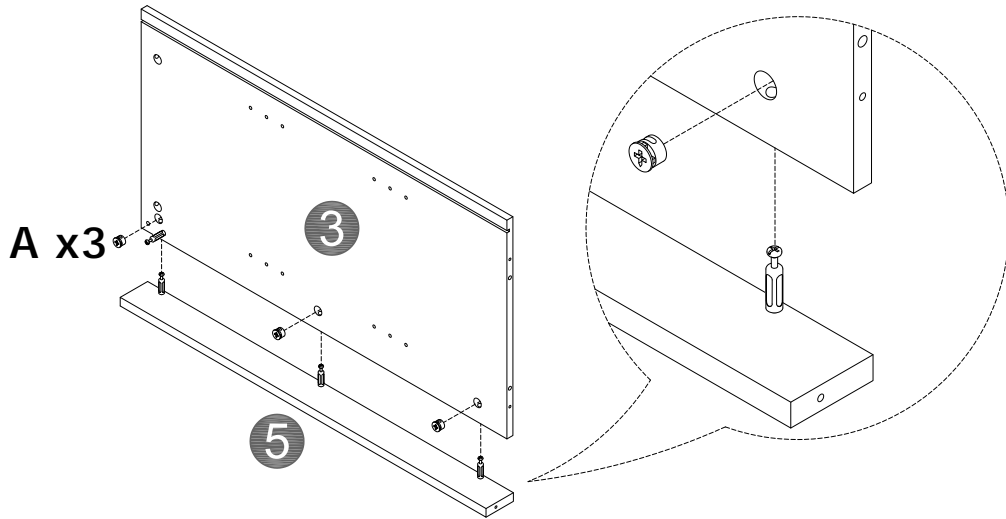
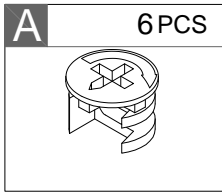
A	9PCS	D	2PCS
			



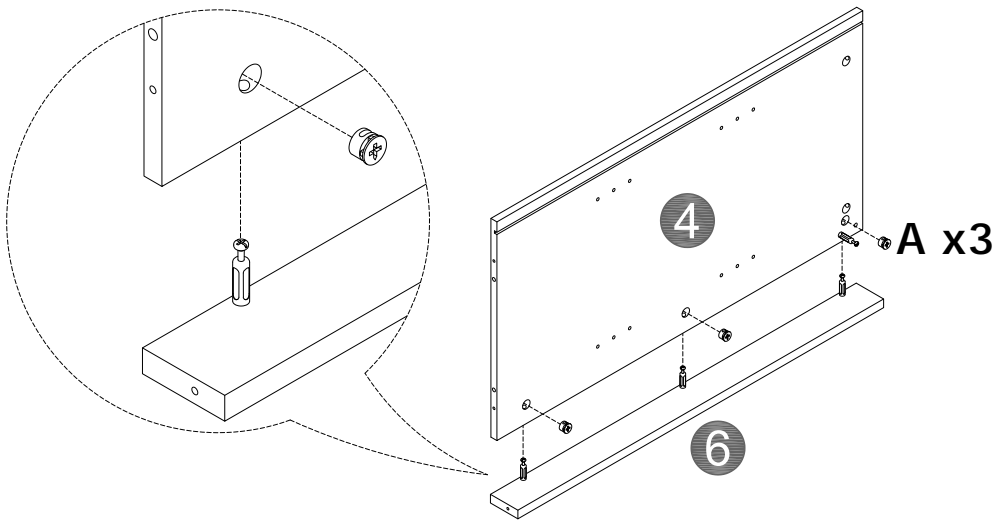
Ensure Hole Alignment Matches the Enlarged Diagram



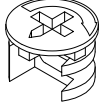
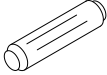
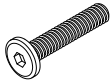
First, insert wooden dowel D into the designated side hole, followed by the installation of other components.

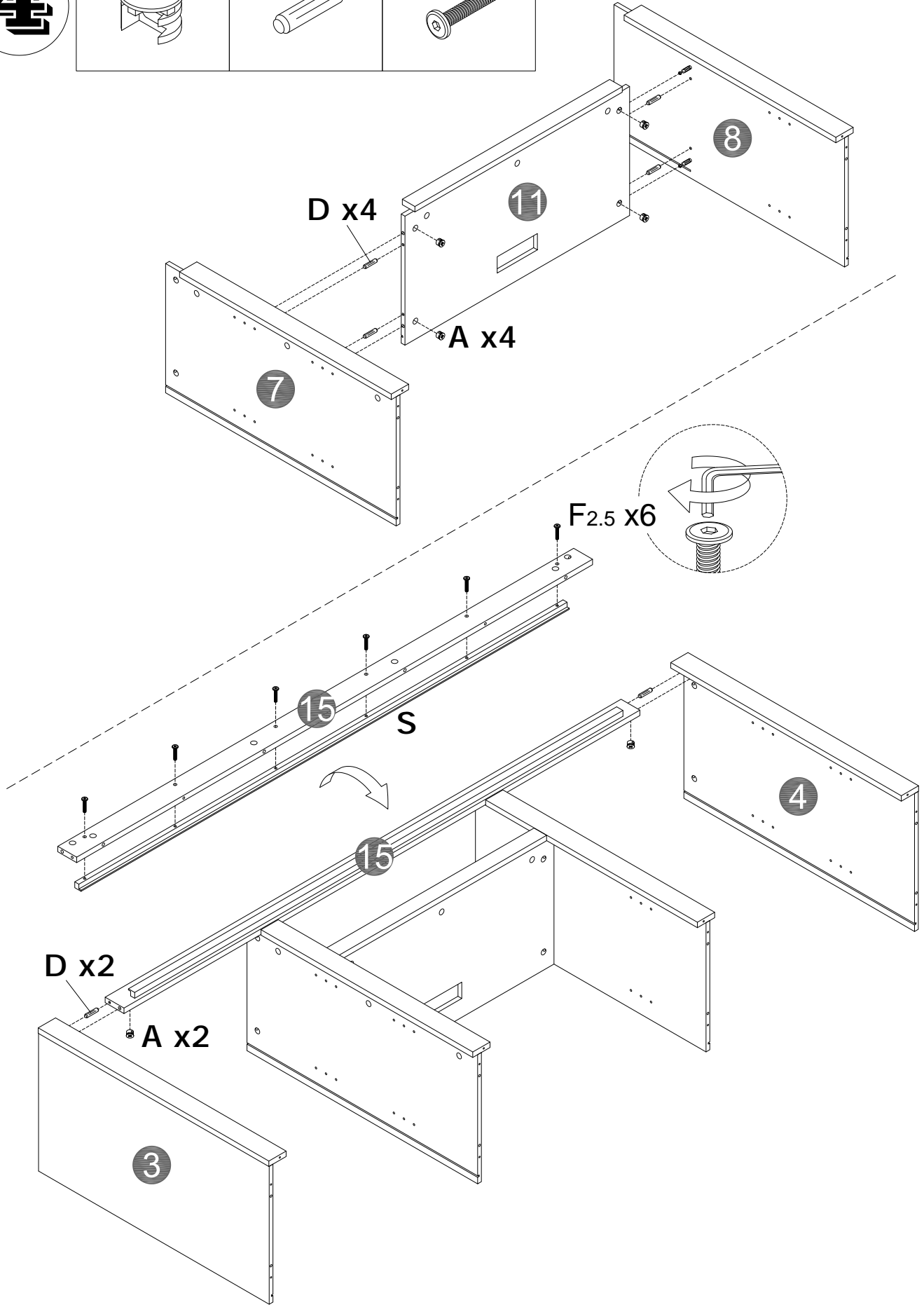


Ensure Hole Alignment Matches the Enlarged Diagram

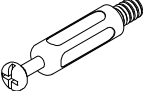
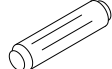
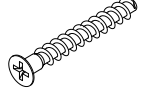


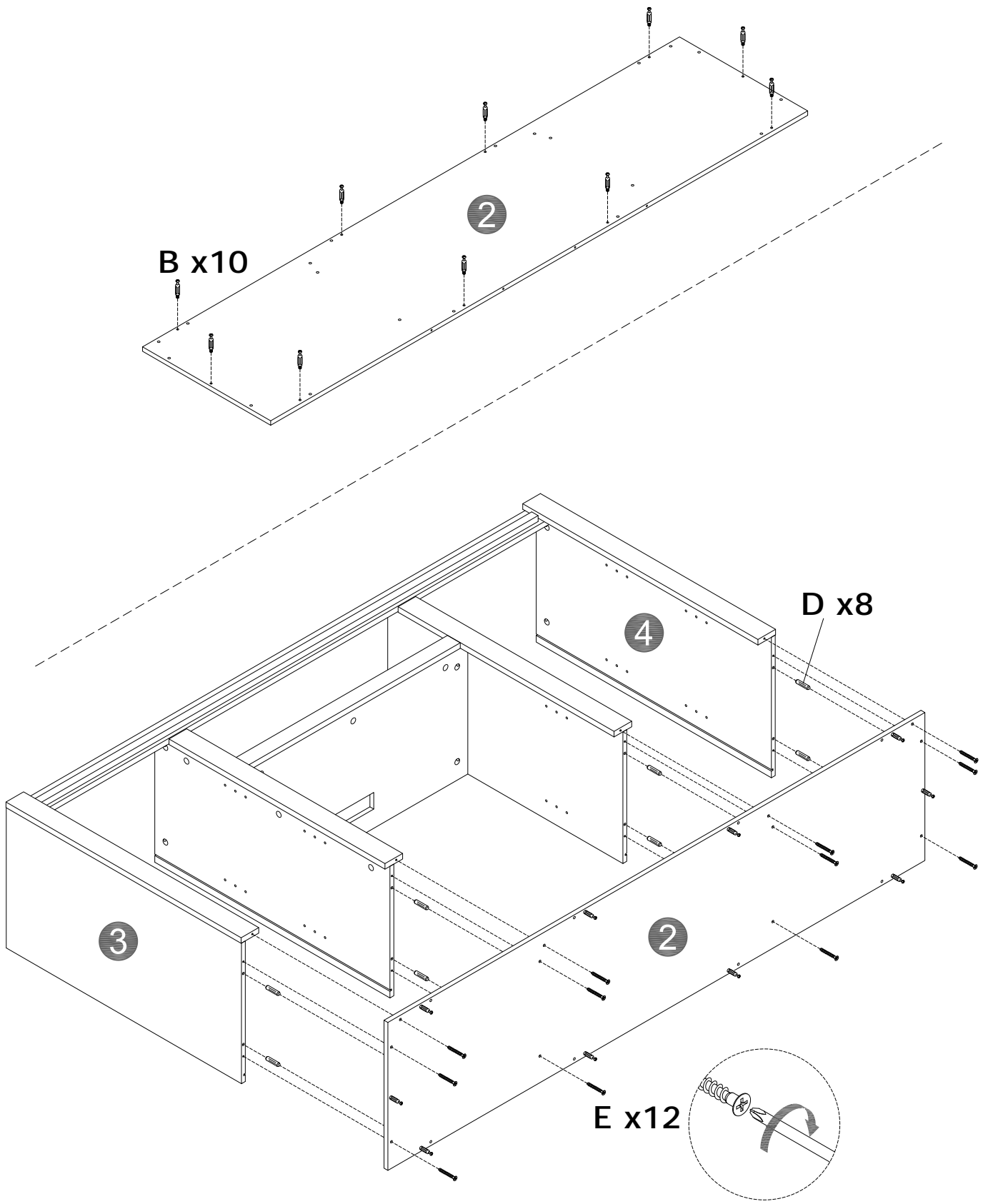
4

A	6 PCS	D	6 PCS	F_{2.5}	6 PCS
					



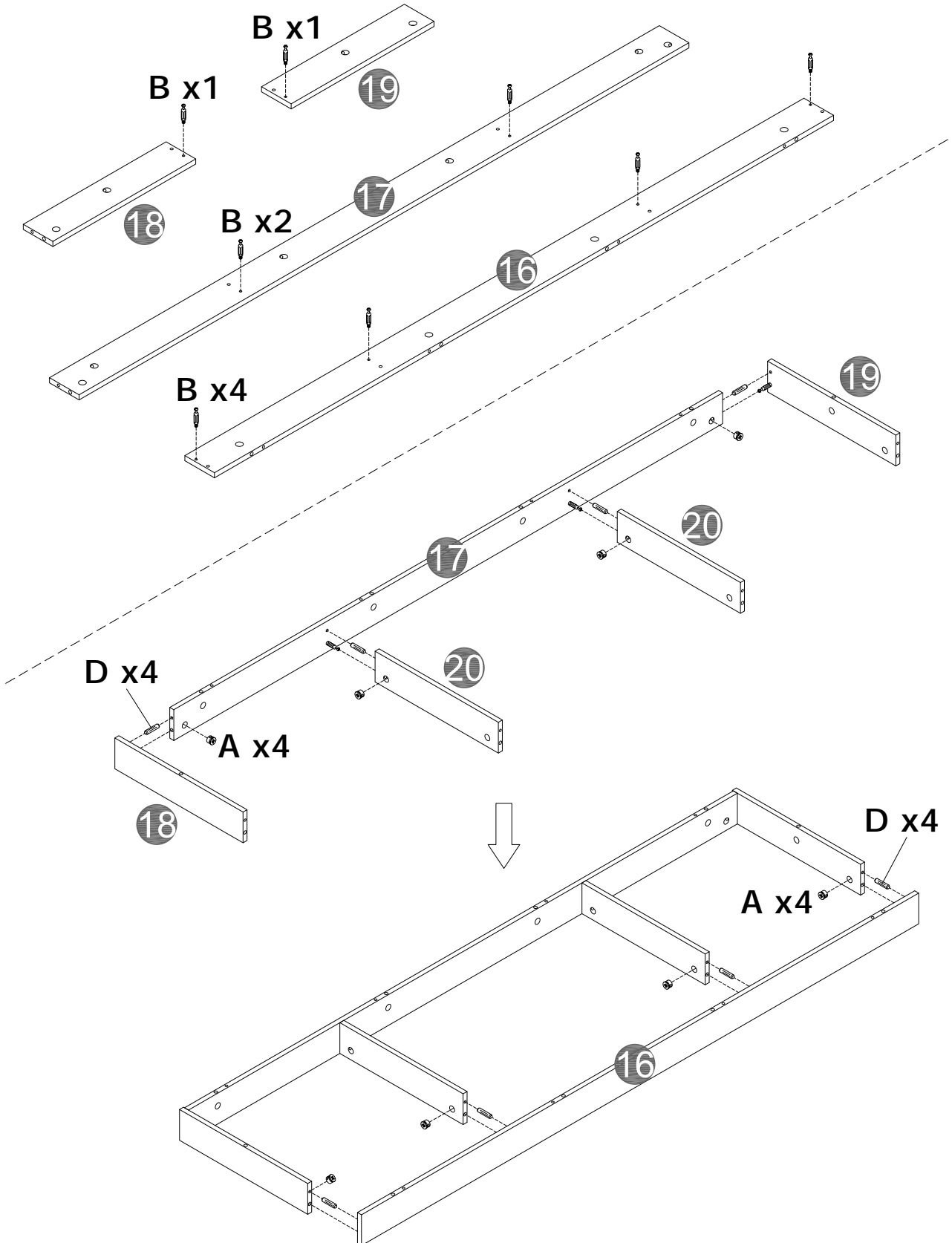
5

B	10PCS	D	8PCS	E	12PCS
					

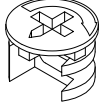
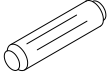



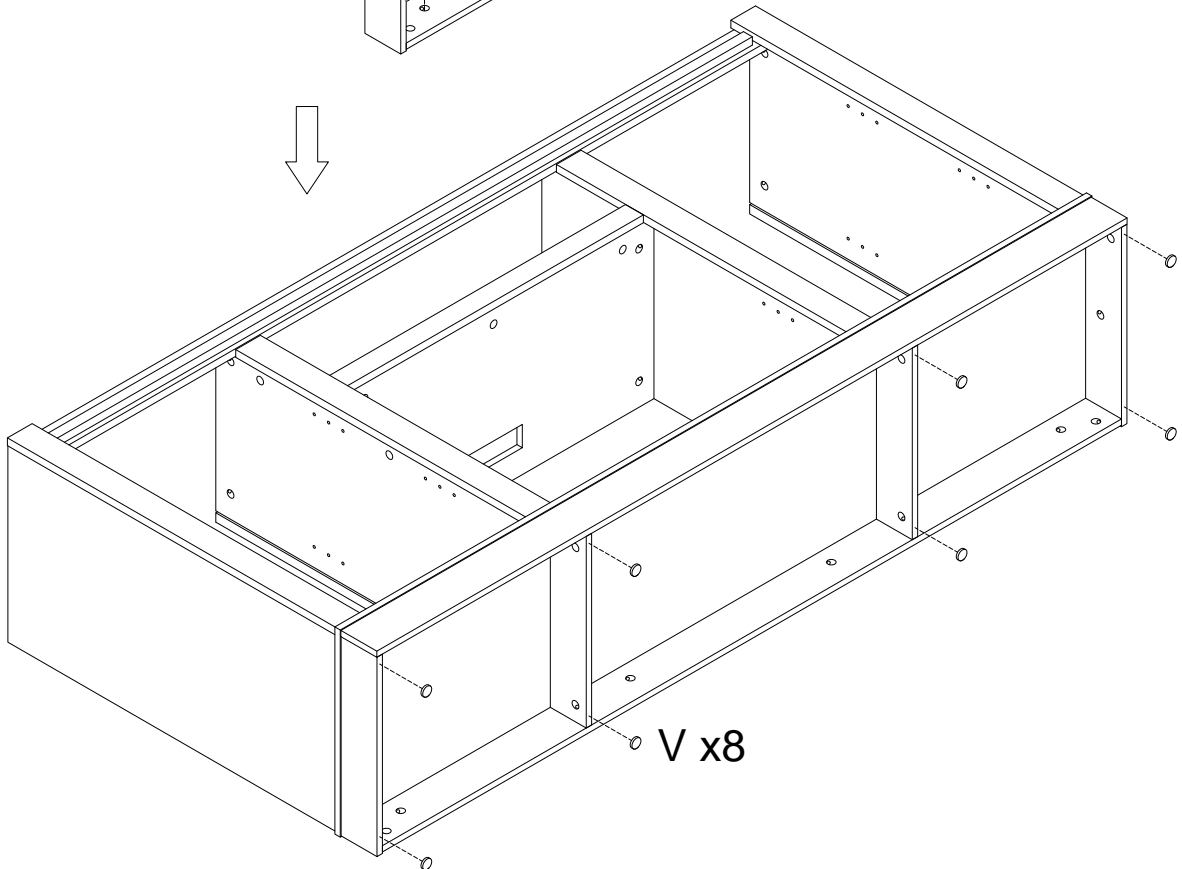
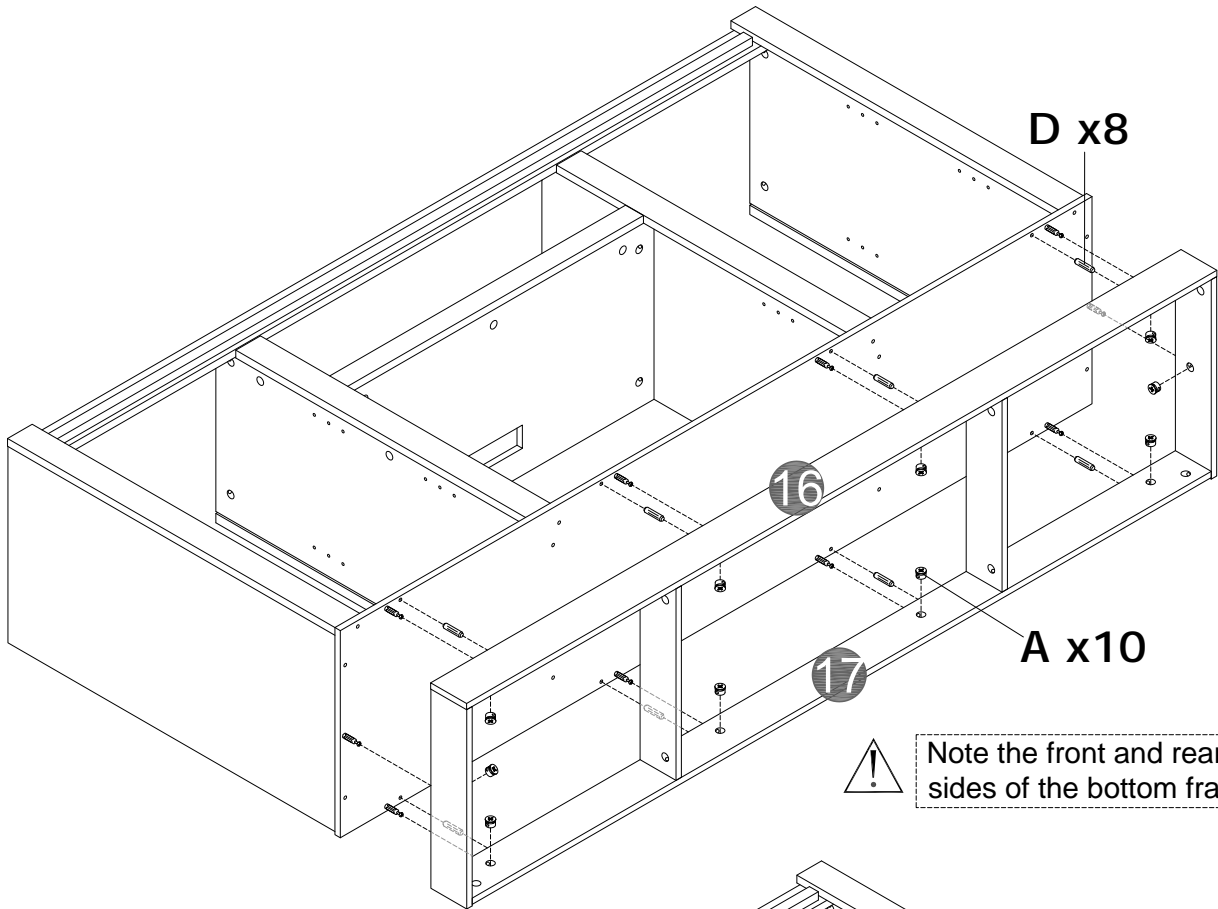


A	8PCS	B	8PCS	D	8PCS



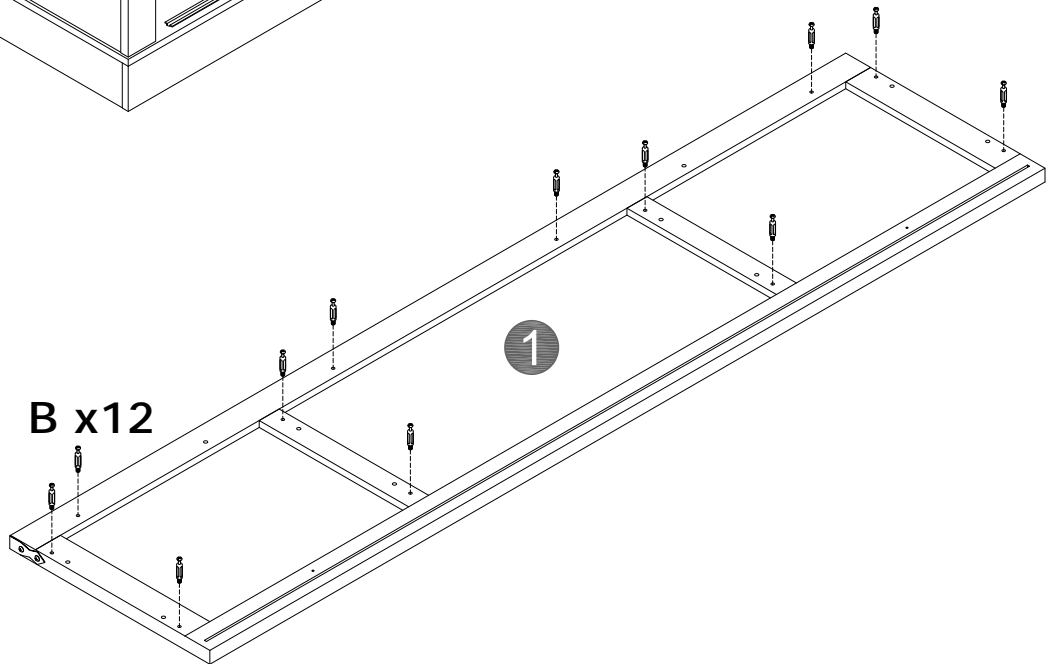
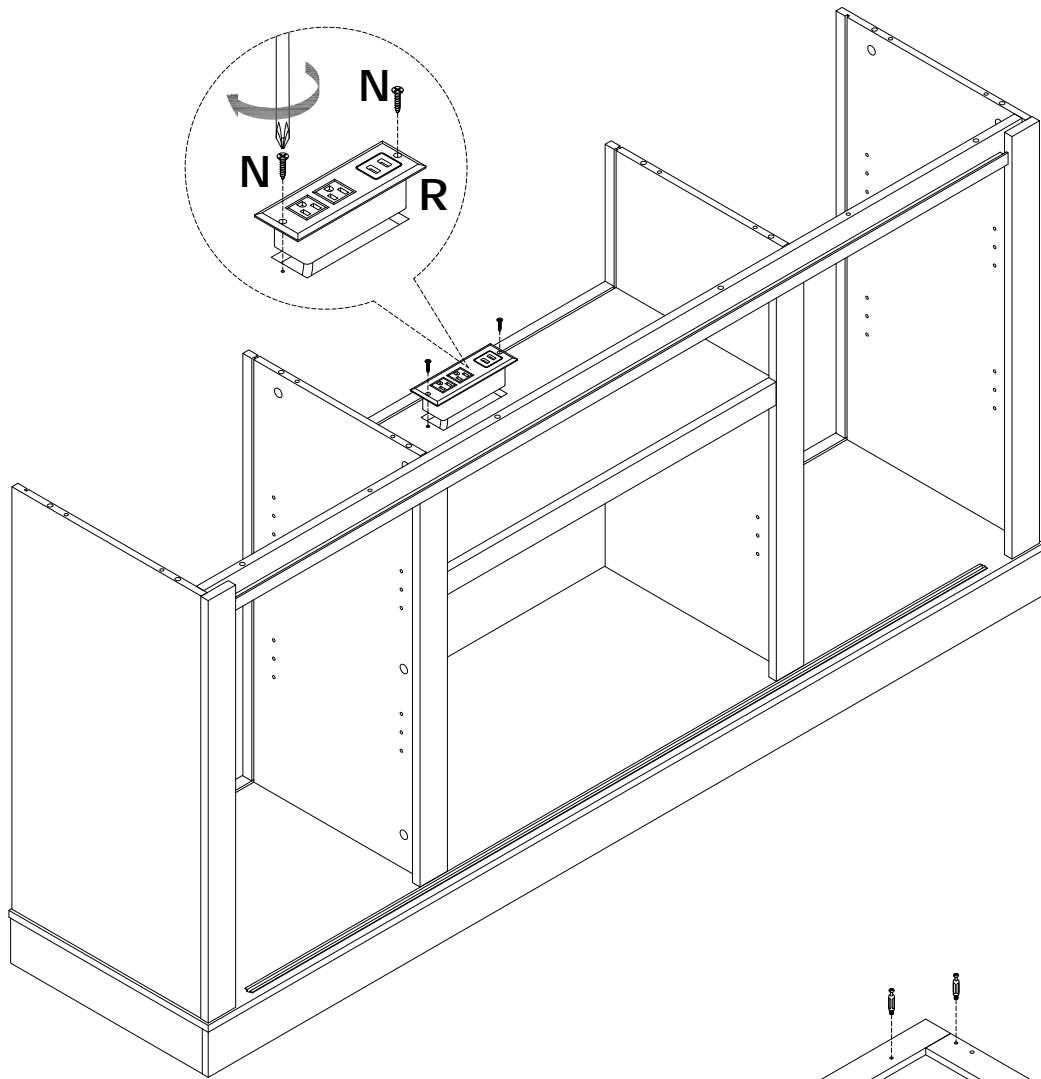
7

A	10PCS	D	8PCS	V	8PCS
					



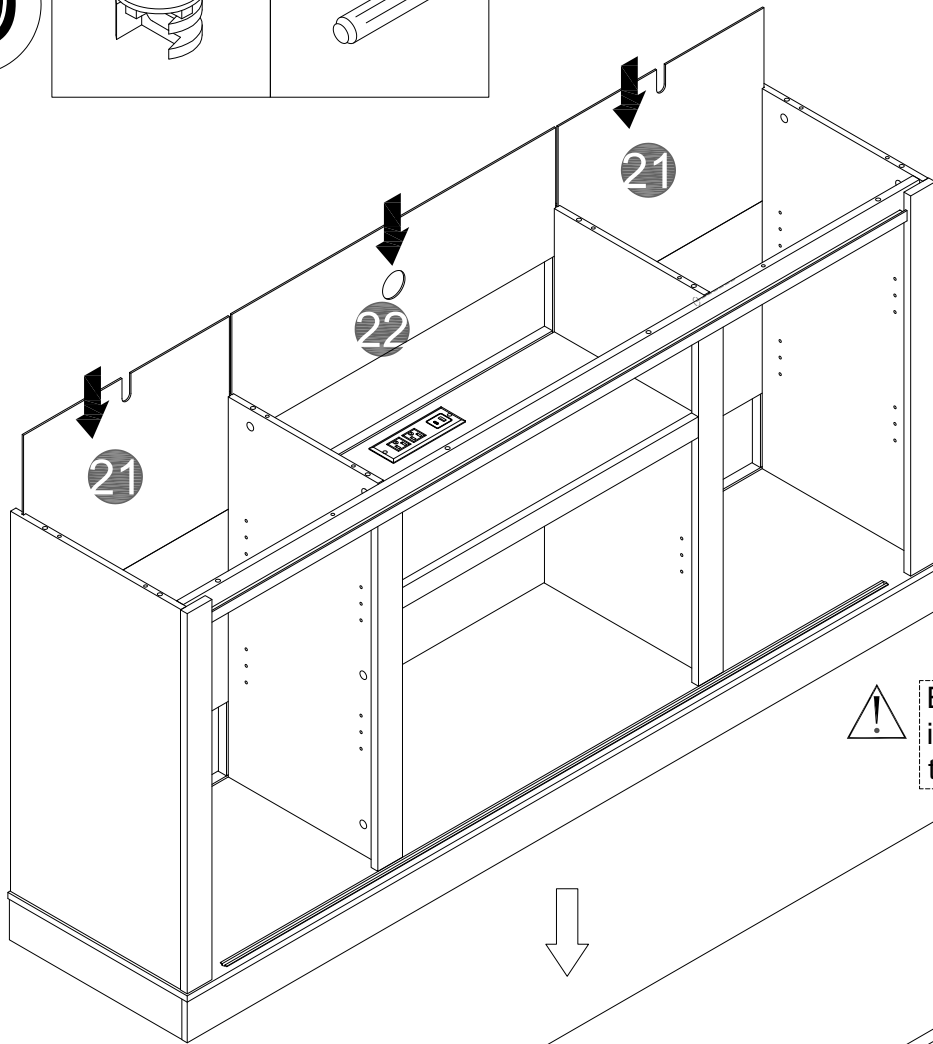



B	12 PCS	N	2 PCS	R	1 PC

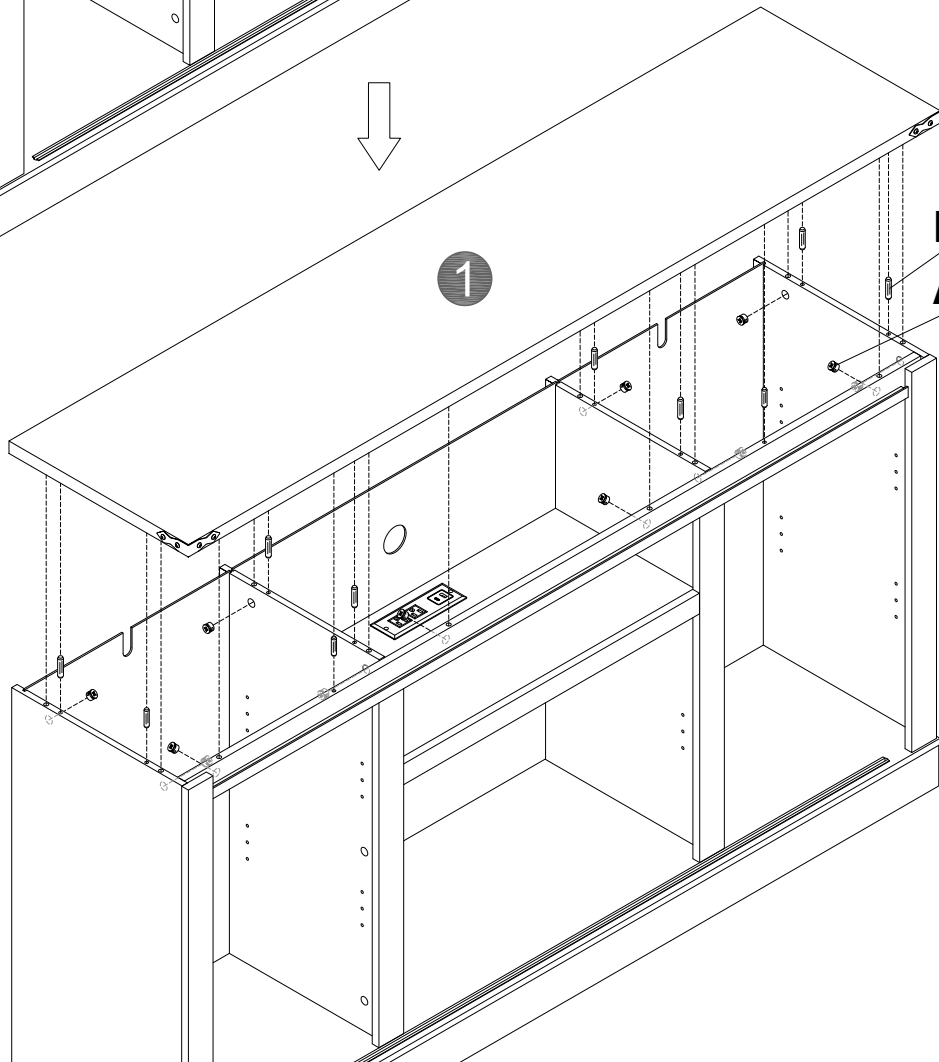




A	12 PCS	D	10 PCS

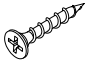

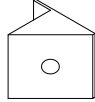


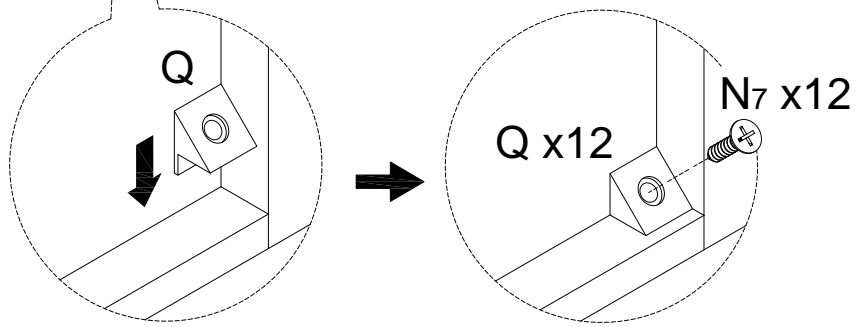
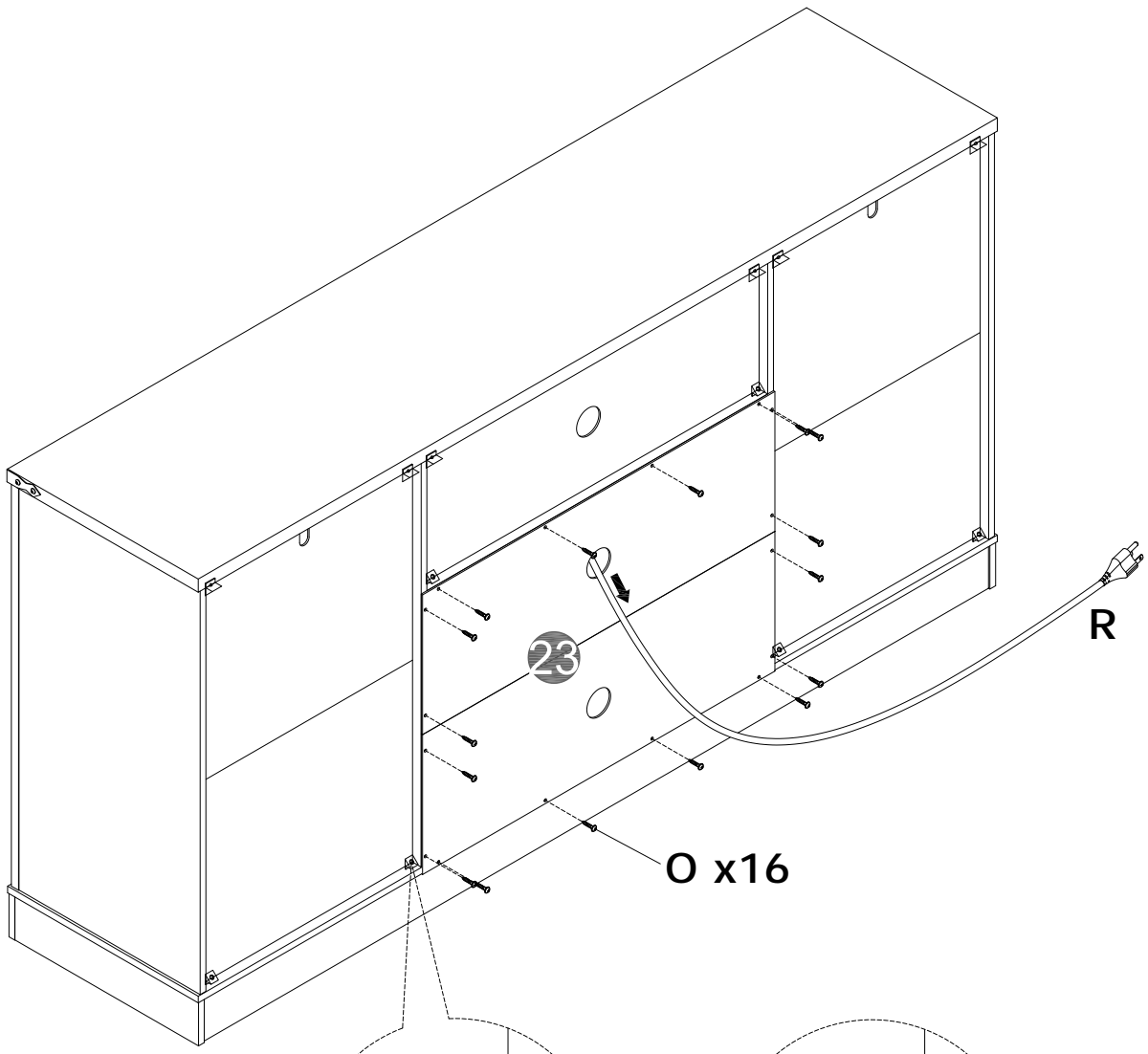
 Ensure the back board is inserted into all four slots, then tighten the screws.




D x10
A x12

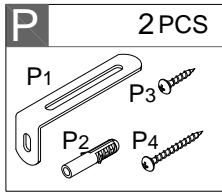
10


N7	12 PCS	O	16 PCS	Q	12 PCS
					



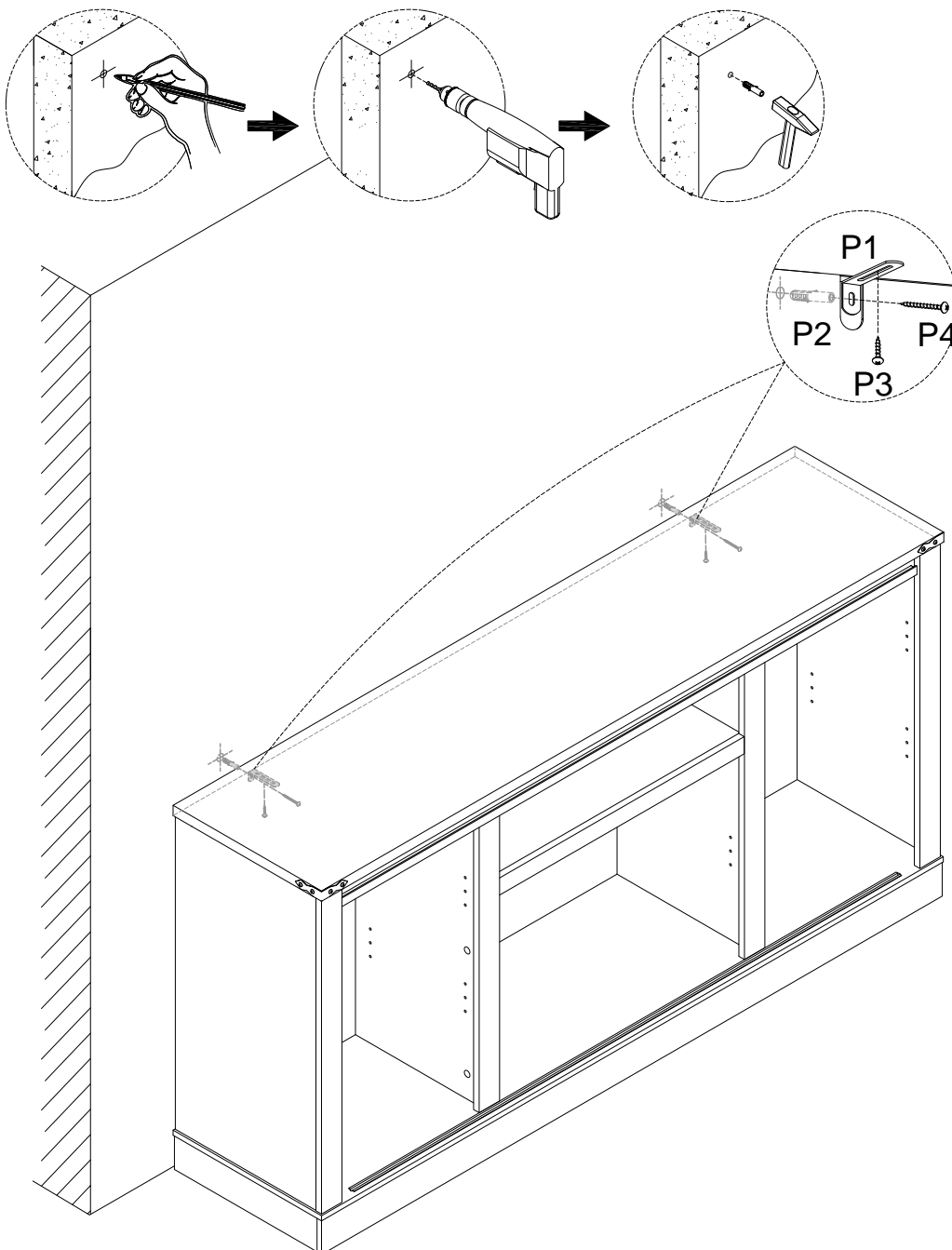
 Installing back board fasteners improves the furniture's overall stability, prevents warping, and helps maintain door alignment.

1 1




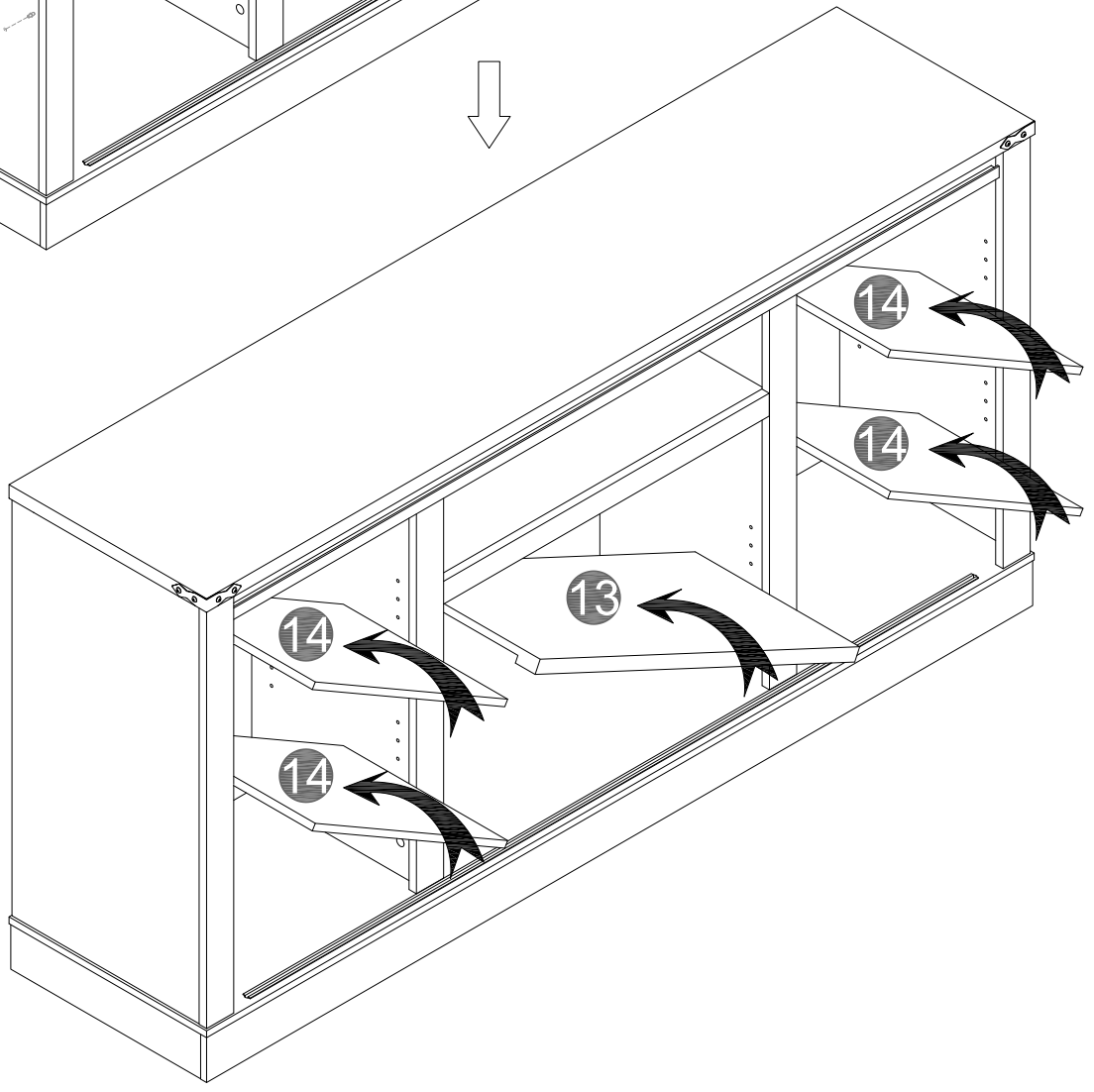
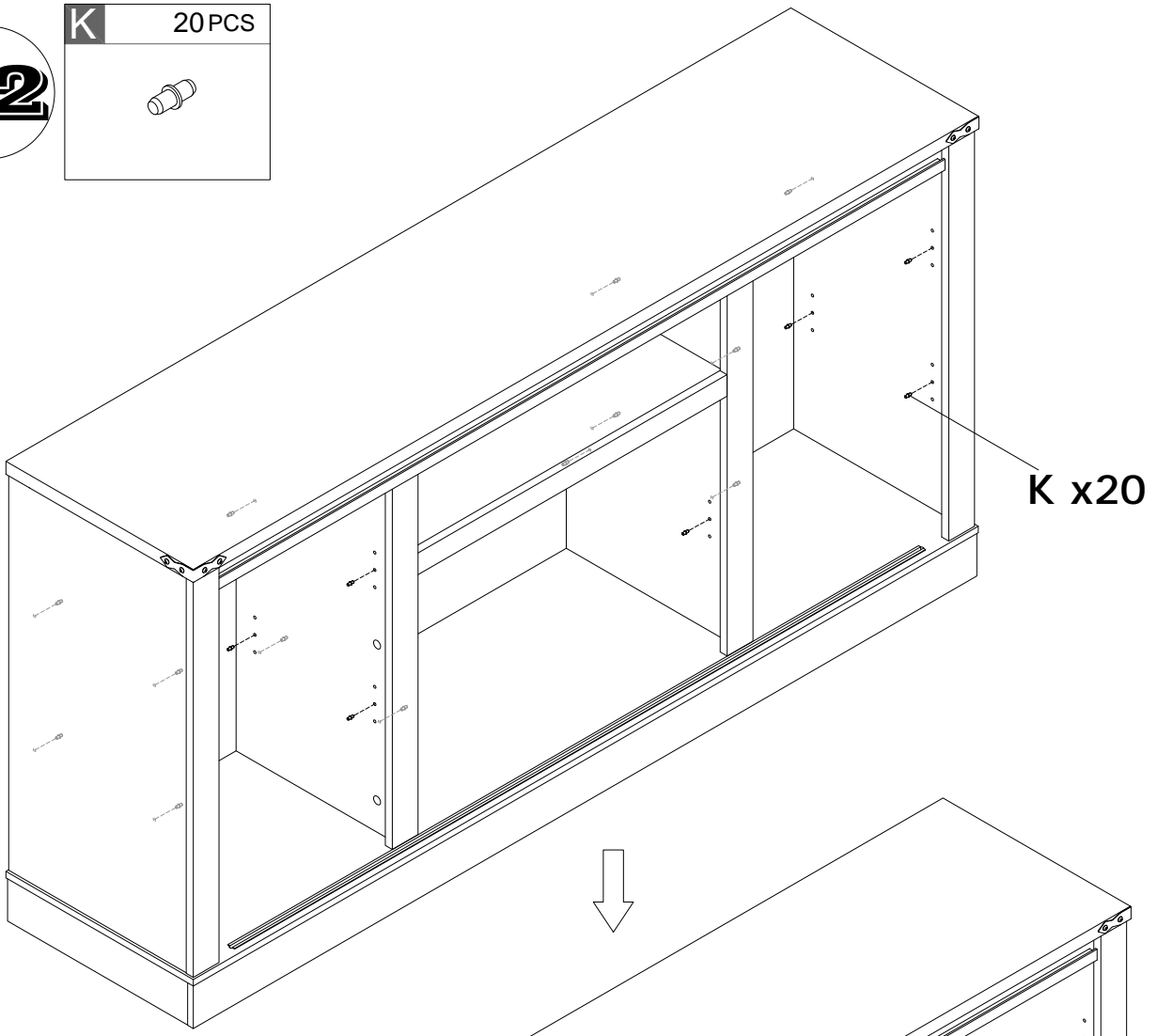
 **Warning:** If you overturn the furniture, it may cause serious or fatal crushing injuries. We have a wall connection device attached, please use it to hold the furniture following these instructions.

1. Mark the corresponding hole positions where you want to place the furniture;
2. Use a impact drill to drill holes and pay attention to avoid wires and water pipes;
3. Knock the expansion pipes into the wall holes;
4. Place the furniture in the corresponding position and tighten the wall connection device with screws.




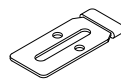
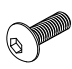



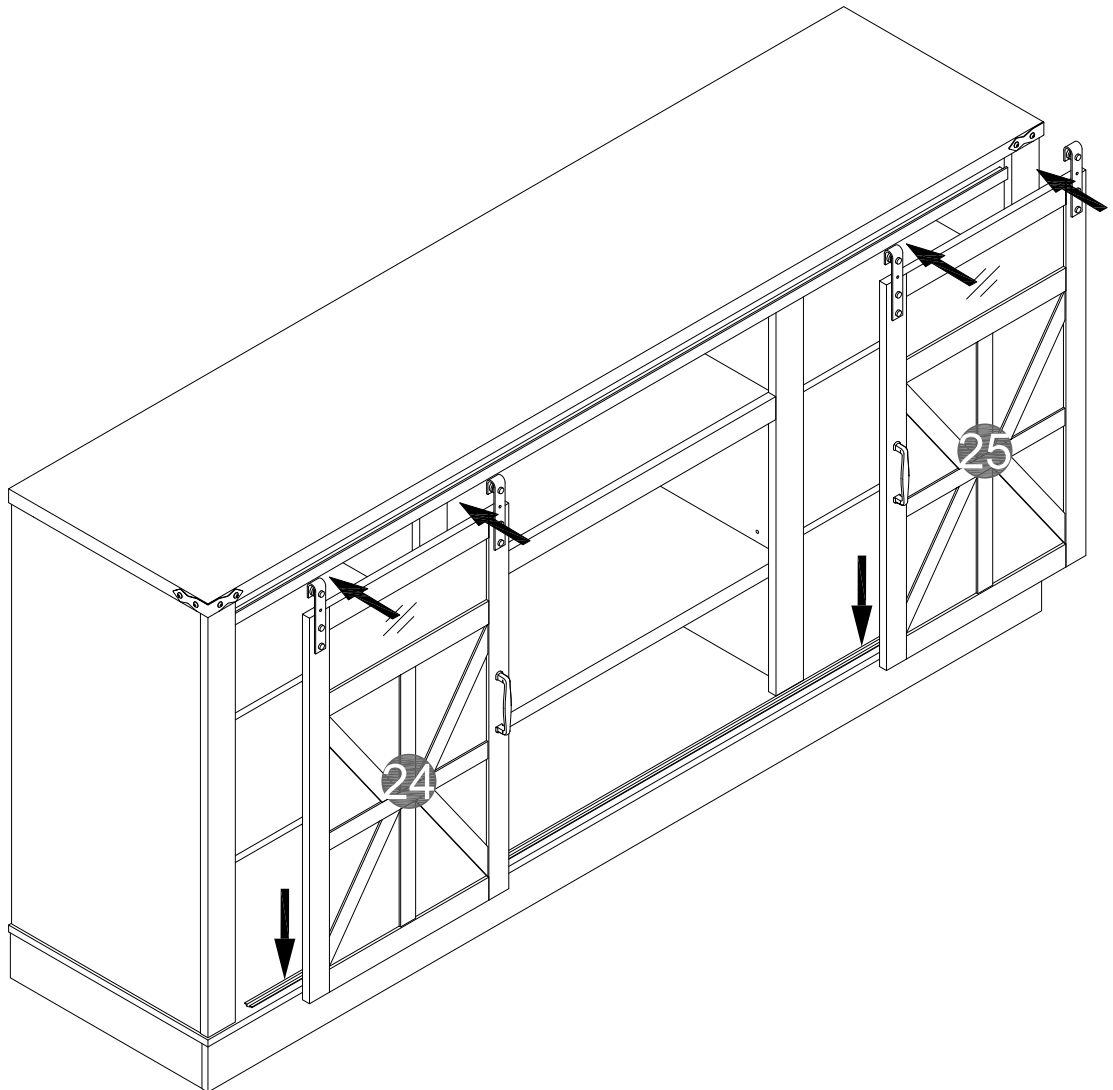
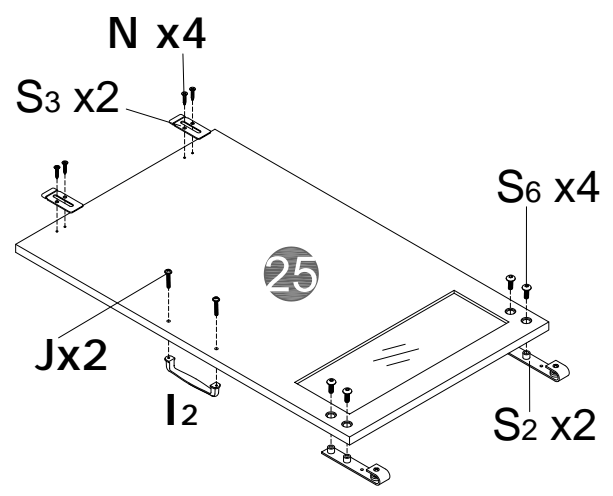
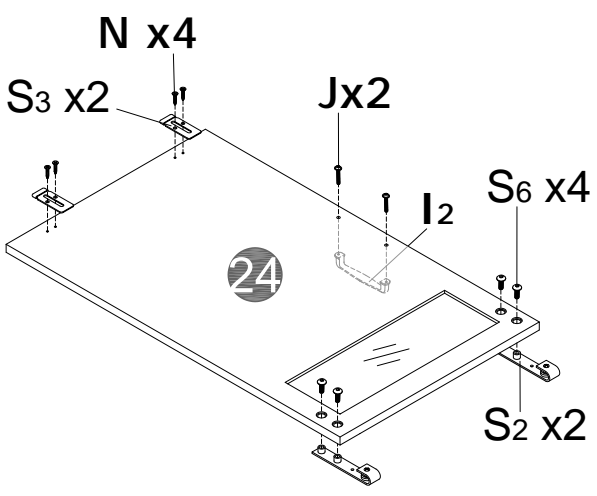
12

K	20PCS
	

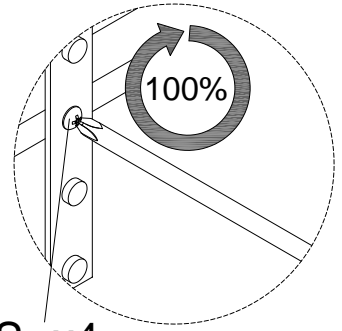
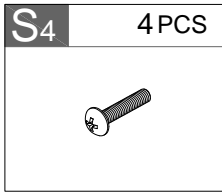


13

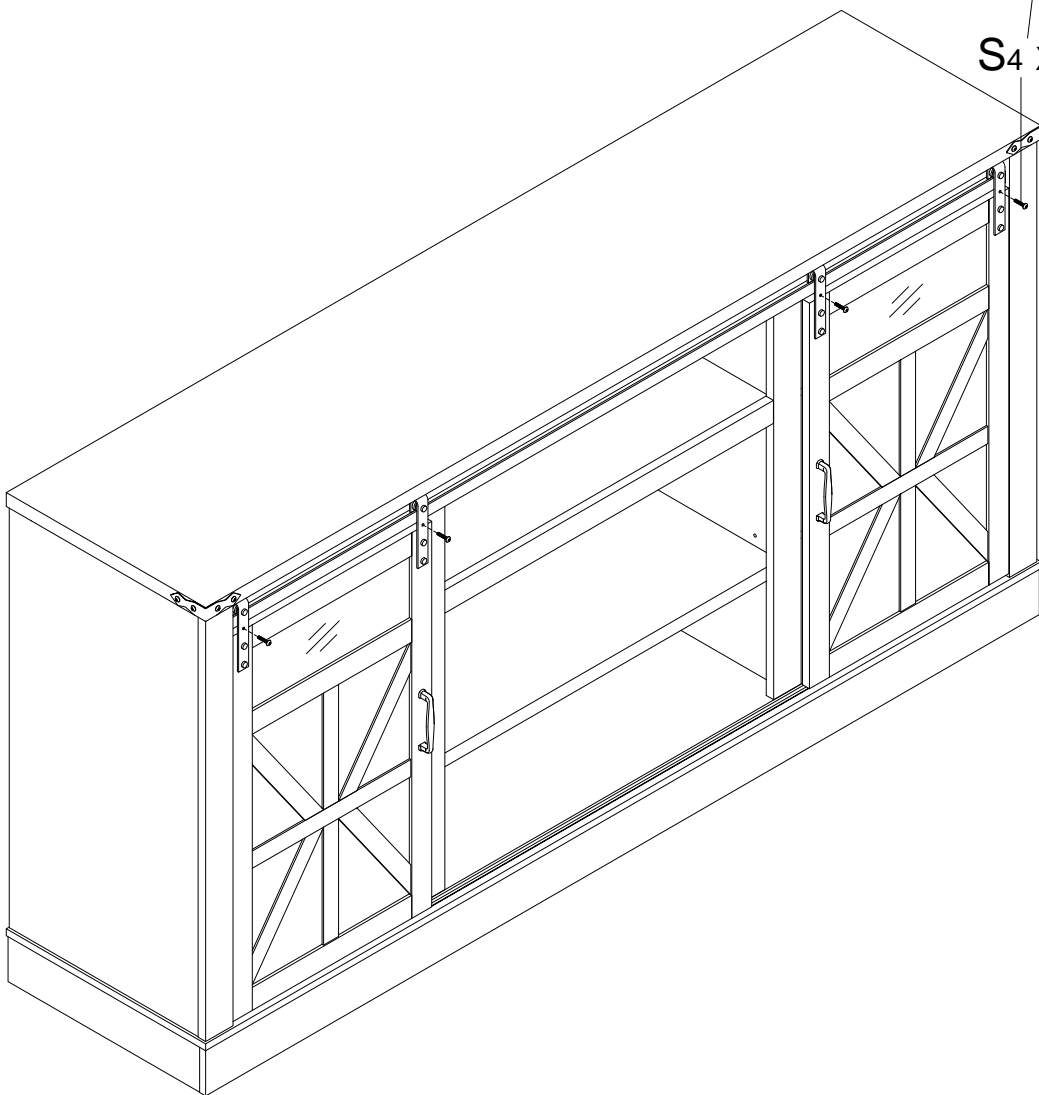
I₂	2 PCS	J	4 PCS	S₂	4 PCS	S₃	4 PCS	S₆	8 PCS	N	8 PCS
											



14



S4 x4



Final Assembly