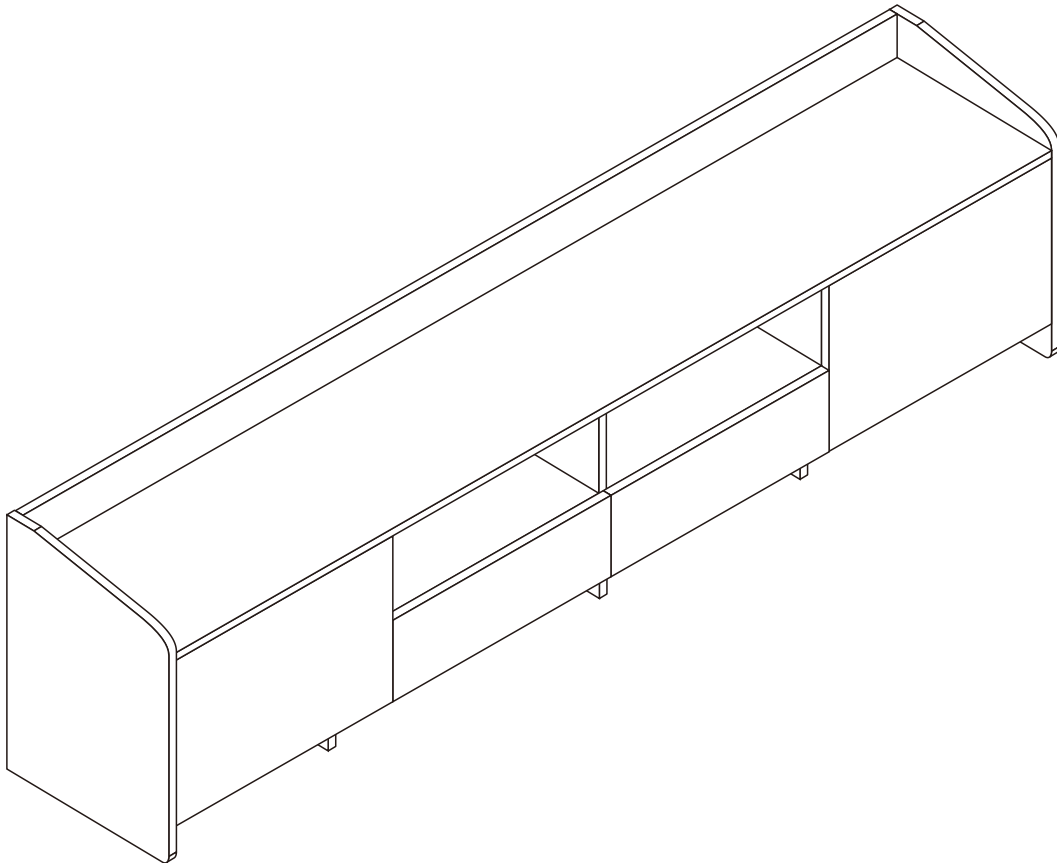


ST-5010#

TV stand



L2000*W400W*H550mm



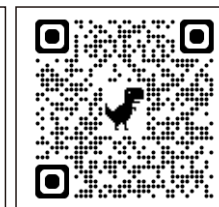
2 Persons



5010#
Installation Video



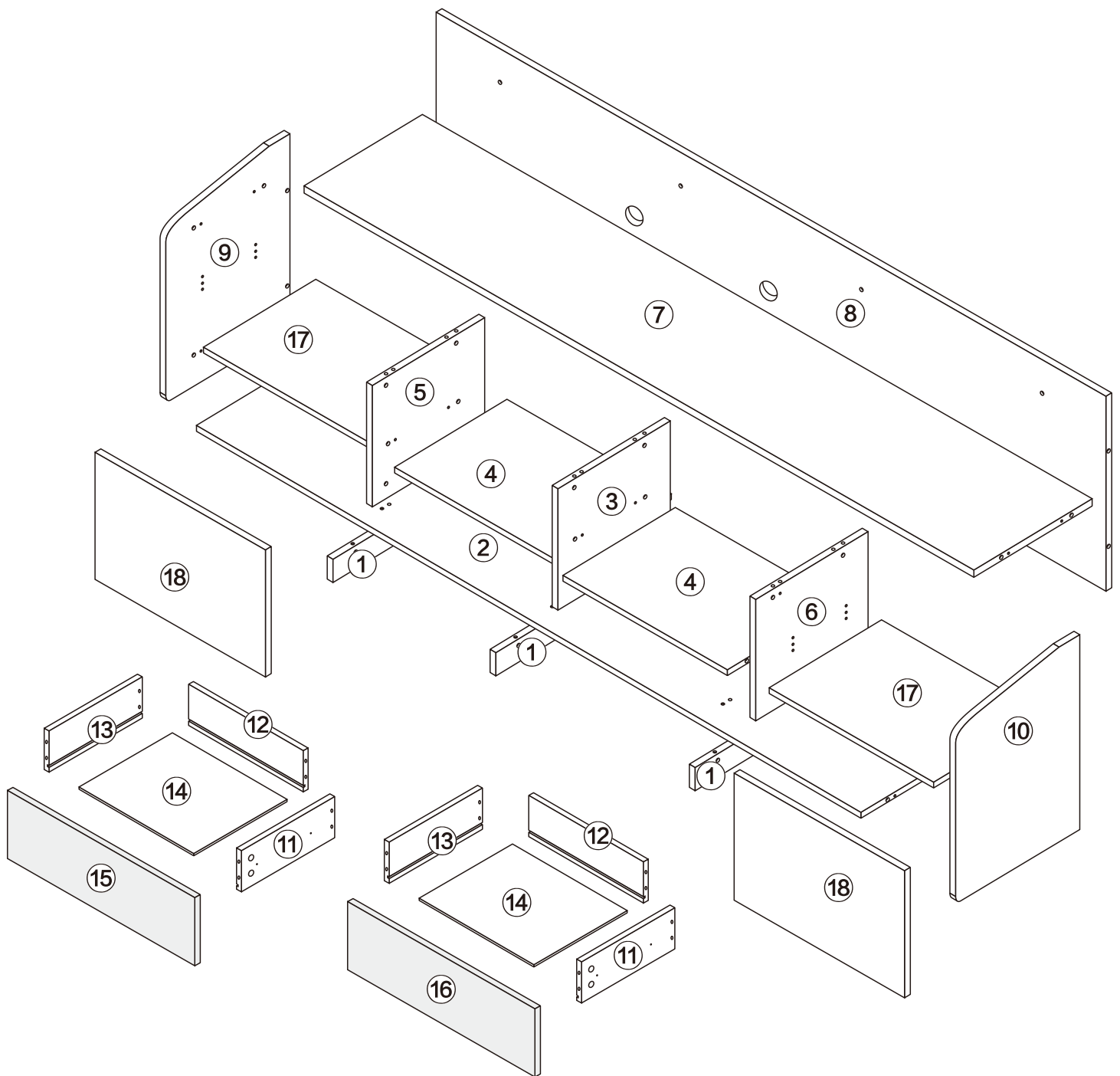
Cabinet Hinge
Adjustment Video



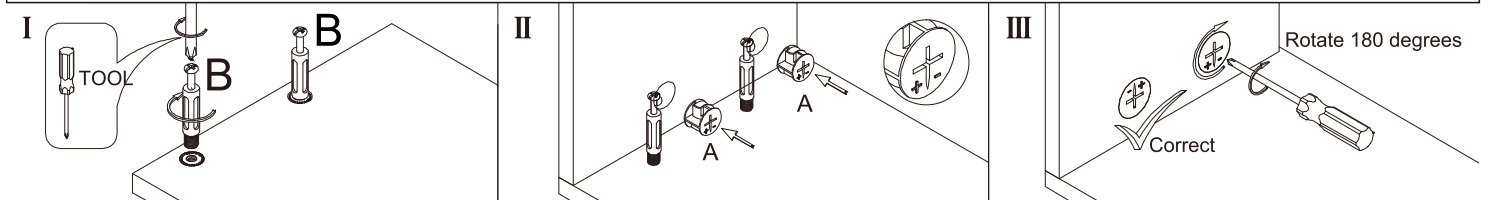
Drawer Glide
Adjustment Video








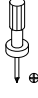





Installation Instructions

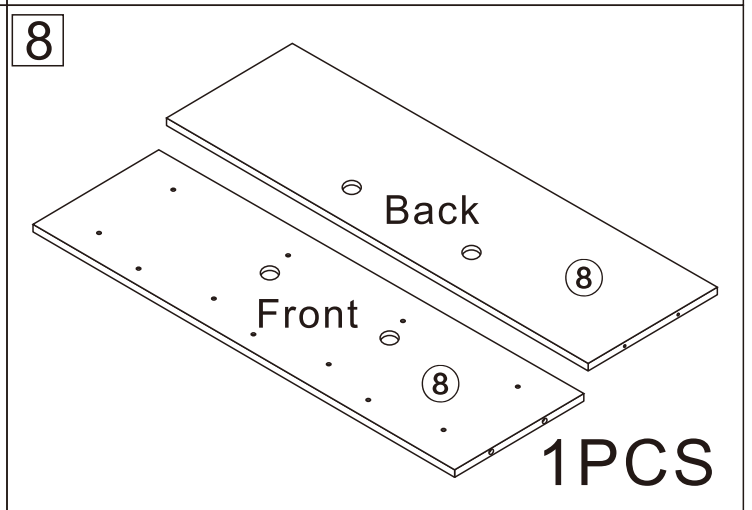
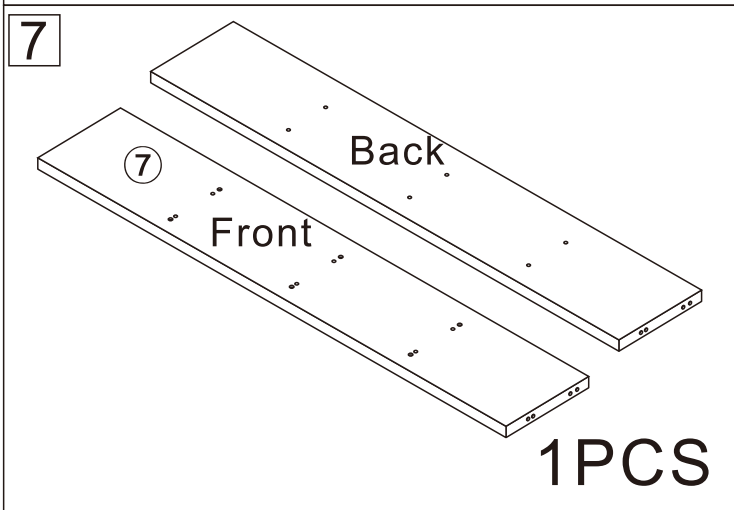
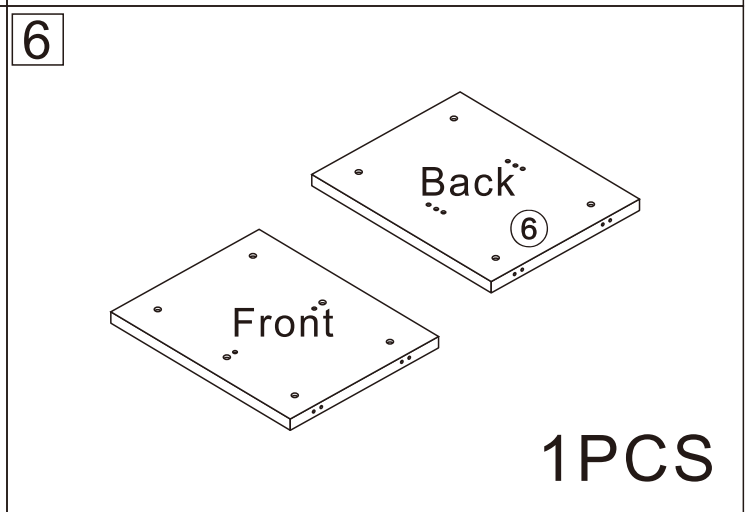
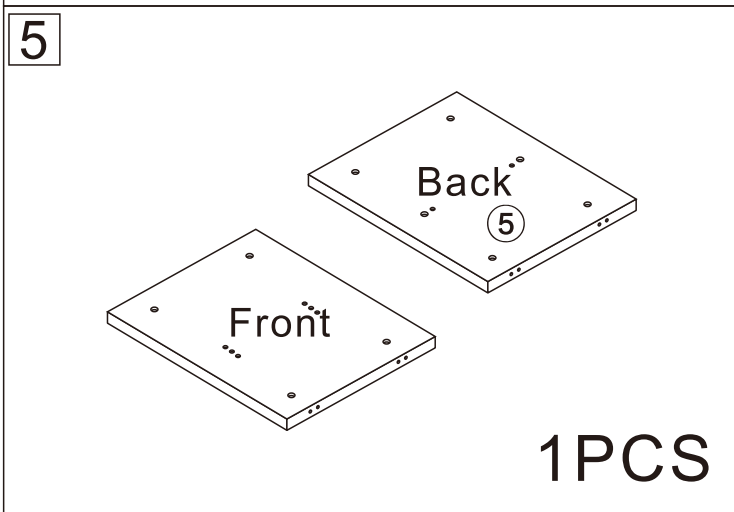
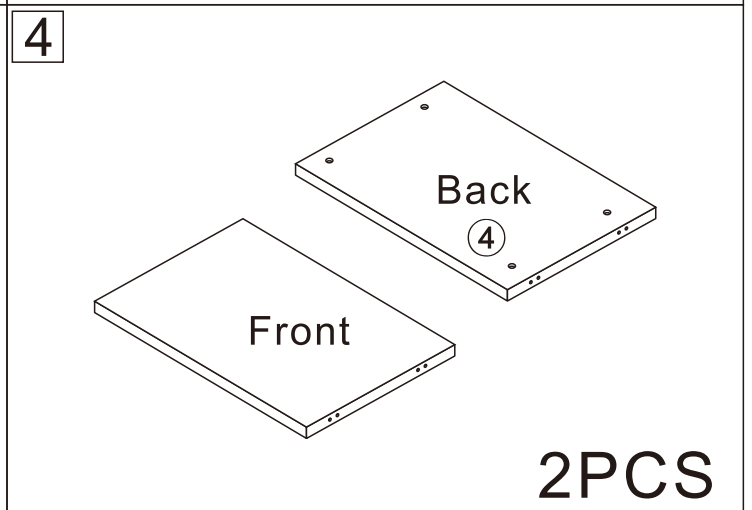
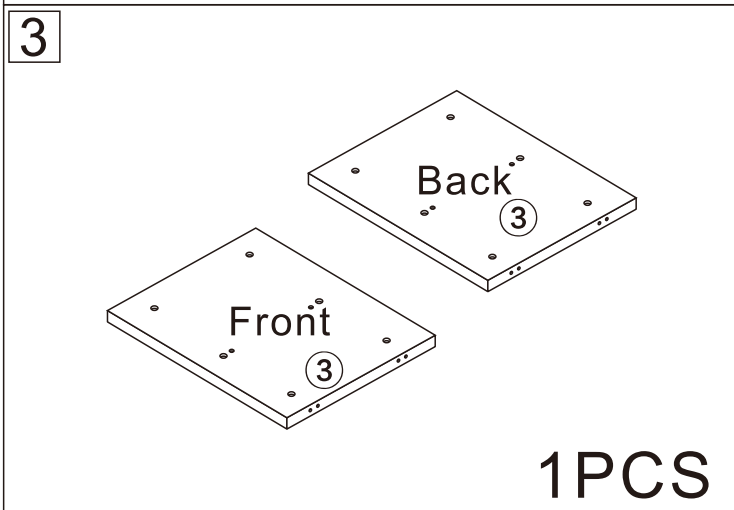
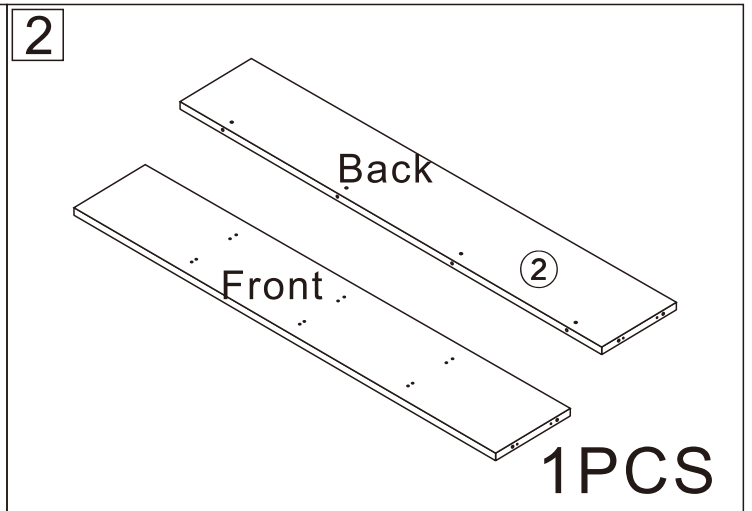
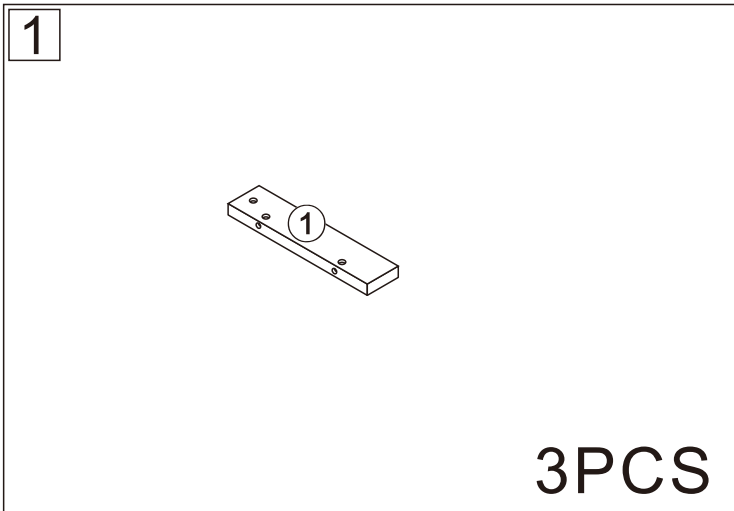
Notes: Don't tighten screws completely at first, just in case parts were assembled wrongly and need disassemble. Tighten screws at last when all parts are put together.

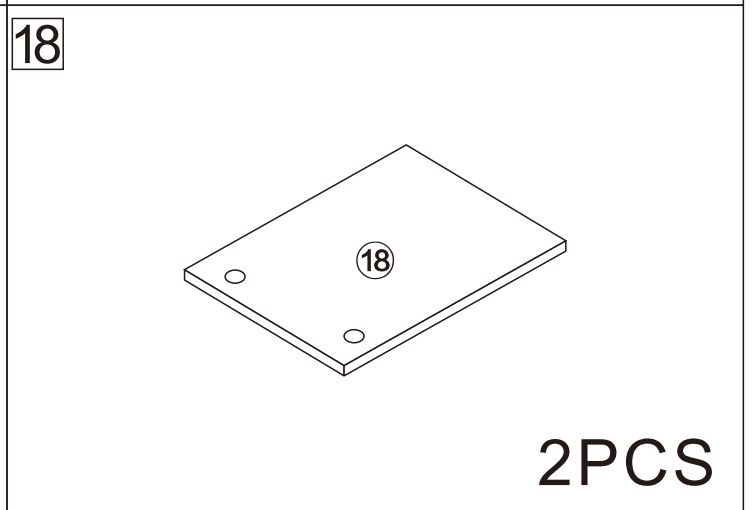
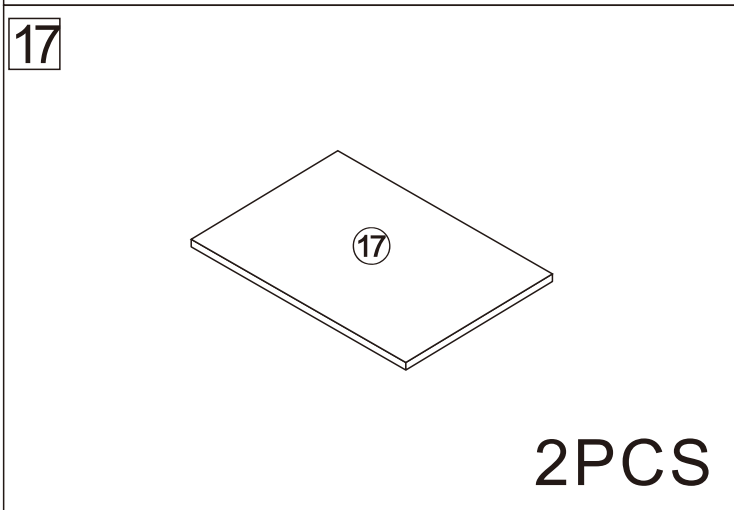
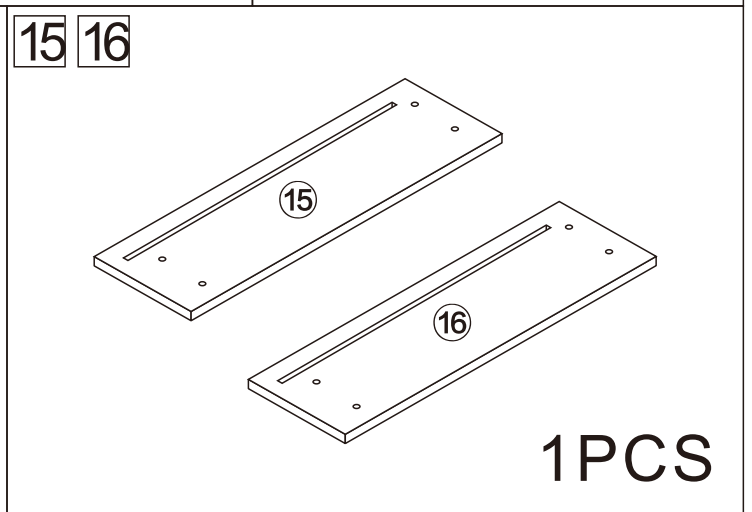
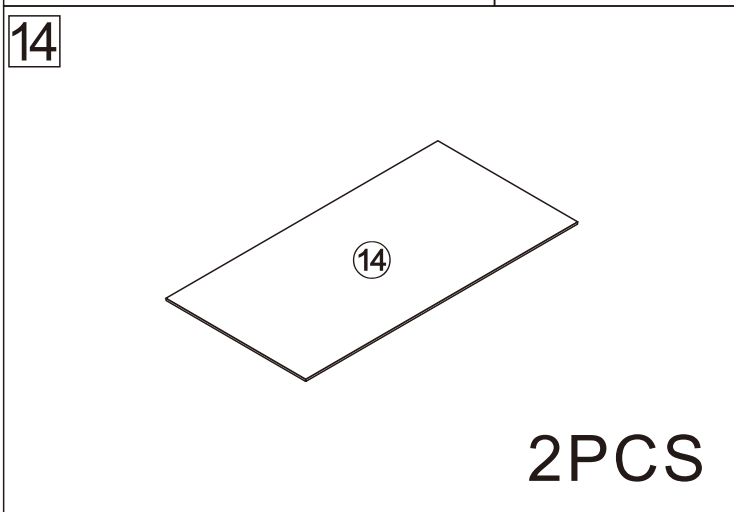
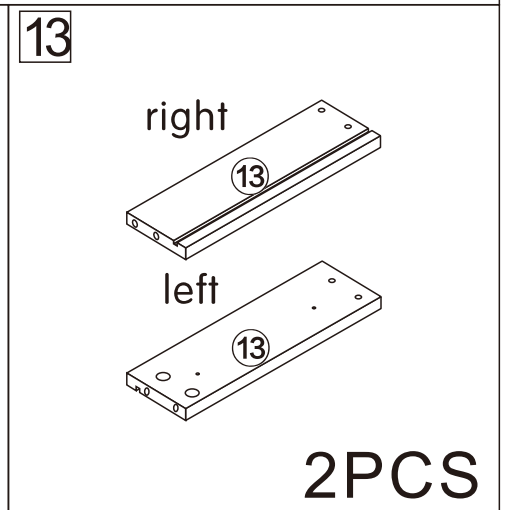
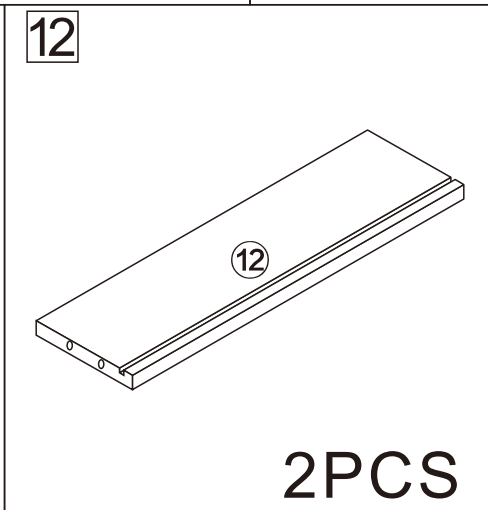
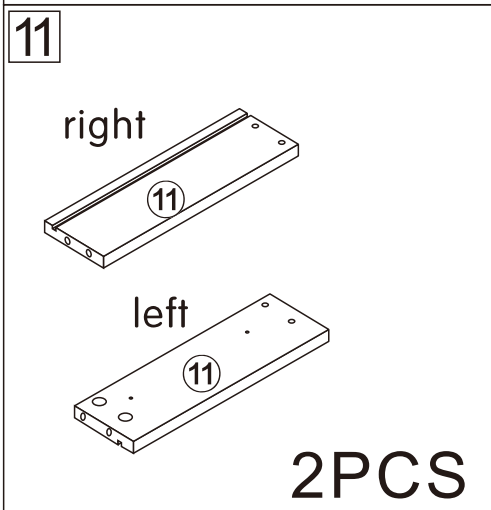
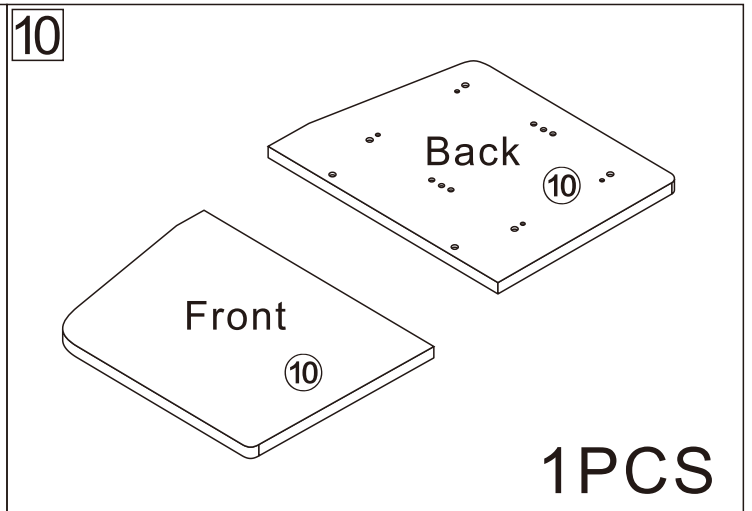
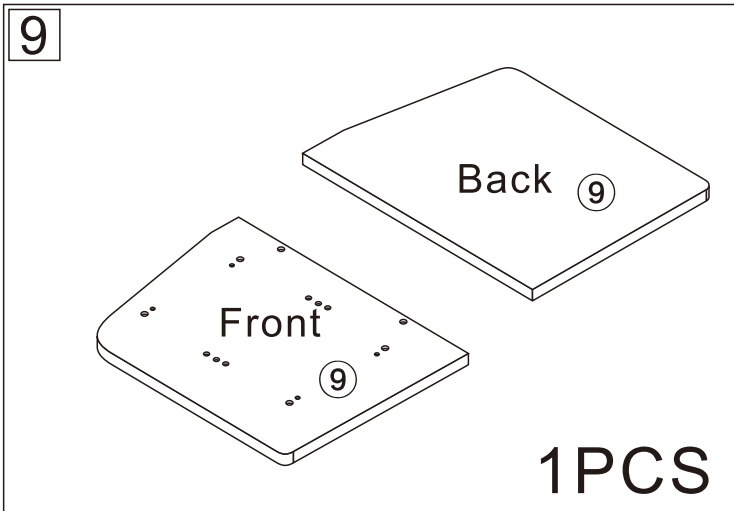


Disassembly and installation of accessories

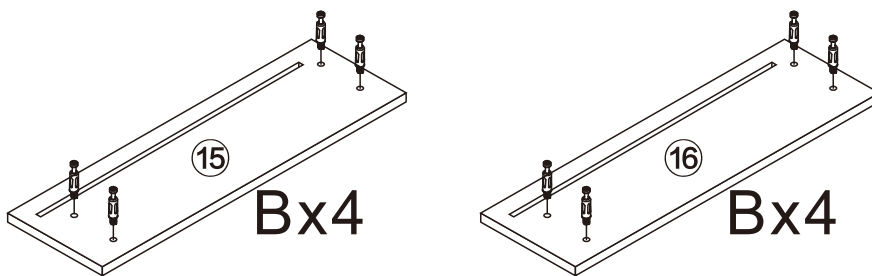
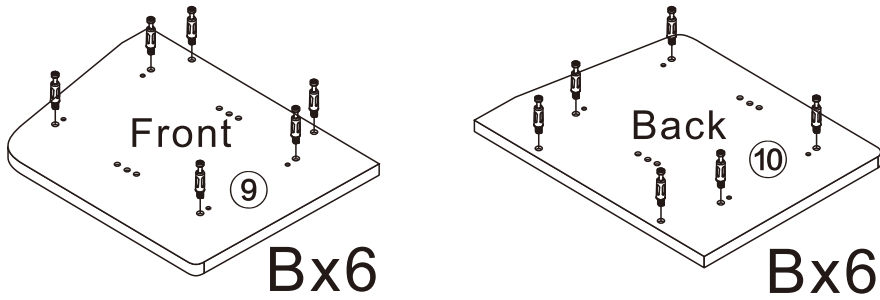
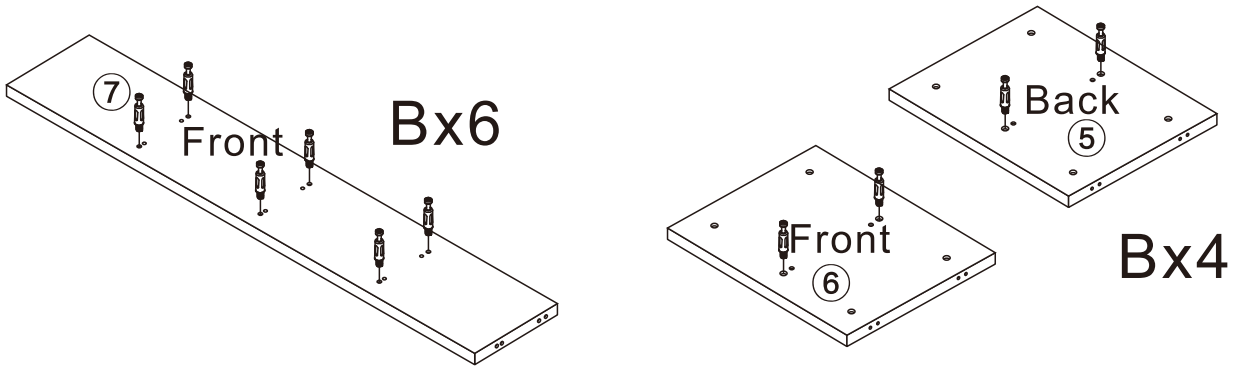
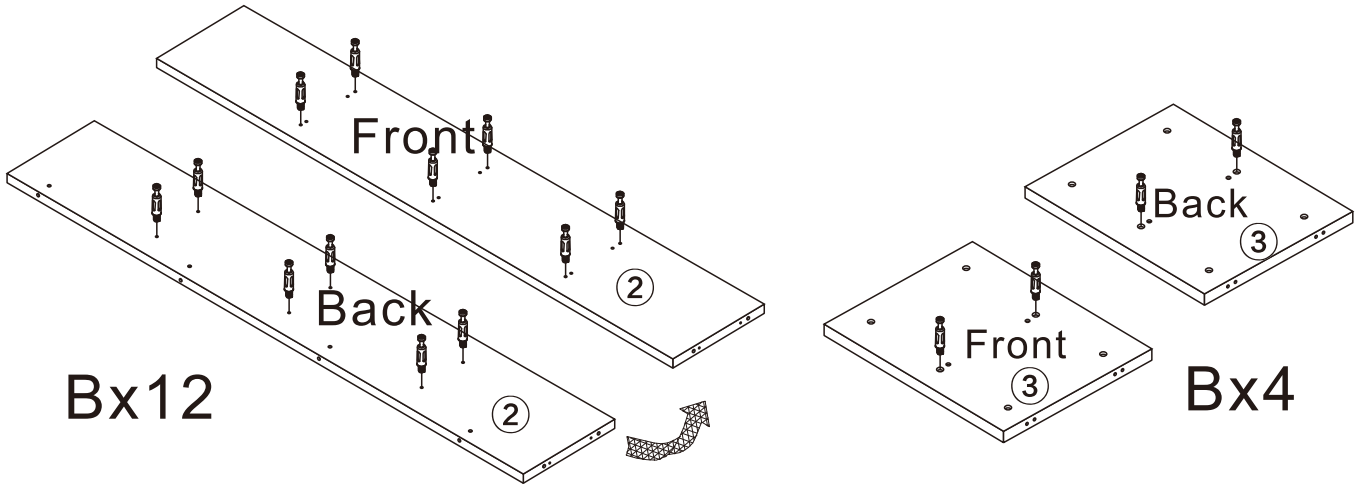



A 46PCS  15*10mm	B 46PCS  6*28mm	C 16PCS  3.5*14mm	D 4PCS  Three-section Rail	E 8PCS  3.5*40mm	F 28PCS  8*30mm	G 14PCS  φ 15mm	 Tools Recommended
H 4PCS 	I 16PCS  4*12mm	J 8PCS 	K 11PCS  4*40mm	L 2PCS 			





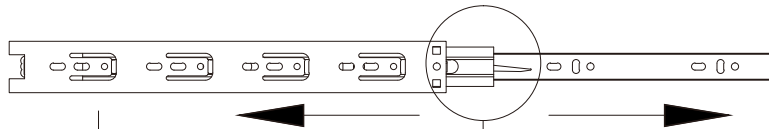
1



B	46PCS
	
6*28mm	

2

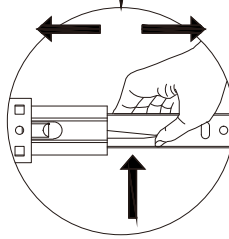
Dx4



D₁



D₂



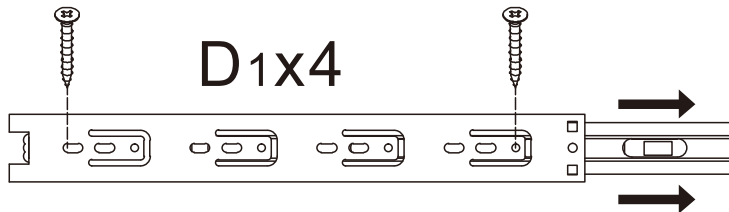
D₁ 4PCS



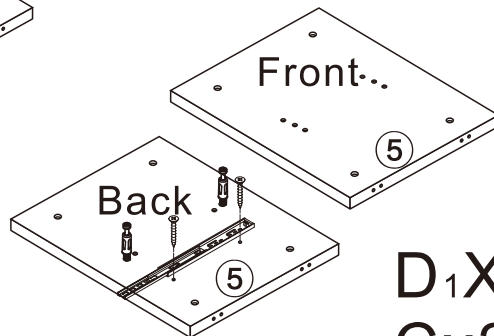
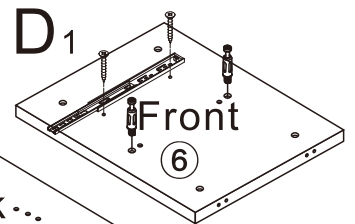
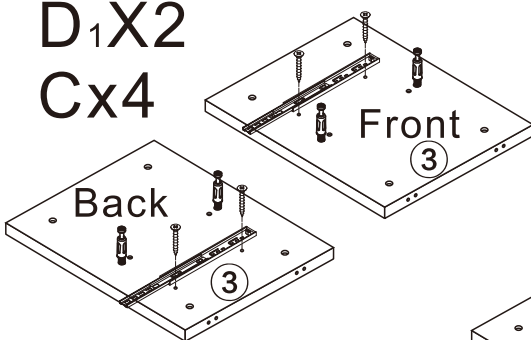
Three-section Rail

3

D₁X4



D₁X2
Cx4



D₁X1
Cx2

D₁X1
Cx2

C 8PCS



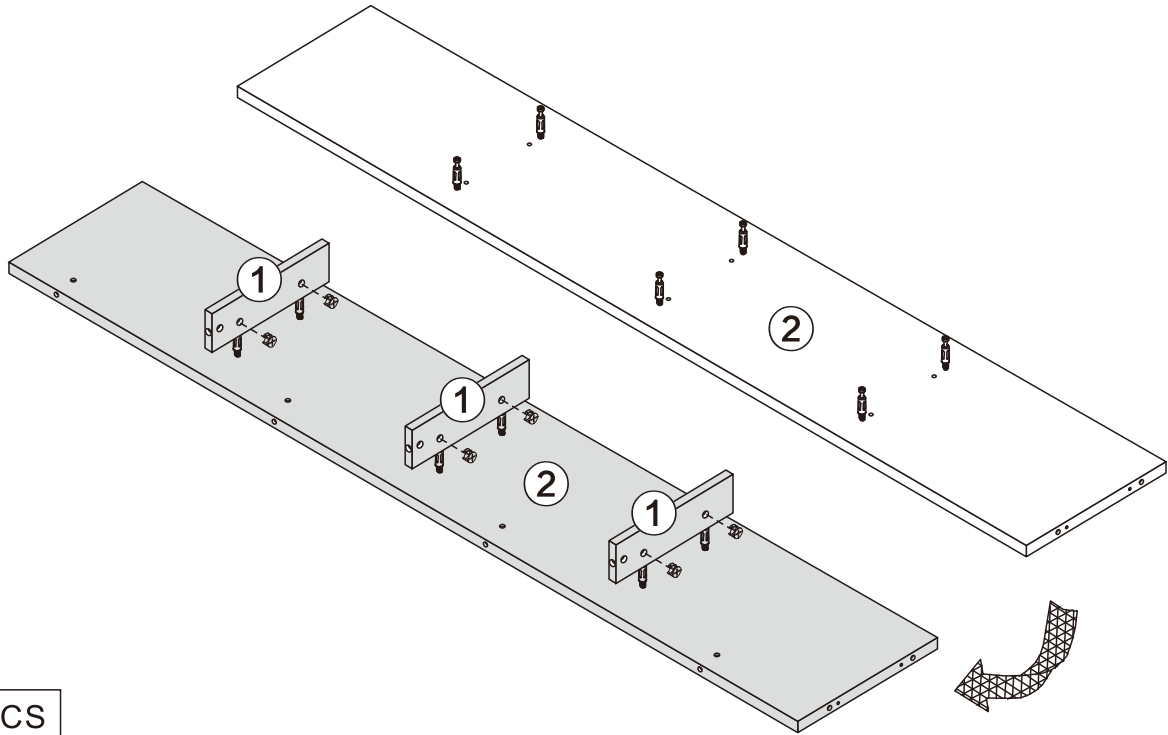
3.5*14mm


D₁ 4PCS



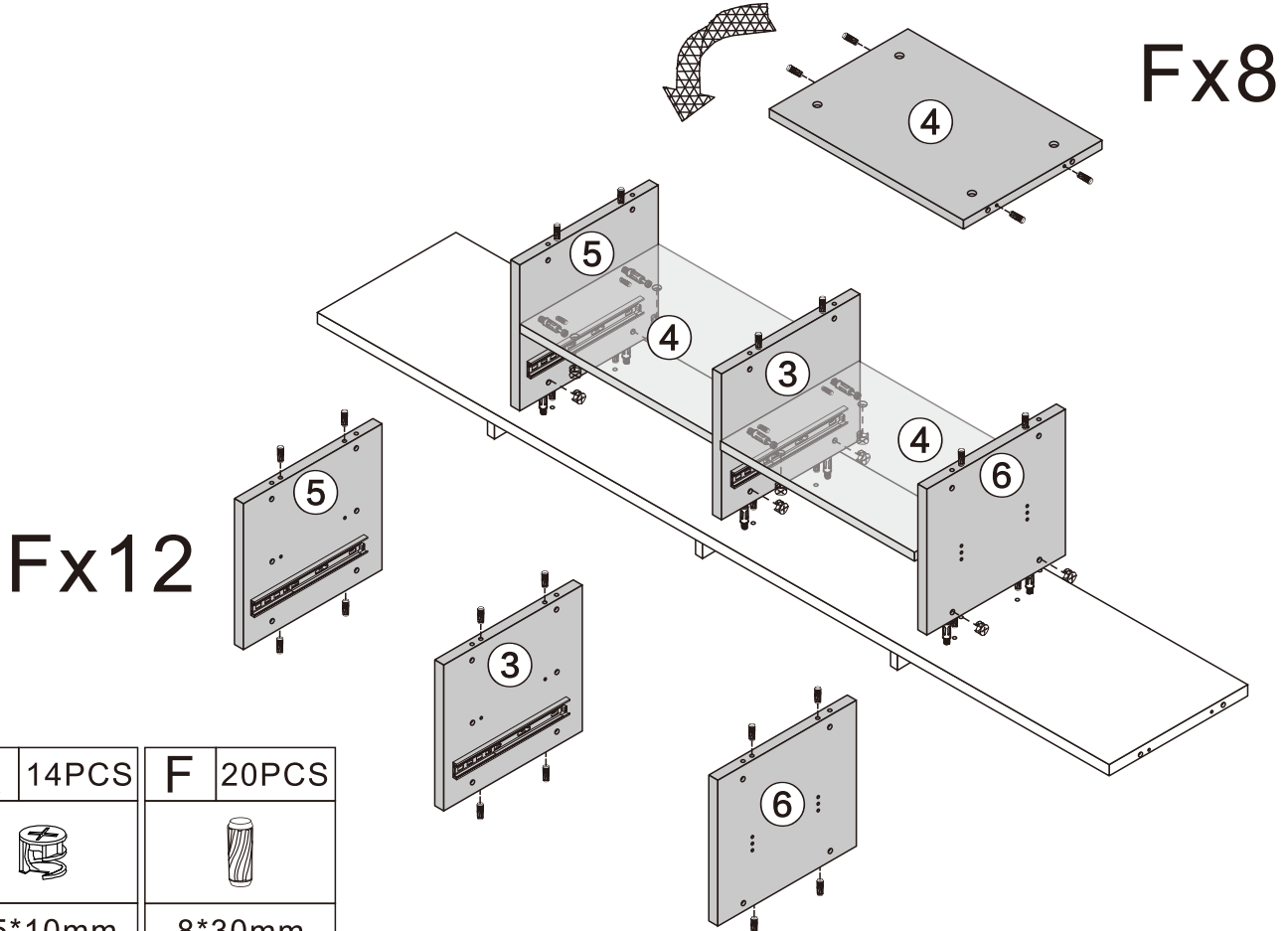
Three-section Rail



4



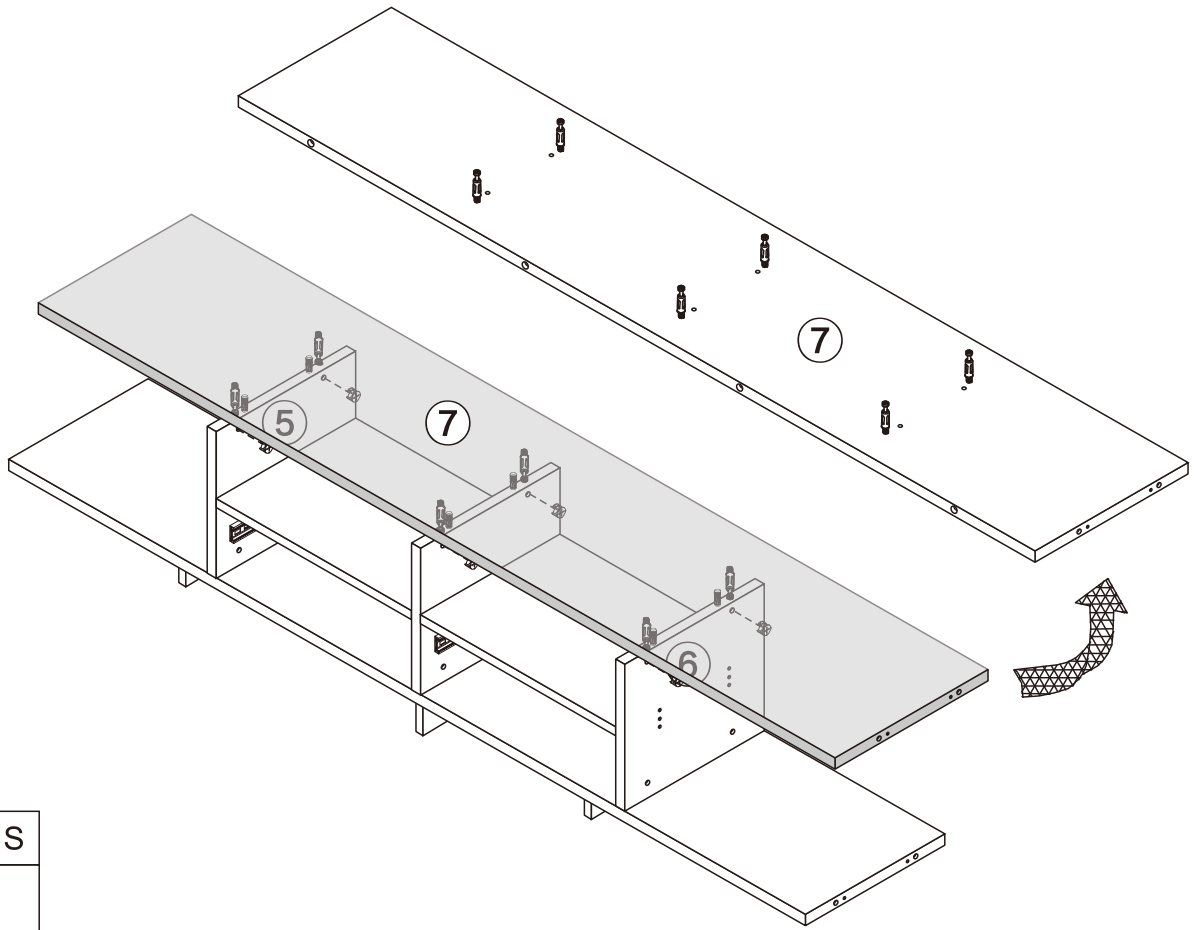
A	6PCS
	
15*10mm	


5



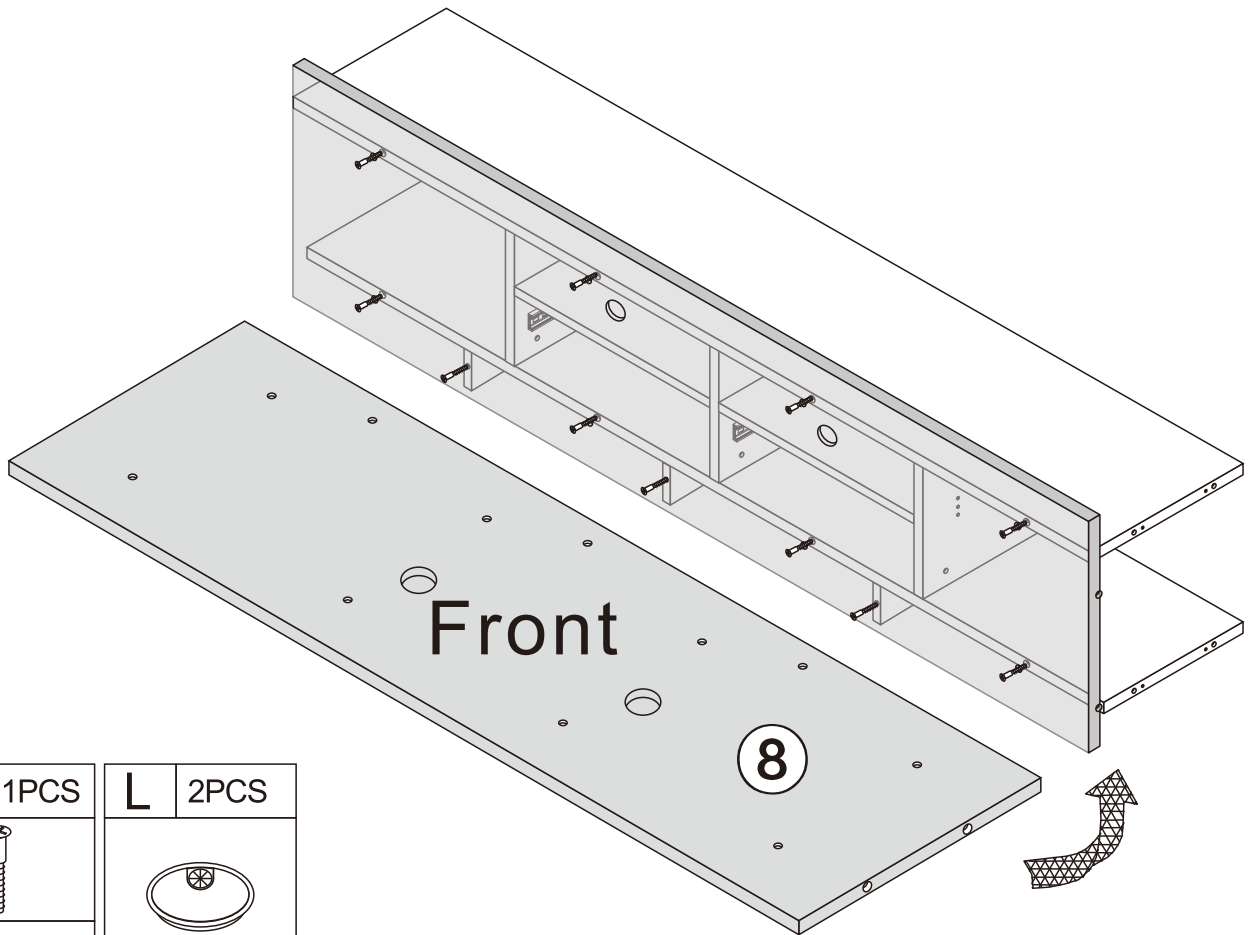
A	14PCS	F	20PCS
			
15*10mm		8*30mm	



6



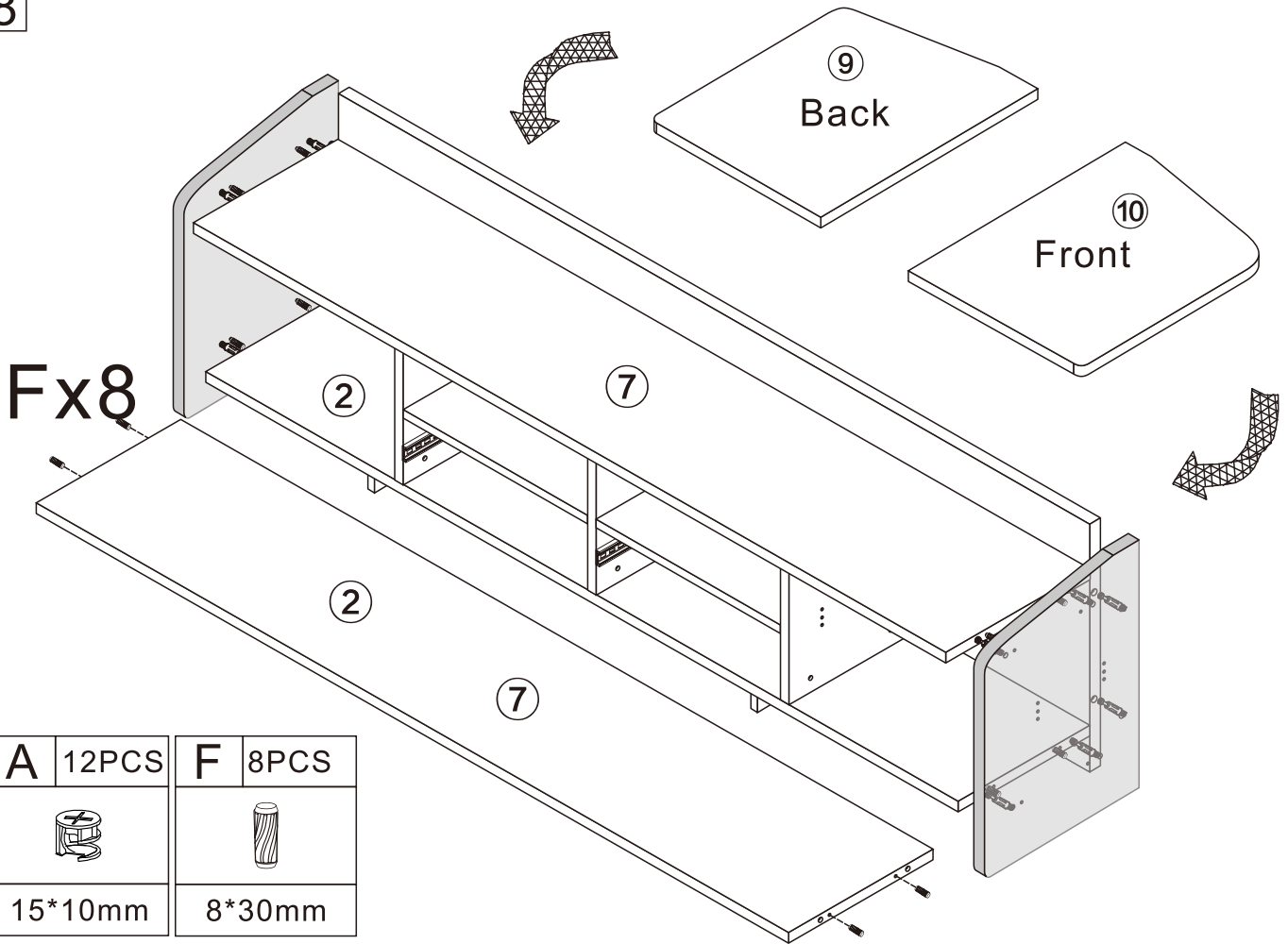
A	6PCS
	
15*10mm	



7



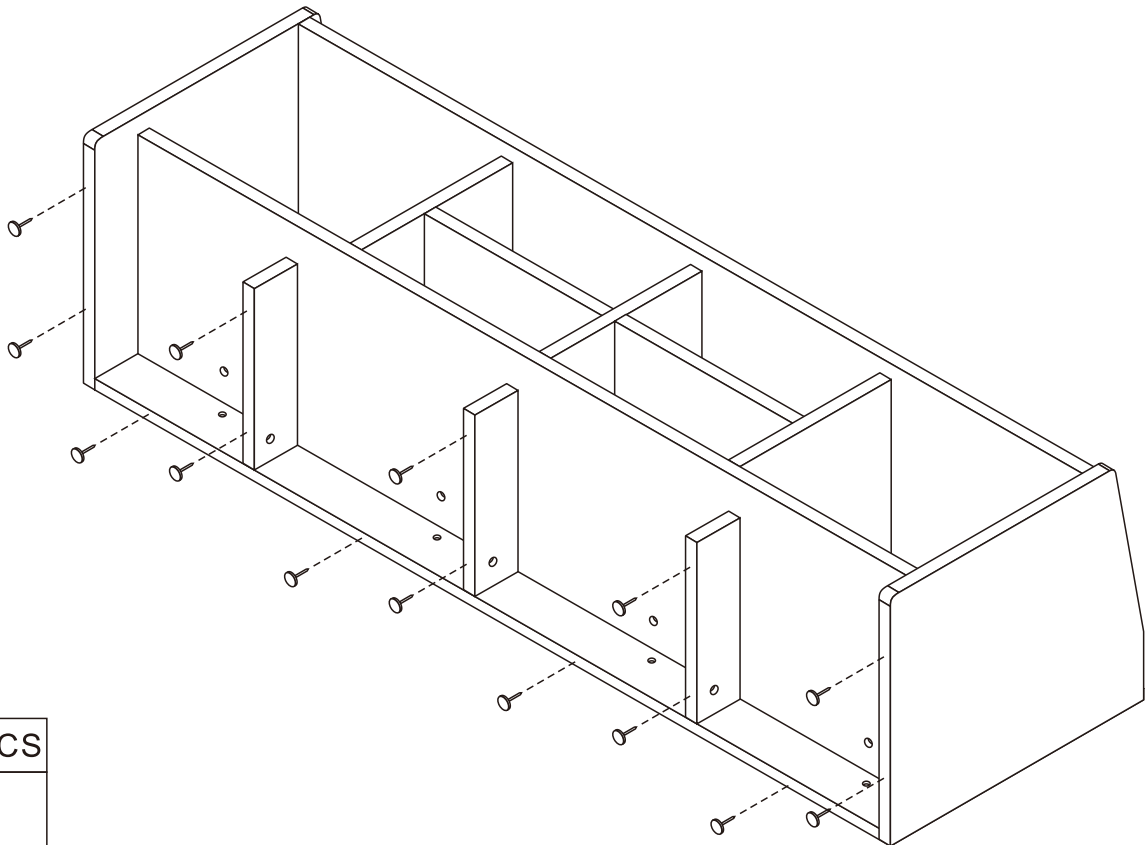
K	11PCS	L	2PCS
			
4*40mm			


8



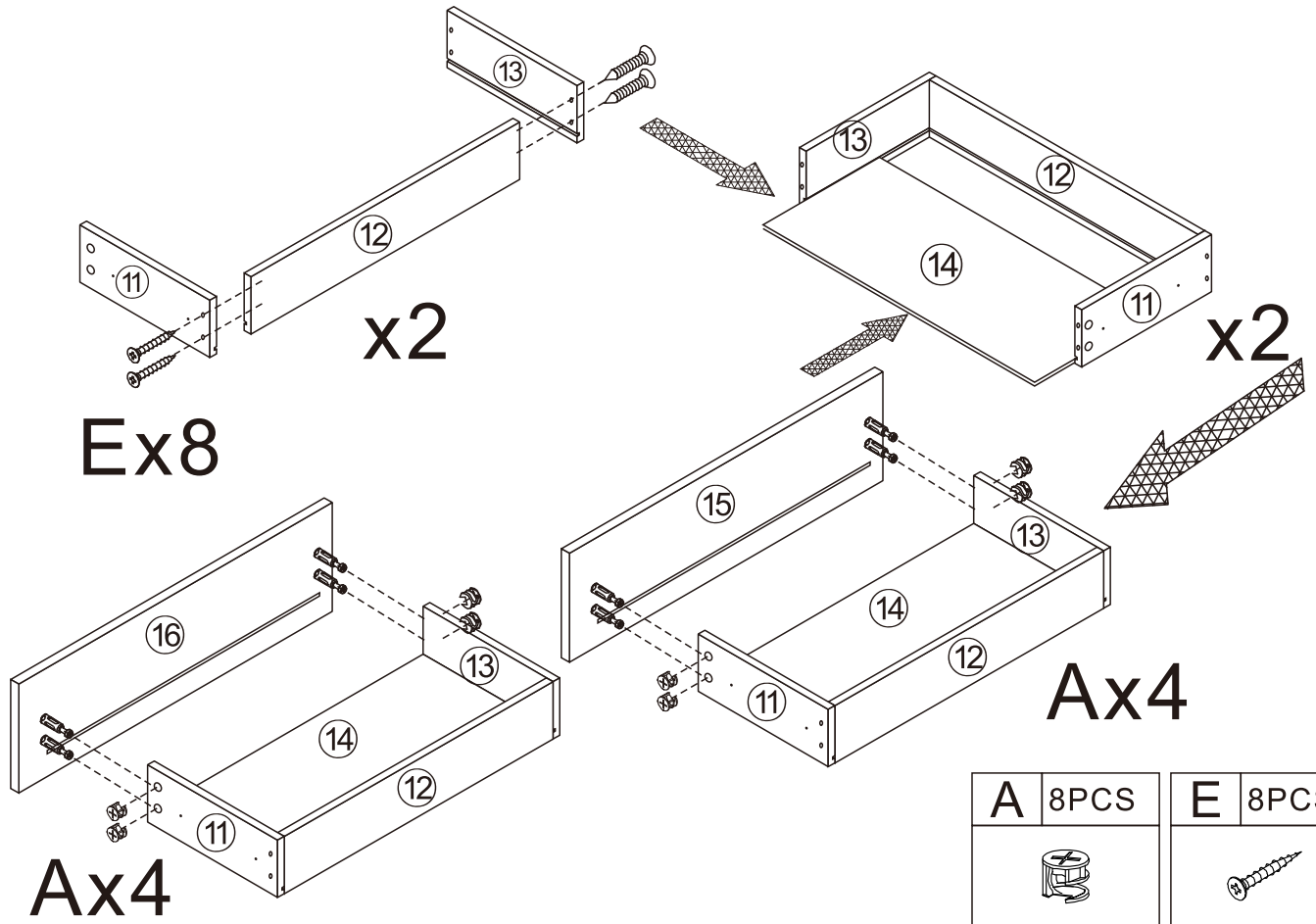
A	12PCS	F	8PCS
			
15*10mm		8*30mm	

9



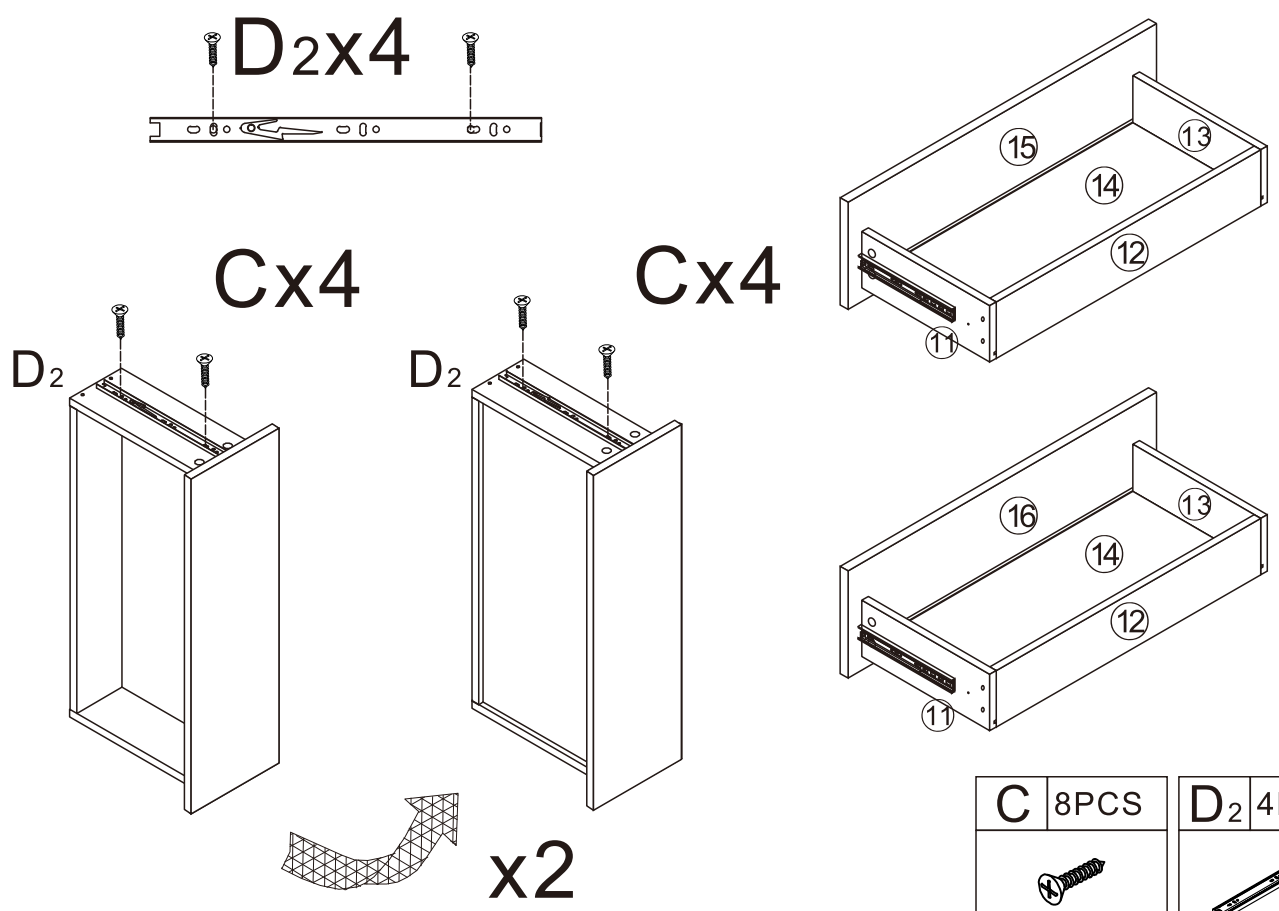
G	14PCS
	
φ 15mm	

10



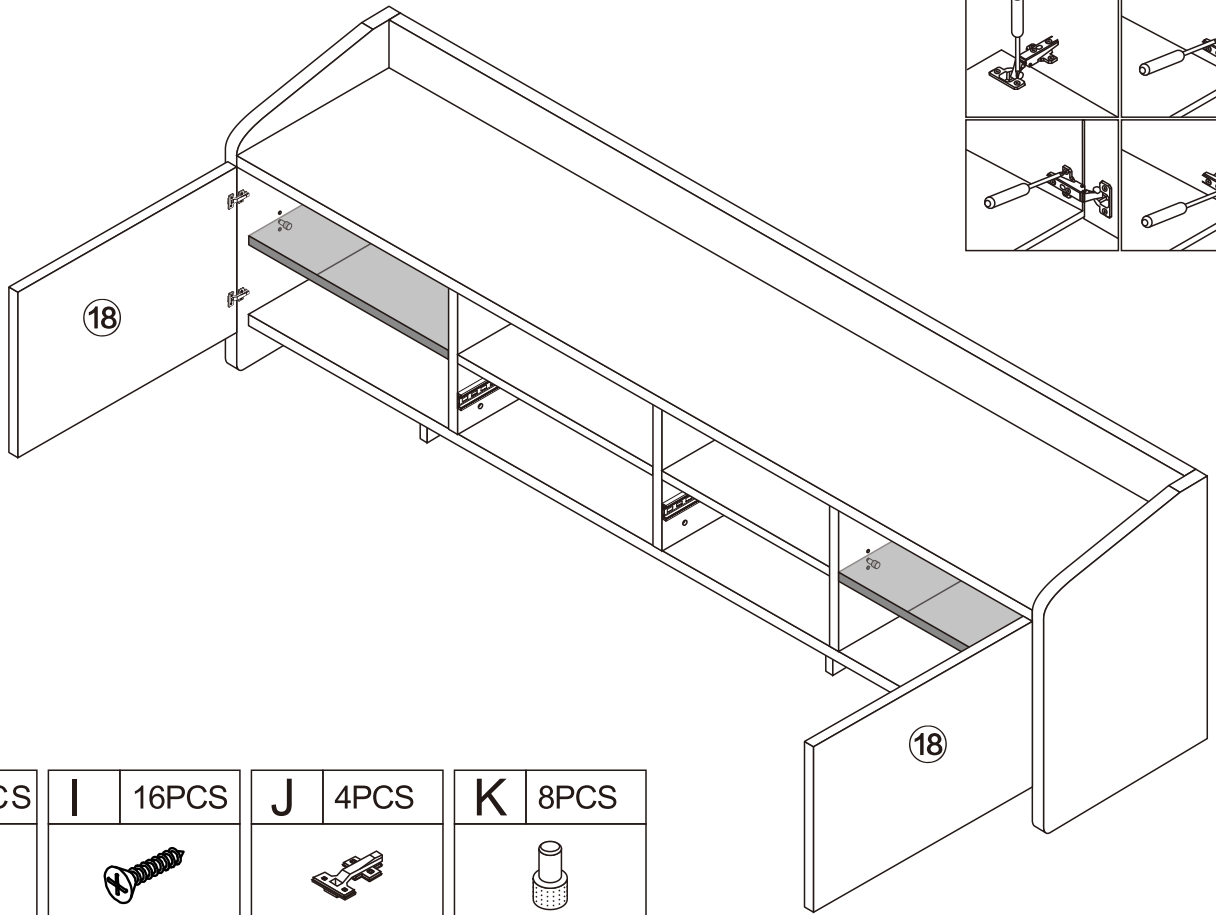
A	8PCS	E	8PCS
15*10mm		3.5*40mm	

11



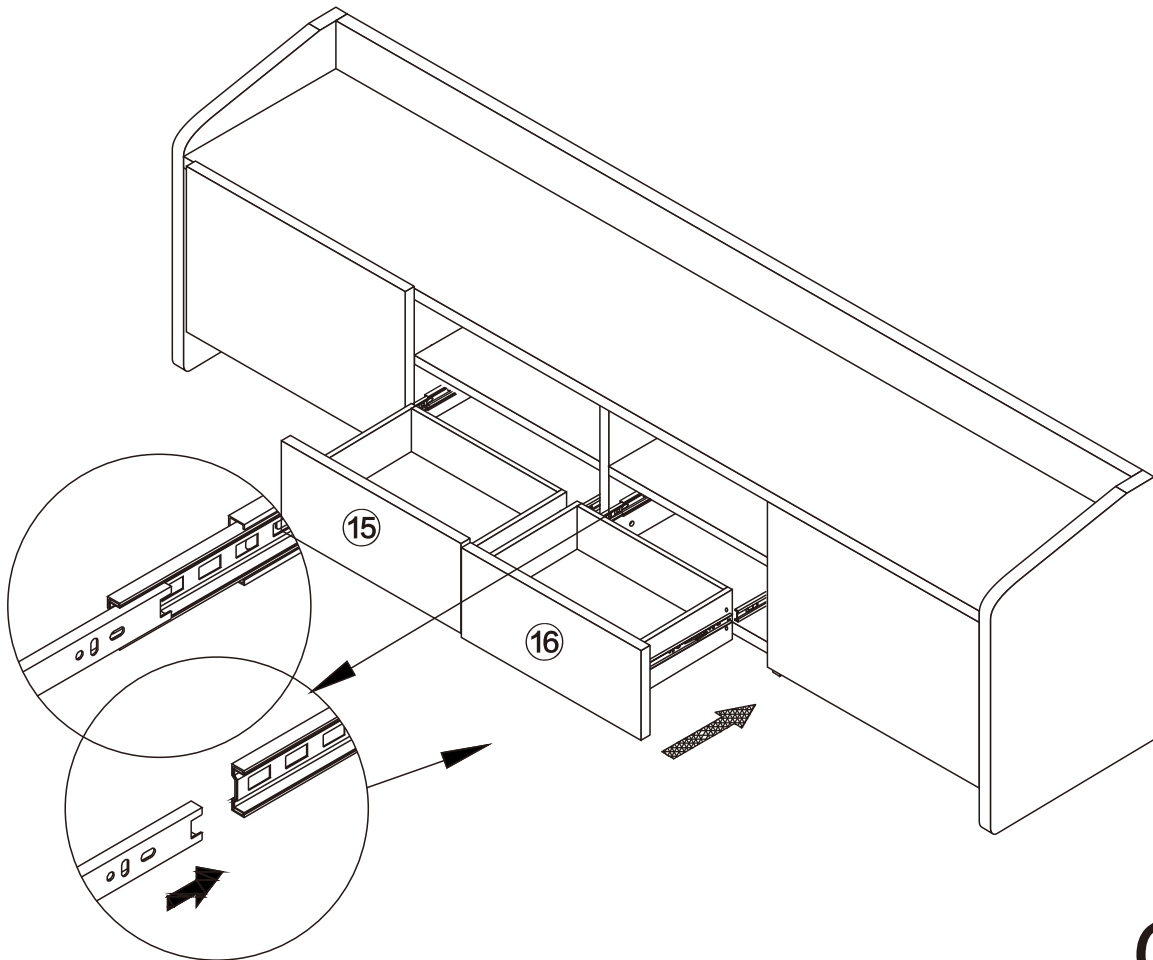
C	8PCS	D₂	4PCS
3.5*14mm		Three-section Rail	

12



C	16PCS	I	16PCS	J	4PCS	K	8PCS
3.5*14mm		4*12mm					

13



OK