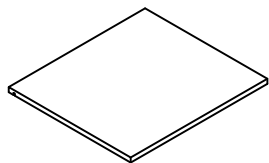
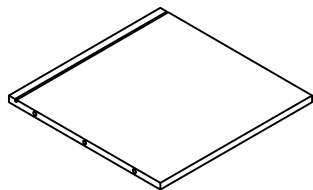


1



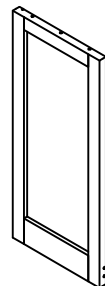
452\*405 1PCS

2



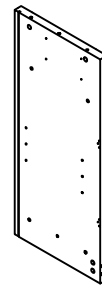
390\*390 1PCS

3



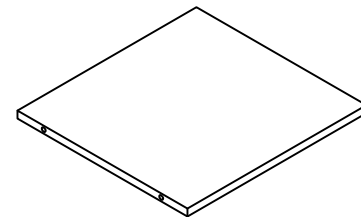
885\*390 1PCS

4



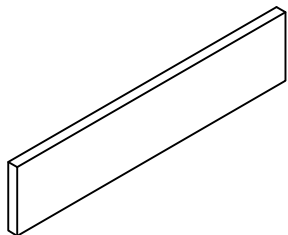
885\*390 1PCS

5



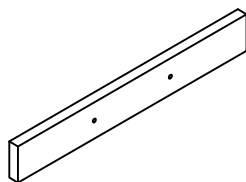
390\*370 1PCS

6



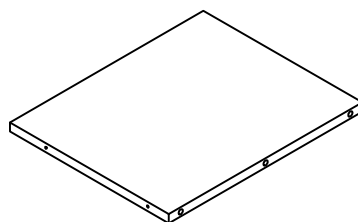
452\*100 1PCS

7



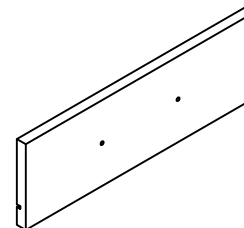
385\*53 1PCS

8



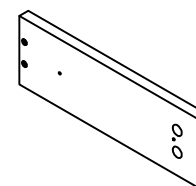
365\*300 1PCS

9



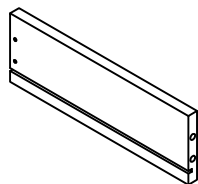
385\*125 1PCS

10



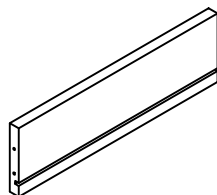
300\*100 1PCS

11



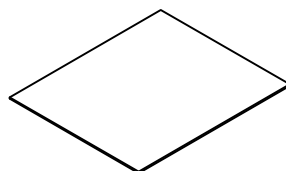
300\*100 1PCS

12



335\*100 1PCS

13



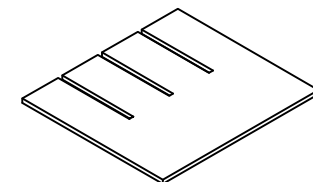
345\*294 1PCS

14



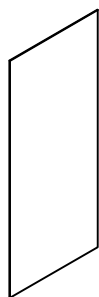
582\*350 3PCS

15



387\*350 7PCS

16



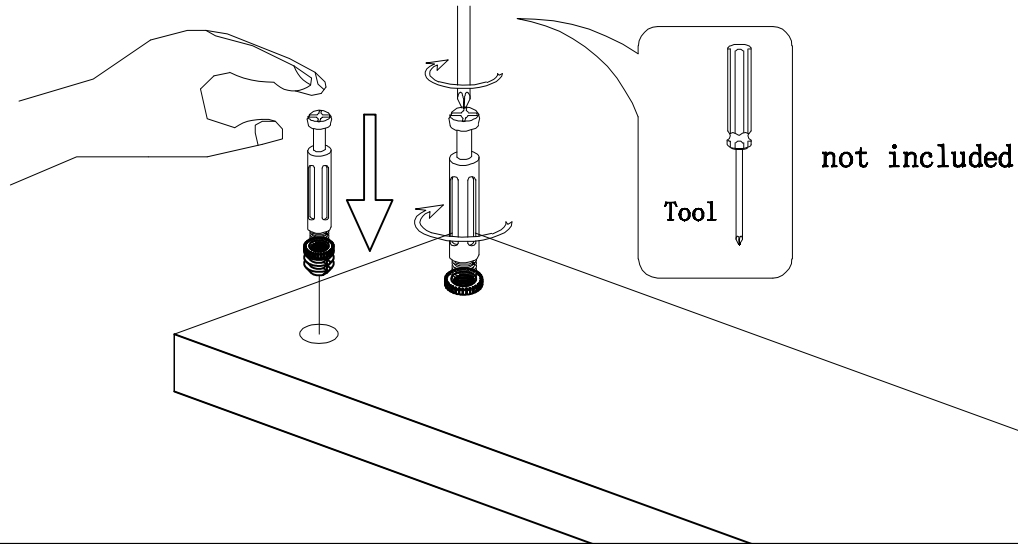
879\*400 1PCS



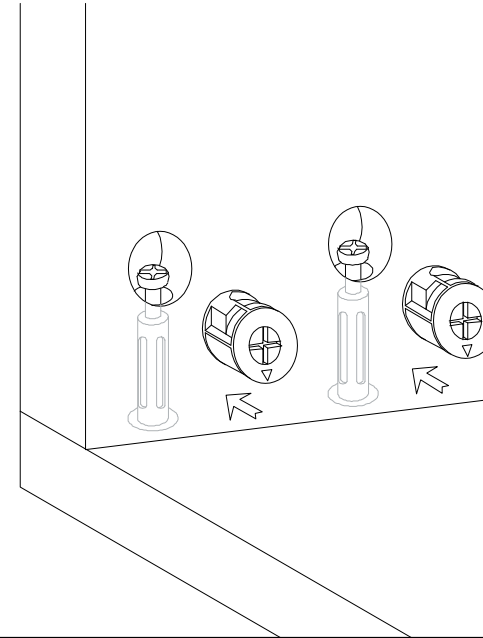
# Hardware installation demonstration

NOTE: Please make sure "A" hardware tightened and can't be pulled out!

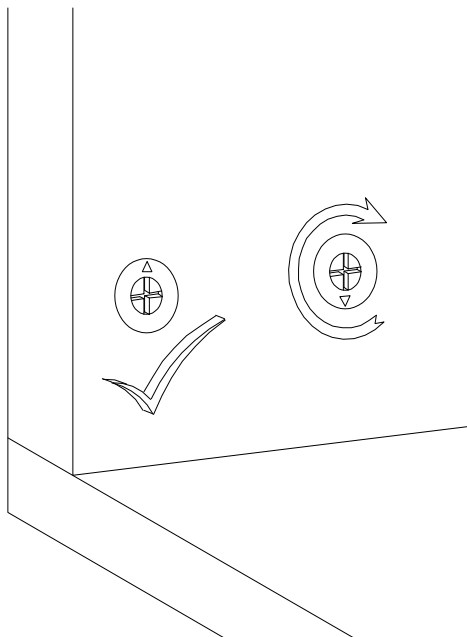
I



II

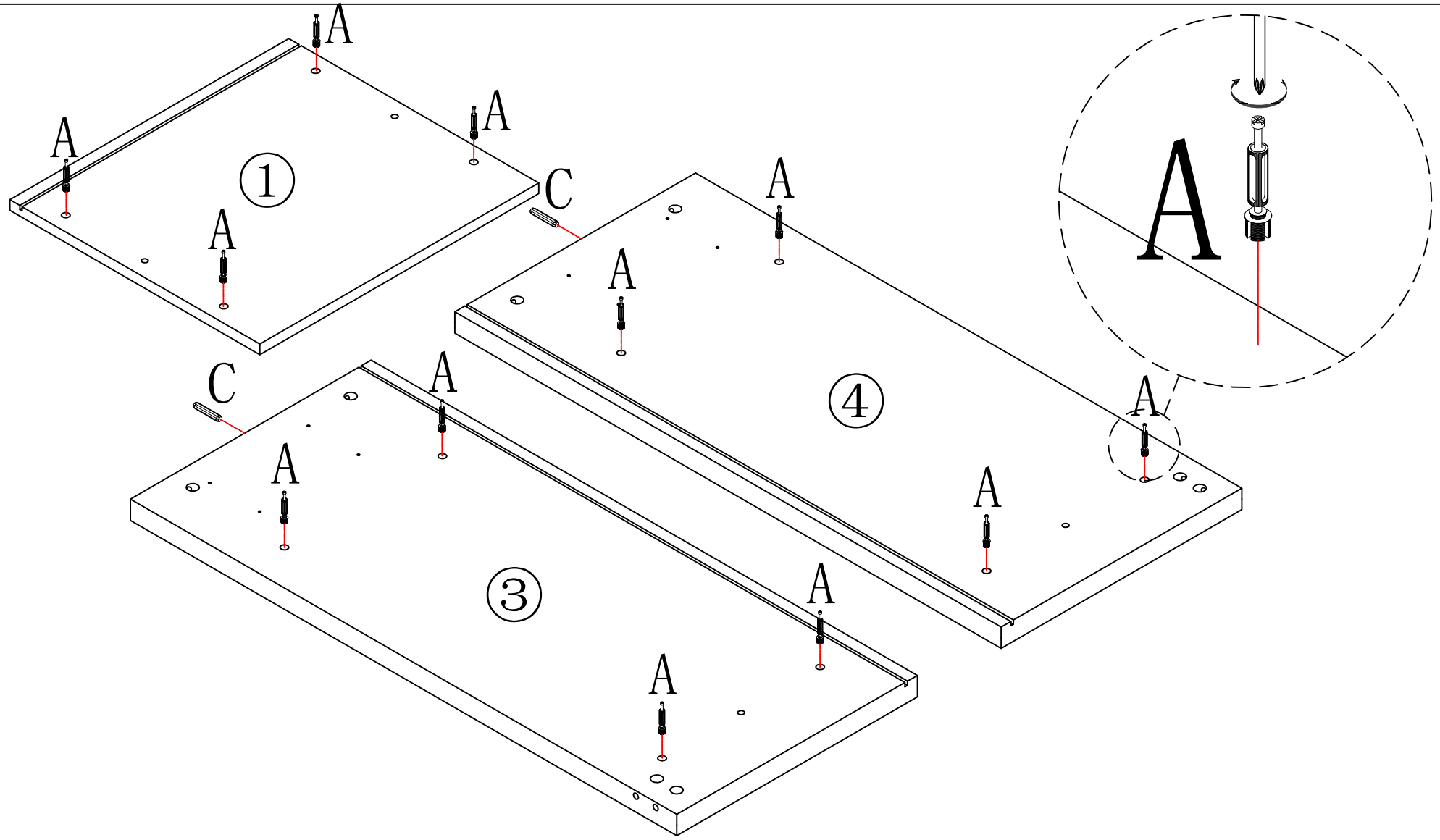



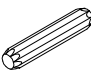
III



IV

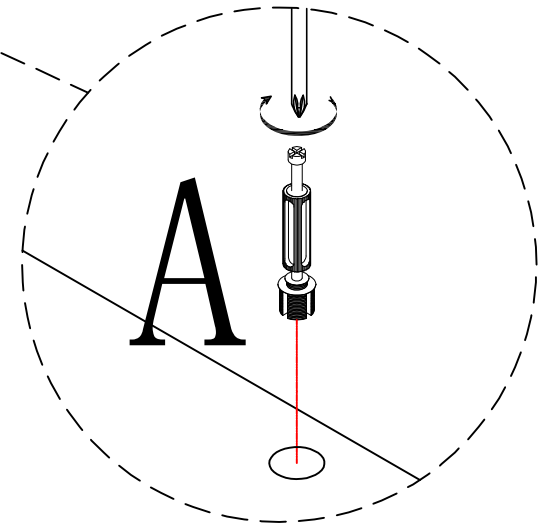
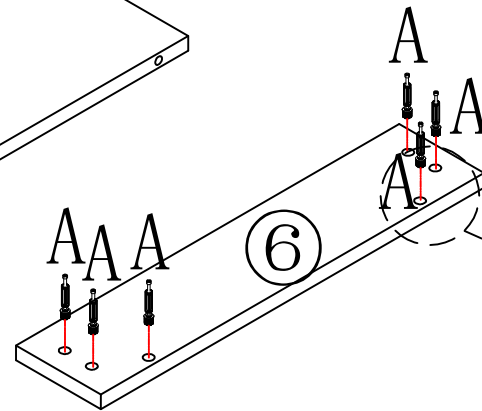
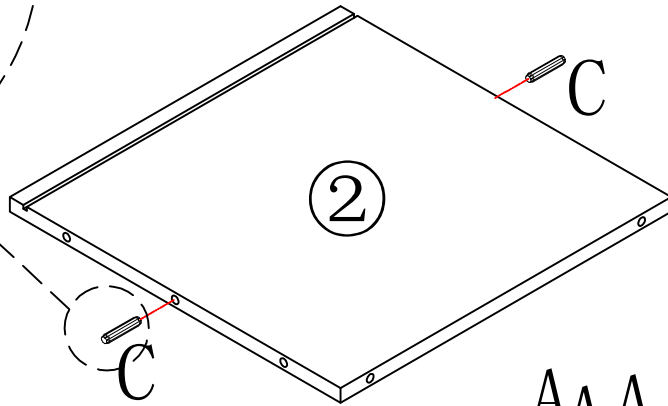
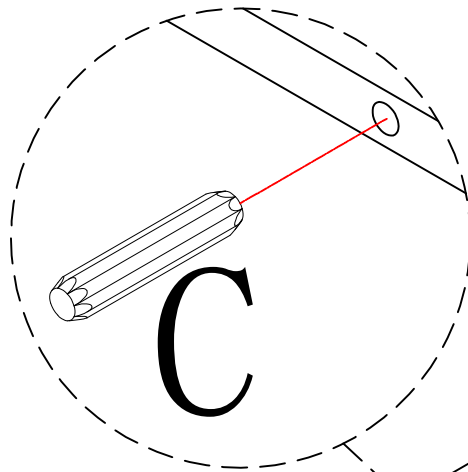
①



	A*12
	C*2


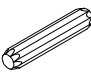
put A on board ① ③ ④  
 put C on board ③ ④

②

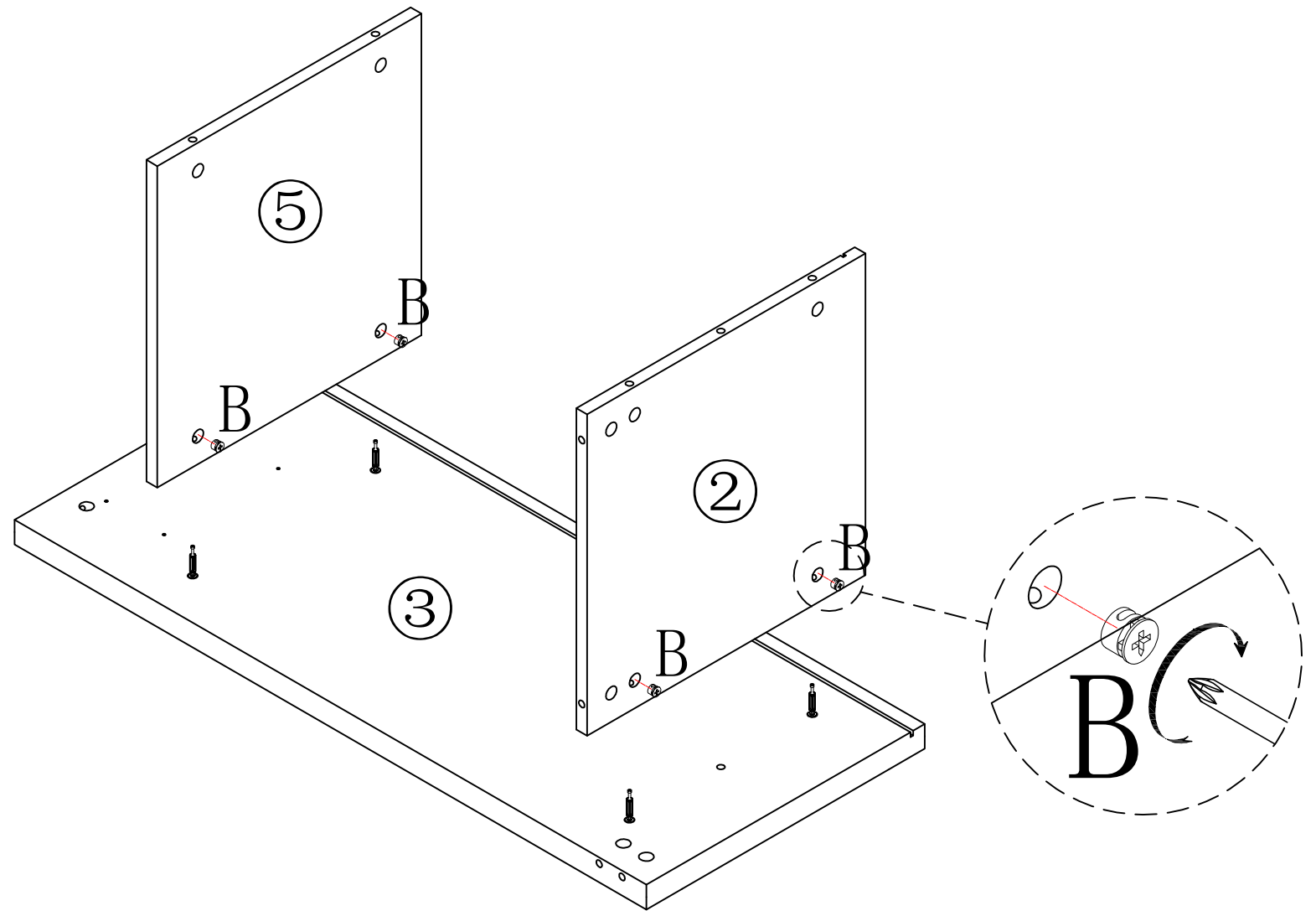


put A on board ⑥

put C on board ②

	A*6
	C*2

③



Make sure the arrow on the screw align to the hole on the side.

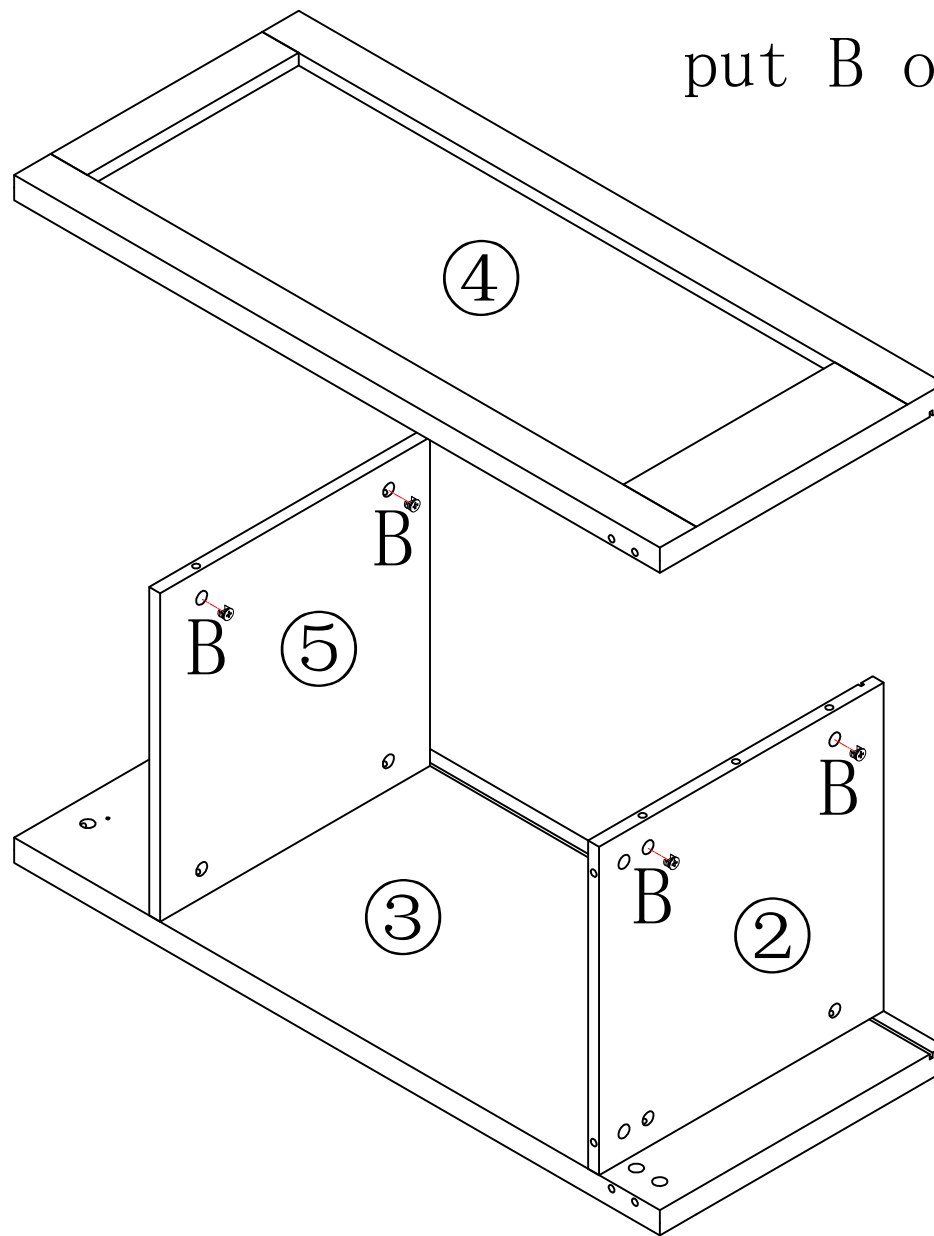
put B on board ② ⑤



B\*4

④

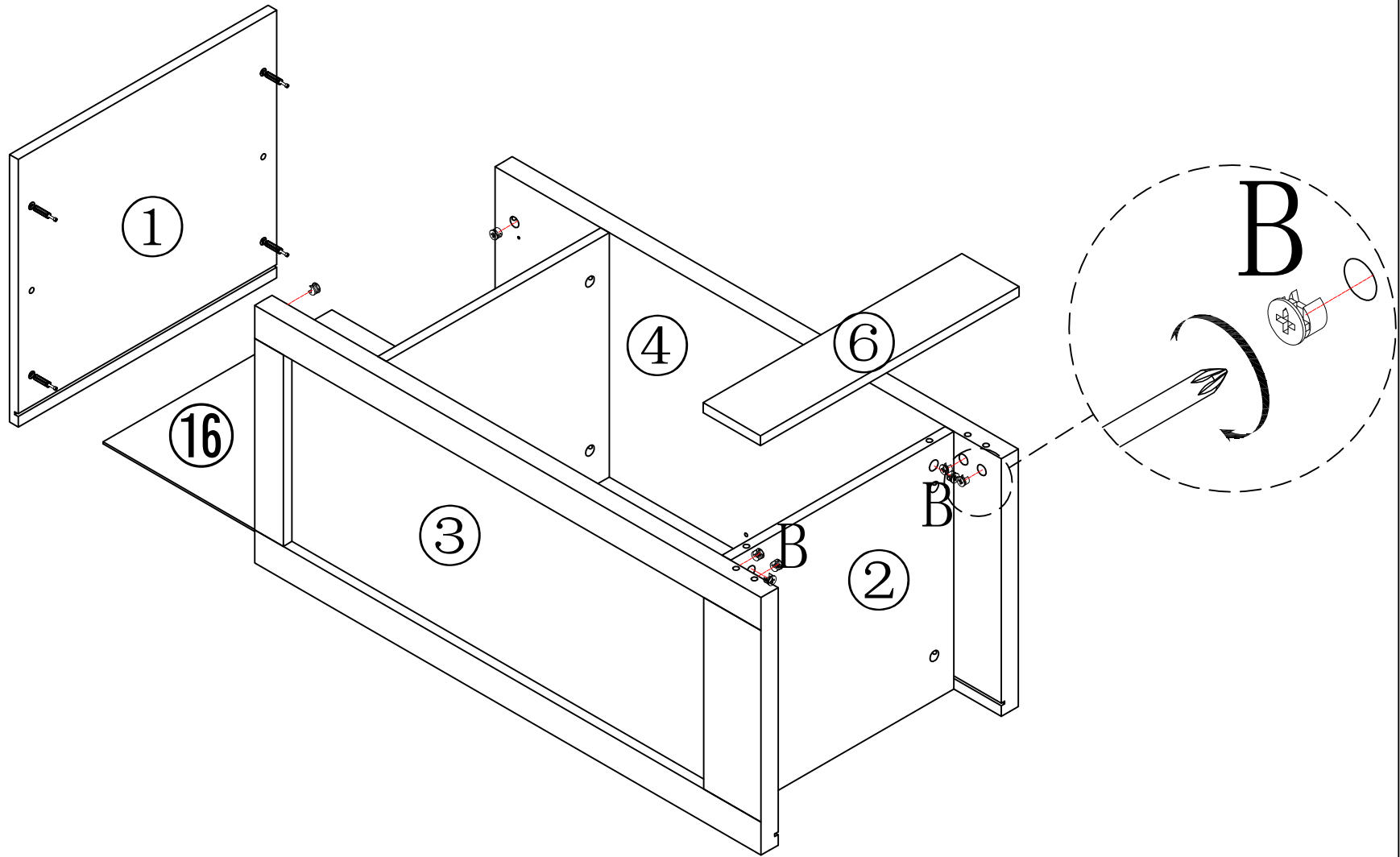
put B on board ② ⑤



B\*4

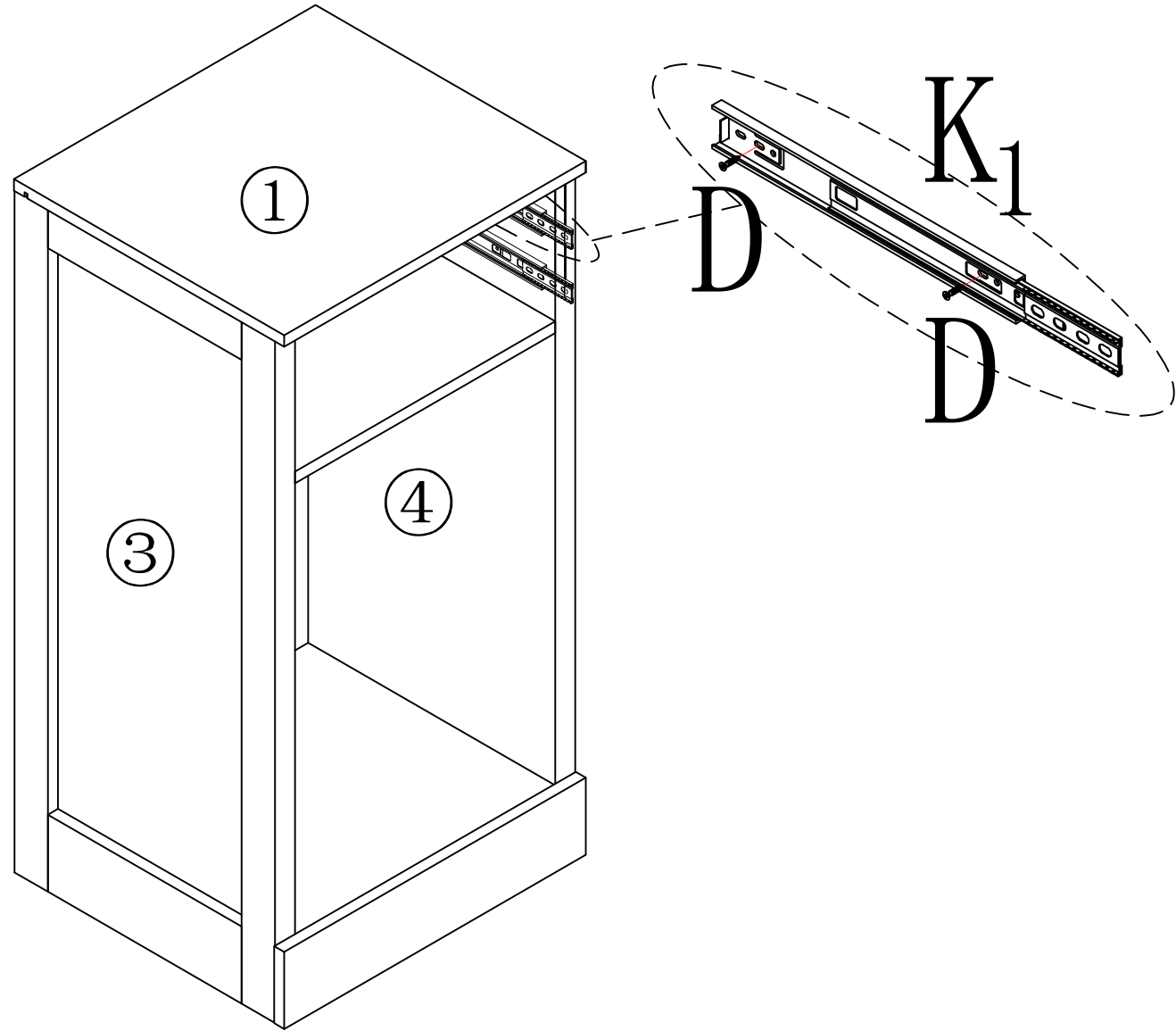
5

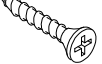

put B on board ② ③ ④



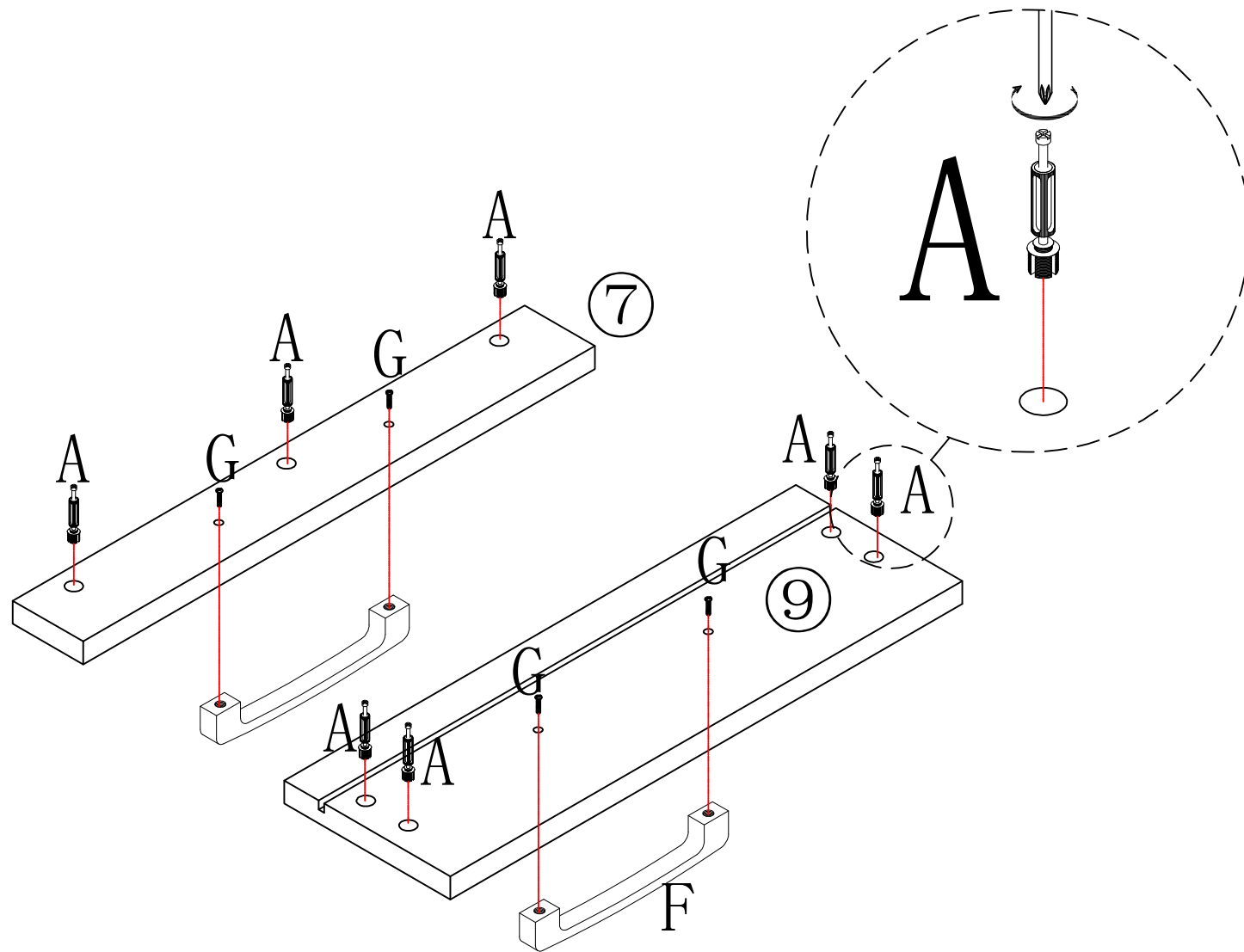
B\*10


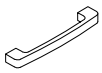

⑥



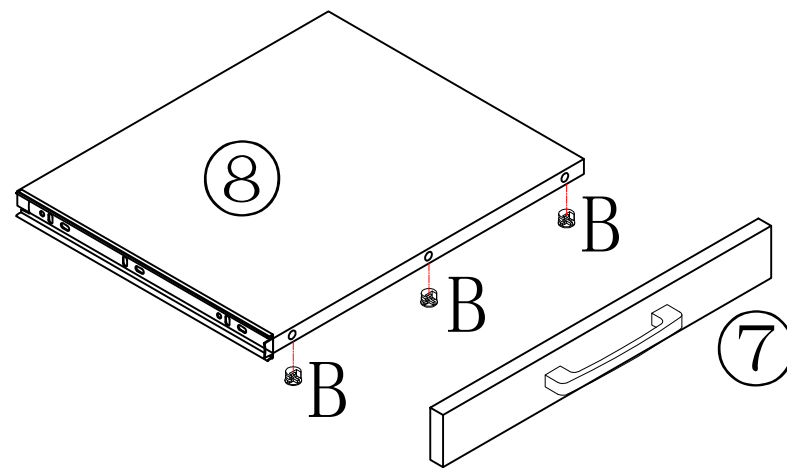
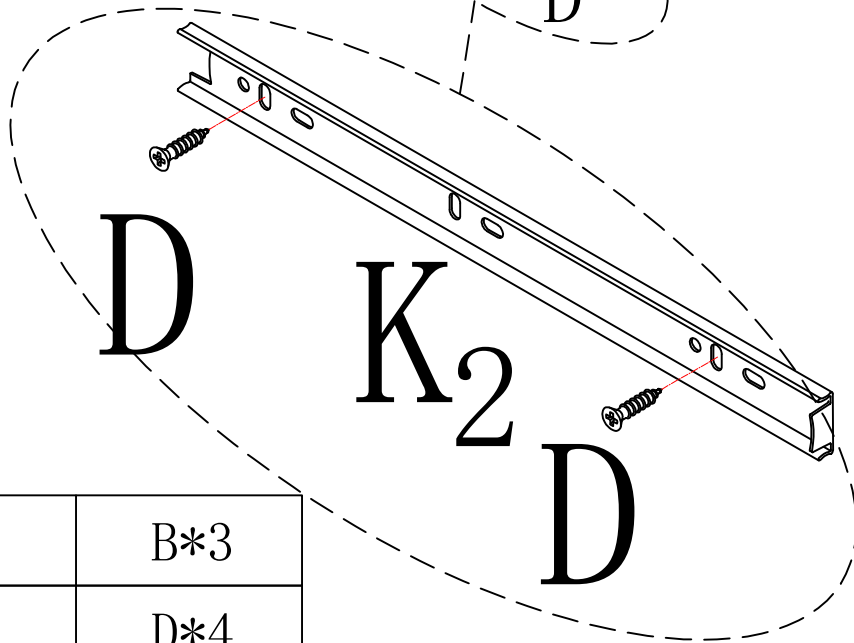
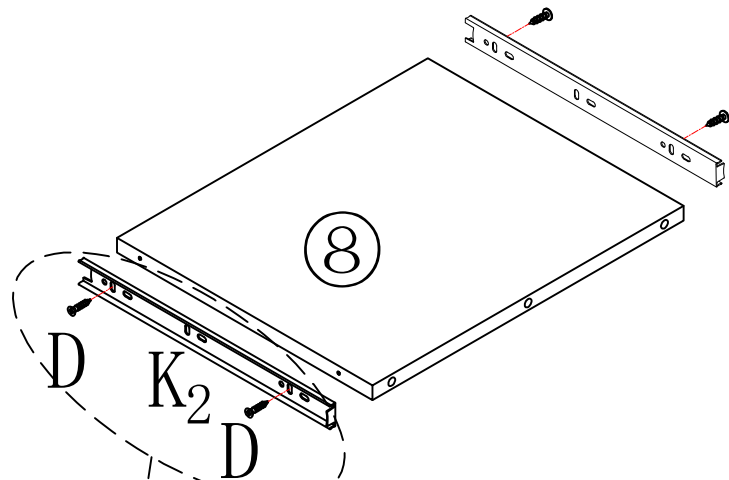
	D*8
	K <sub>1</sub> *4

7






	A*7
	F*2
	G*4

8

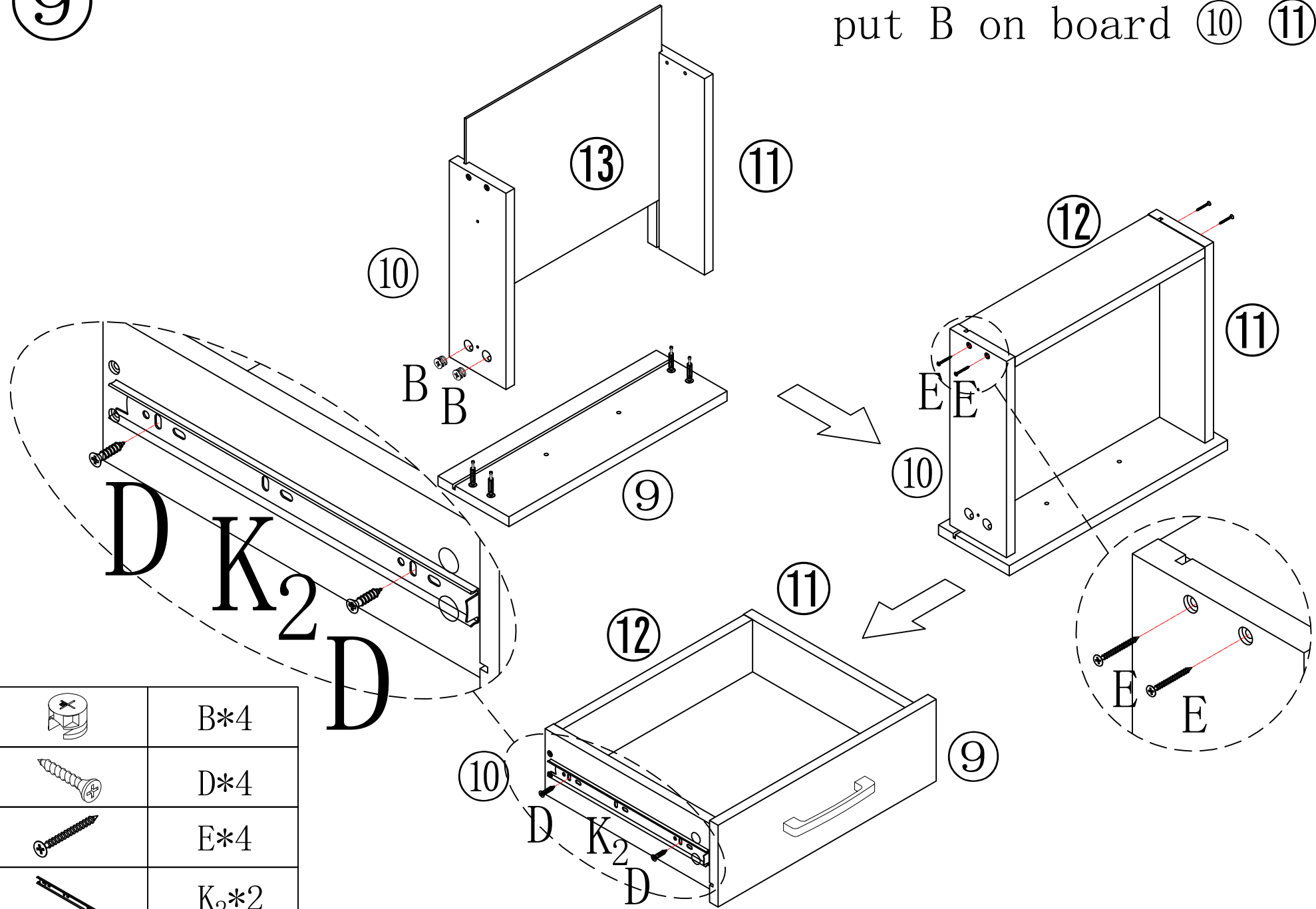






put B on board ⑧

	B*3
	D*4
	K <sub>2</sub> *2

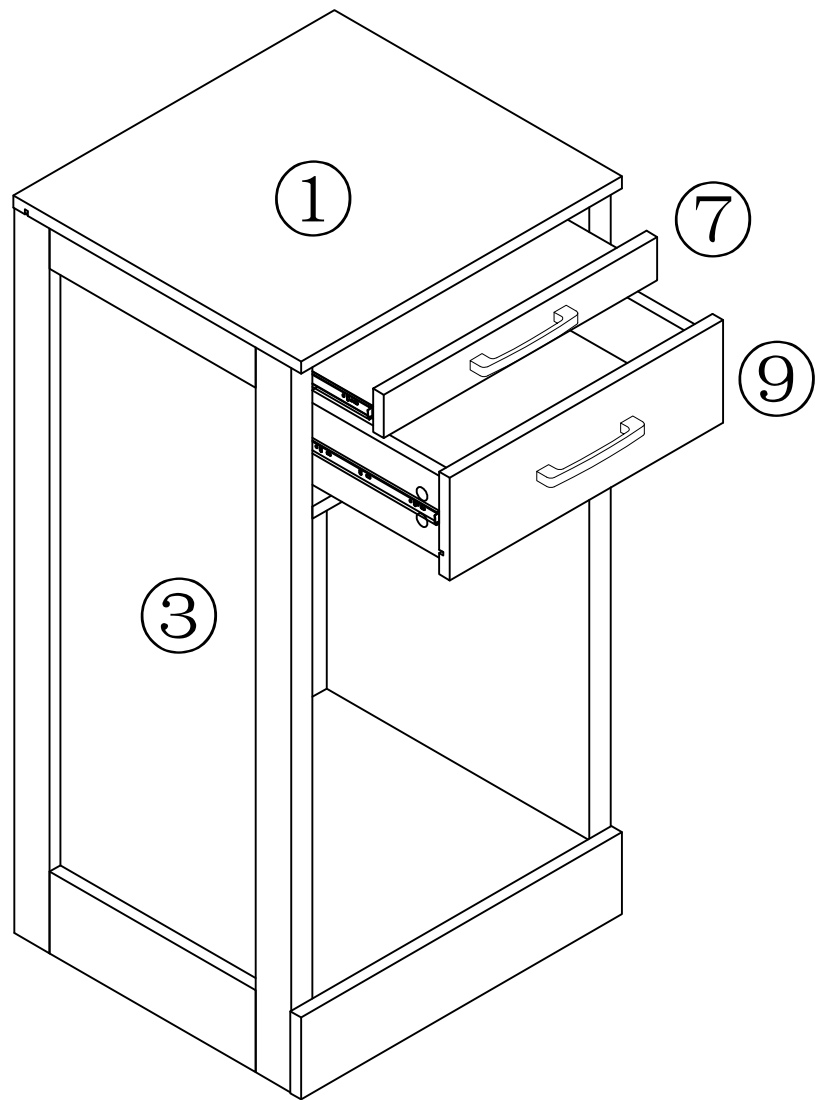
9

put B on board 10 11

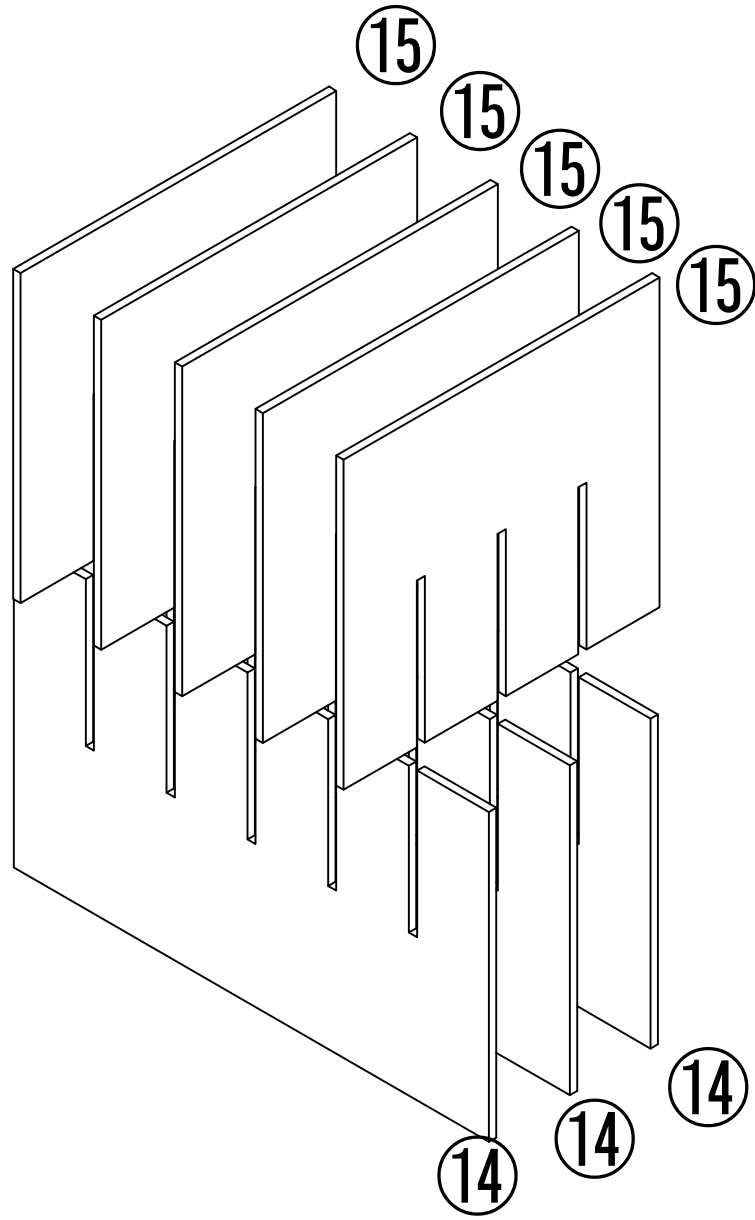


	B*4
	D*4
	E*4
	K <sub>2</sub> *2

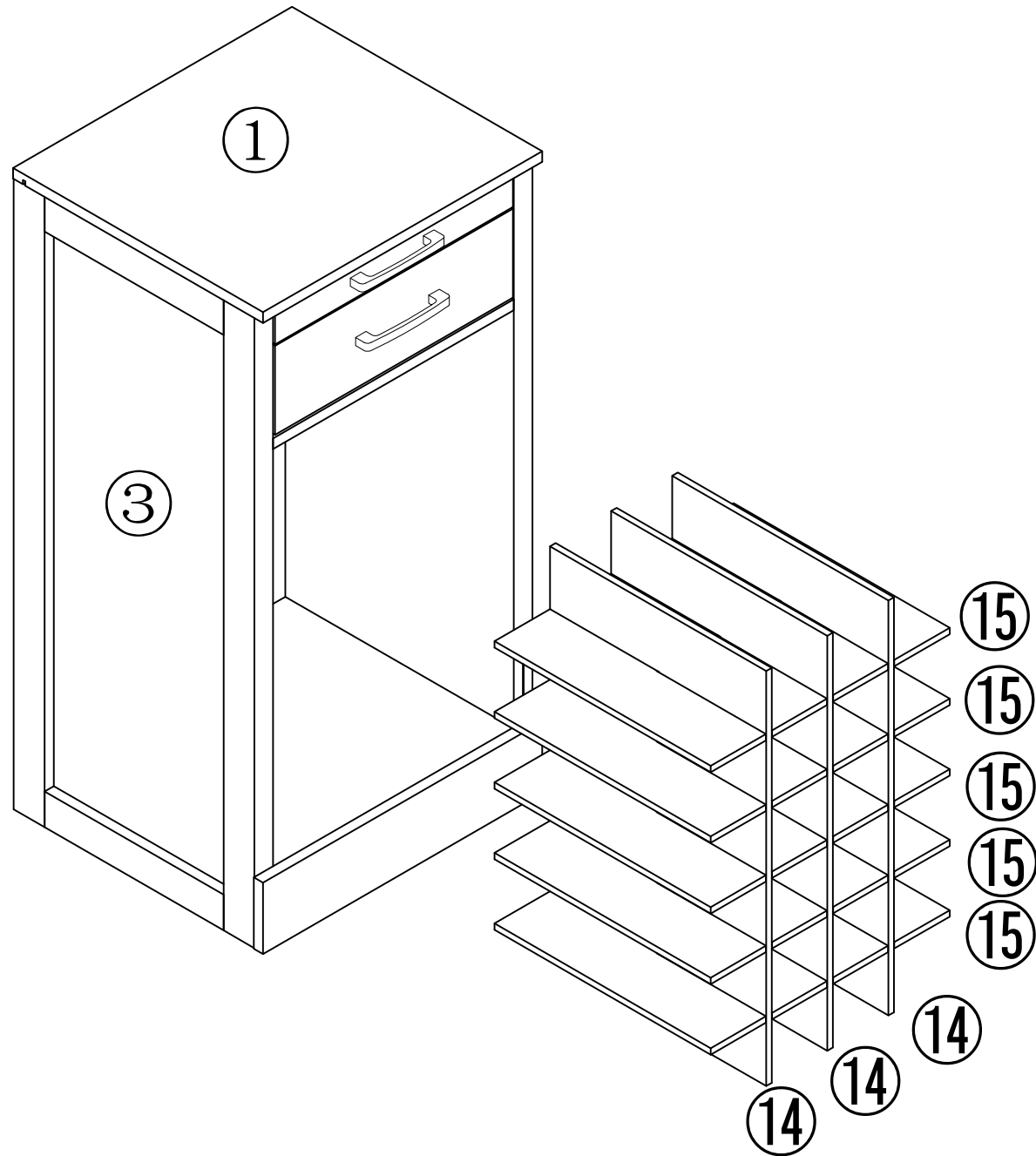
10



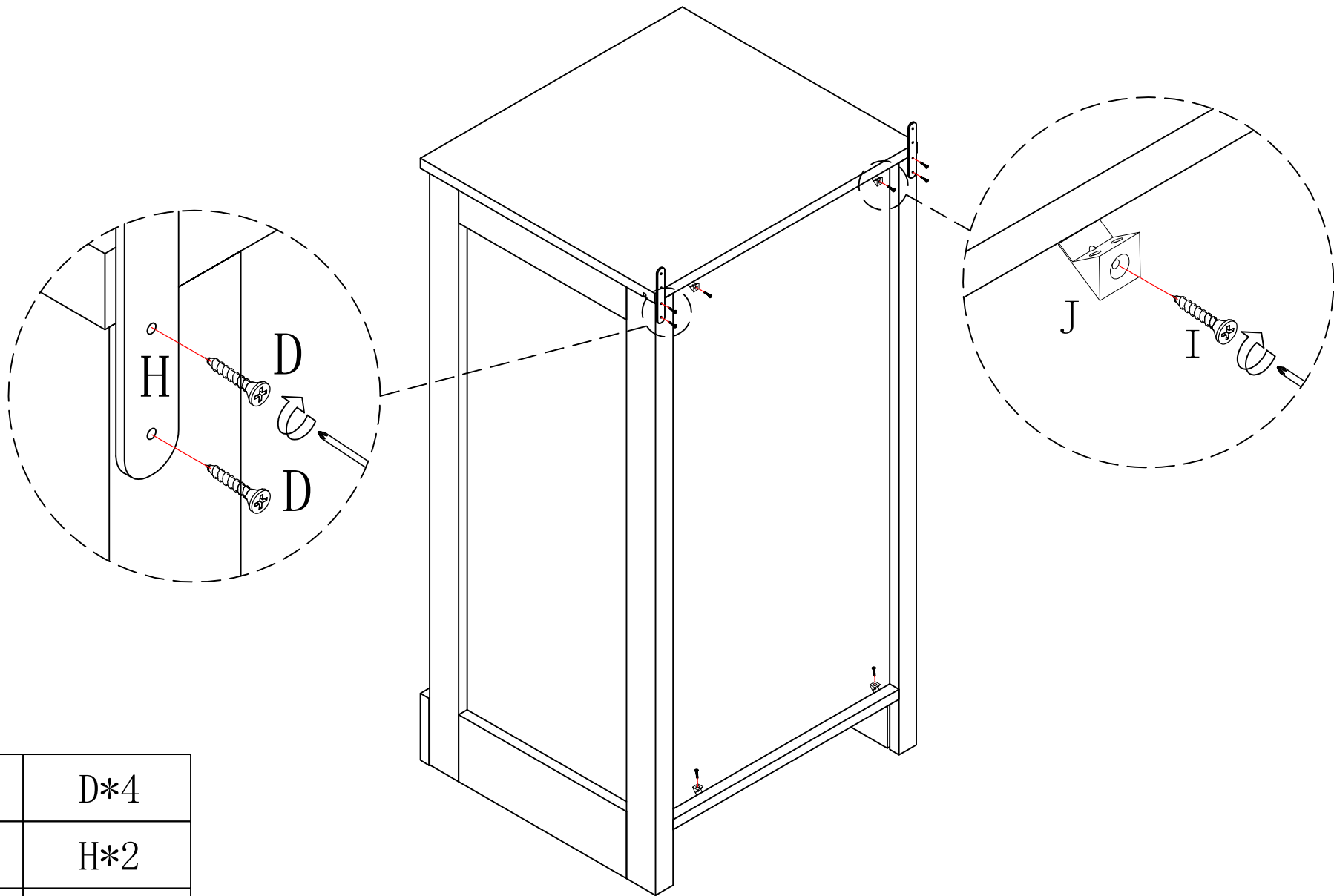
11




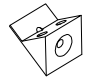


12

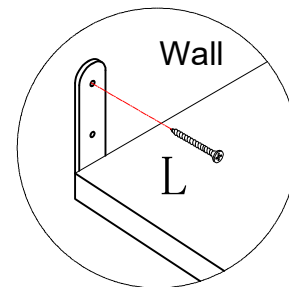
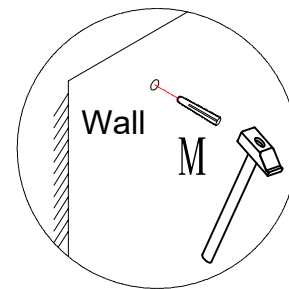
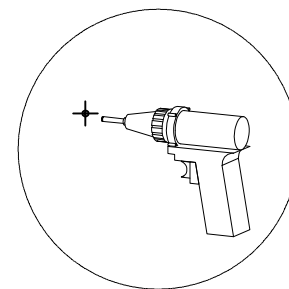
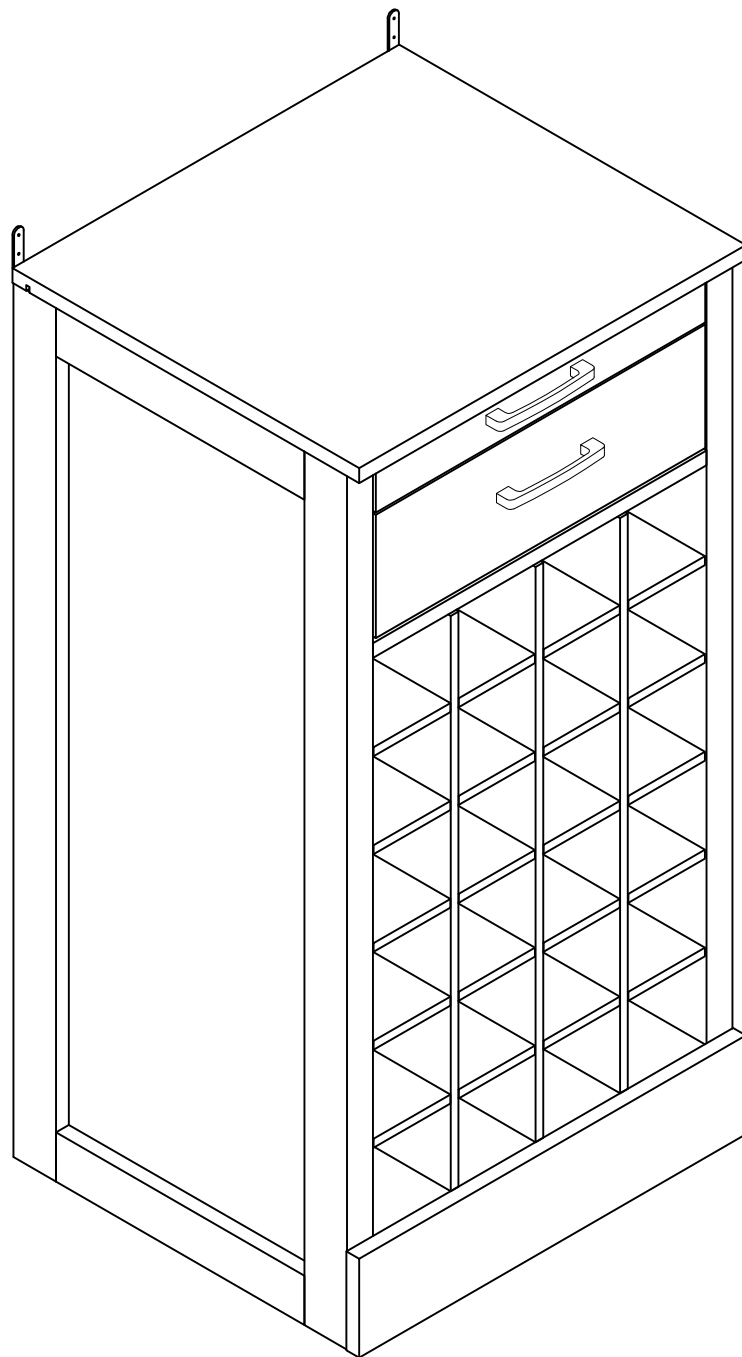




13



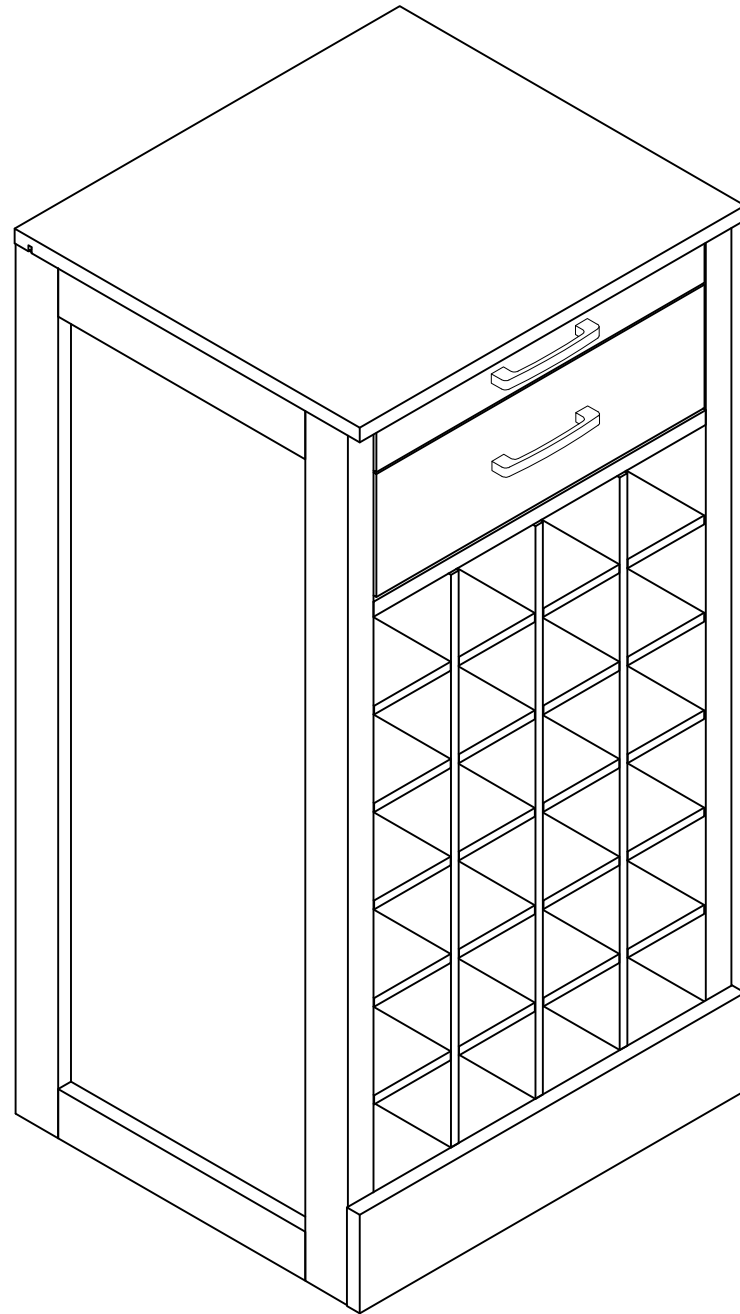
	D*4
	H*2
	I*4
	J*4

14

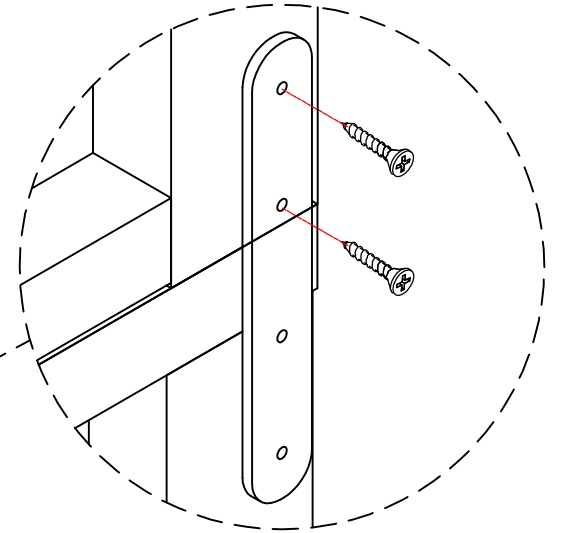
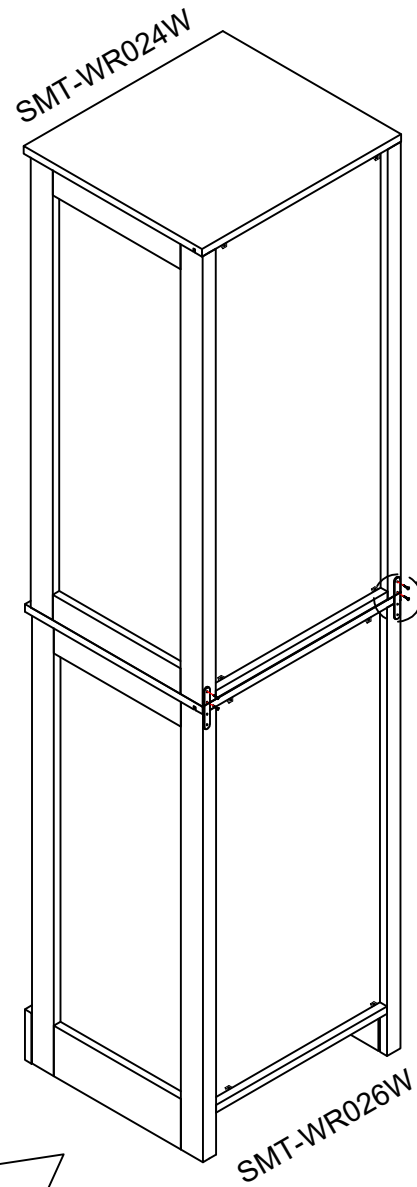
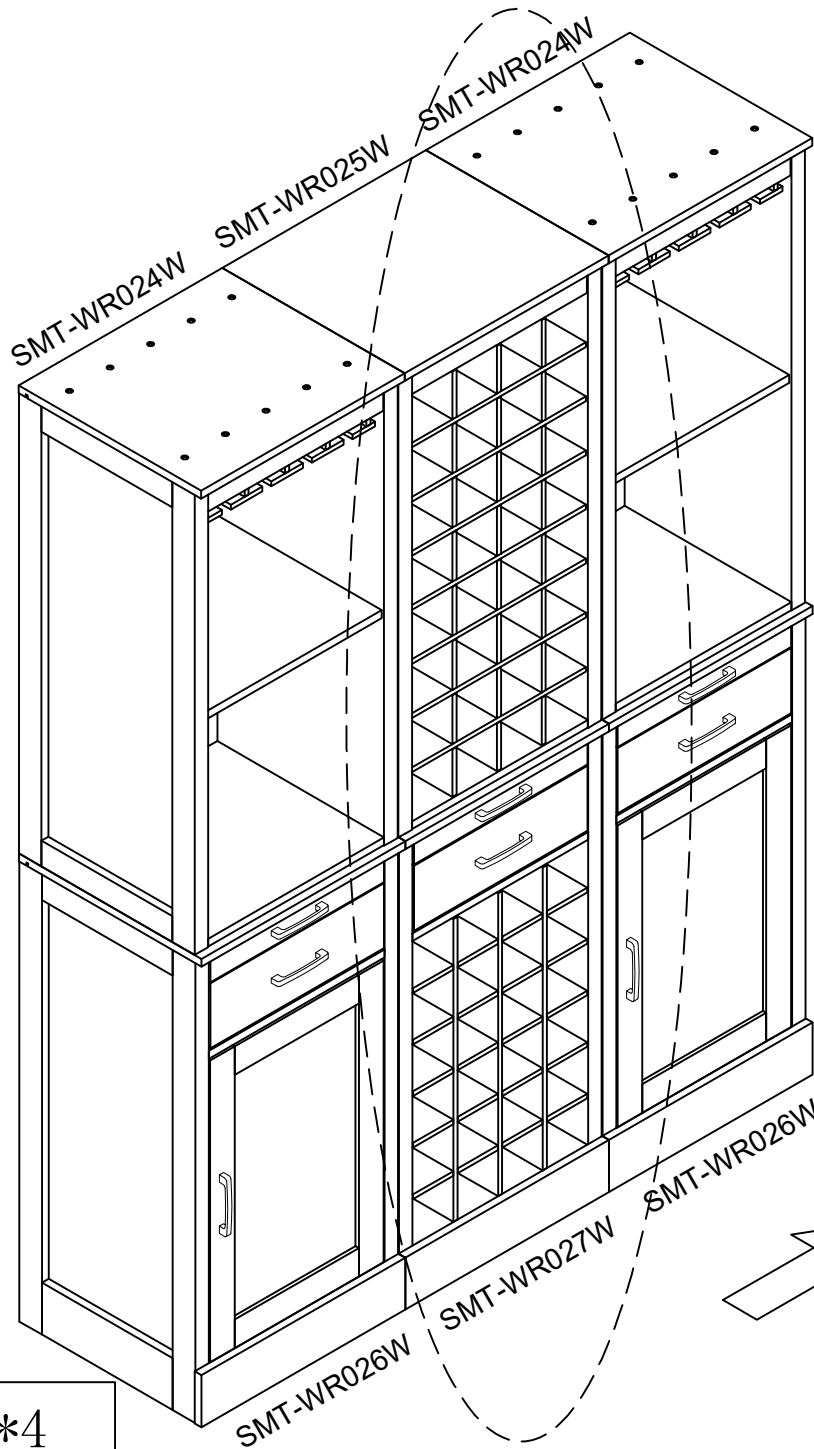


	L*2
	M*2

Please install tip-proof fitting.



END



D\*4