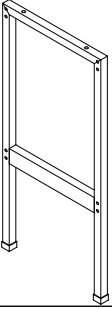
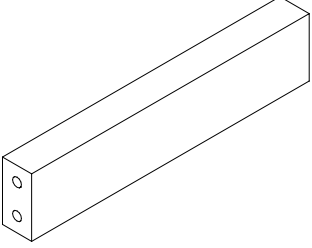
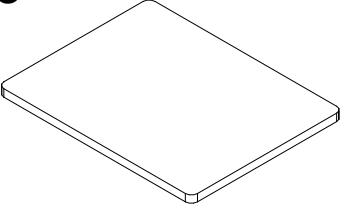
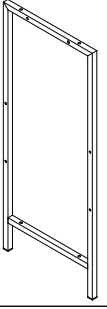
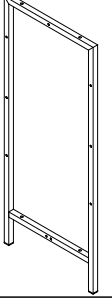
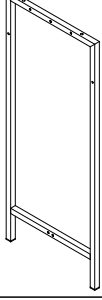
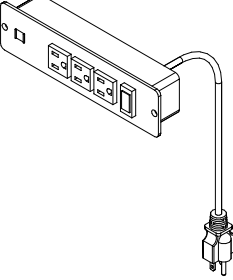
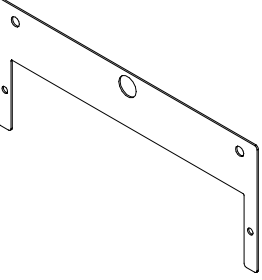
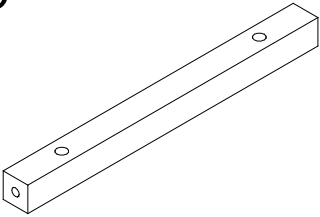
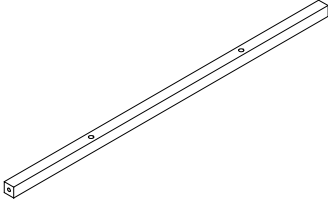
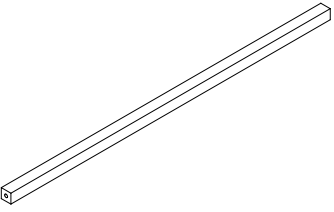
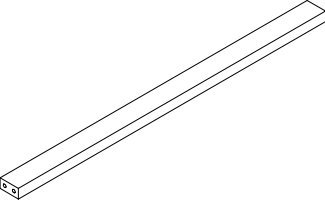
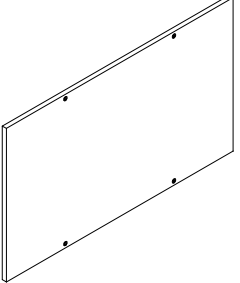

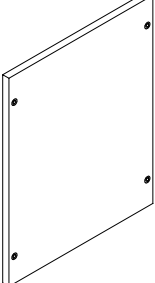
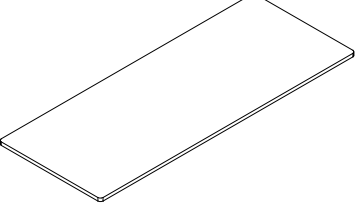
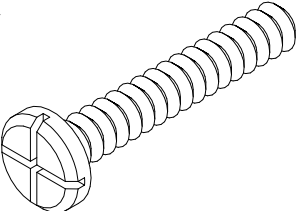
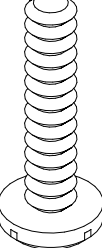
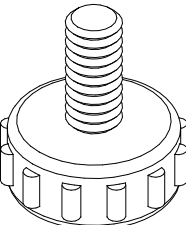
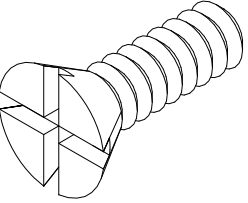
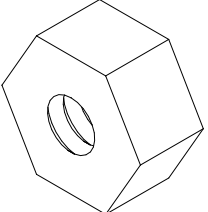
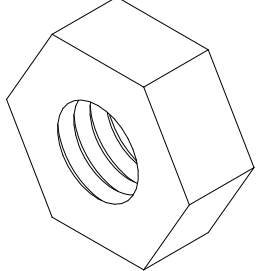
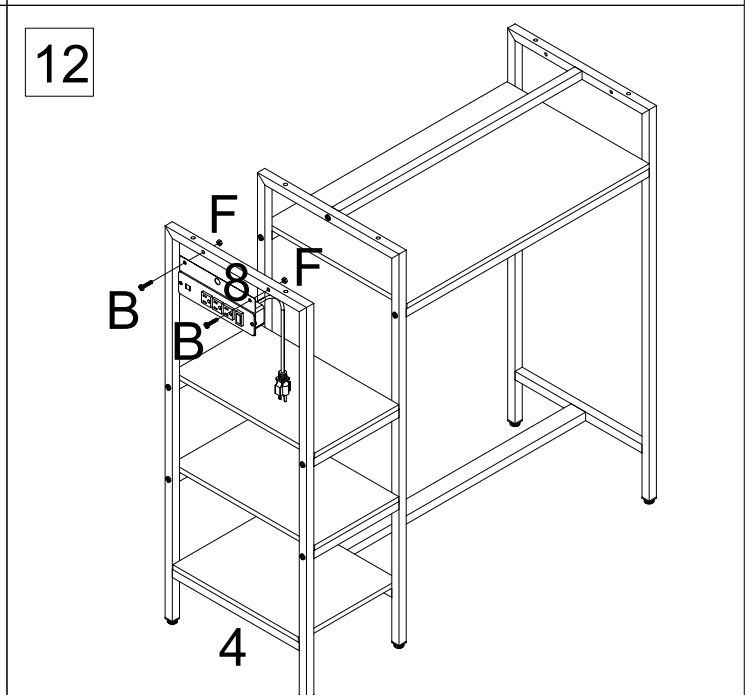
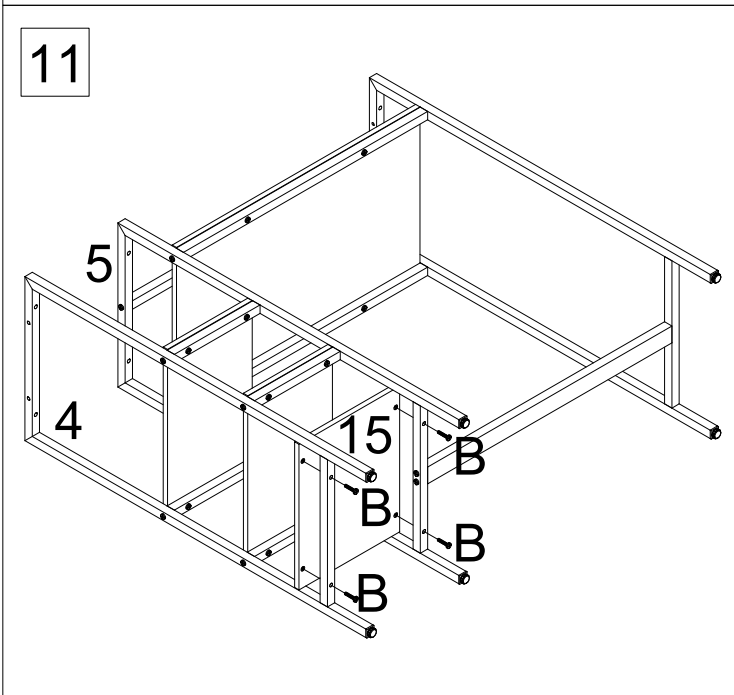
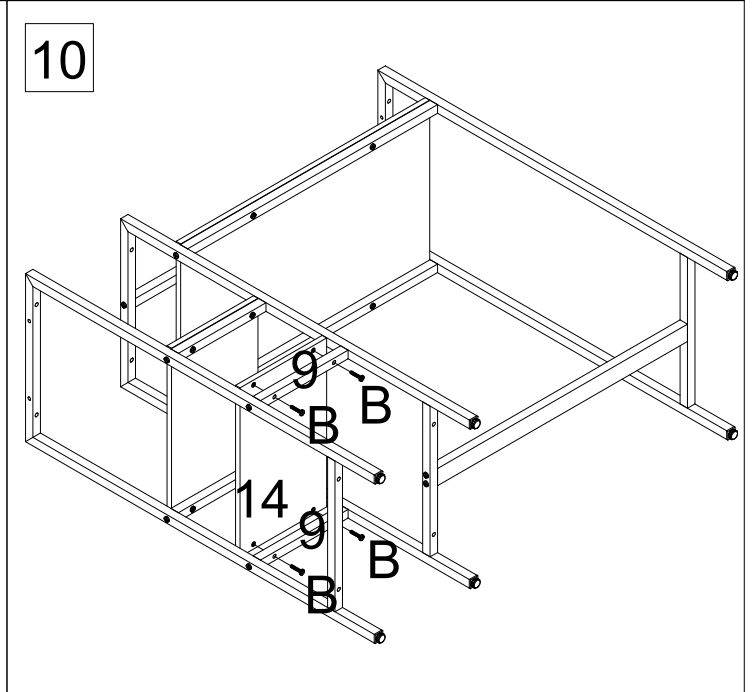
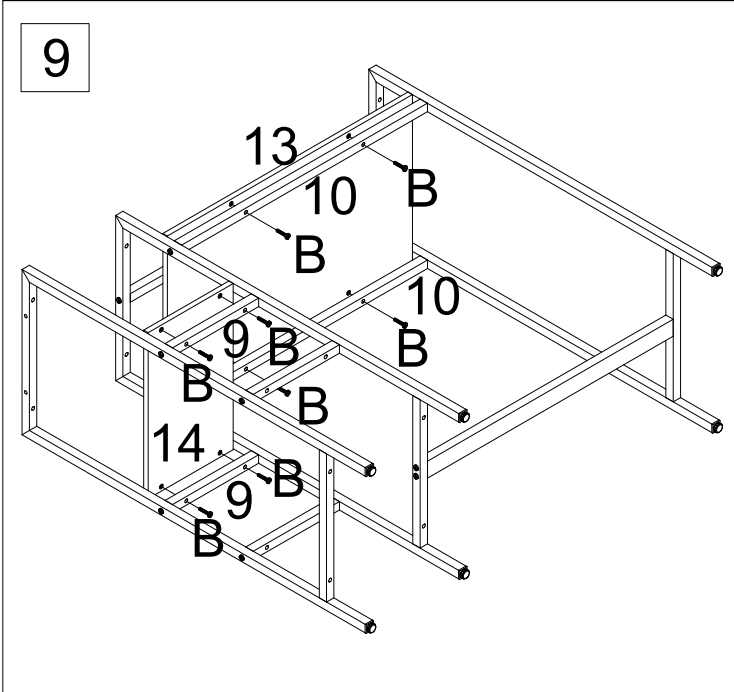
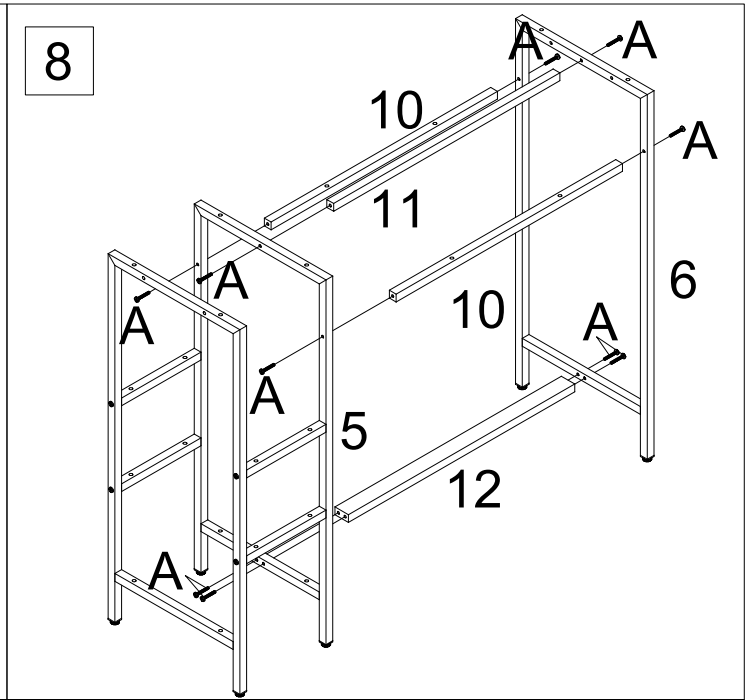
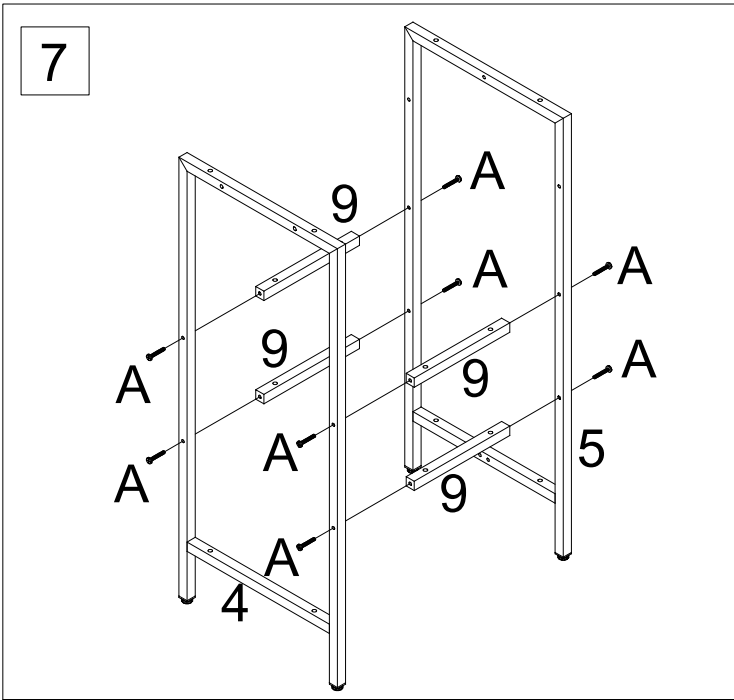


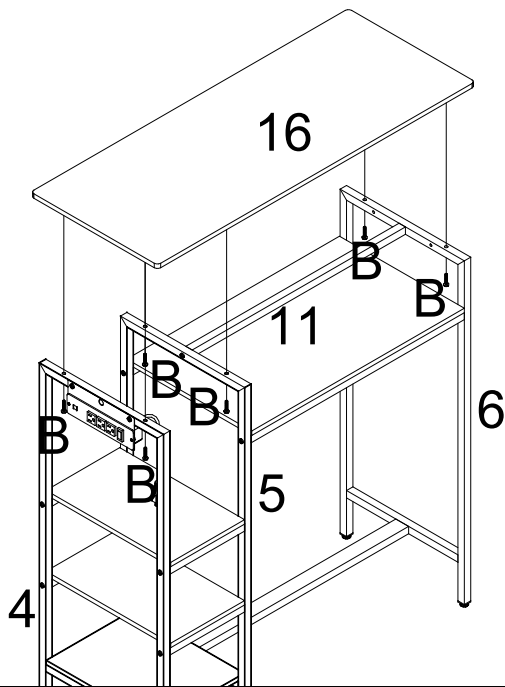
Assembly Instructions

Attention: Do not tighten the screws until you have completed setp assembly.

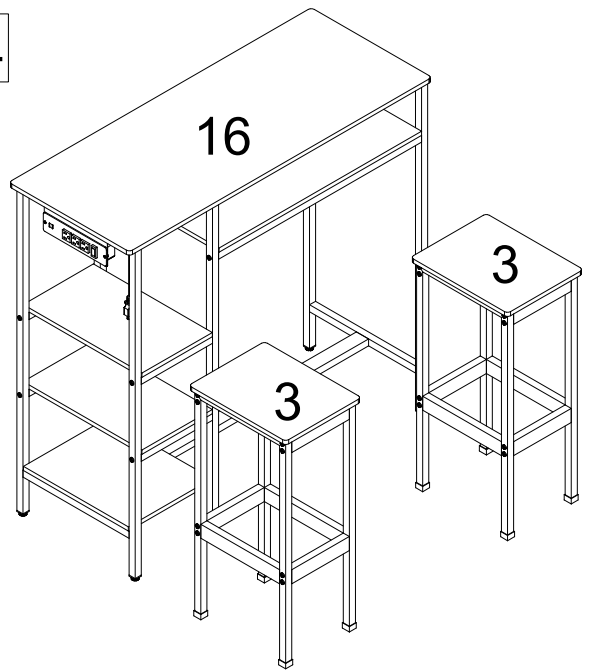
| | | | |
|---|--|--|---|
| 1  X4 | 2  X8 | 3  X2 | 4  X1 |
| 5  X1 | 6  X1 | 7  X1 | 8  X1 |
| 9  X4 | 10  X2 | 11  X1 | 12  X1 |
| 13  X1 | 14  X2 | 15  X1 | 16  X1 |
| A  M6x35 X50 | B  M6x28 X32 | C  X6 | D  M4x10 X2 |
| E  M4 X2 | F  M6 X2 | | |



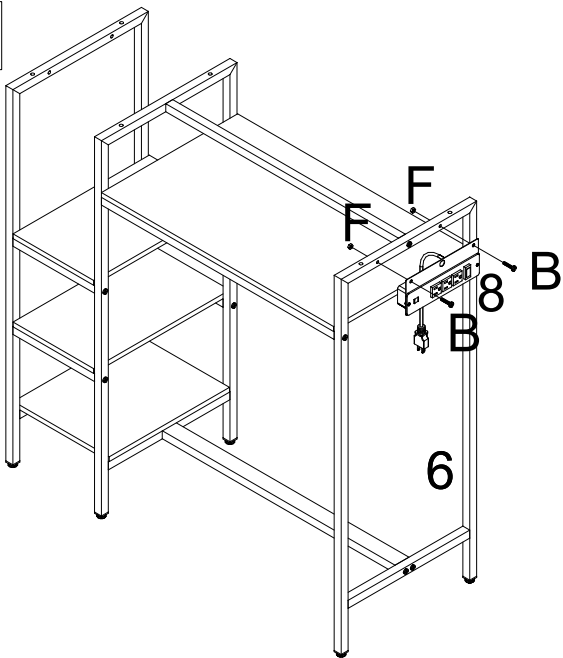
13



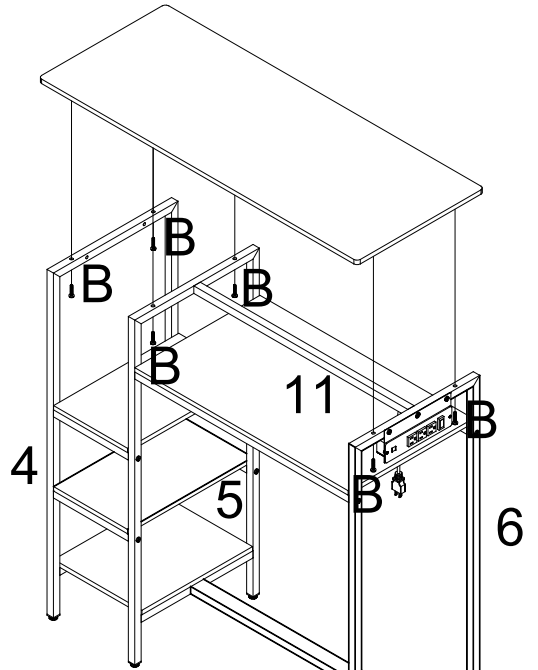
14



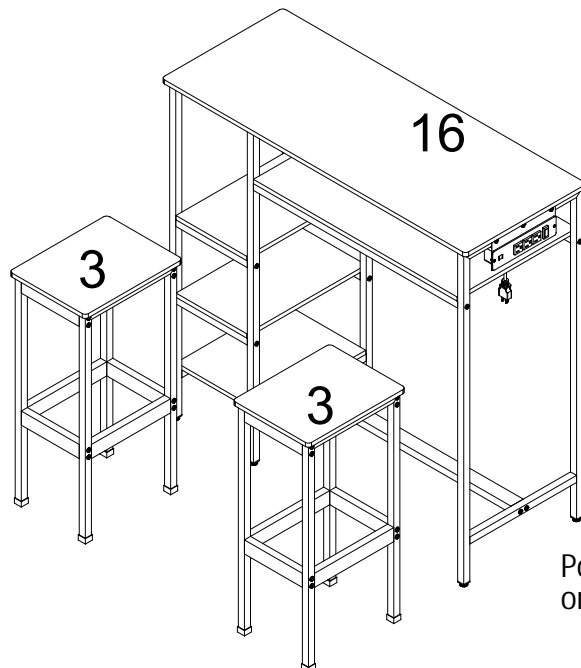
12-1



13-1



14-1



Power outlet can be installed on both sides